

US00D670056S

(12) **United States Design Patent**
Ventress et al.

(10) **Patent No.:** **US D670,056 S**
(45) **Date of Patent:** **** Oct. 30, 2012**

(54) **PART OF A VACUUM CLEANER**

(75) Inventors: **Sean Ventress**, Malmesbury (GB);
James Dyson, Malmesbury (GB); **Peter**
David Gammack, Malmesbury (GB)

(73) Assignee: **Dyson Limited**, Malmesbury (GB)

(**) Term: **14 Years**

(21) Appl. No.: **29/397,661**

(22) Filed: **Jul. 19, 2011**

(30) **Foreign Application Priority Data**

Feb. 2, 2011 (EM) 001257679-0002

(51) **LOC (9) Cl.** **15-05**

(52) **U.S. Cl.** **D32/34**

(58) **Field of Classification Search** D32/22,
D32/30, 31, 34; 15/347, 350-353, 410-412,
15/320, 414, 327.4, 340.1, 340.2, 329, 361-362,
15/415.1; 55/429, DIG. 3, 337; 301/7
See application file for complete search history.

(56) **References Cited**

U.S. PATENT DOCUMENTS

D315,043 S * 2/1991 Hayden D32/34
5,109,568 A * 5/1992 Rohn et al. 15/410
D333,023 S * 2/1993 Herron, Jr. D32/34
D334,447 S * 3/1993 Rohn D32/34

D431,335 S * 9/2000 Mehaffey et al. D32/34
D494,332 S * 8/2004 Schroter D32/34
D494,333 S * 8/2004 Schroter D32/34
7,000,288 B2 * 2/2006 Nighy 15/327.1
D543,325 S * 5/2007 Burnham D32/34
D562,512 S * 2/2008 Yoon D32/34
D565,266 S * 3/2008 Crevling et al. D32/34
D565,819 S * 4/2008 Renner D32/34
D580,116 S * 11/2008 Santiago et al. D32/34
D642,755 S * 8/2011 Fjellman D32/34
D644,385 S * 8/2011 Hare et al. D32/34
2002/0189046 A1 * 12/2002 Nighy 15/327.1

* cited by examiner

Primary Examiner — Ruth McInroy

(74) *Attorney, Agent, or Firm* — Morrison & Foerster LLP

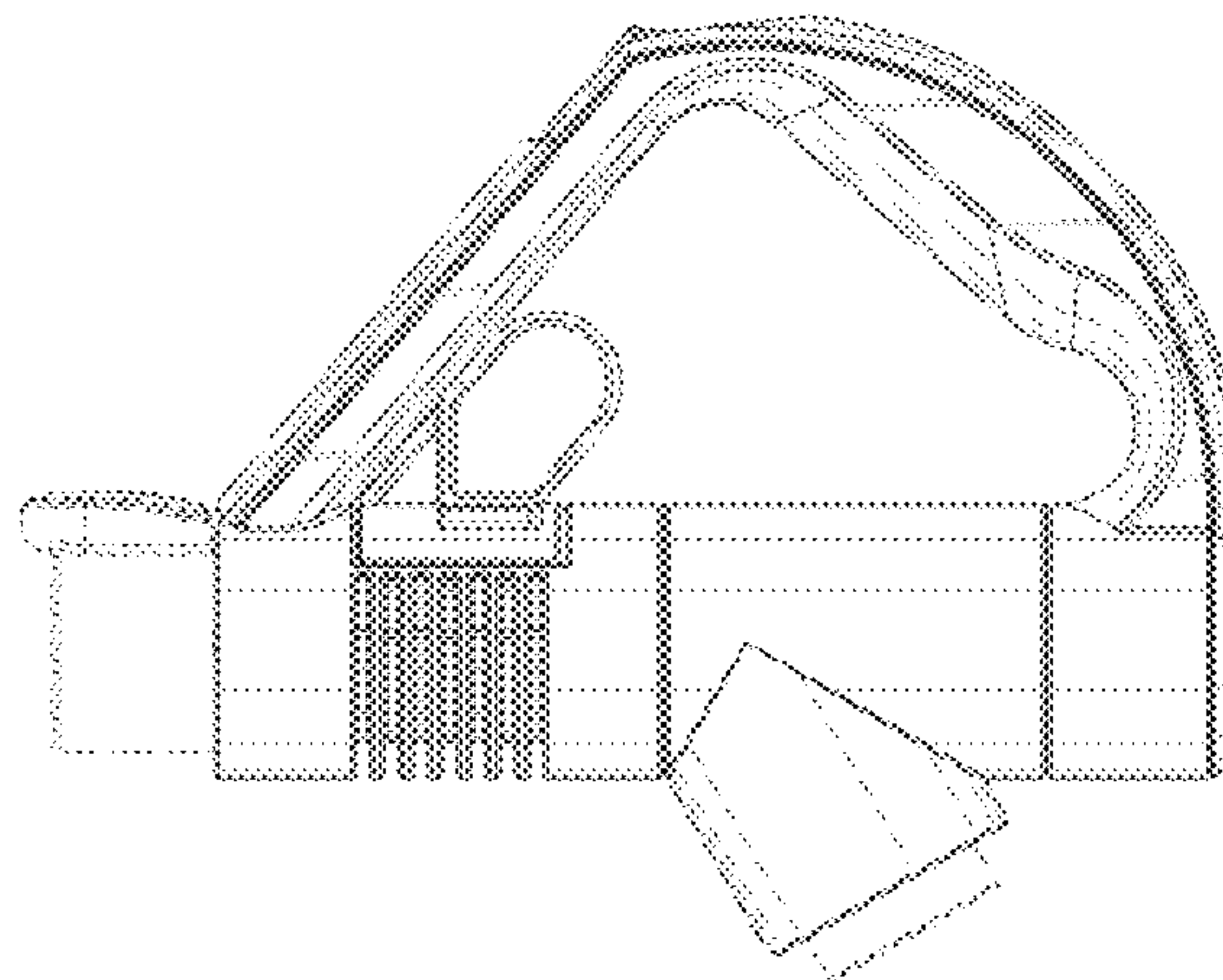
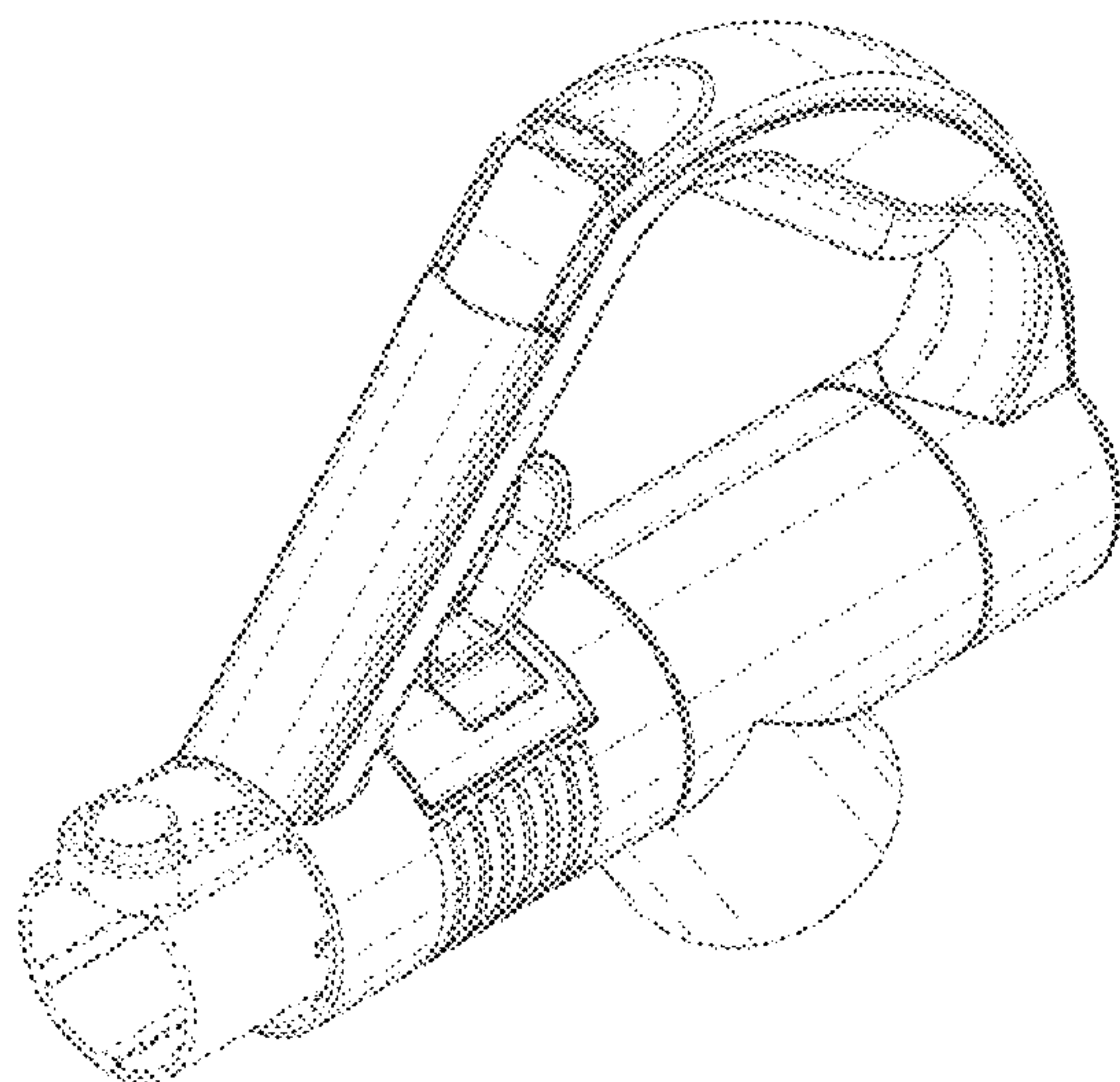
(57) **CLAIM**

We claim the ornamental design for a part of a vacuum cleaner, as shown and described.

DESCRIPTION

FIG. 1 is a perspective view of a part of a vacuum cleaner showing our new design;
FIG. 2 is a side view thereof;
FIG. 3 is a side view from the side opposite that of FIG. 2;
FIG. 4 is a front view thereof;
FIG. 5 is a rear view thereof;
FIG. 6 is a plan view thereof from above; and,
FIG. 7 is a plan view thereof from below.

1 Claim, 5 Drawing Sheets



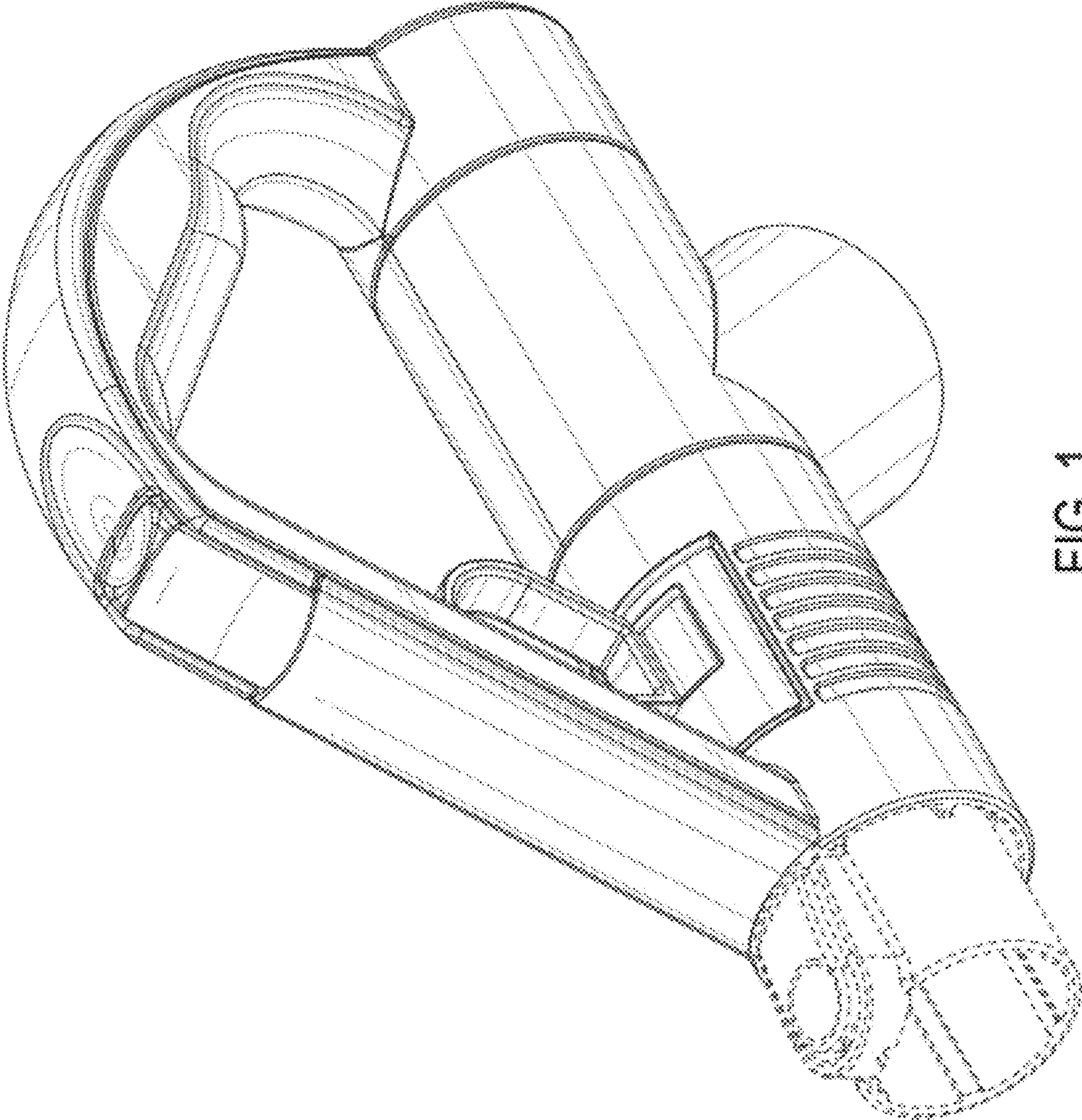


FIG. 1

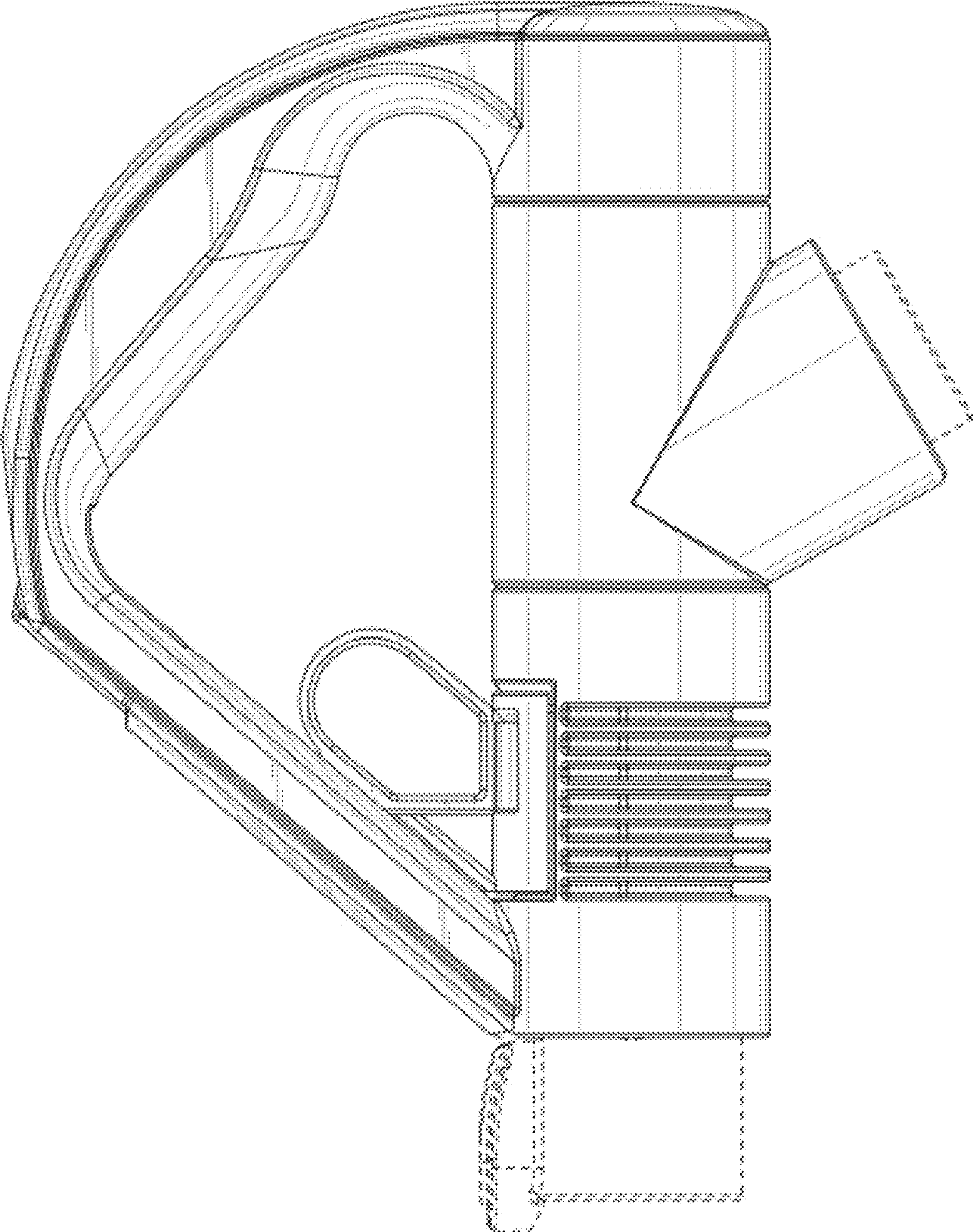


FIG. 2

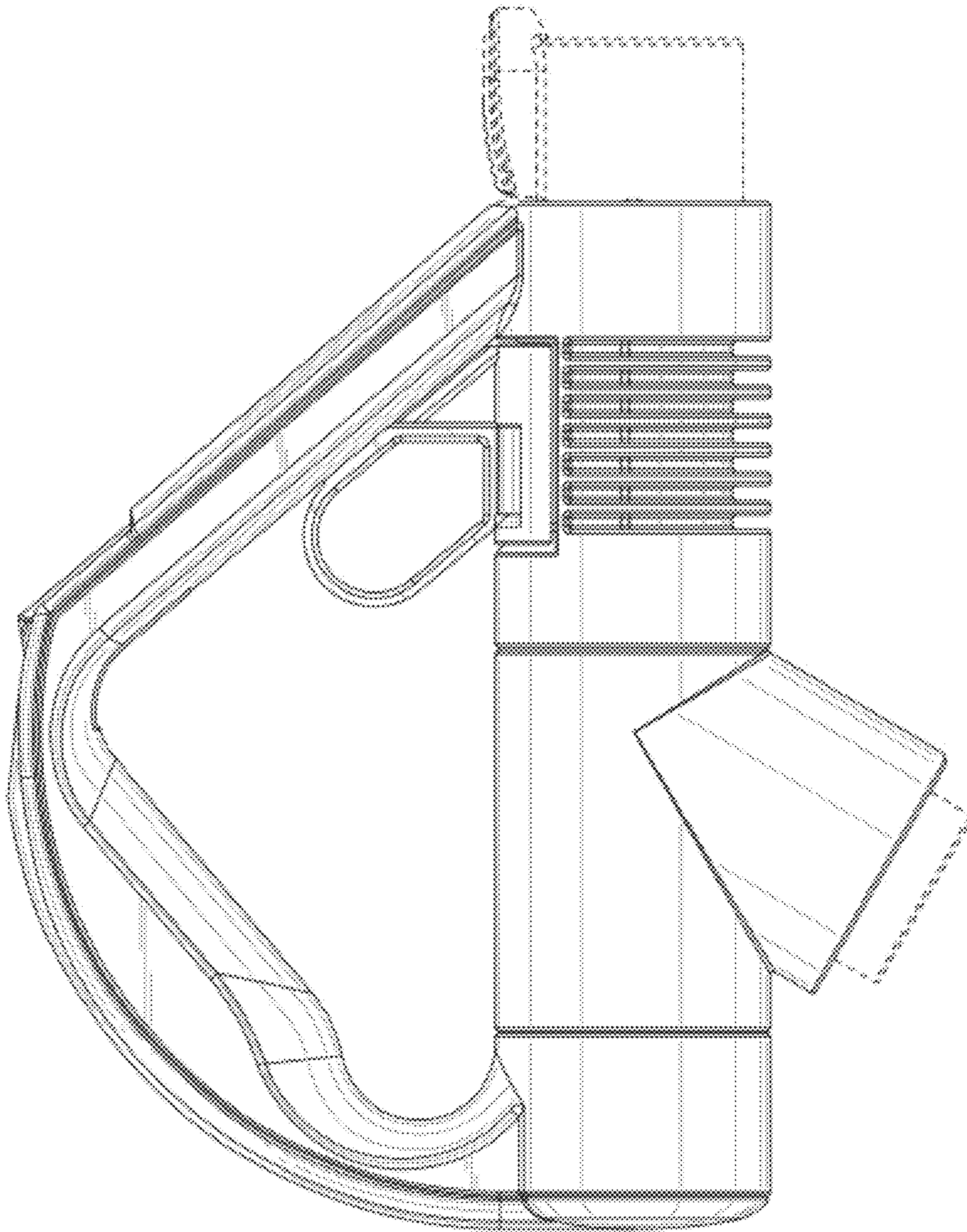


FIG. 3

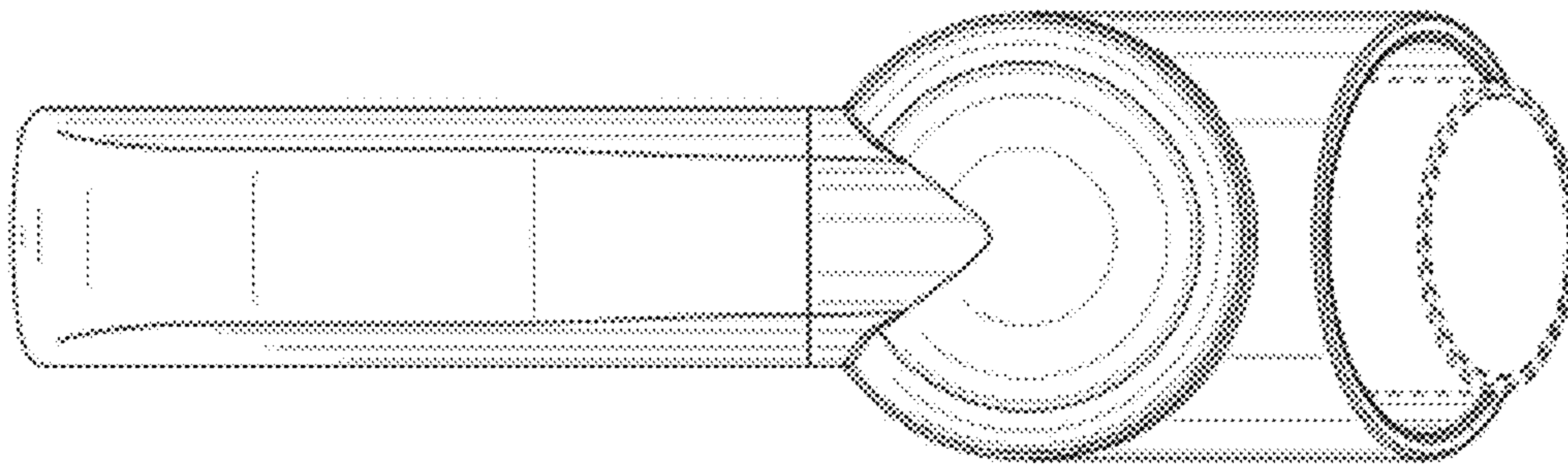


FIG. 5

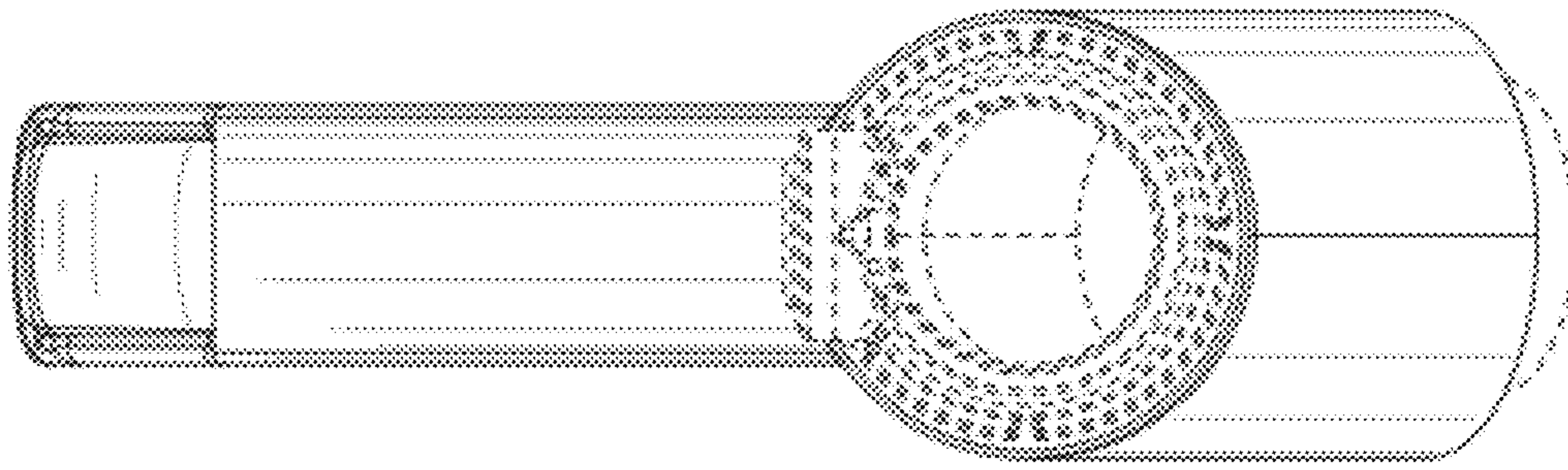


FIG. 4

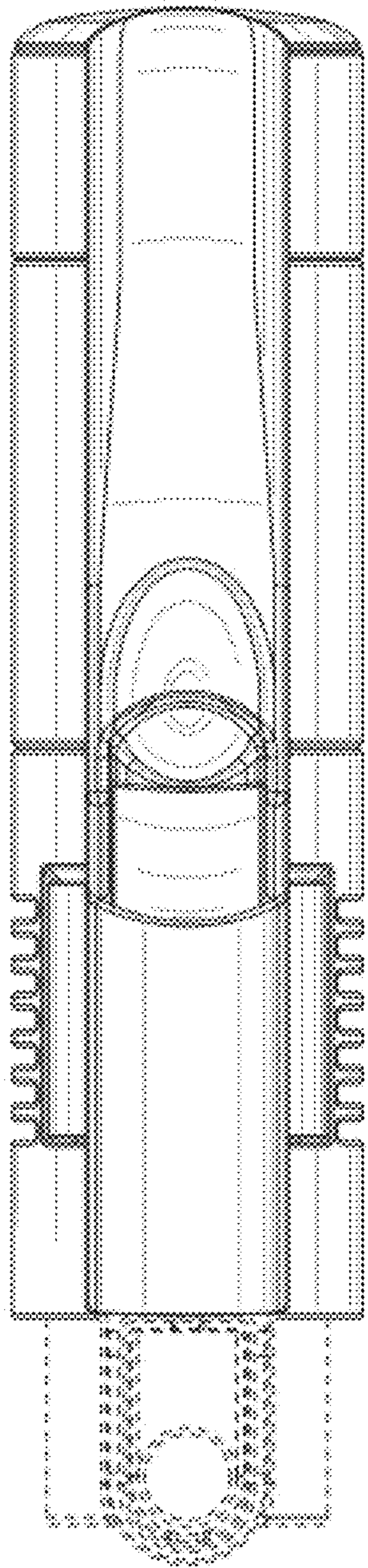


FIG. 6

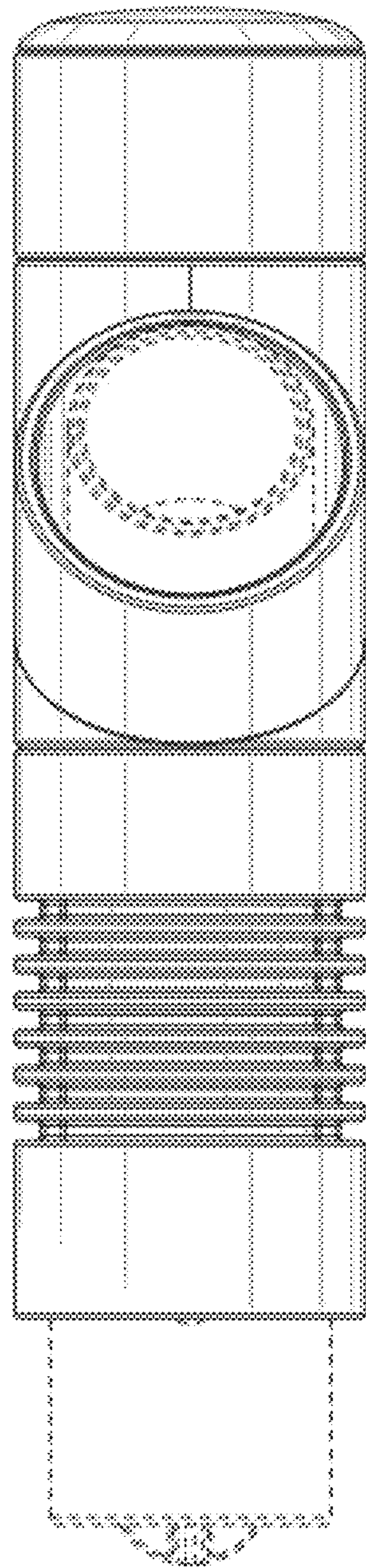


FIG. 7