



US00D670054S

(12) **United States Design Patent**  
**Dyson et al.**

(10) **Patent No.:** **US D670,054 S**  
(45) **Date of Patent:** **\*\* Oct. 30, 2012**

(54) **PART OF A VACUUM CLEANER**

(75) Inventors: **James Dyson**, Malmesbury (GB); **Peter David Gammack**, Malmesbury (GB); **Thomas James Dunning Follows**, Malmesbury (GB); **Jonathan George Marsh**, Malmesbury (GB); **Jeremy William Crouch**, Malmesbury (GB)

(73) Assignee: **Dyson Limited**, Malmesbury (GB)

(\*\*) Term: **14 Years**

(21) Appl. No.: **29/406,198**

(22) Filed: **Nov. 10, 2011**

(30) **Foreign Application Priority Data**

May 13, 2011 (EM) ..... 001863473-0003

(51) **LOC (9) Cl.** ..... **15-05**

(52) **U.S. Cl.** ..... **D32/31**

(58) **Field of Classification Search** ..... D32/31,  
D32/34, 22, 18, 21; 15/347, 353, 320, 329,  
15/344; 55/320, 337, DIG. 3, 429, 345, 459.1  
See application file for complete search history.

(56) **References Cited**

**U.S. PATENT DOCUMENTS**

D471,683	S *	3/2003	Dyson et al.	.....	D32/30
D475,820	S *	6/2003	Dyson et al.	.....	D32/22
D494,719	S *	8/2004	Rosenzweig et al.	.....	D32/31
6,989,039	B2 *	1/2006	Vuijk	.....	55/343
D518,611	S *	4/2006	Hare	.....	D32/21
D520,692	S *	5/2006	Leyden	.....	D32/31
D534,324	S *	12/2006	Dyson et al.	.....	D32/22
D547,505	S *	7/2007	Carr et al.	.....	D32/31
D565,815	S *	4/2008	Dyson et al.	.....	D32/22
D566,914	S *	4/2008	Dyson et al.	.....	D32/31

D570,561	S *	6/2008	Dyson et al.	.....	D32/22
D577,163	S *	9/2008	Dyson et al.	.....	D32/21
D587,415	S *	2/2009	Dyson et al.	.....	D32/31
D594,608	S *	6/2009	Dyson et al.	.....	D32/21
D594,609	S *	6/2009	Dyson et al.	.....	D32/21
D596,360	S *	7/2009	Dyson et al.	.....	D32/22
D596,361	S *	7/2009	Dyson et al.	.....	D32/31
D609,416	S *	2/2010	Hill et al.	.....	D32/31
7,731,770	B2 *	6/2010	Strutt et al.	.....	55/337
7,815,703	B2 *	10/2010	Park	.....	55/343
7,874,040	B2 *	1/2011	Follows et al.	.....	15/347
8,032,983	B2 *	10/2011	Griffith et al.	.....	15/347
8,100,999	B2 *	1/2012	Ashbee et al.	.....	55/343
2004/0068827	A1 *	4/2004	Dyson	.....	15/353
2007/0234687	A1 *	10/2007	Ni	.....	55/337
2009/0113663	A1 *	5/2009	Follows et al.	.....	15/347
2010/0132319	A1 *	6/2010	Ashbee et al.	.....	55/429
2010/0218338	A1 *	9/2010	McLeod	.....	15/347
2010/0242221	A1 *	9/2010	Horne et al.	.....	15/347

\* cited by examiner

*Primary Examiner* — Ruth McInroy

(74) *Attorney, Agent, or Firm* — Morrison & Foerster LLP

(57) **CLAIM**

We claim the ornamental design for a part of a vacuum cleaner, as shown and described.

**DESCRIPTION**

FIG. 1 is a perspective view of a part of a vacuum cleaner showing our new design;

FIG. 2 is a left side view thereof;

FIG. 3 is a right side view thereof;

FIG. 4 is a front view thereof;

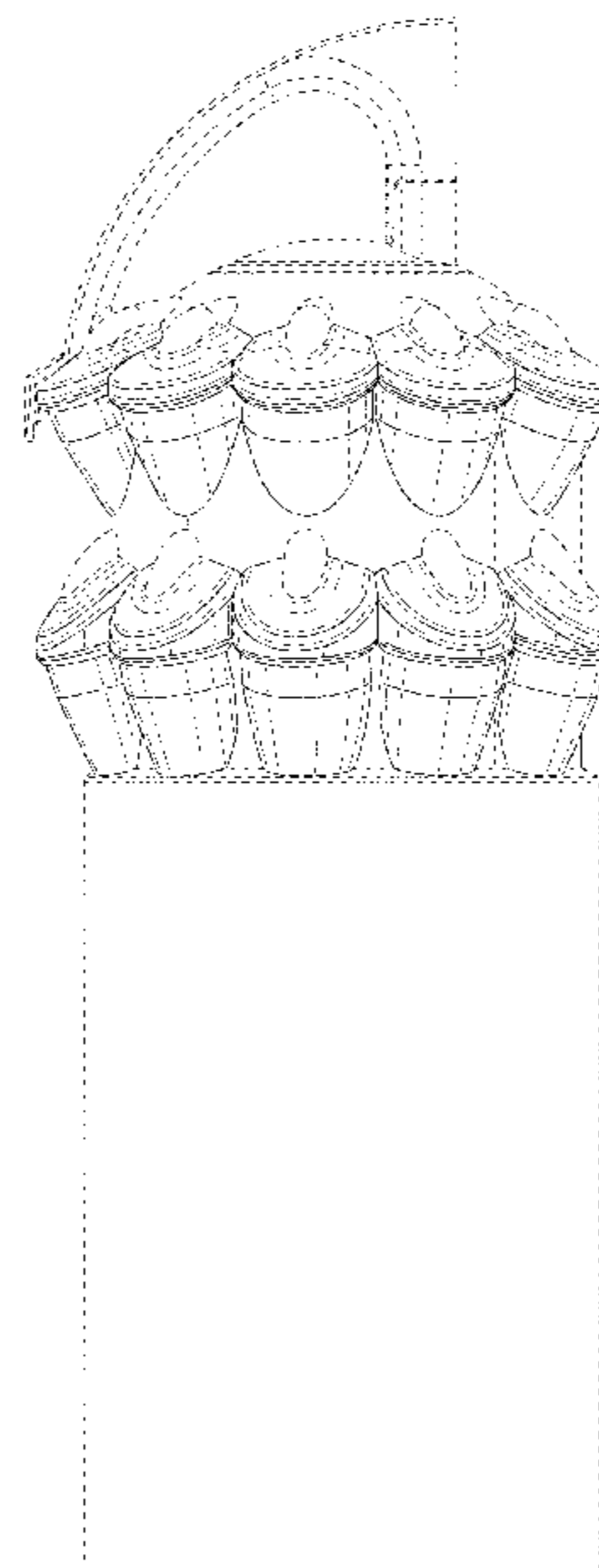
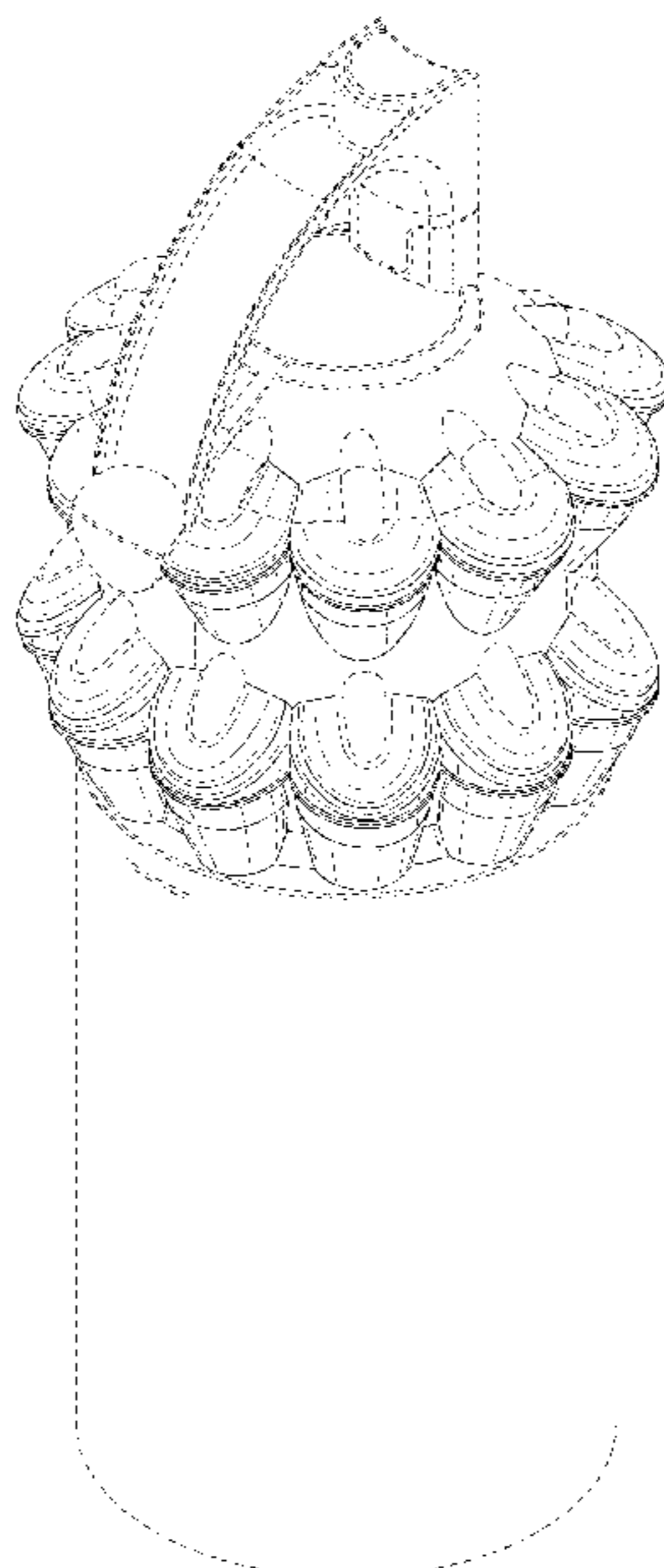
FIG. 5 is a rear view thereof;

FIG. 6 is a top view thereof; and,

FIG. 7 is a bottom view thereof.

The details shown in broken lines form no part of the claimed design.

**1 Claim, 7 Drawing Sheets**



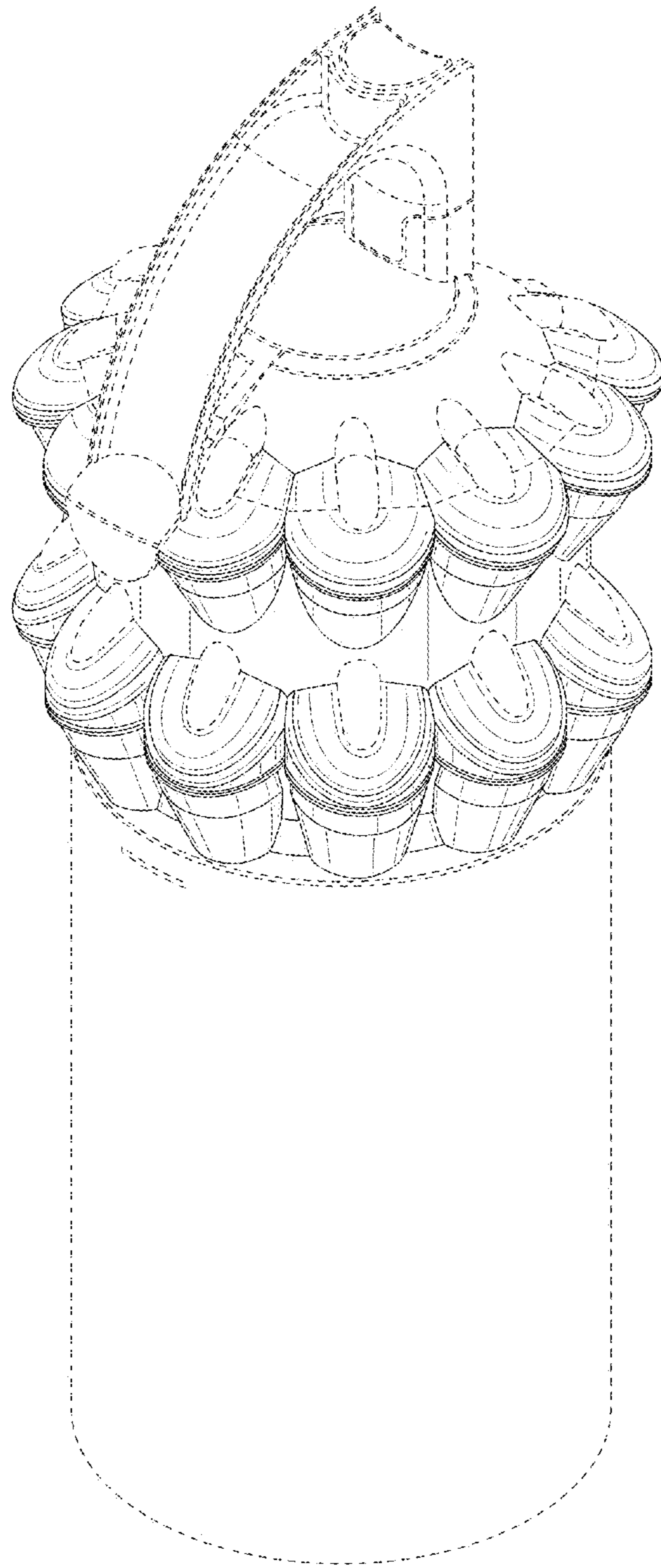


FIG. 1

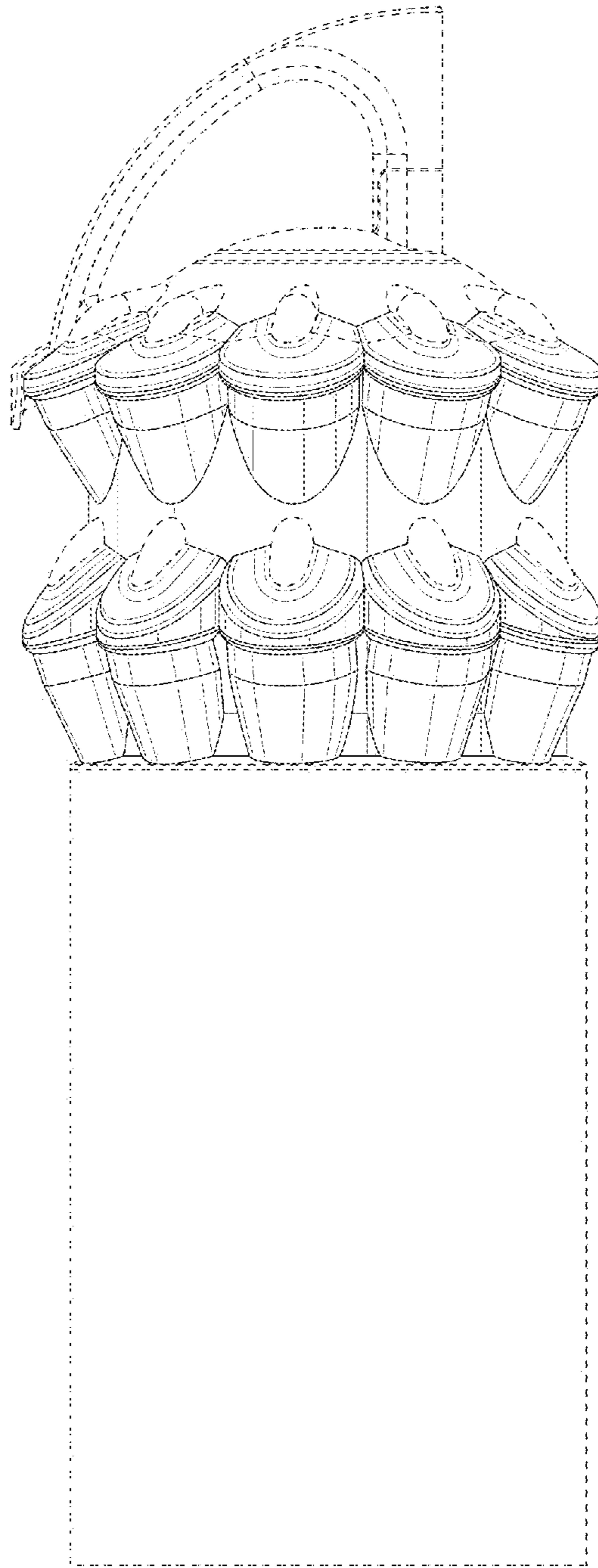


FIG. 2

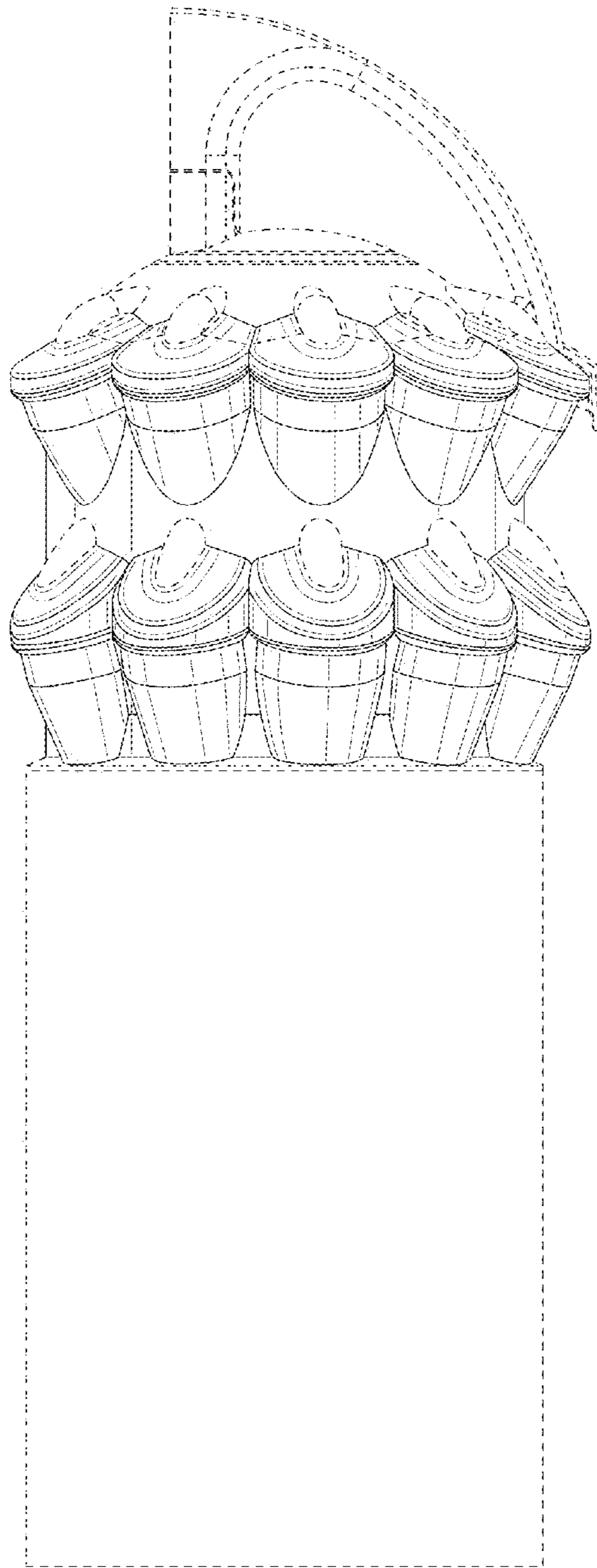


FIG. 3

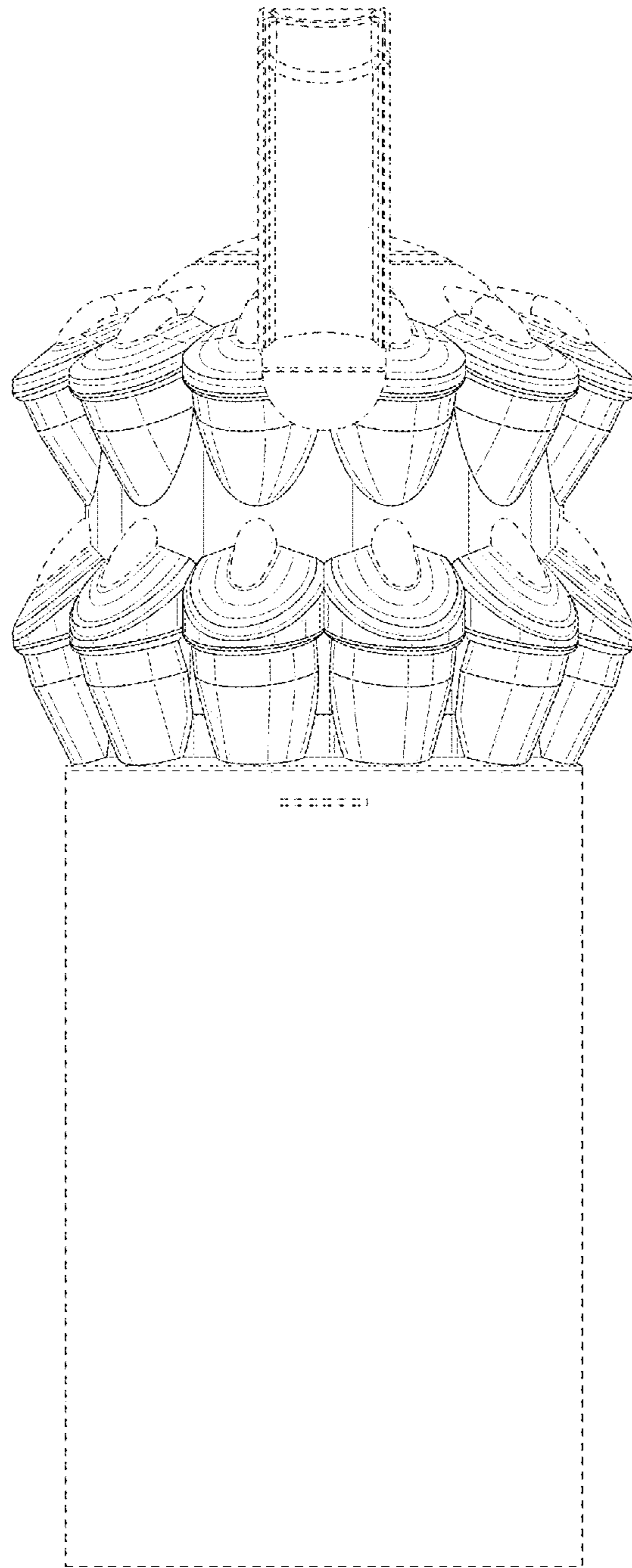


FIG. 4

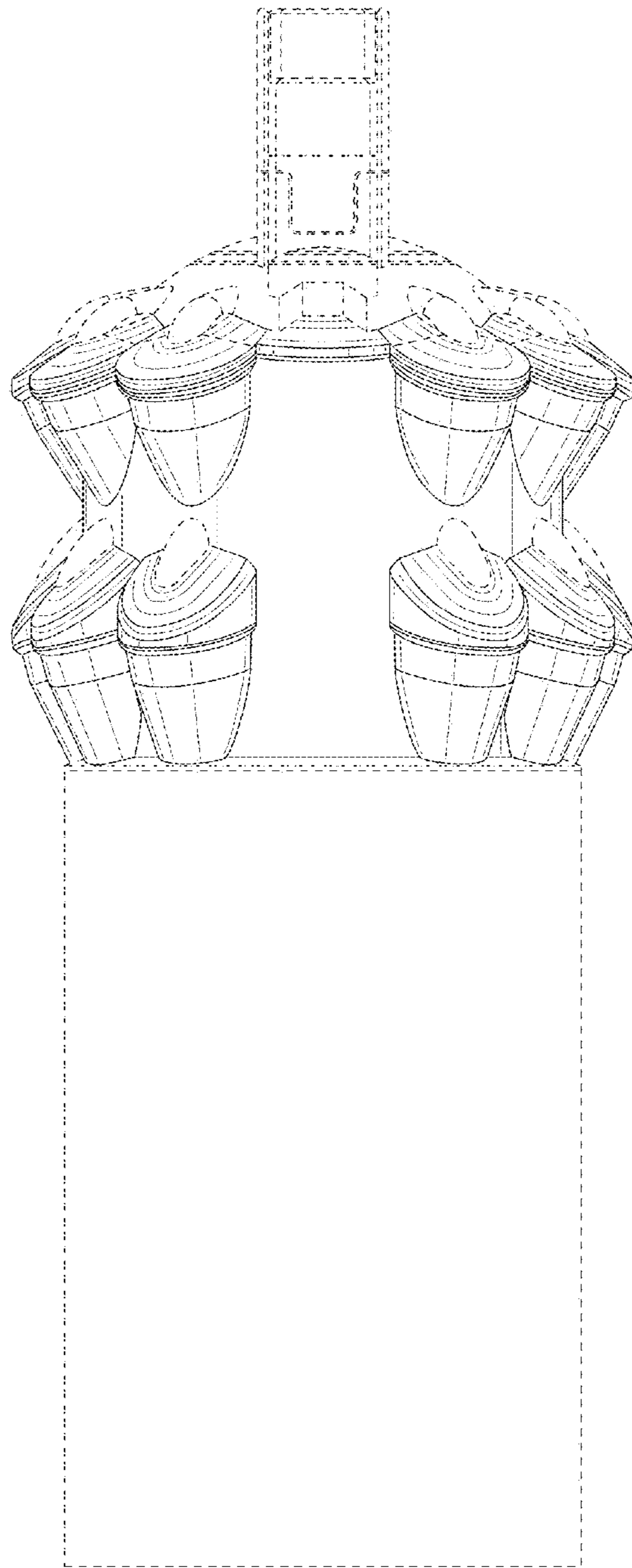


FIG. 5

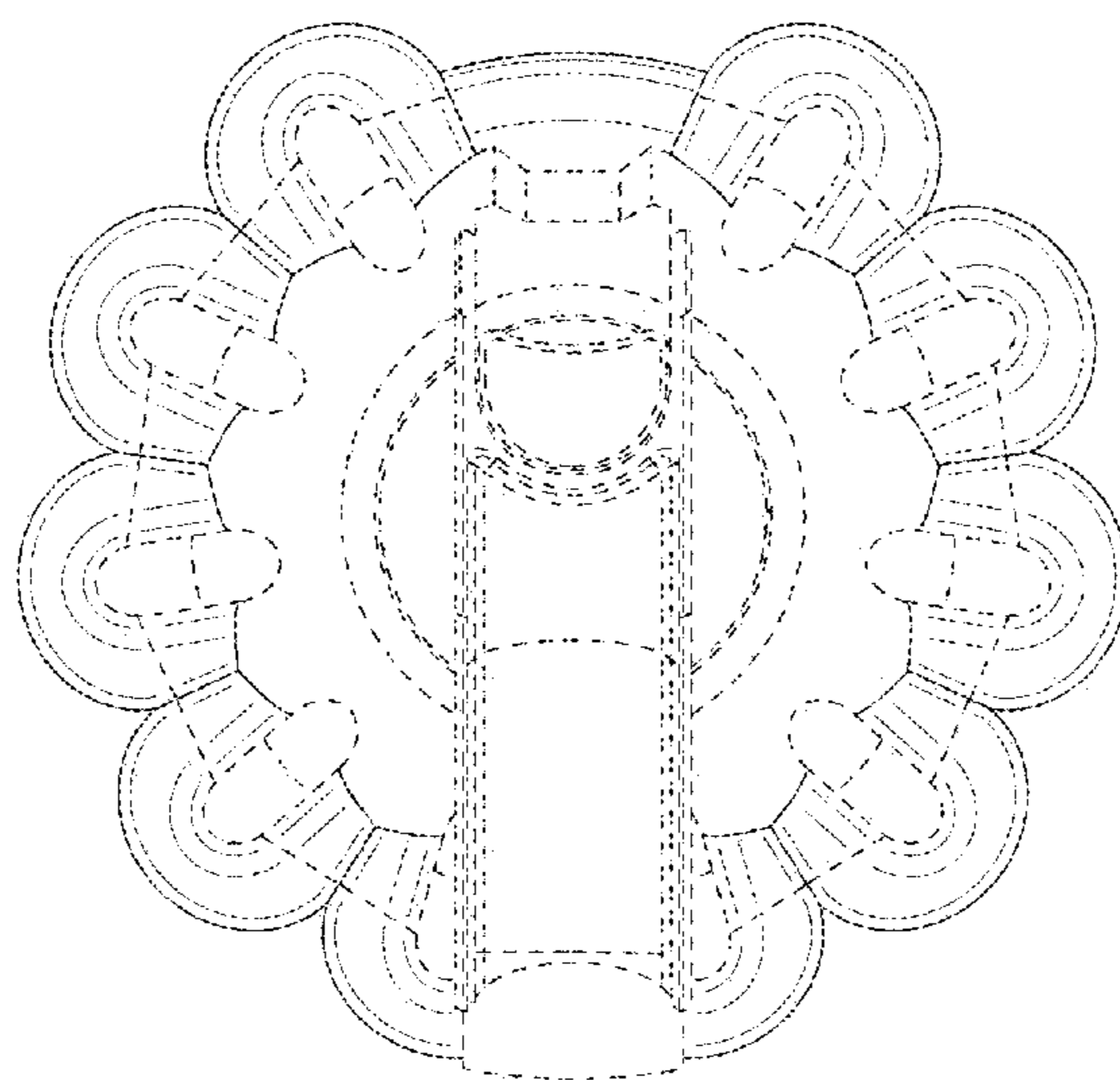


FIG. 6

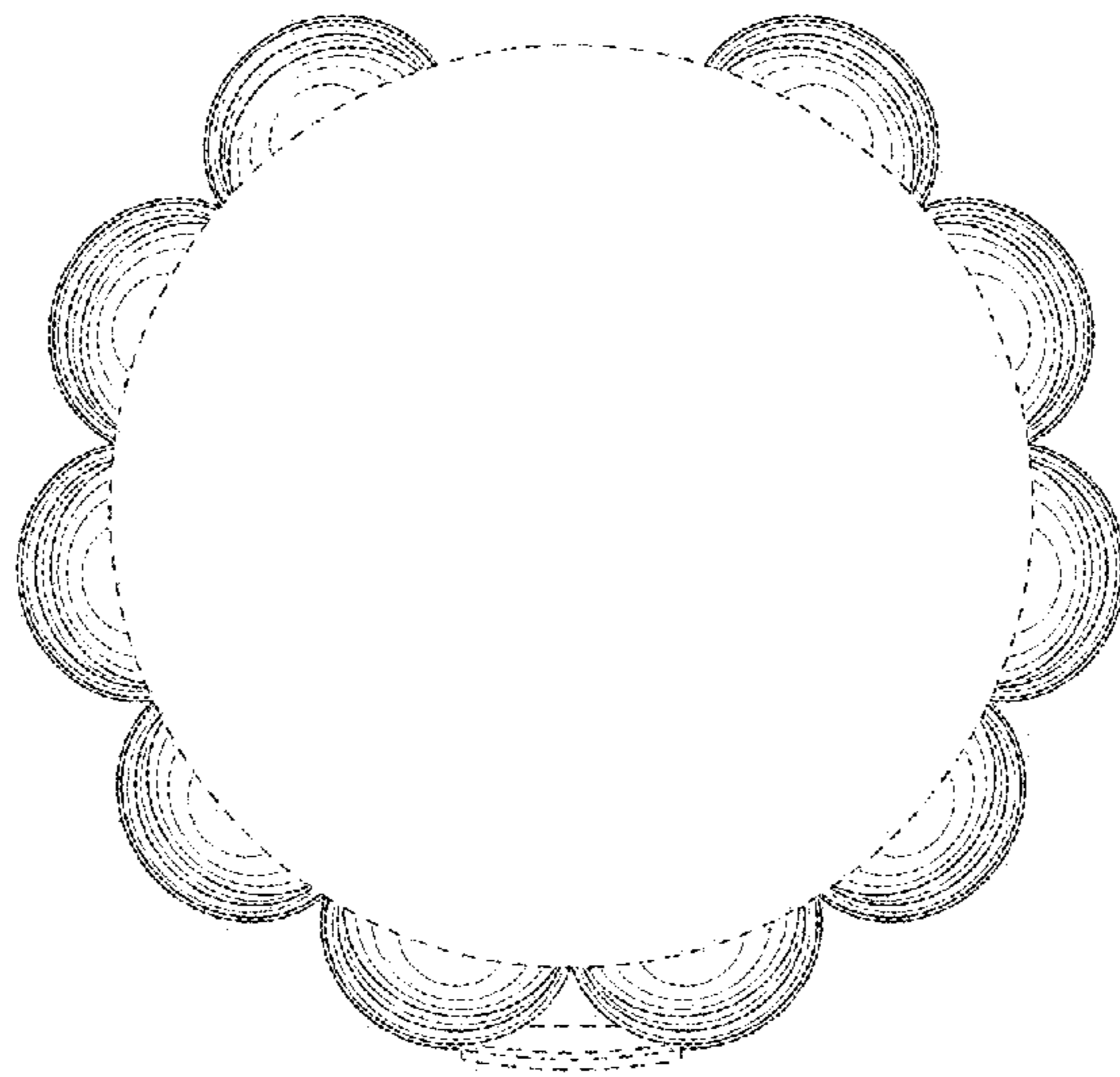


FIG. 7