



US00D670052S

(12) **United States Design Patent**
Dos Reis

(10) **Patent No.:** **US D670,052 S**
(45) **Date of Patent:** **** Oct. 30, 2012**

(54) **PART OF A VACUUM CLEANER**
(75) **Inventor:** **David Dos Reis**, Malmesbury (GB)
(73) **Assignee:** **Dyson Limited**, Malmesbury (GB)
(**) **Term:** **14 Years**
(21) **Appl. No.:** **29/403,593**
(22) **Filed:** **Oct. 7, 2011**

(30) **Foreign Application Priority Data**
Apr. 12, 2011 (EM) 001270508-0002
(51) **LOC (9) Cl.** **15-05**
(52) **U.S. Cl.** **D32/31**
(58) **Field of Classification Search** D32/31,
D32/34, 22, 18, 21; 15/347, 353, 320, 329,
15/344; 55/320, 337, DIG. 3, 429, 345, 459.1
See application file for complete search history.

(56) **References Cited**
U.S. PATENT DOCUMENTS
D471,683 S * 3/2003 Dyson et al. D32/30
D475,820 S * 6/2003 Dyson et al. D32/22
D494,719 S * 8/2004 Rosenzweig et al. D32/31
6,989,039 B2 * 1/2006 Vuijk 55/343
D518,611 S * 4/2006 Hare D32/21
D520,692 S * 5/2006 Leyden D32/31
D534,324 S * 12/2006 Dyson et al. D32/22
D547,505 S * 7/2007 Carr et al. D32/31
D565,815 S * 4/2008 Dyson et al. D32/22
D566,914 S * 4/2008 Dyson et al. D32/31
D570,561 S * 6/2008 Dyson et al. D32/22
D577,163 S * 9/2008 Dyson et al. D32/21
D587,415 S * 2/2009 Dyson et al. D32/31

D594,608 S * 6/2009 Dyson et al. D32/21
D594,609 S * 6/2009 Dyson et al. D32/21
D596,360 S * 7/2009 Dyson et al. D32/22
D596,361 S * 7/2009 Dyson et al. D32/31
D609,416 S * 2/2010 Hill et al. D32/31
7,731,770 B2 * 6/2010 Strutt et al. 55/337
7,815,703 B2 * 10/2010 Park 55/343
7,874,040 B2 * 1/2011 Follows et al. 15/347
8,032,983 B2 * 10/2011 Griffith et al. 15/347
8,100,999 B2 * 1/2012 Ashbee et al. 55/343
2004/0068827 A1 * 4/2004 Dyson 15/353
2007/0234687 A1 * 10/2007 Ni 55/337
2009/0113663 A1 * 5/2009 Follows et al. 15/347
2010/0132319 A1 * 6/2010 Ashbee et al. 55/429
2010/0218338 A1 * 9/2010 McLeod 15/347
2010/0242221 A1 * 9/2010 Horne et al. 15/347

* cited by examiner

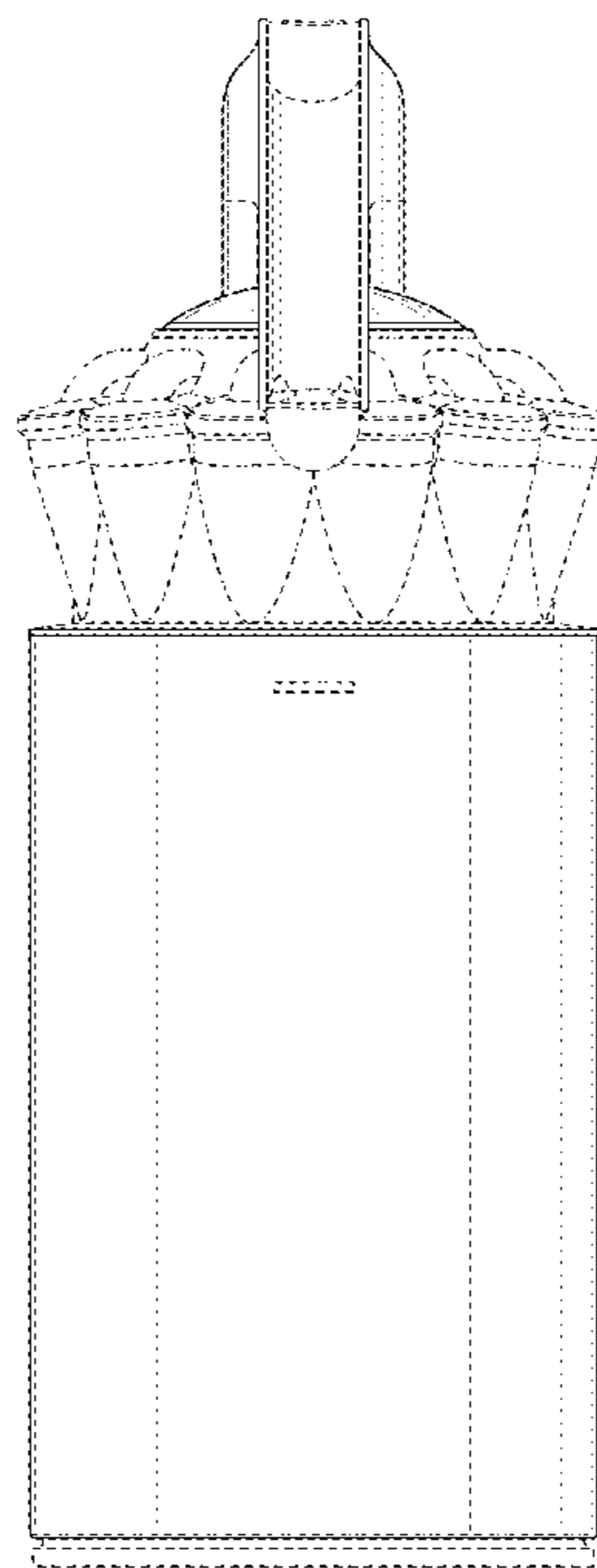
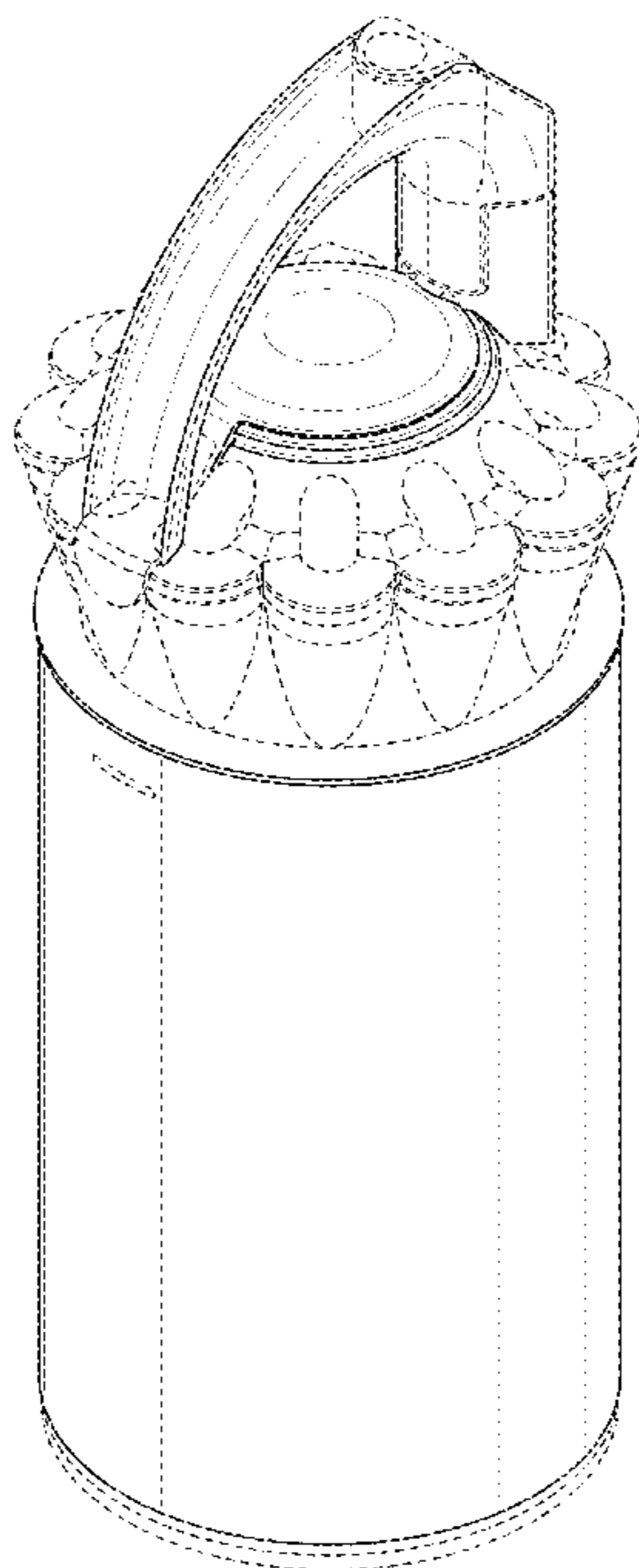
Primary Examiner — Ruth McInroy
(74) *Attorney, Agent, or Firm* — Morrison & Foerster LLP

(57) **CLAIM**
I claim the ornamental design for a part of a vacuum cleaner,
as shown and described.

DESCRIPTION

FIG. 1 is a perspective view of a part of a vacuum cleaner showing my new design;
FIG. 2 is a front view thereof;
FIG. 3 is a rear view thereof;
FIG. 4 is a right side view thereof;
FIG. 5 is a left side view thereof;
FIG. 6 is a top view thereof; and,
FIG. 7 is a bottom view thereof.
The details shown in broken lines form no part of the claimed design.

1 Claim, 6 Drawing Sheets



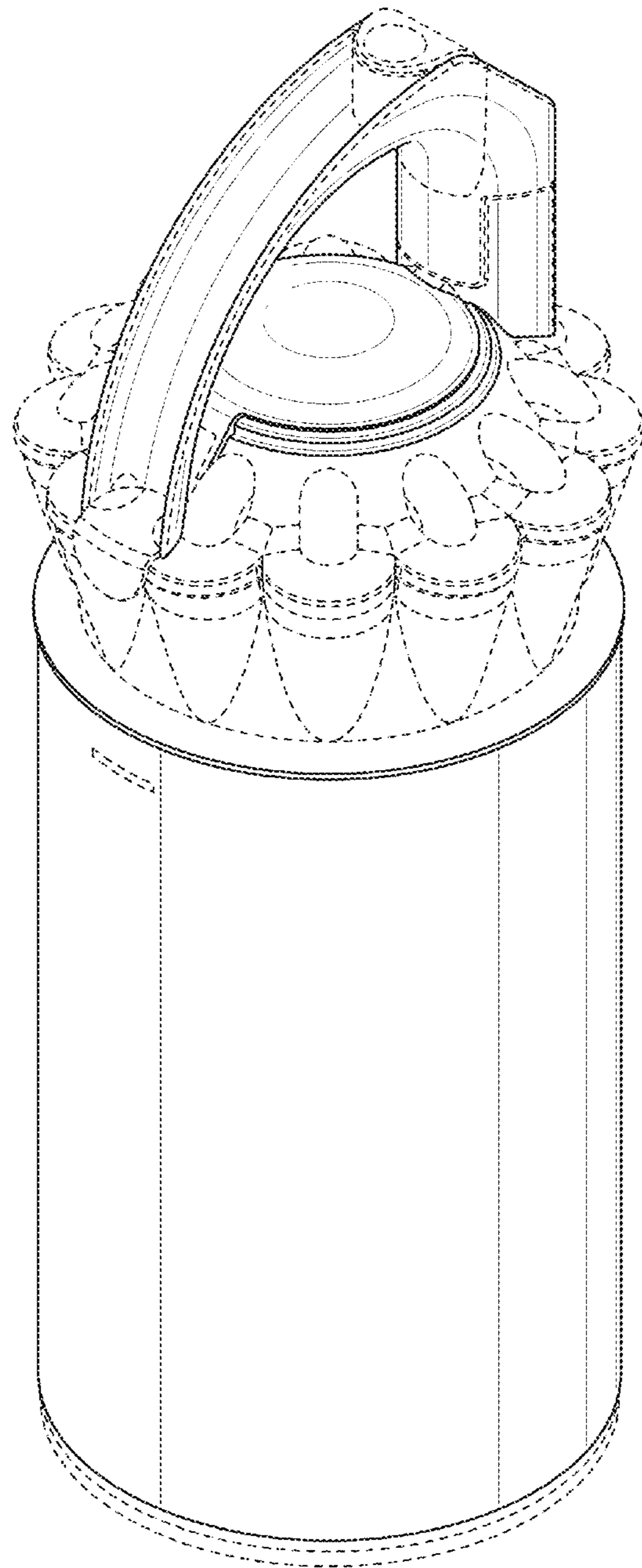


FIG. 1

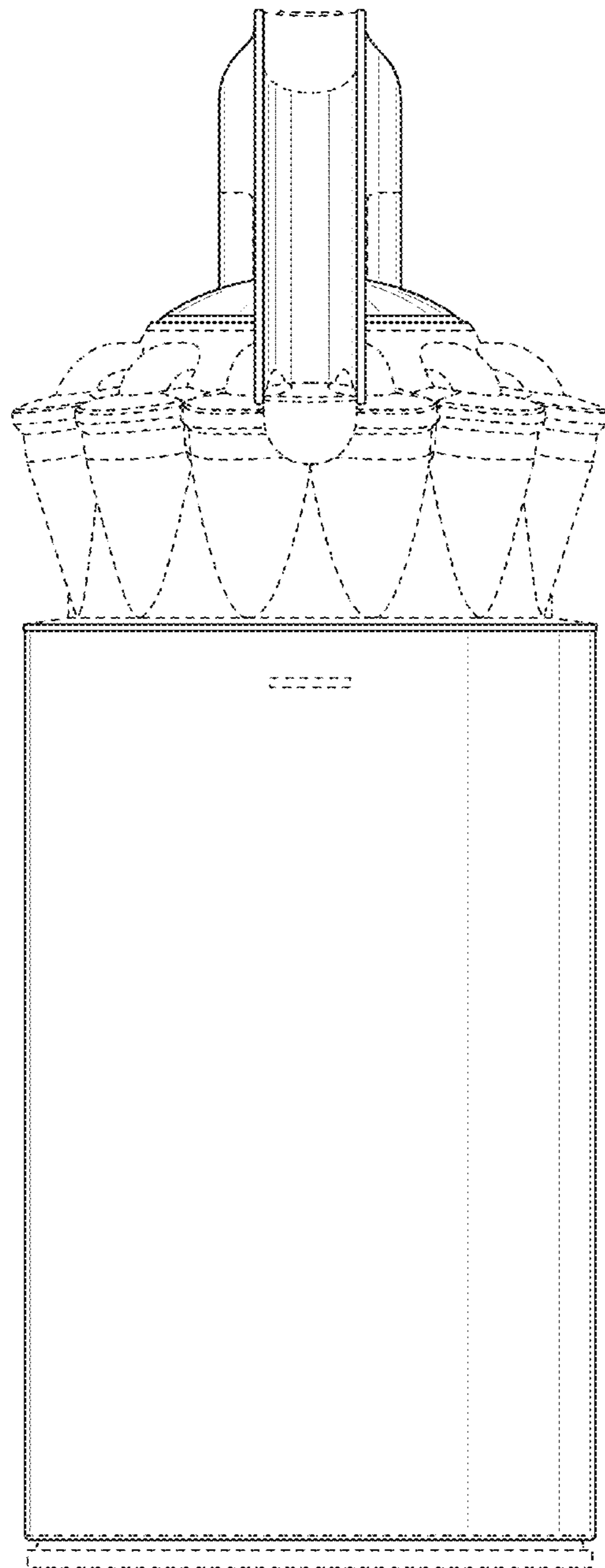


FIG. 2

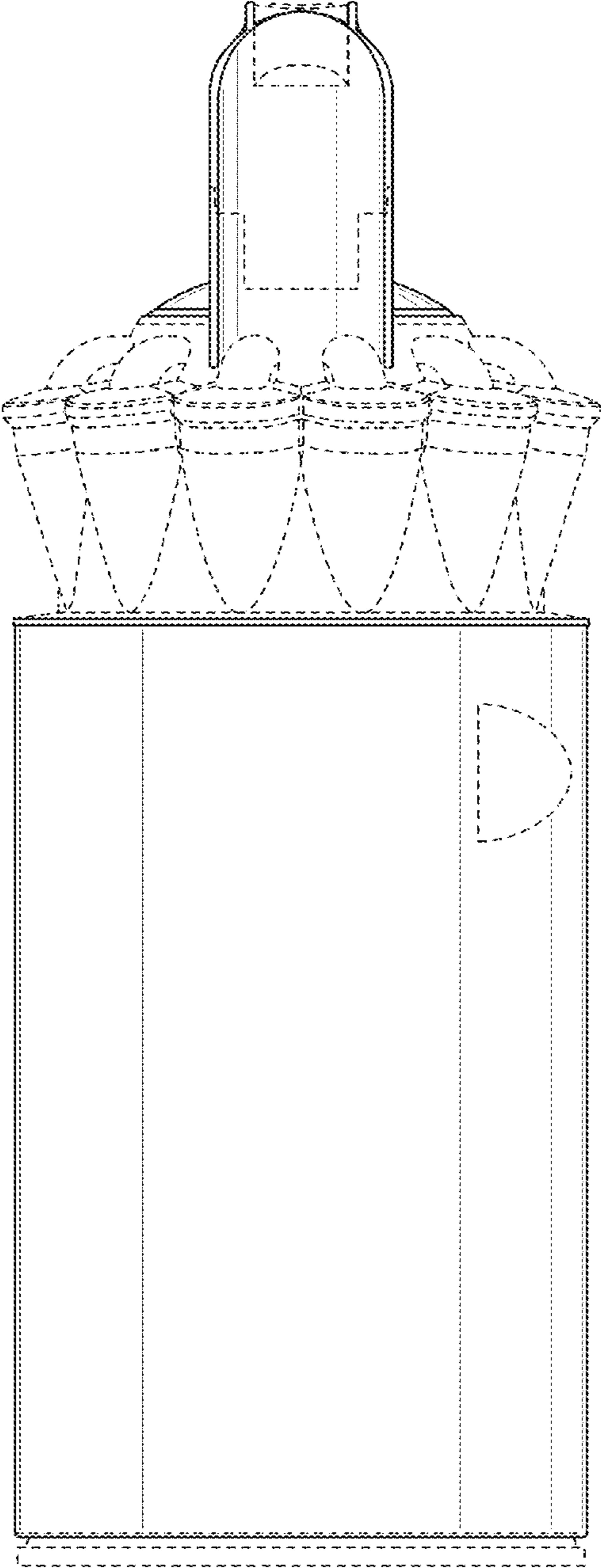


FIG. 3

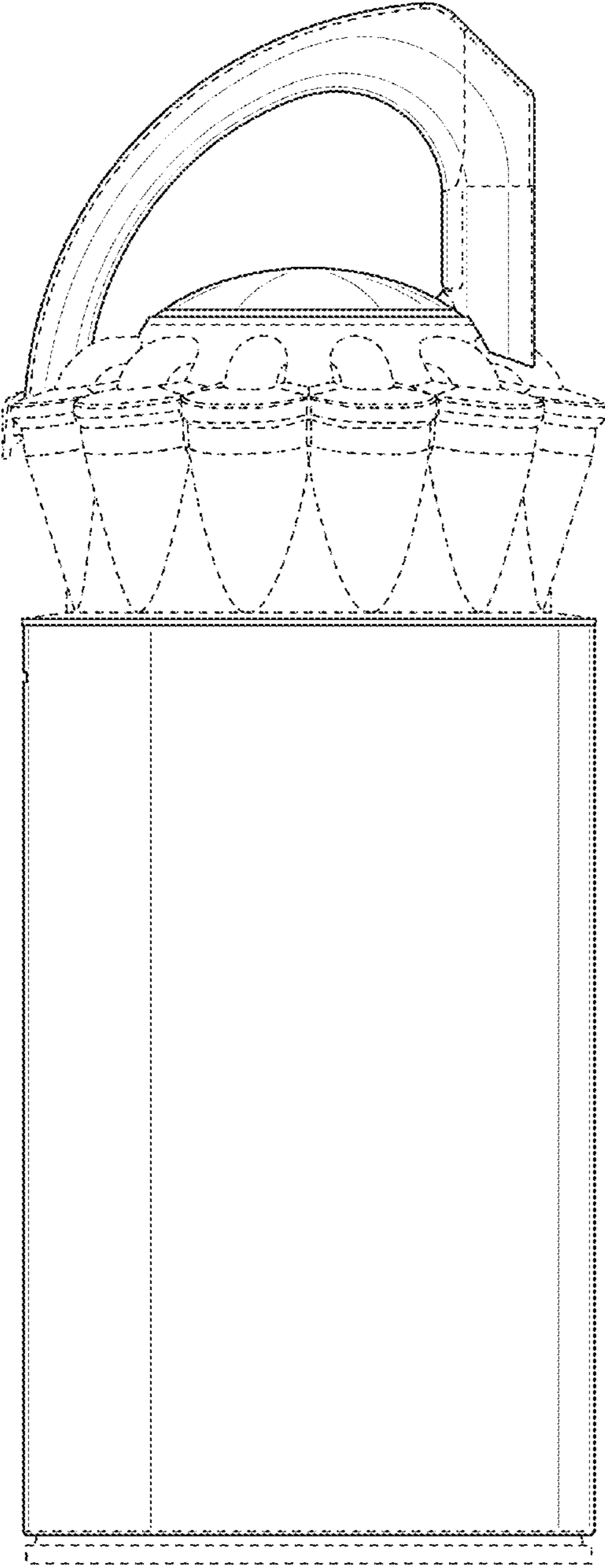


FIG. 4

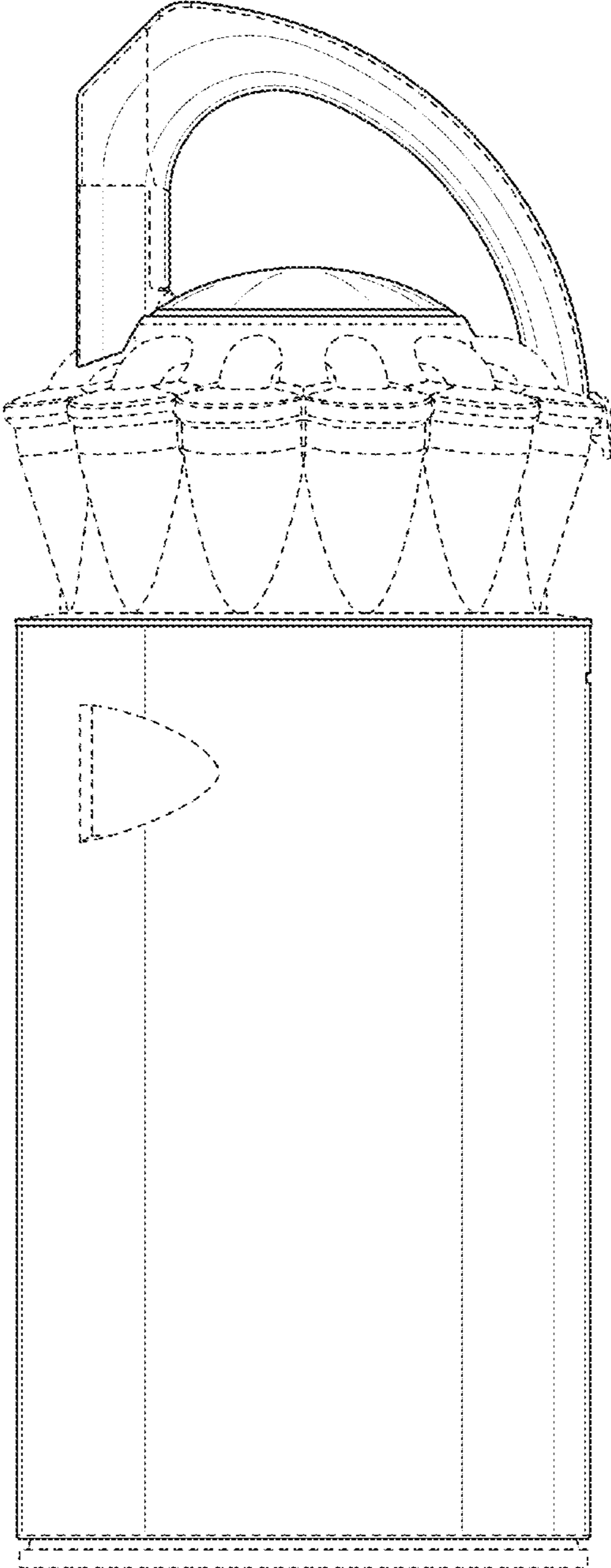


FIG. 5

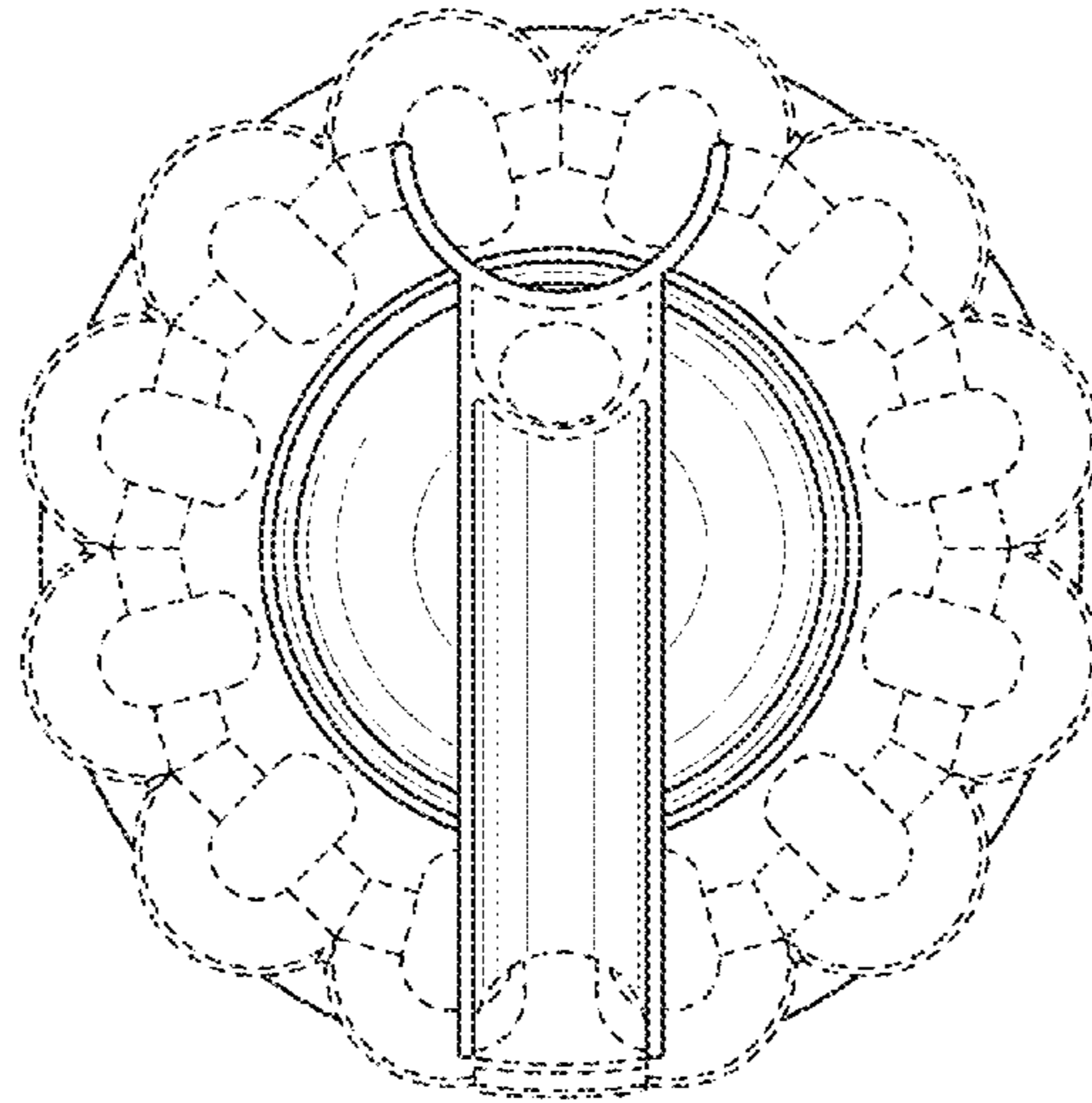


FIG. 6

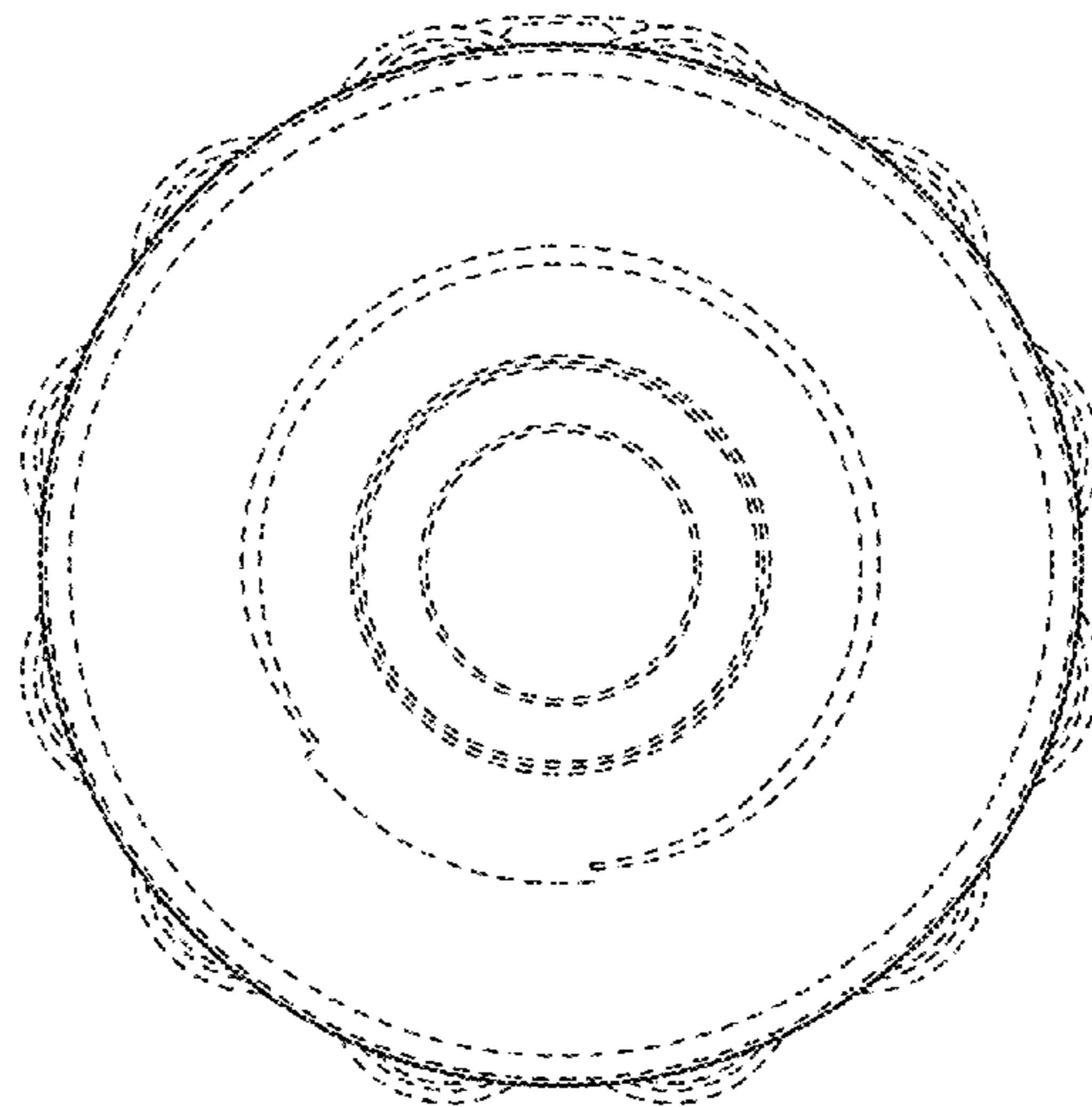


FIG. 7