



US00D670050S

(12) **United States Design Patent**
Dyson et al.

(10) **Patent No.:** **US D670,050 S**

(45) **Date of Patent:** **** Oct. 30, 2012**

(54) **PART OF A VACUUM CLEANER**

(75) Inventors: **James Dyson**, Malmesbury (GB); **Peter David Gammack**, Malmesbury (GB); **Adam James Bates**, Malmesbury (GB)

(73) Assignee: **Dyson Limited**, Malmesbury (GB)

(**) Term: **14 Years**

(21) Appl. No.: **29/399,097**

(22) Filed: **Aug. 9, 2011**

(30) **Foreign Application Priority Data**

Feb. 11, 2011 (EM) 001259717-0001

(51) **LOC (9) Cl.** **15-05**

(52) **U.S. Cl.** **D32/31**

(58) **Field of Classification Search** D32/31,
D32/34, 22, 18, 21; 15/347, 353, 320, 329,
15/344; 55/320, 337, DIG. 3, 429, 345, 459.1
See application file for complete search history.

(56) **References Cited**

U.S. PATENT DOCUMENTS

D471,683 S * 3/2003 Dyson et al. D32/30
D550,911 S * 9/2007 Bobrosky D32/31
D587,415 S * 2/2009 Dyson et al. D32/31

D594,609 S * 6/2009 Dyson et al. D32/21
D596,360 S * 7/2009 Dyson et al. D32/22
D609,416 S * 2/2010 Hill et al. D32/31
7,682,414 B2 * 3/2010 Yoshida et al. 55/429
7,874,040 B2 * 1/2011 Follows et al. 15/347
2007/0234687 A1 * 10/2007 Ni 55/337
2007/0294856 A1 * 12/2007 Park 15/347
2009/0113663 A1 * 5/2009 Follows et al. 15/347
2010/0218338 A1 * 9/2010 McLeod 15/347

* cited by examiner

Primary Examiner — Ruth McInroy

(74) *Attorney, Agent, or Firm* — Morrison & Foerster LLP

(57) **CLAIM**

We claim the ornamental design for a part of a vacuum cleaner, as shown and described.

DESCRIPTION

FIG. 1 is a perspective view of a part of a vacuum cleaner showing our new design;

FIG. 2 is a perspective view thereof from below;

FIG. 3 is a side view thereof;

FIG. 4 is a side view from the side opposite that of FIG. 3;

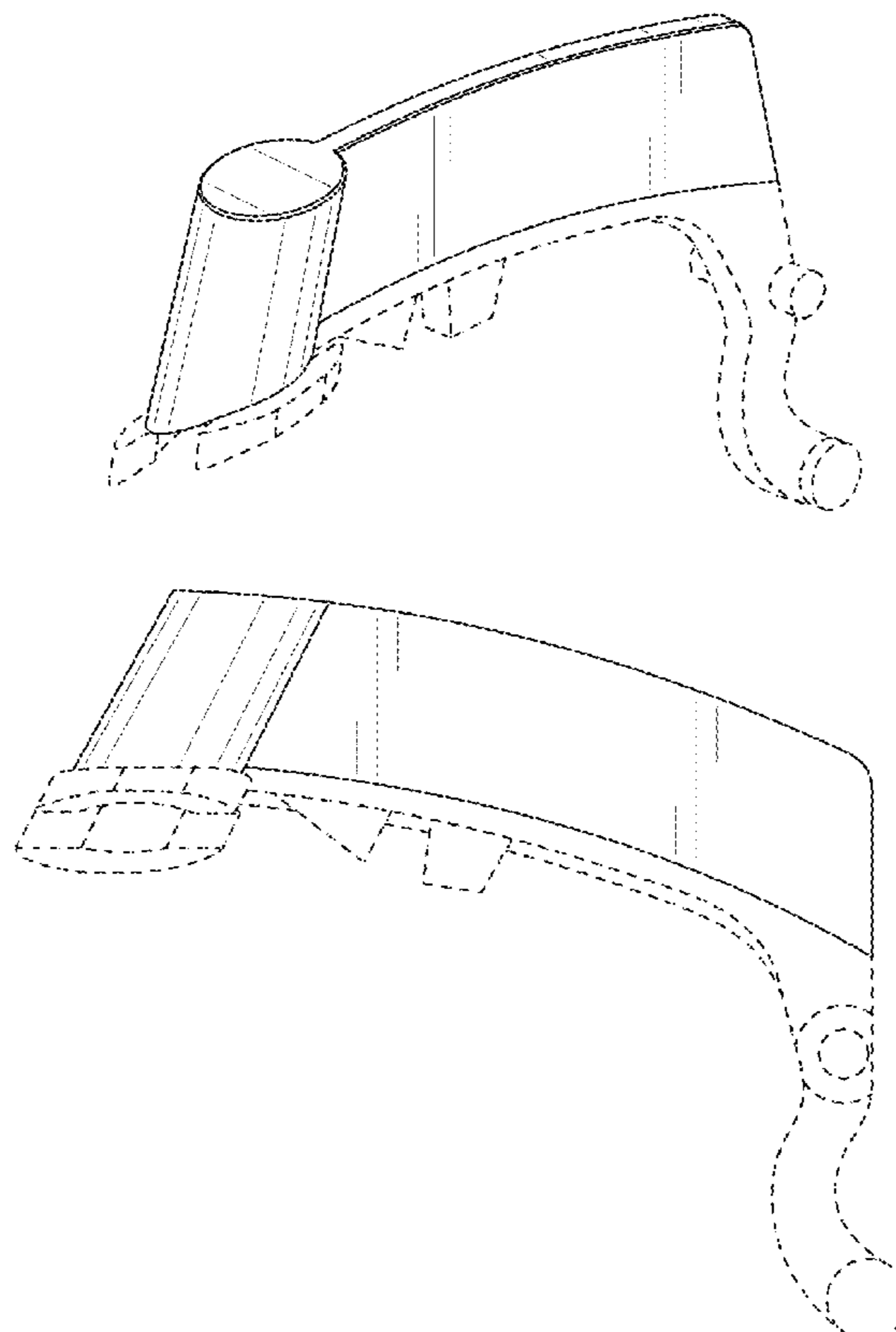
FIG. 5 is a plan view thereof from above

FIG. 6 is a front view thereof; and,

FIG. 7 is a rear view thereof.

The details shown in broken lines form no part of the claimed design.

1 Claim, 3 Drawing Sheets



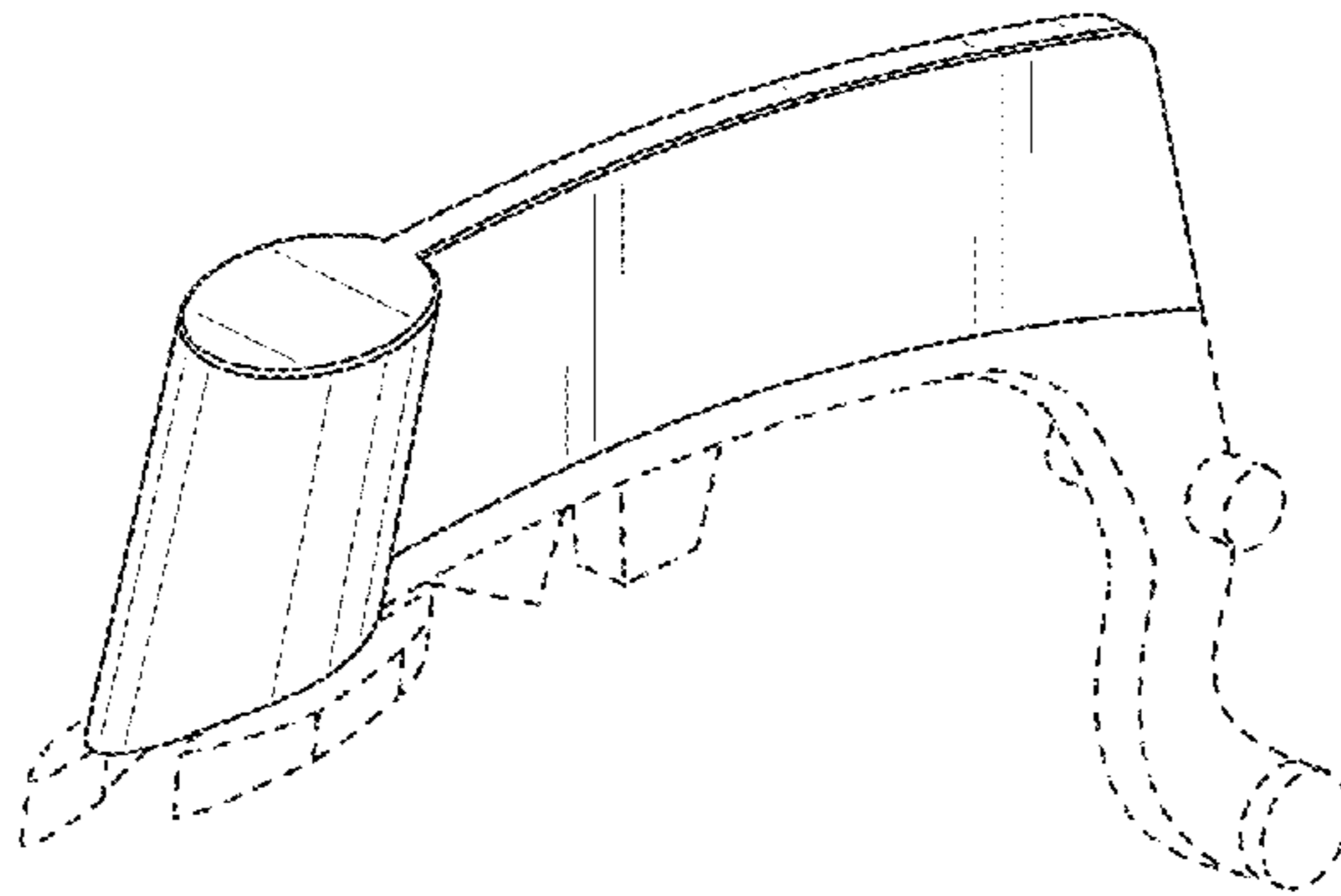


FIG. 1

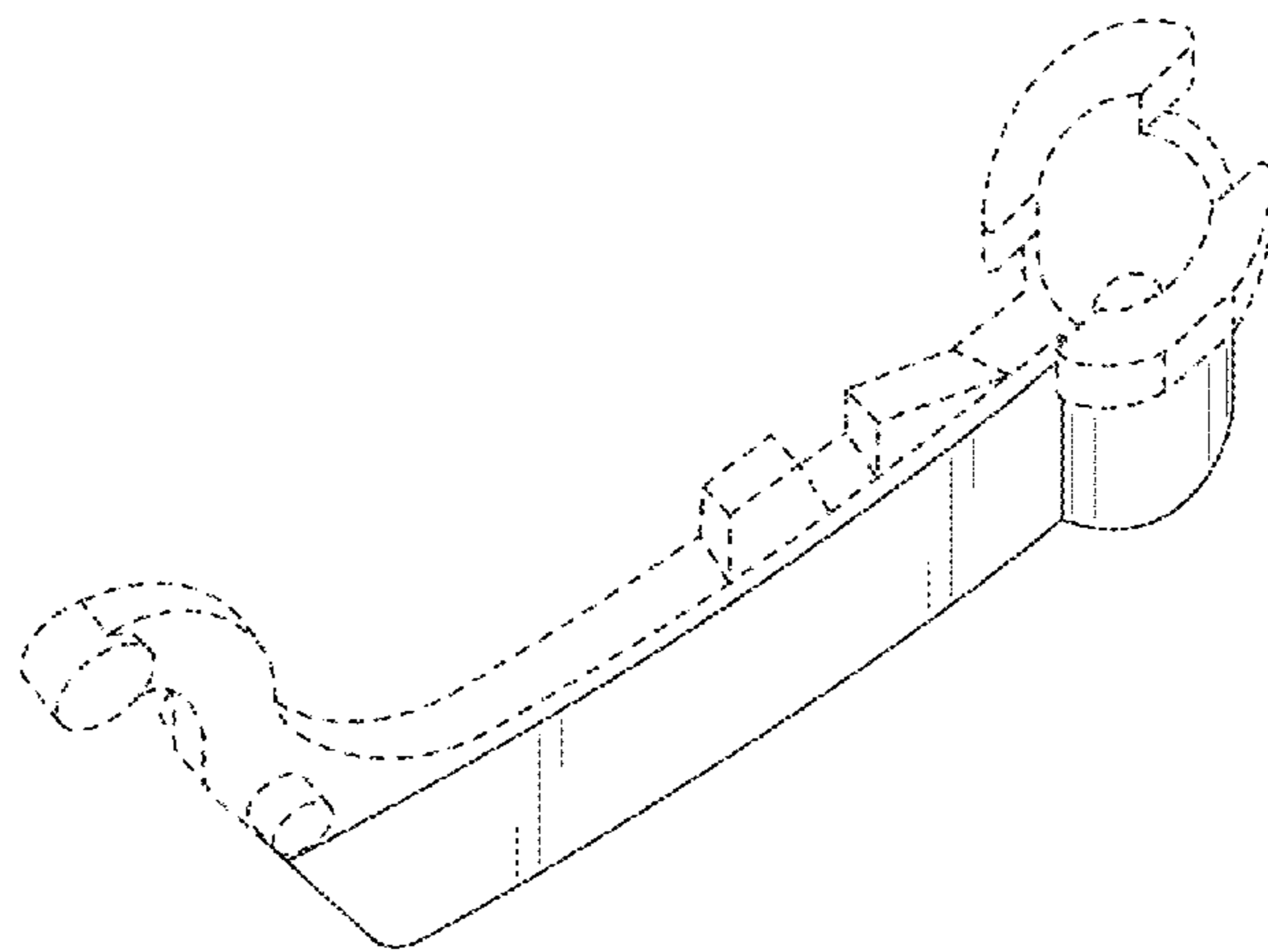


FIG. 2

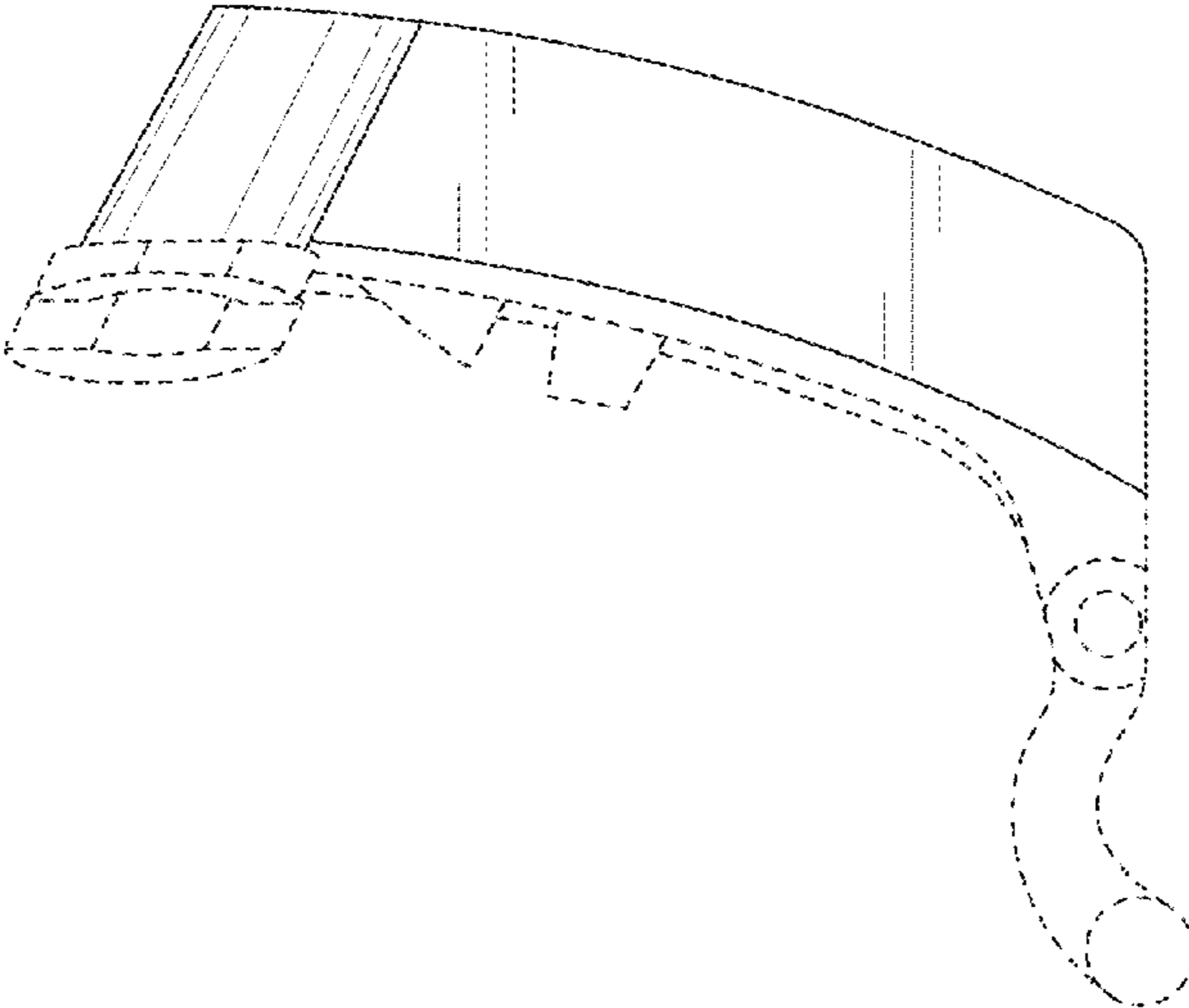


FIG. 3

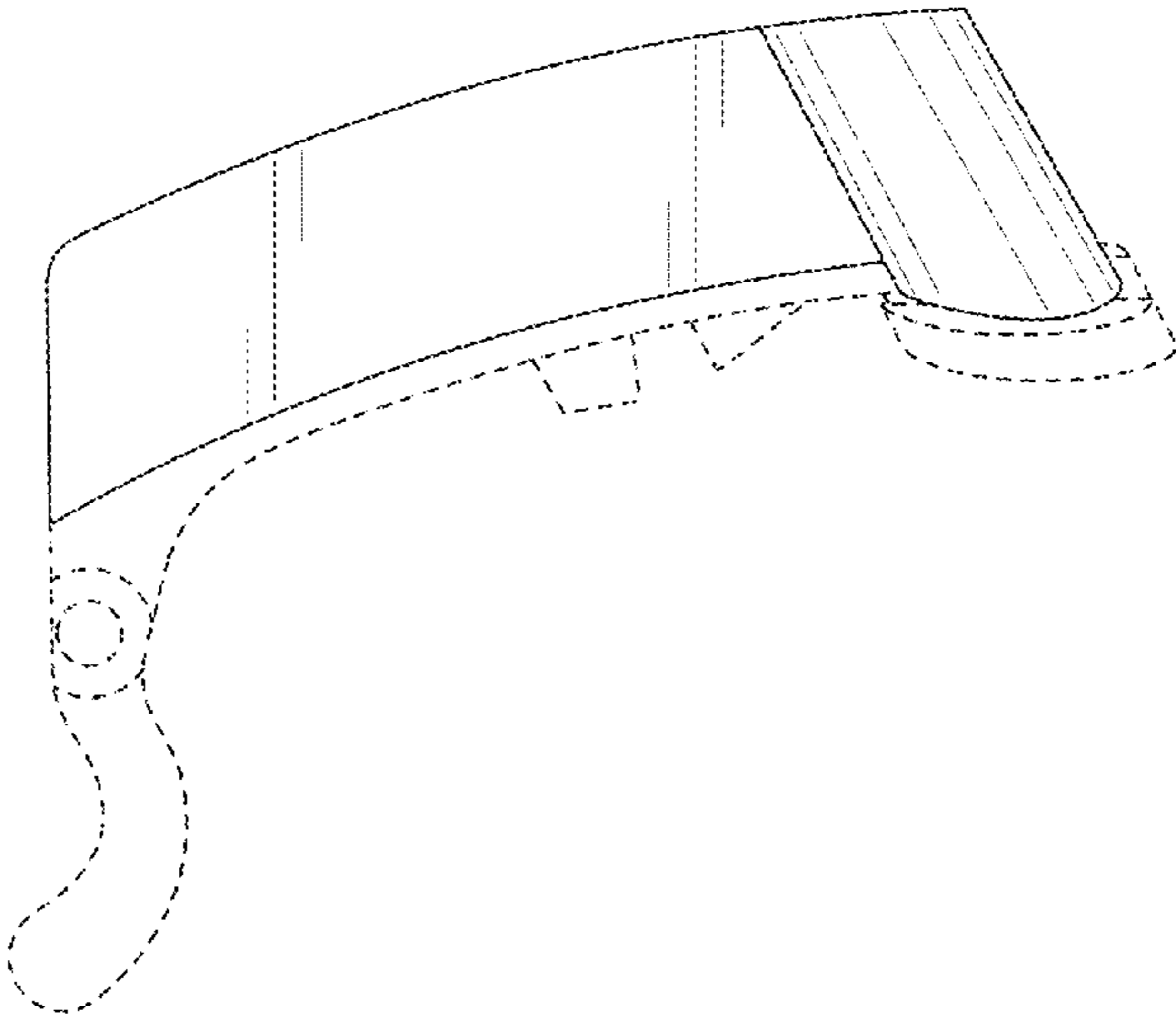


FIG. 4

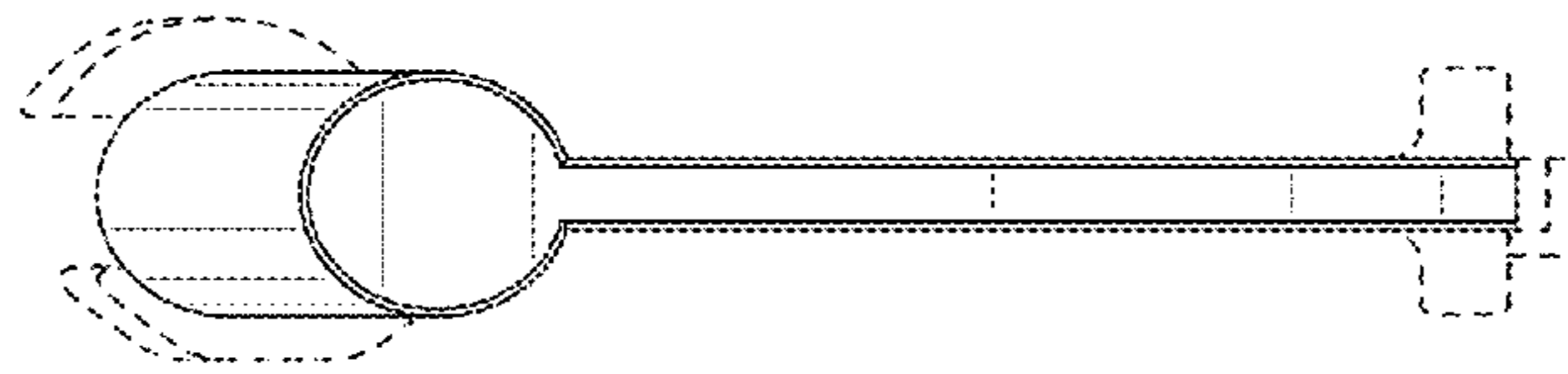


FIG. 5

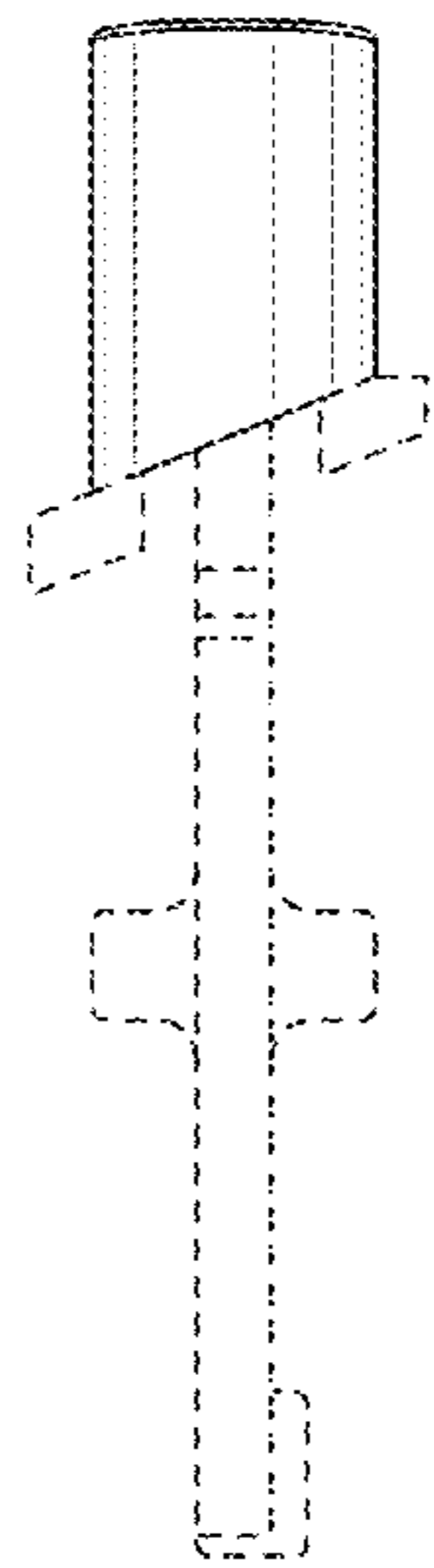


FIG. 6

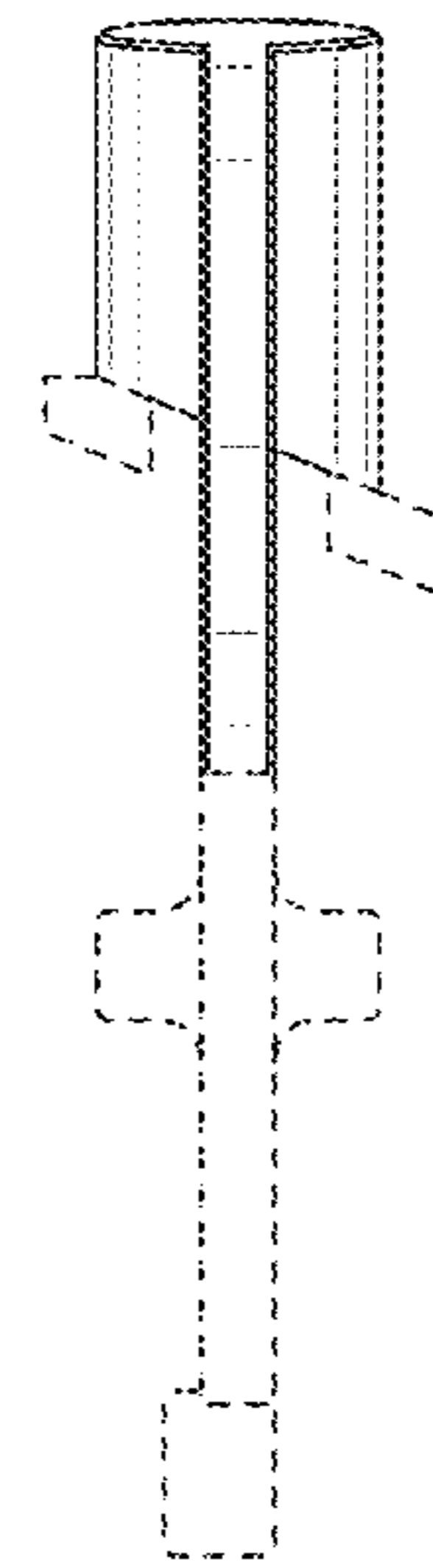


FIG. 7