



US00D670048S

(12) **United States Design Patent**  
**Theising et al.**

(10) **Patent No.:** **US D670,048 S**

(45) **Date of Patent:** **\*\* Oct. 30, 2012**

(54) **COMBINED WET/DRY VACUUM CLEANER**

(75) Inventors: **John L. Theising**, St. Peters, MO (US);  
**Shane Glasgow**, St. Ann, MO (US);  
**Douglas K. Ritterling**, Chesterfield, MO (US)

(73) Assignee: **Emerson Electric Co.**, St. Louis, MO (US)

(\*\*) Term: **14 Years**

(21) Appl. No.: **29/382,604**

(22) Filed: **Jan. 5, 2011**

(51) **LOC (9) Cl.** ..... **15-05**

(52) **U.S. Cl.** ..... **D32/23**

(58) **Field of Classification Search** ..... D32/21,  
D32/23-24, 30-31; 15/327.1-327, 7, 328,  
15/340.1, 340.2, 353, 347, 301, 336, 320,  
15/314, 352, 412; 55/447, 337, 345, DIG. 3  
See application file for complete search history.

(56) **References Cited**

**U.S. PATENT DOCUMENTS**

D438,353	S	*	2/2001	Hoshino et al.	.....	D32/23
D470,280	S	*	2/2003	Griffin et al.	.....	D32/23
6,530,116	B2	*	3/2003	Berfield et al.	.....	15/328
D479,371	S	*	9/2003	Griffin et al.	.....	D32/23
D486,280	S	*	2/2004	Holsten et al.	.....	D32/23

D492,823	S	*	7/2004	Hoshino et al.	.....	D32/23
D492,824	S	*	7/2004	Tomasiak et al.	.....	D32/23
D494,327	S	*	8/2004	Song	.....	D32/21
D568,013	S	*	4/2008	Crevling et al.	.....	D32/23
D614,369	S	*	4/2010	Theising et al.	.....	D32/31
D634,494	S	*	3/2011	Theising et al.	.....	D32/31

\* cited by examiner

*Primary Examiner* — Ruth McInroy

(74) *Attorney, Agent, or Firm* — Sutton McAughan Deaver, PLLC

(57) **CLAIM**

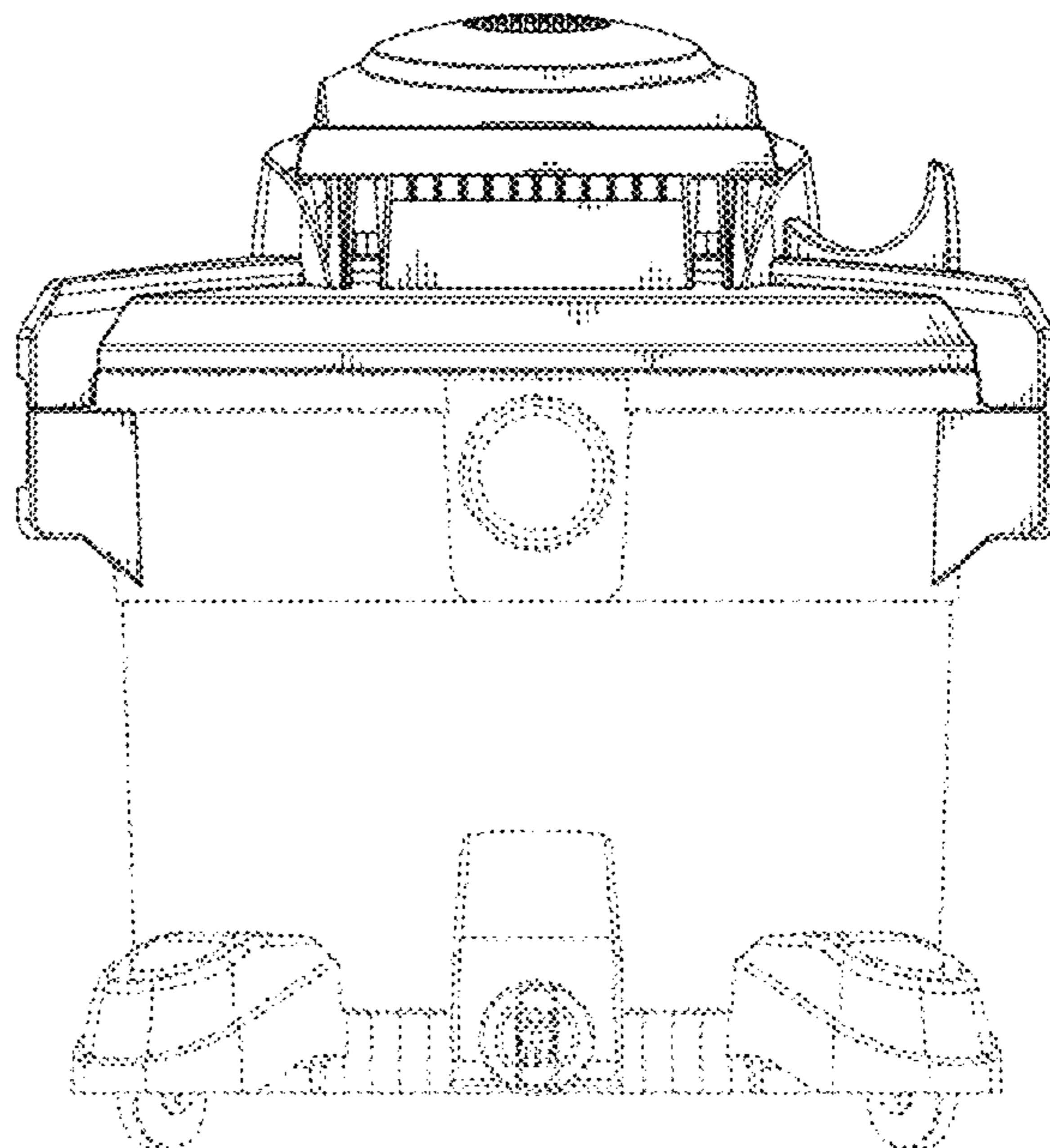
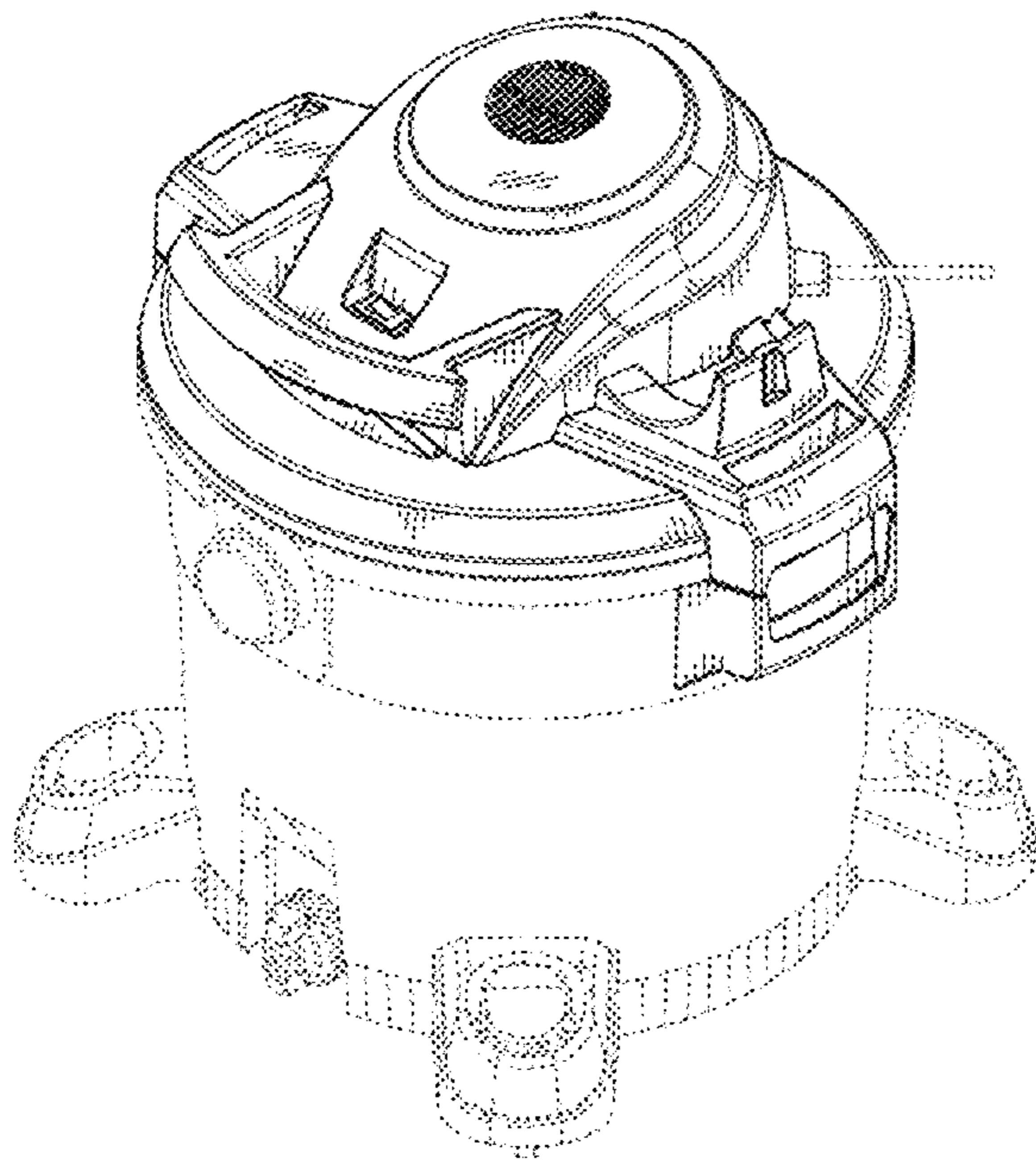
The ornamental design for a combined wet/dry vacuum cleaner, as shown and described.

**DESCRIPTION**

FIG. 1 is an isometric front perspective view of a wet/dry vacuum;  
FIG. 2 is a front elevational view thereof;  
FIG. 3 is a rear elevational view thereof;  
FIG. 4 is a side thereof;  
FIG. 5 is a side view showing the side opposite that shown in FIG. 4; and,  
FIG. 6 is a top view thereof.

The broken lines in the Figures are for the purpose of illustrating exemplary environmental structure and forms no part of the claimed design.

**1 Claim, 6 Drawing Sheets**



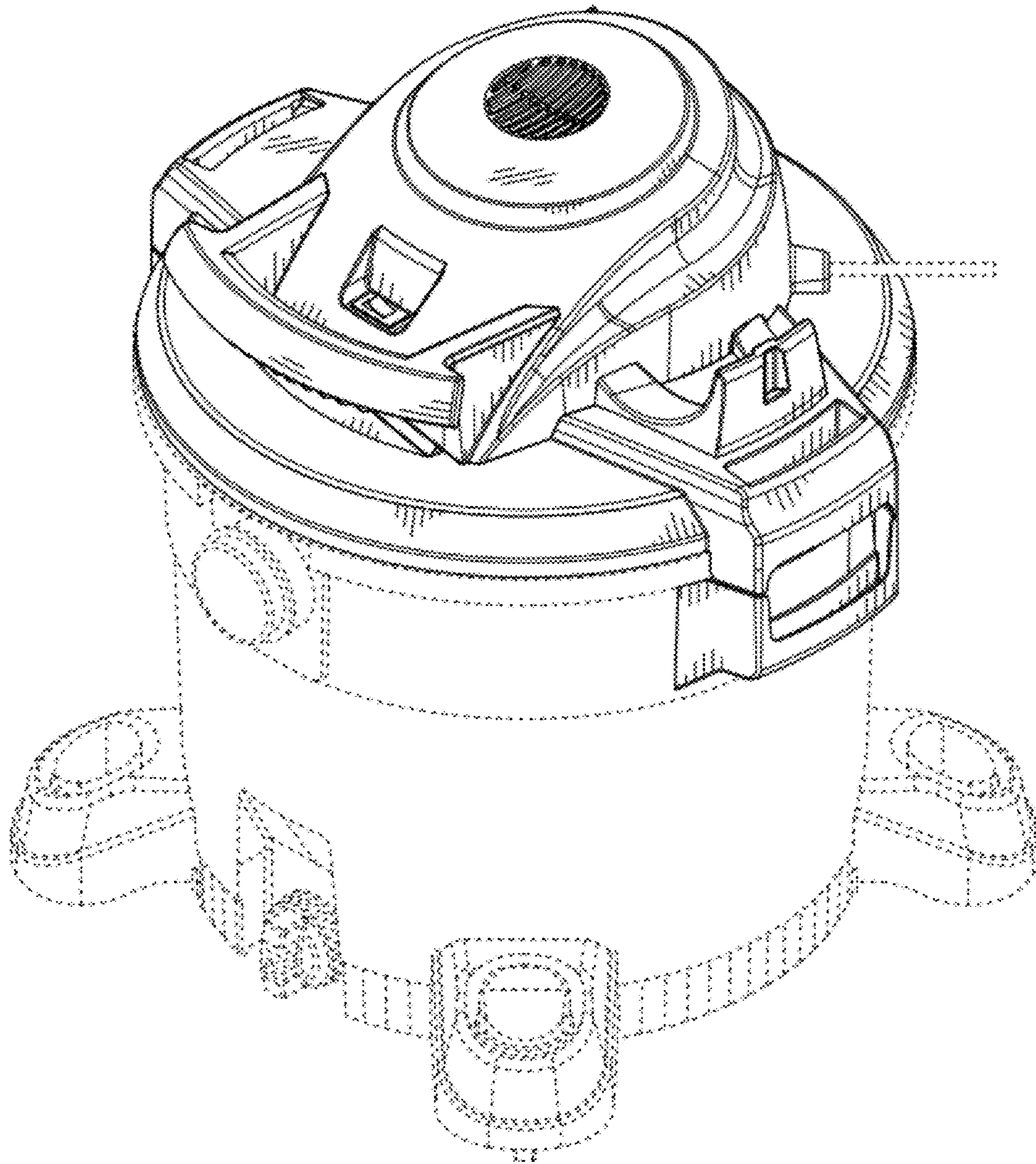


FIG. 1

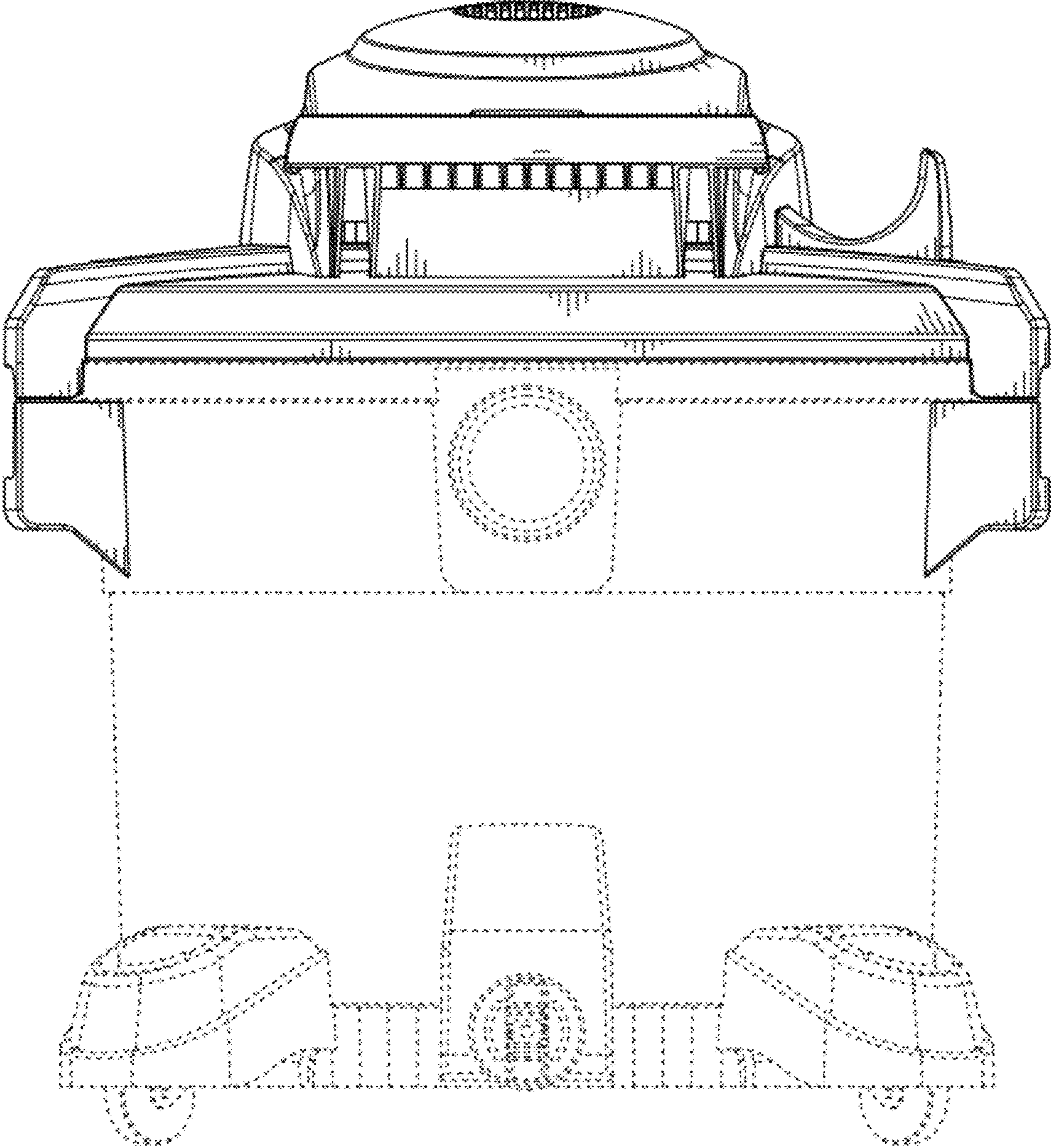


FIG. 2

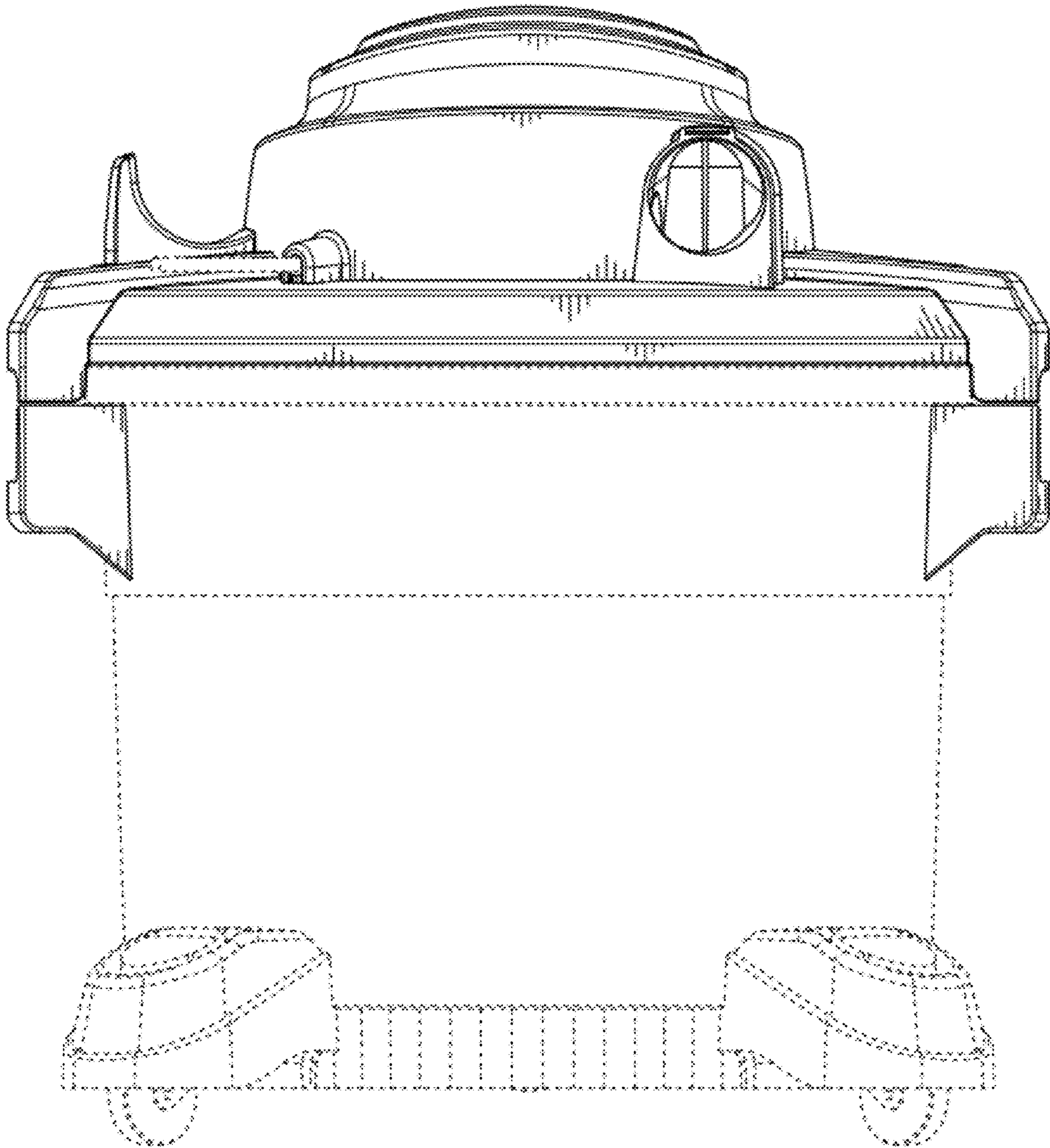


FIG. 3

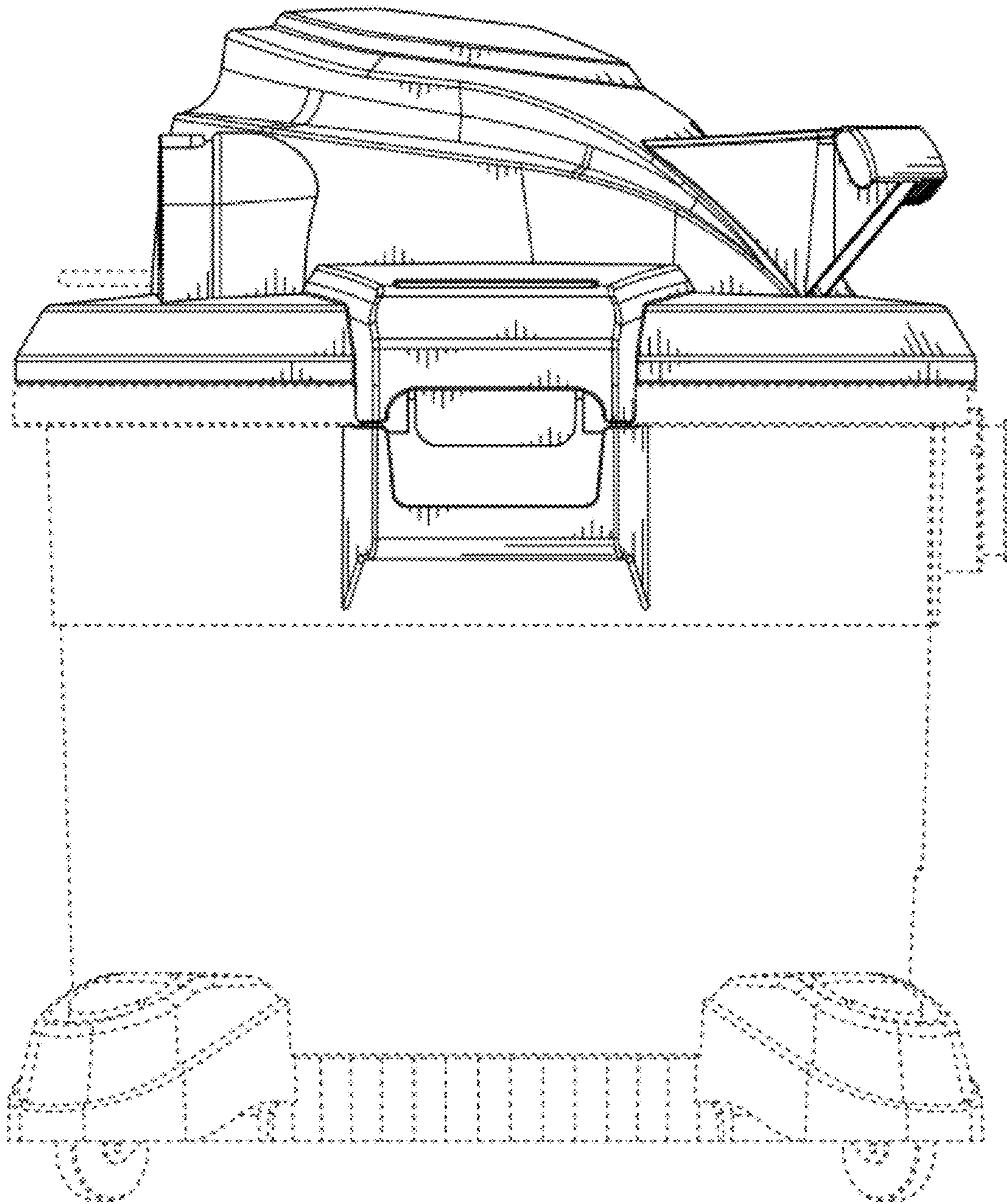


FIG. 4

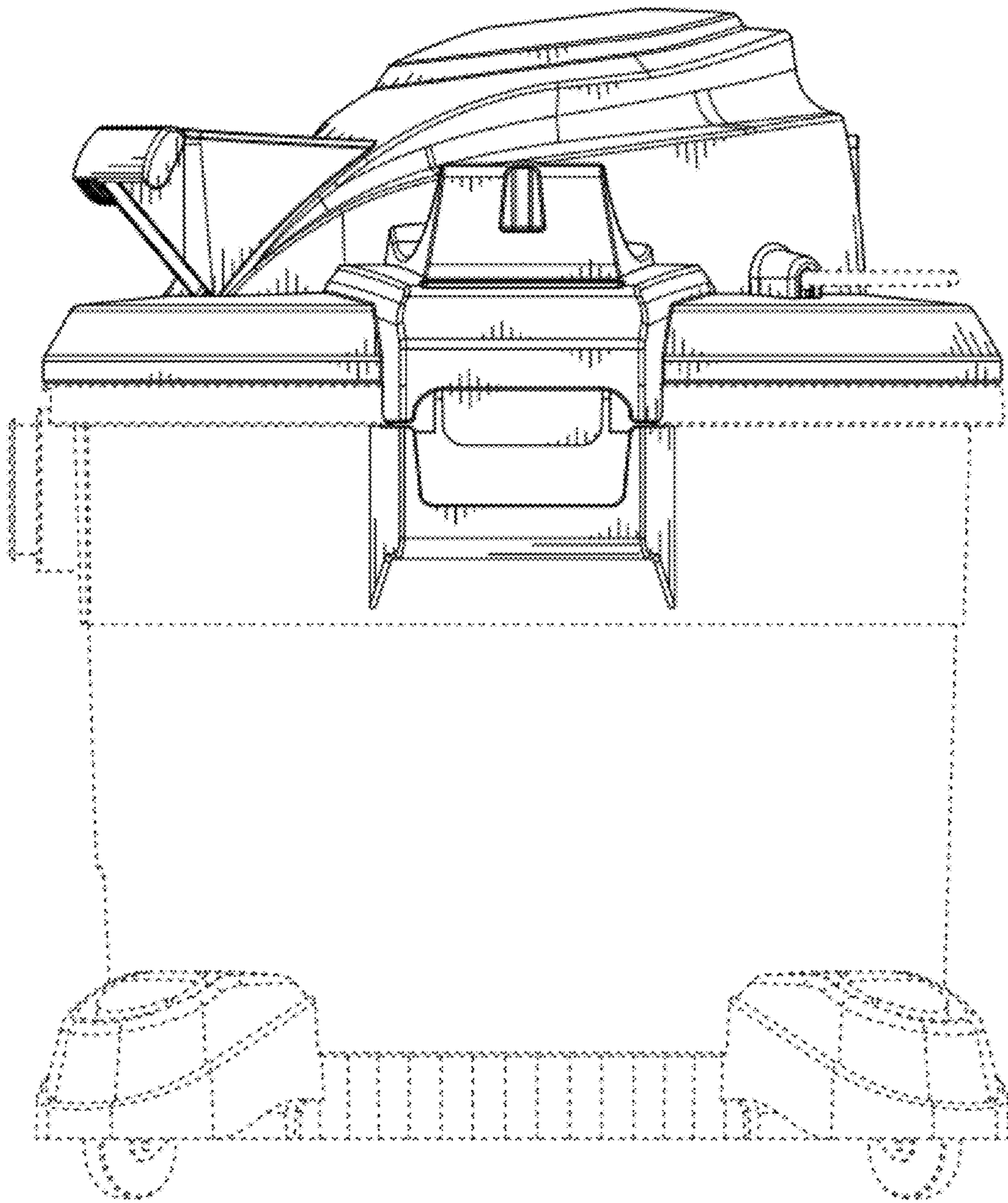


FIG. 5

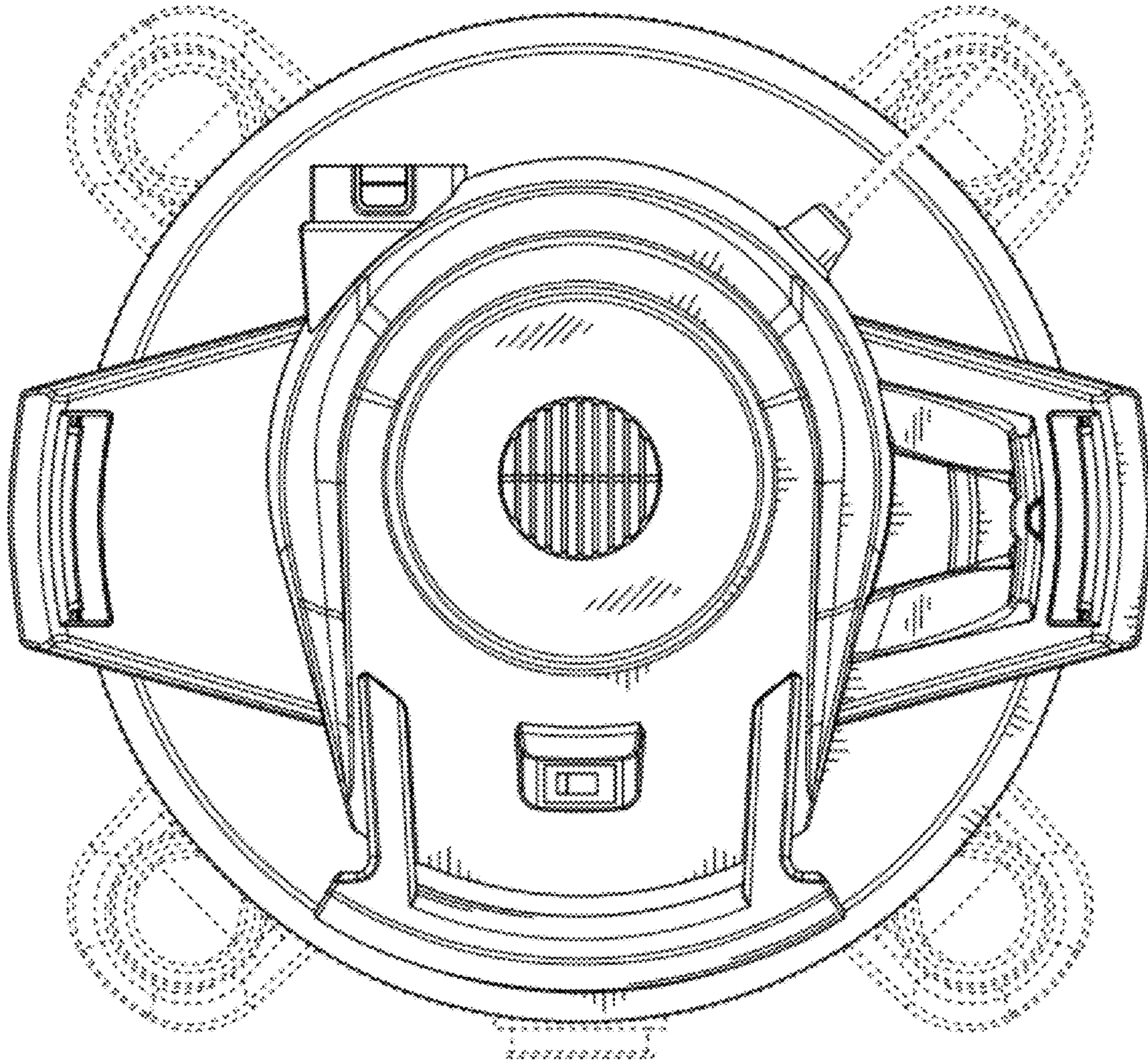


FIG. 6