

US00D670047S

(12) **United States Design Patent**
Santiago et al.

(10) **Patent No.:** **US D670,047 S**

(45) **Date of Patent:** **** Oct. 30, 2012**

(54) **VACUUM CLEANER**

(75) Inventors: **Jose Carlito Santiago**, Grand Rapids, MI (US); **James Dangora**, Chicago, IL (US); **Jongho Nho**, Palatine, IL (US); **Clifford Krapfl**, Chicago, IL (US); **Ambreese Hill**, Grand Rapids, MI (US)

(73) Assignee: **BISSELL Homecare, Inc.**, Grand Rapids, MI (US)

(**) Term: **14 Years**

(21) Appl. No.: **29/409,821**

(22) Filed: **Dec. 29, 2011**

(51) **LOC (9) Cl.** **15-05**

(52) **U.S. Cl.** **D32/22**

(58) **Field of Classification Search** D32/22, D32/30, 31, 34; 15/347, 350-353, 410-412, 15/320, 414, 327.4, 340.1, 340.2, 329, 361-362, 15/415.1; 55/429, DIG. 3, 337; 301/7
See application file for complete search history.

(56) **References Cited**

U.S. PATENT DOCUMENTS

D462,489 S * 9/2002 Roberts et al. D32/31
D477,698 S * 7/2003 Roberts et al. D32/31

D493,587 S * 7/2004 Downey et al. D32/31
D558,413 S * 12/2007 Carr et al. D32/31
D598,617 S * 8/2009 Santiago D32/31
D609,415 S * 2/2010 Hill et al. D32/31
D609,419 S * 2/2010 Santiago D32/31
D609,866 S * 2/2010 Santiago et al. D32/31
D632,035 S * 2/2011 Luyckx et al. D32/31

* cited by examiner

Primary Examiner — Ruth McInroy

(74) *Attorney, Agent, or Firm* — McGarry Bair PC

(57) **CLAIM**

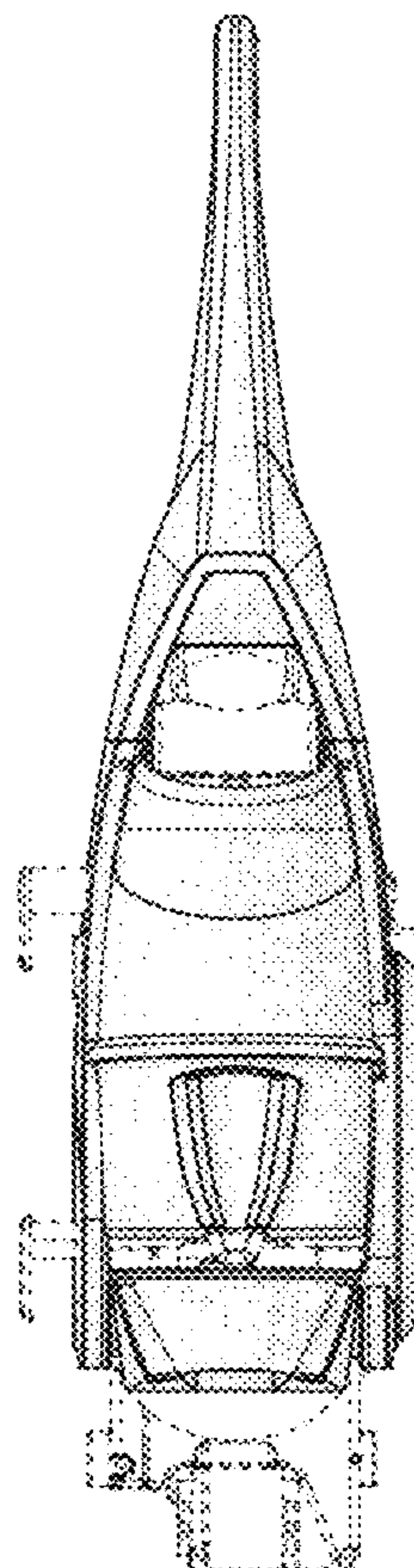
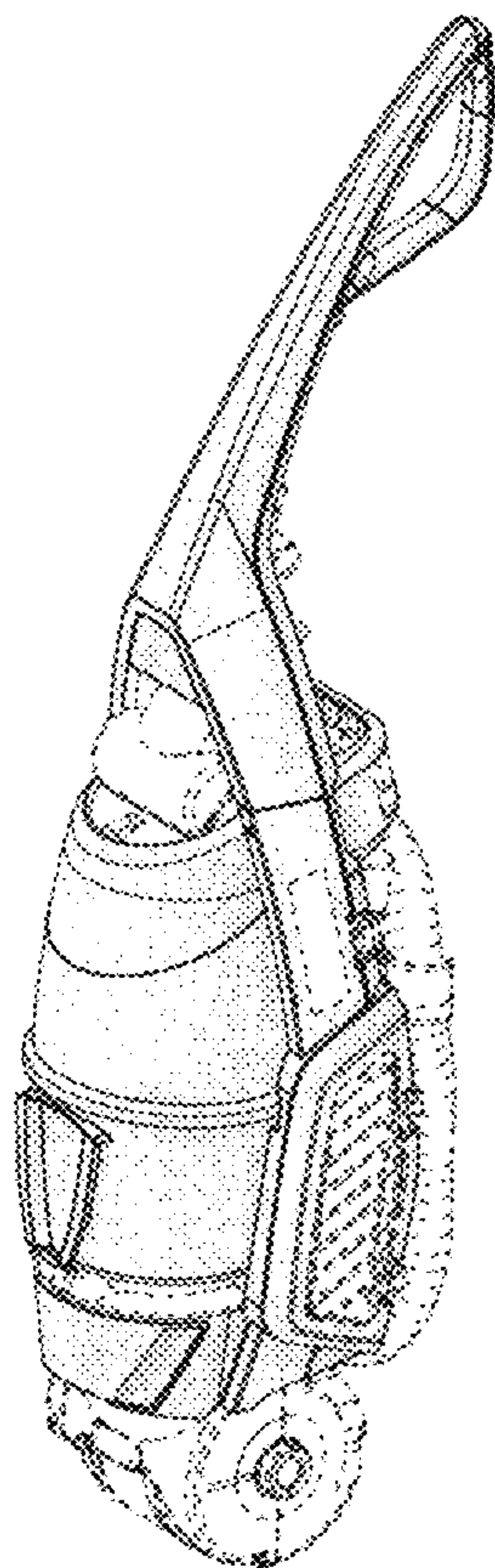
The ornamental design for a vacuum cleaner, as shown and described.

DESCRIPTION

FIG. 1 is a front perspective view of a vacuum cleaner which embodies our design;
FIG. 2 is a front view thereof;
FIG. 3 is a rear view thereof;
FIG. 4 is a right side view thereof;
FIG. 5 is a left side view thereof; and
FIG. 6 is a top side view thereof; and
FIG. 7 is a bottom view thereof.

The details shown in broken lines form no part of the design.

1 Claim, 4 Drawing Sheets



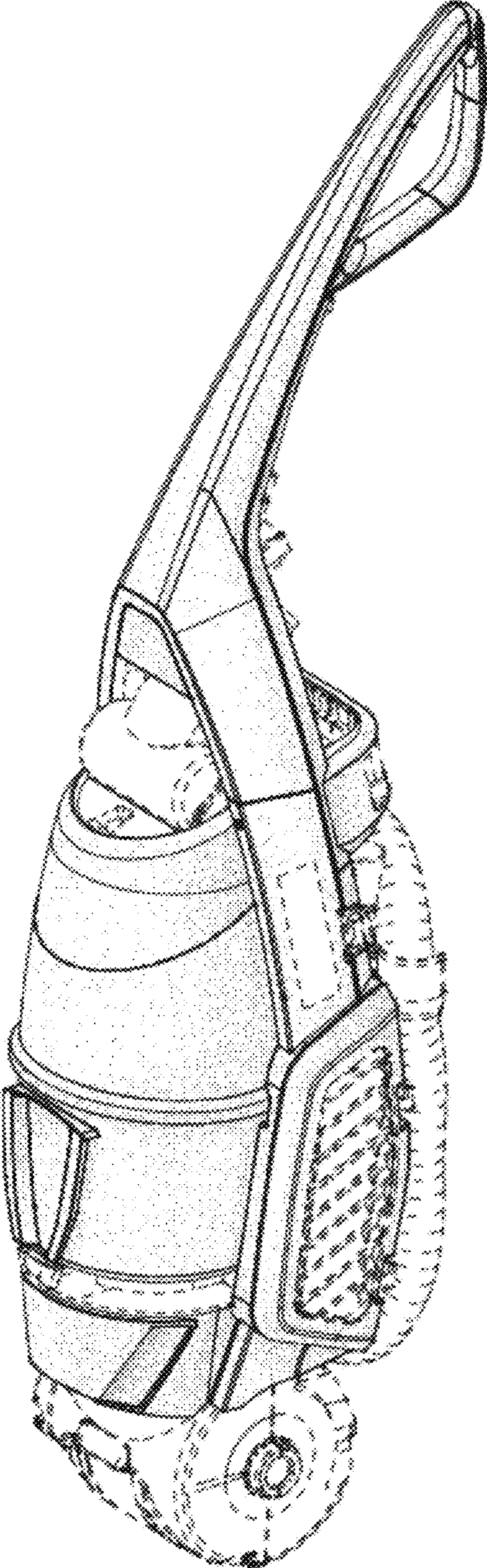


Fig. 1

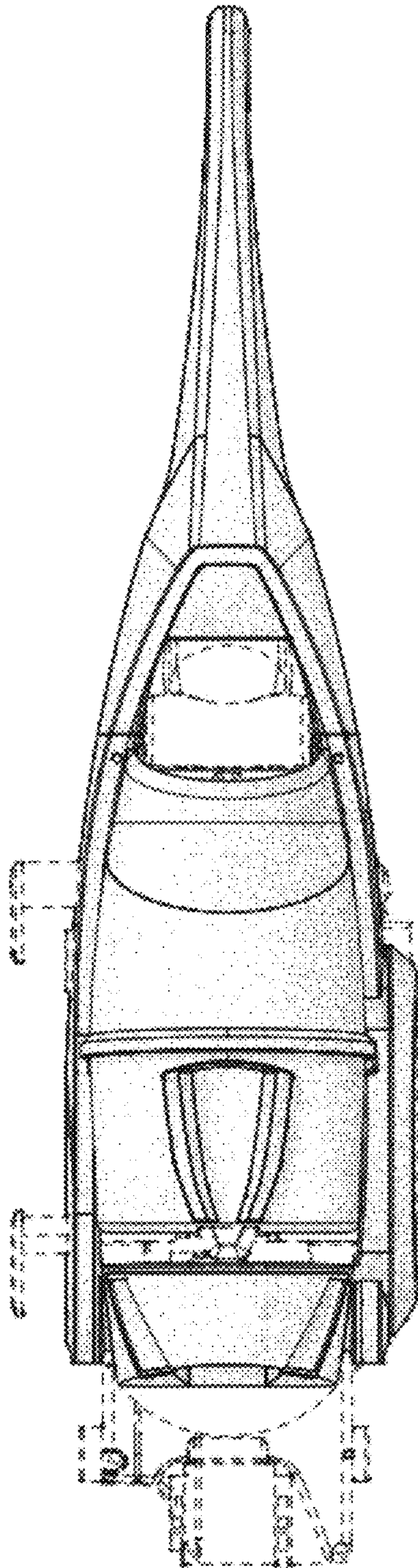


Fig. 2

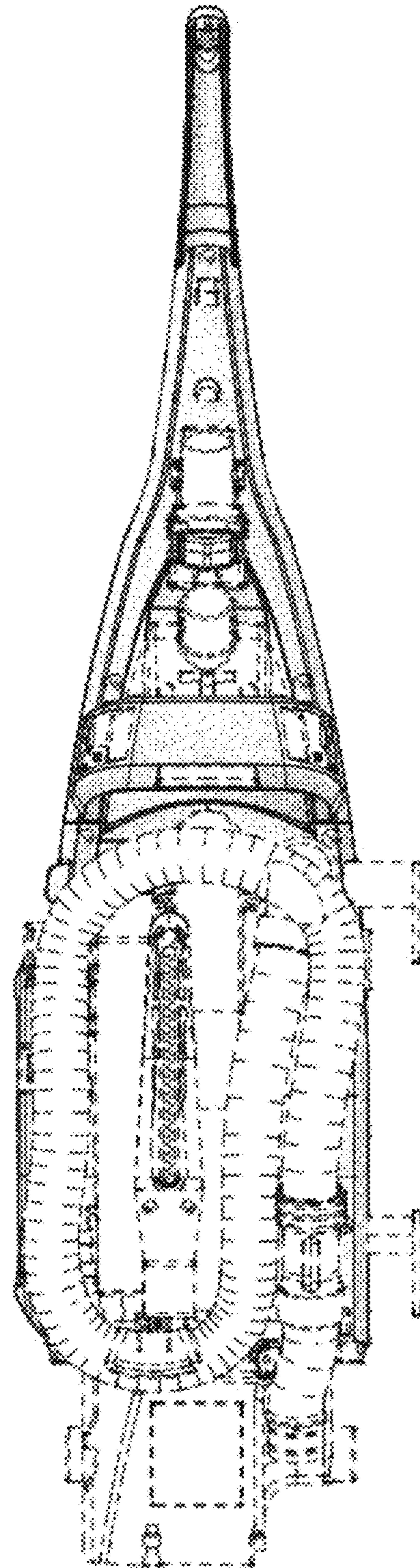


Fig. 3

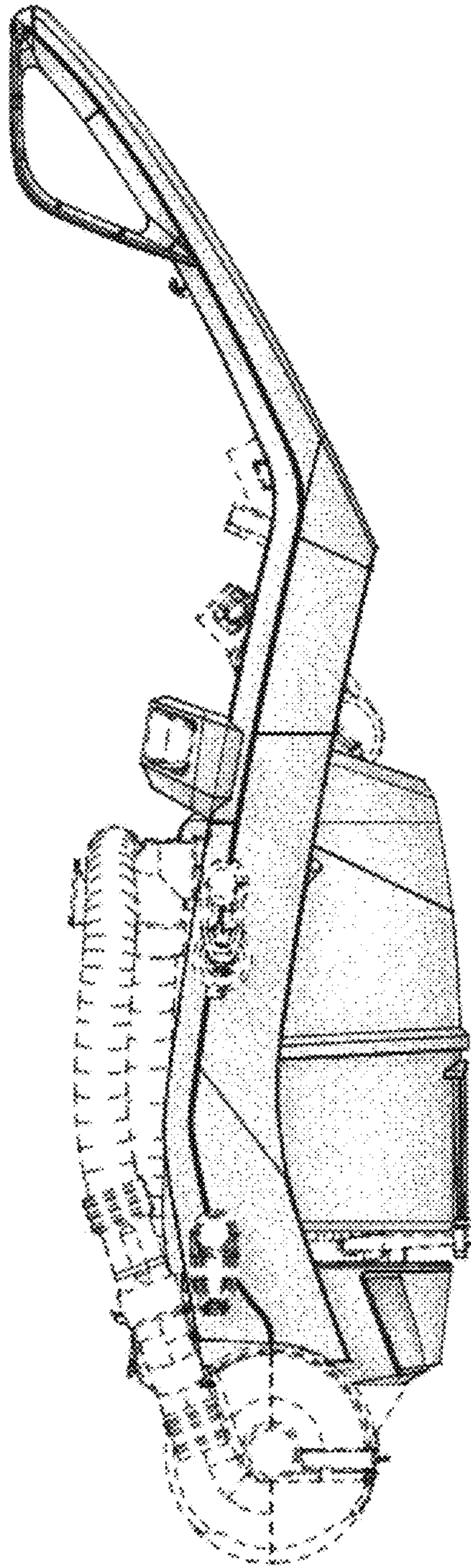


Fig. 4

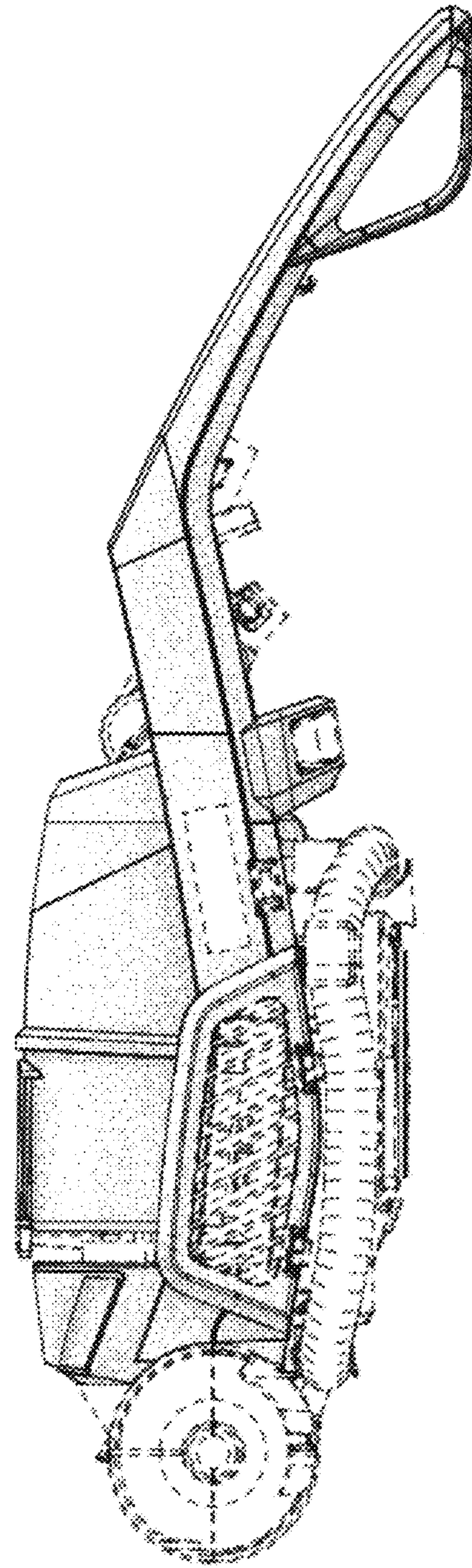


Fig. 5

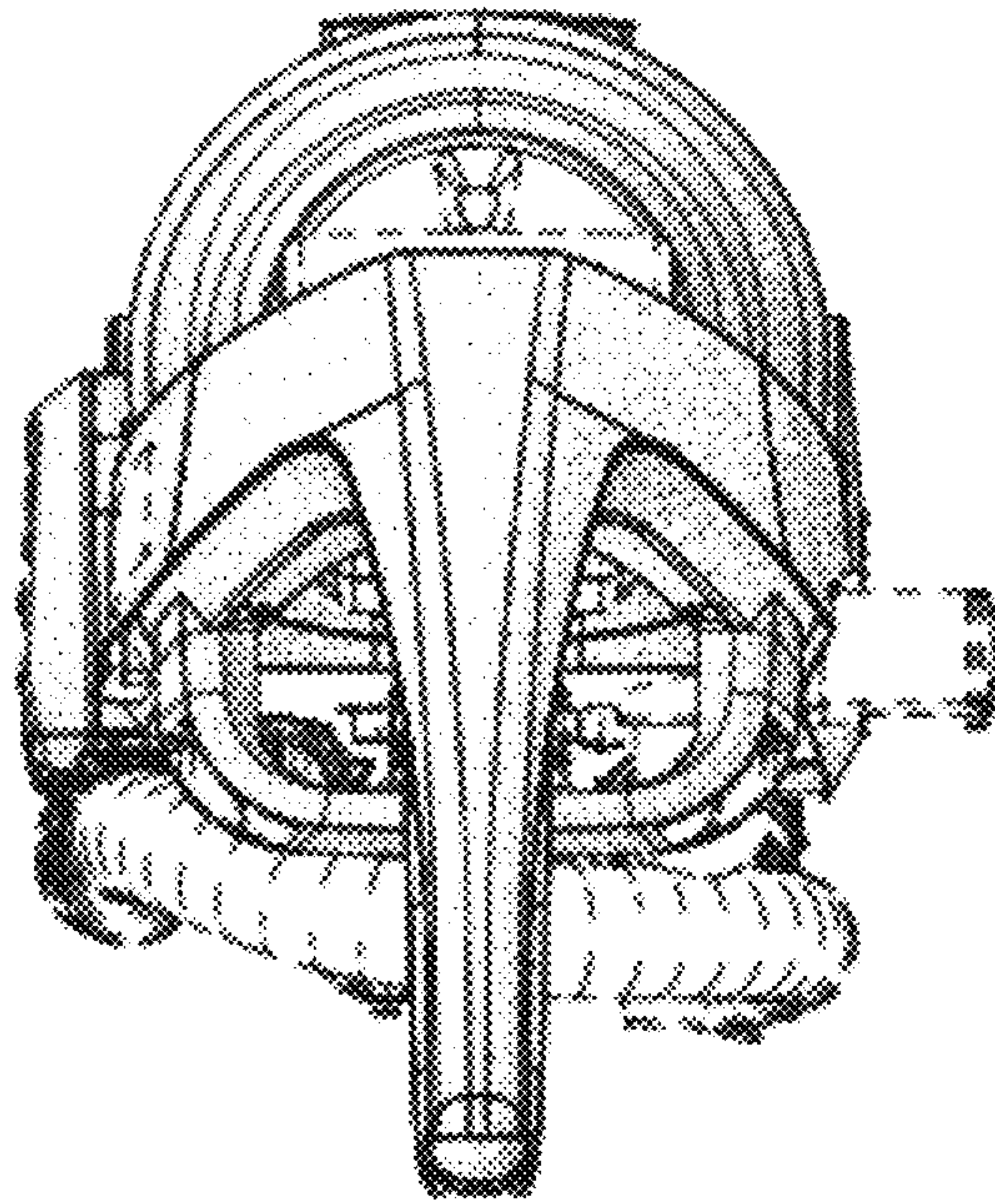


Fig. 6

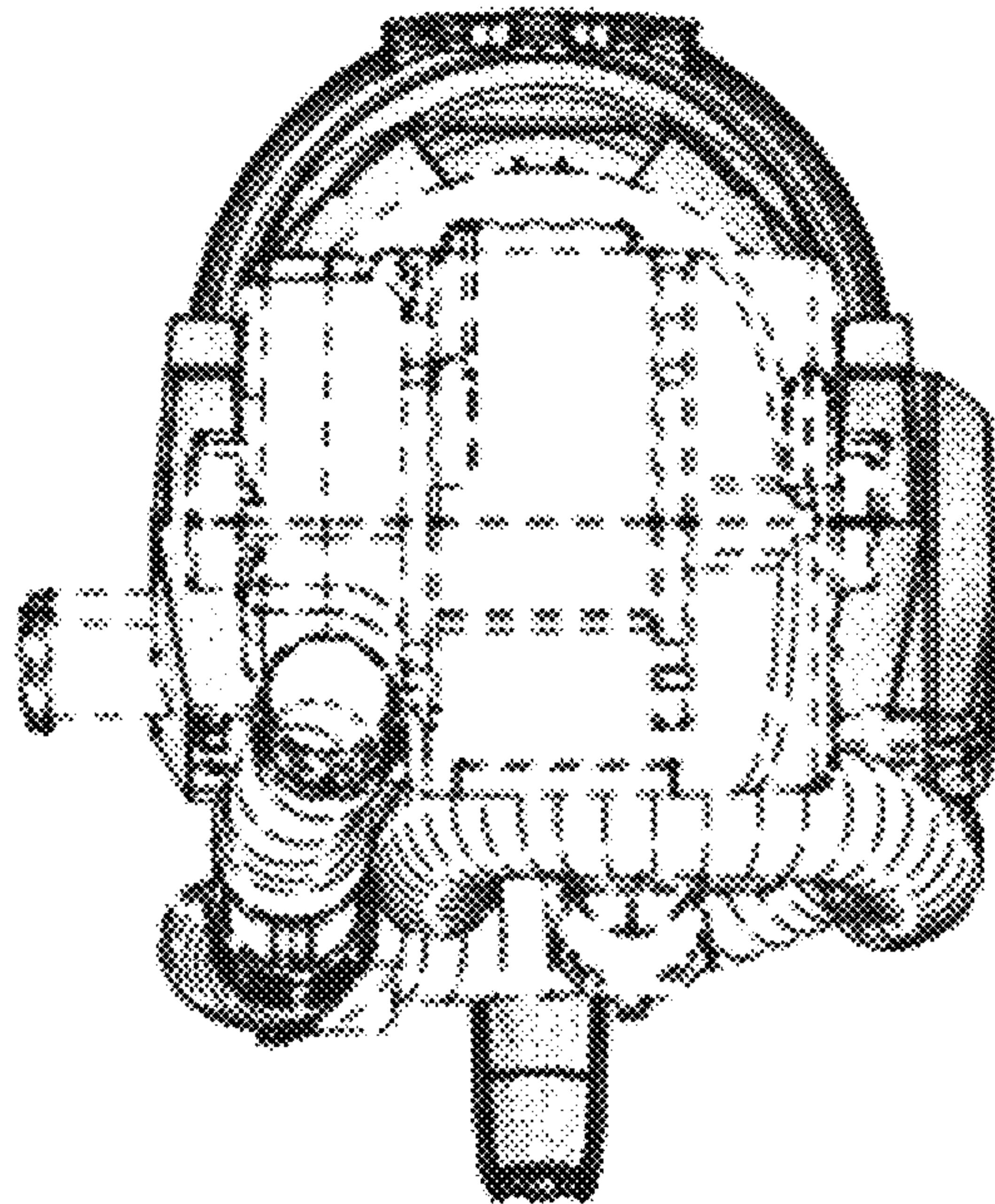


Fig. 7