



US00D670046S

(12) **United States Design Patent**
Theising et al.

(10) **Patent No.:** **US D670,046 S**
(45) **Date of Patent:** **** Oct. 30, 2012**

(54) **COMBINED WET/DRY VACUUM CLEANER**

(75) Inventors: **John L. Theising**, St. Peters, MO (US);
Shane Glasgow, St. Ann, MO (US);
Douglas K. Ritterling, Chesterfield, MO (US)

(73) Assignee: **Emerson Electric Co.**, St. Louis, MO (US)

(**) Term: **14 Years**

(21) Appl. No.: **29/383,742**

(22) Filed: **Jan. 21, 2011**

(51) **LOC (9) Cl.** **15-05**

(52) **U.S. Cl.** **D32/22; D32/21**

(58) **Field of Classification Search** D32/21,
D32/23-24, 30-31; 15/327.1-327, 7, 328,
15/340.1, 340.2, 353, 347, 301, 336, 320,
15/314, 352, 412; 55/447, 337, 345, DIG. 3
See application file for complete search history.

(56) **References Cited**

U.S. PATENT DOCUMENTS

1,572,913 A	2/1926	Finnell	
1,923,689 A	8/1933	Rosenberg	
2,876,484 A	3/1959	Wells	
2,969,557 A	1/1961	Petersen	
3,063,082 A	11/1962	Rosenberg	
3,065,490 A	11/1962	Arones	
4,222,145 A	9/1980	Lowder	
4,616,378 A	10/1986	Berfield et al.	
4,809,396 A	3/1989	Houser	
5,354,347 A	10/1994	McCoy et al.	
5,377,382 A	1/1995	Bores et al.	
5,846,334 A	12/1998	Hoce	
D528,718 S *	9/2006	Tomasiak et al.	D32/21
7,185,389 B2	3/2007	Thomason et al.	
D568,013 S *	4/2008	Crevling et al.	D32/23
D581,111 S *	11/2008	DiPasquale	D32/21
D581,608 S *	11/2008	Dammkoehler et al.	D32/21
D587,868 S *	3/2009	DiPasquale	D32/21
7,533,435 B2	5/2009	Pedlar et al.	
D615,258 S *	5/2010	Dammkoehler	D32/23

OTHER PUBLICATIONS

Nobles Industries Typhoon Wet/Dry Vacuum Operator & Parts Manual, Models WD12107P, WD1292, Rev. 02 (Jul. 1996), obtained from Michigan Company Inc., <http://www.Michco.com>.
Nobles Industries Battery Typhoon Wet/Dry Vacuum Operator & Parts Manual, Model WD16BATT, Rev. 01 (Dec. 1994), obtained from Michigan Company Inc., <http://www.Michco.com>.
Nobles Industries Typhoon EV Extra Value Wet/Dry Vacuum Operator & Parts Manual, Model WD1592EV-120V, Rev. 03 (Oct. 1997), obtained from Michigan Company Inc., <http://www.Michco.com>.
Nobles Industries Typhoon Wet/Dry Vacuum Operator & Parts Manual, Model WD16BATT, Rev. 03 (Jun. 1997), obtained from Michigan Company Inc., <http://www.Michco.com>.
Nilfisk Advance SW 700 B Parts List, Form No. 56042392(1)99-09, obtained from Michigan Company, Inc., <http://www.Michco.com>.
Nobles Industries, Inc., Model 680 and 680T Wet-n-Dry vacuum assembly starting with serial No. 4709; obtained from Michigan Company, Inc., <http://www.Michco.com>.

* cited by examiner

Primary Examiner — Ruth McInroy

(74) *Attorney, Agent, or Firm* — Sutton McAughan Deaver, PLLC

(57) **CLAIM**

We claim the ornamental design for a combined wet/dry vacuum cleaner, as shown and described.

DESCRIPTION

FIG. 1 is an isometric front perspective view of a wet/dry vacuum;
FIG. 2 is a front elevational view thereof;
FIG. 3 is a rear elevational view thereof;
FIG. 4 is a side thereof;
FIG. 5 is a side view showing the side opposite that shown in FIG. 4; and,
FIG. 6 is a top view thereof.
The broken lines in the Figures are for the purpose of illustrating exemplary environmental structure and forms no part of the claimed design.

1 Claim, 6 Drawing Sheets

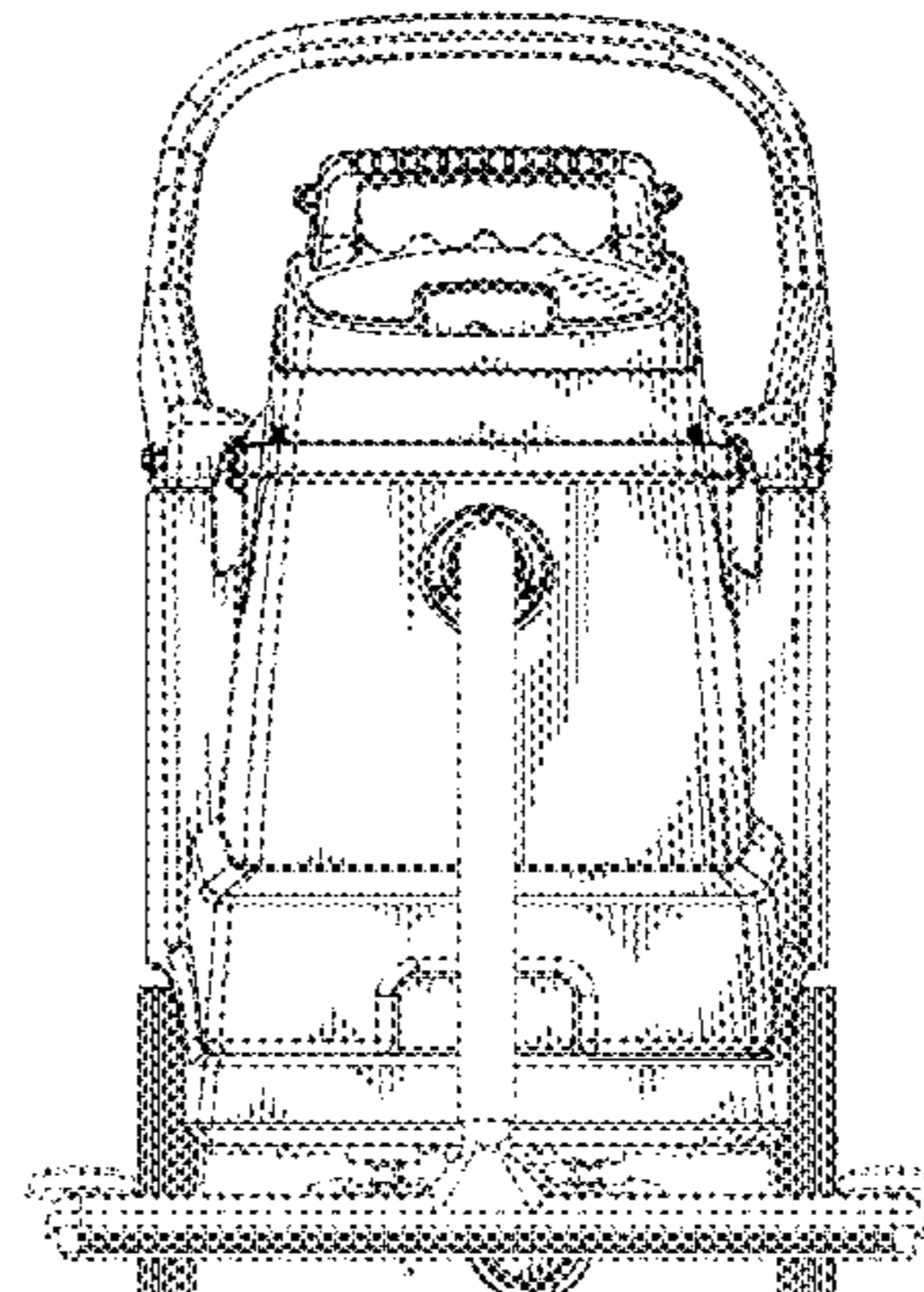
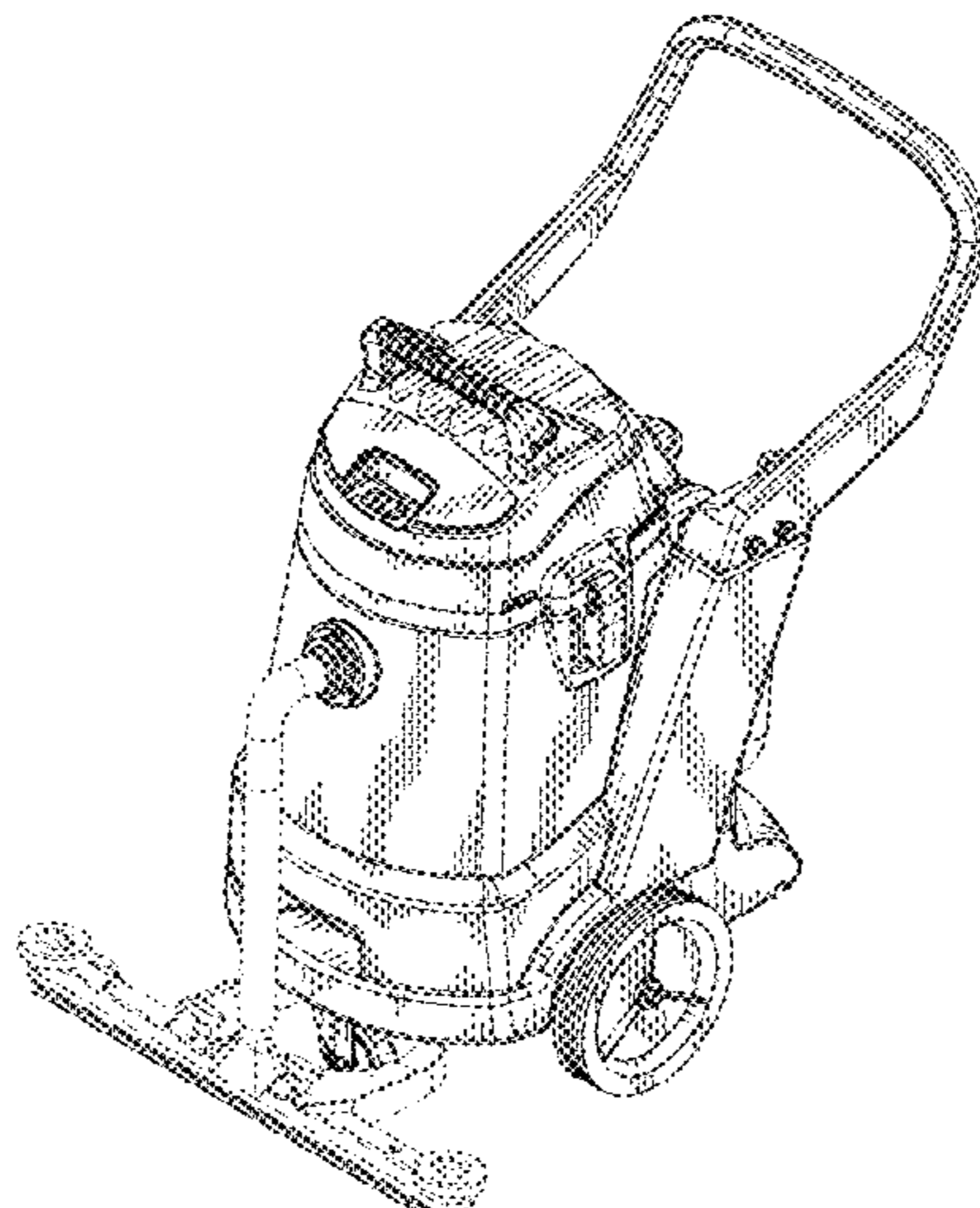




FIG. 1

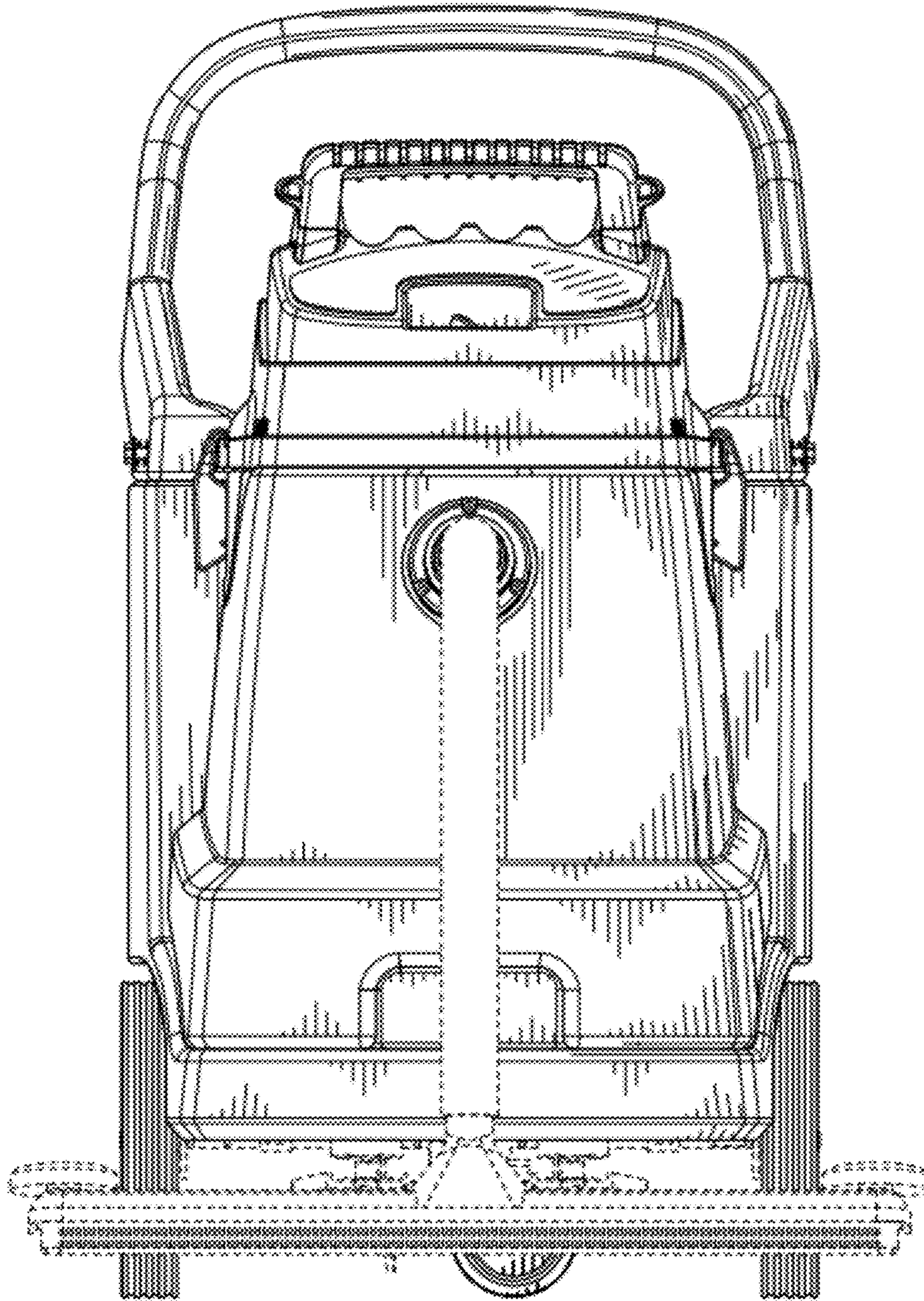


FIG. 2

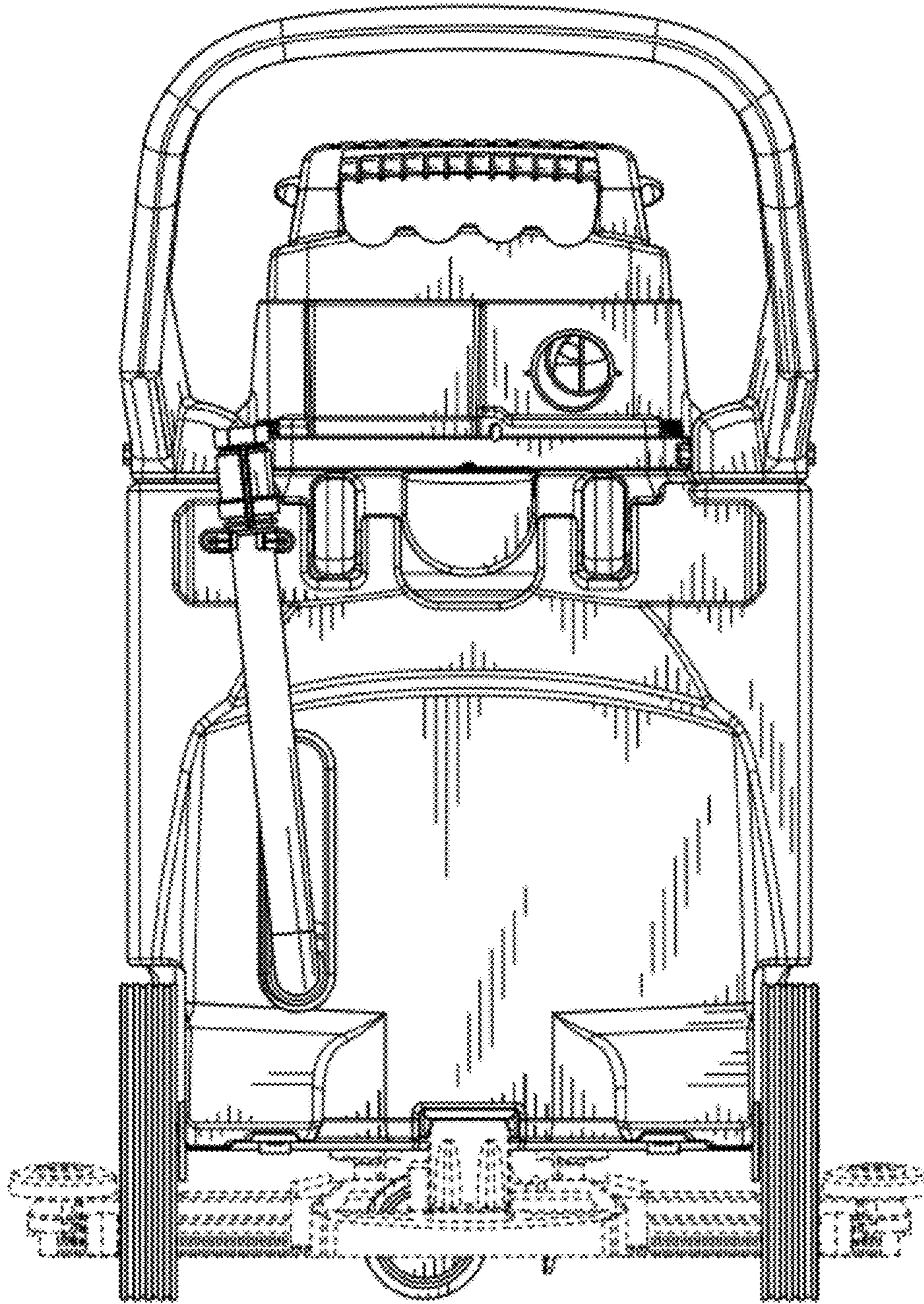


FIG. 3

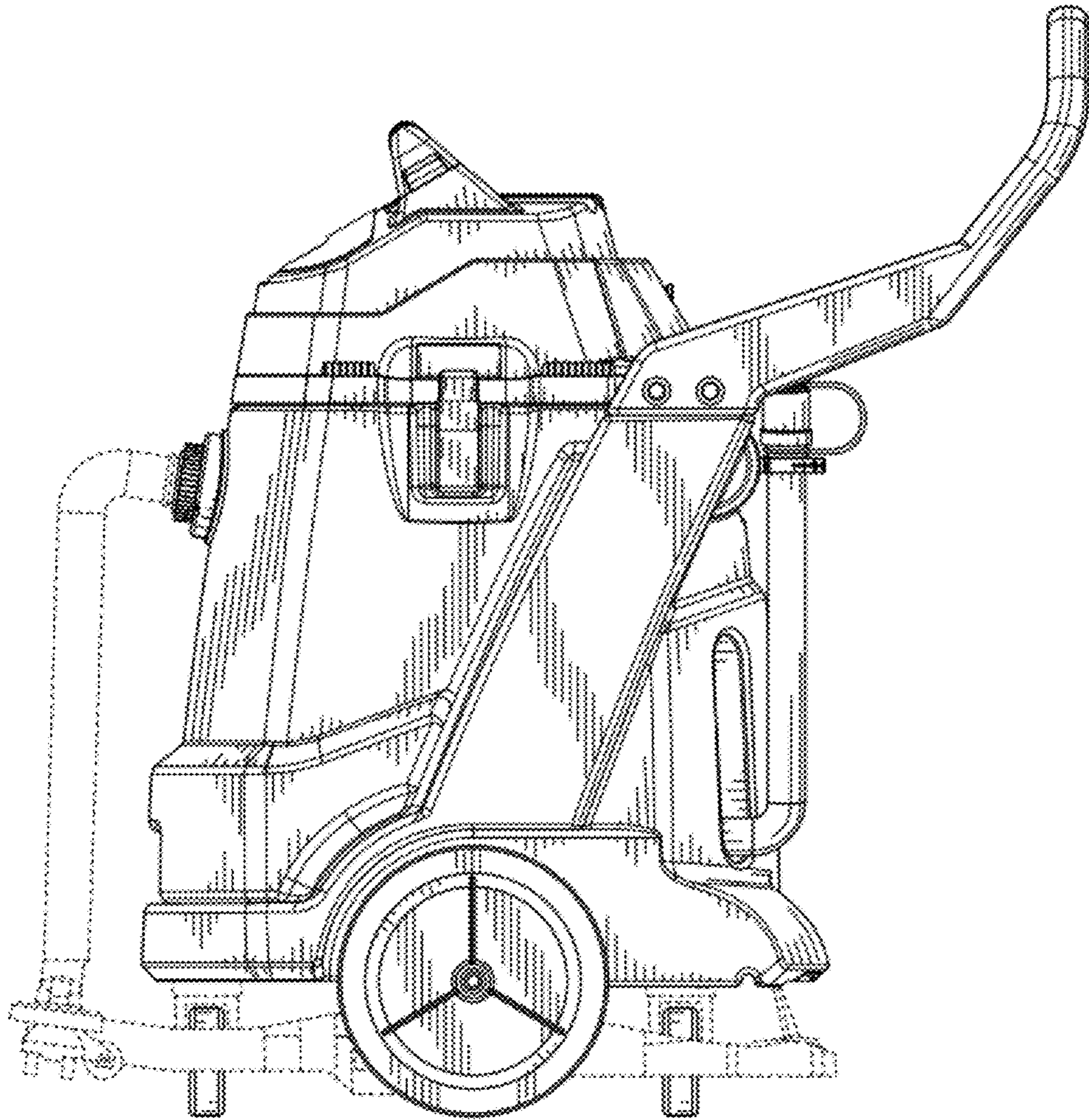


FIG. 4

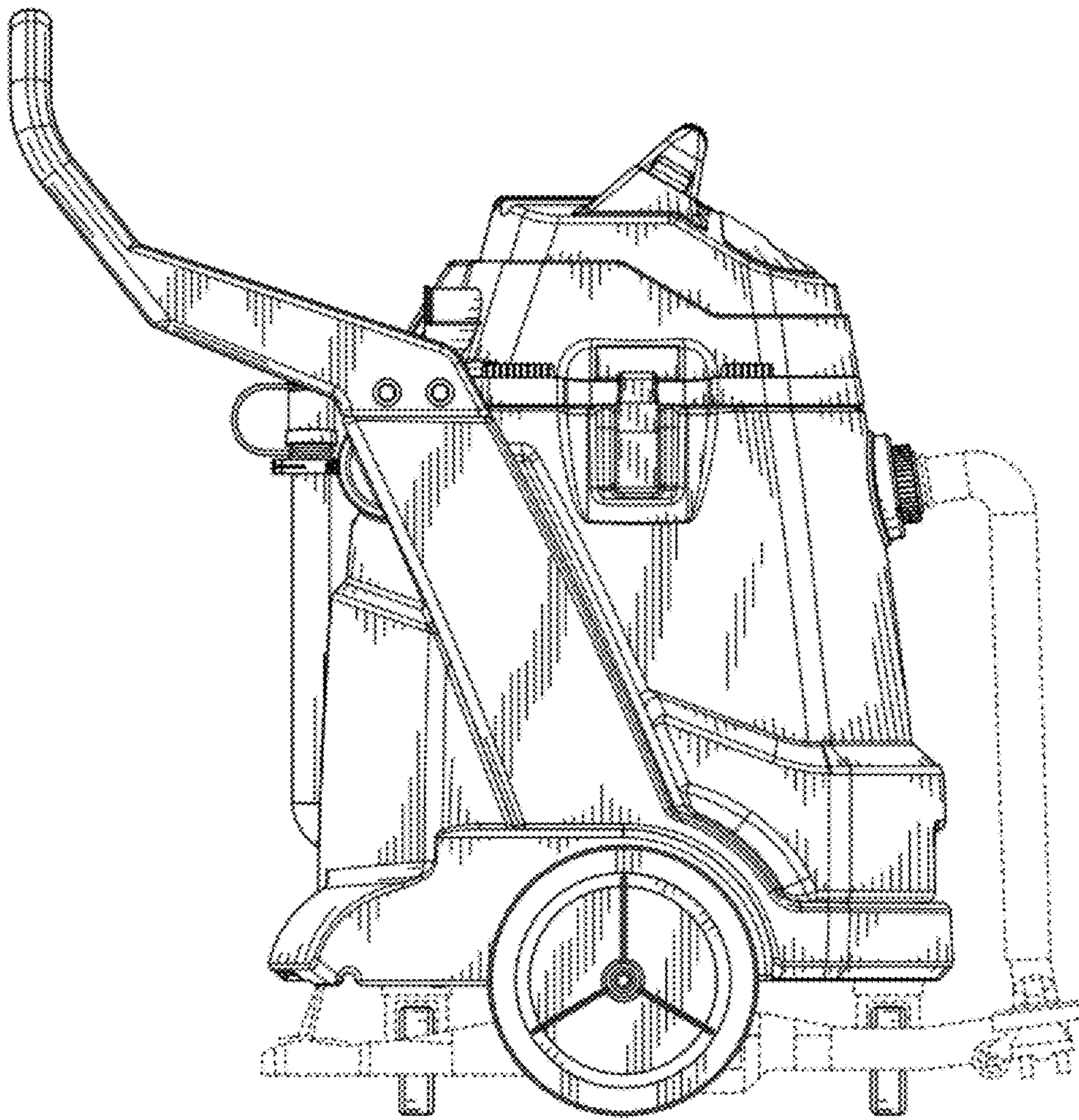


FIG. 5

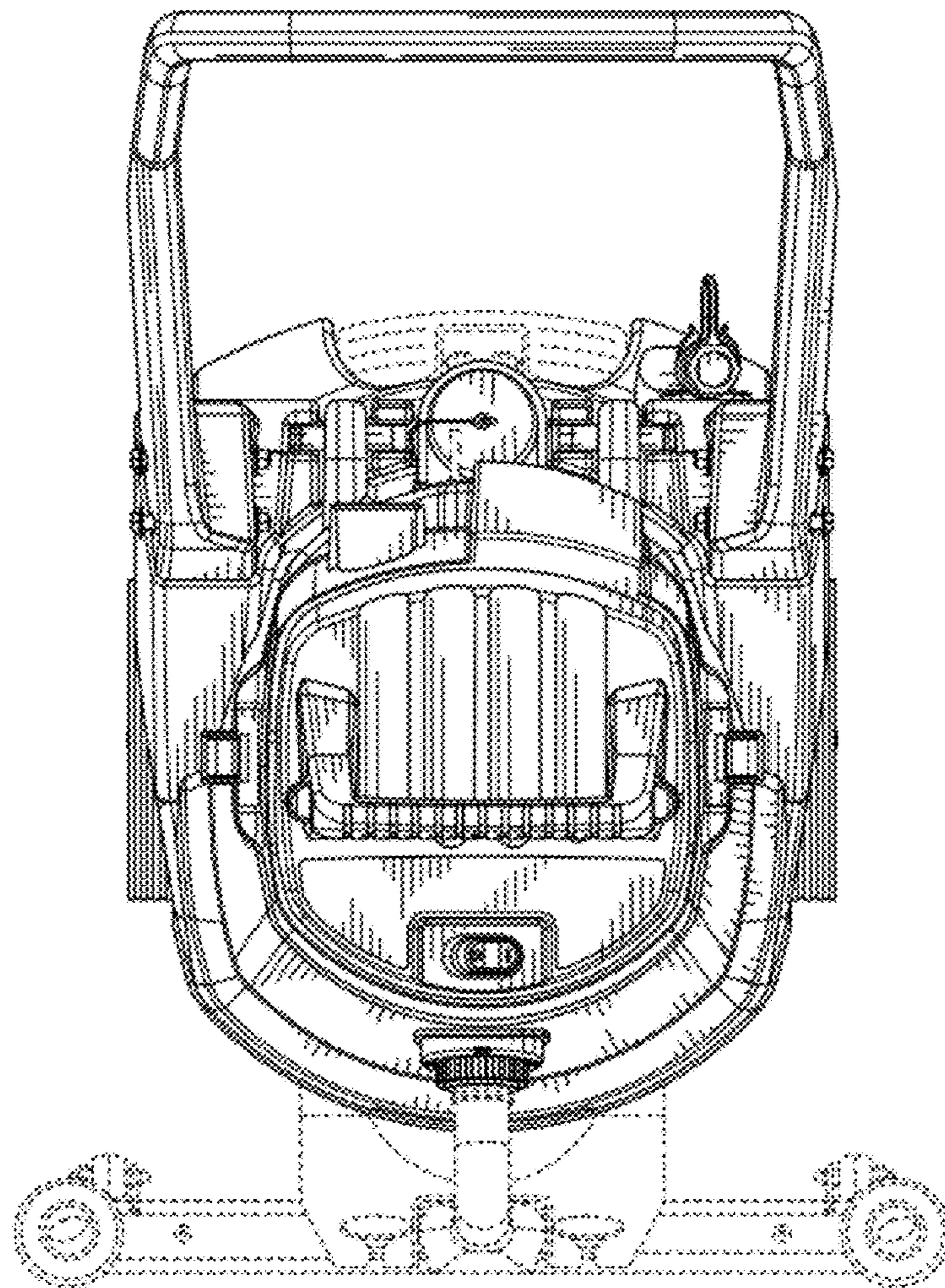


FIG. 6