



US00D670045S

(12) **United States Design Patent**  
**Crevling, Jr. et al.**

(10) **Patent No.:** **US D670,045 S**

(45) **Date of Patent:** **\*\* Oct. 30, 2012**

(54) **WALL-MOUNTABLE VACUUM CLEANER**

(75) Inventors: **Robert Lent Crevling, Jr.**, Cogan Station, PA (US); **Jason Gottschall**, South Williamsport, PA (US); **Kevin D. Fry**, South Williamsport, PA (US); **John Griffin**, Phoenix, AZ (US)

(73) Assignee: **Shop Vac Corporation**, Williamsport, PA (US)

(\*\*) Term: **14 Years**

(21) Appl. No.: **29/380,073**

(22) Filed: **Nov. 30, 2010**

(51) **LOC (9) Cl.** ..... **15-05**

(52) **U.S. Cl.** ..... **D32/21**

(58) **Field of Classification Search** ..... D32/21, D32/23-24, 30-31, 18; 15/327.1-327, 7, 15/328, 340.1, 340.2, 353, 347, 301, 336, 15/320, 314, 352, 412, 344, 329; 55/447, 55/337, 345, DIG. 3

See application file for complete search history.

(56) **References Cited**

U.S. PATENT DOCUMENTS

D294,187	S	*	2/1988	Bertuzzo	.....	D32/21
D399,030	S	*	9/1998	Lopes	.....	D32/21
6,557,206	B1	*	5/2003	Liu	.....	15/327.5
D506,298	S	*	6/2005	Schmitt	.....	D32/21
D520,689	S	*	5/2006	Eccardt et al.	.....	D32/21
D537,580	S	*	2/2007	Zimmerle et al.	.....	D32/21
D537,582	S	*	2/2007	Zimmerle et al.	.....	D32/21
D538,493	S	*	3/2007	Zimmerle et al.	.....	D32/21
D539,491	S	*	3/2007	Kim	.....	D32/21
D549,903	S	*	8/2007	Eccardt et al.	.....	D32/21

7,421,760	B2	*	9/2008	Zimmerle et al.	.....	15/323
D617,962	S	*	6/2010	Clepper et al.	.....	D32/21
D618,408	S	*	6/2010	Clepper et al.	.....	D32/21
D640,022	S	*	6/2011	Paterson et al.	.....	D32/21
D641,110	S	*	7/2011	Lapalme et al.	.....	D32/18
2006/0196002	A1	*	9/2006	Schlapkohl	.....	15/301
2007/0017059	A1	*	1/2007	Zimmerle et al.	.....	15/315
2011/0119860	A1	*	5/2011	Marcil et al.	.....	15/314

\* cited by examiner

*Primary Examiner* — Ruth McInroy

(74) *Attorney, Agent, or Firm* — Marshall, Gerstein & Borun LLP; Richard M. LaBarge; Robert M. Gerstein

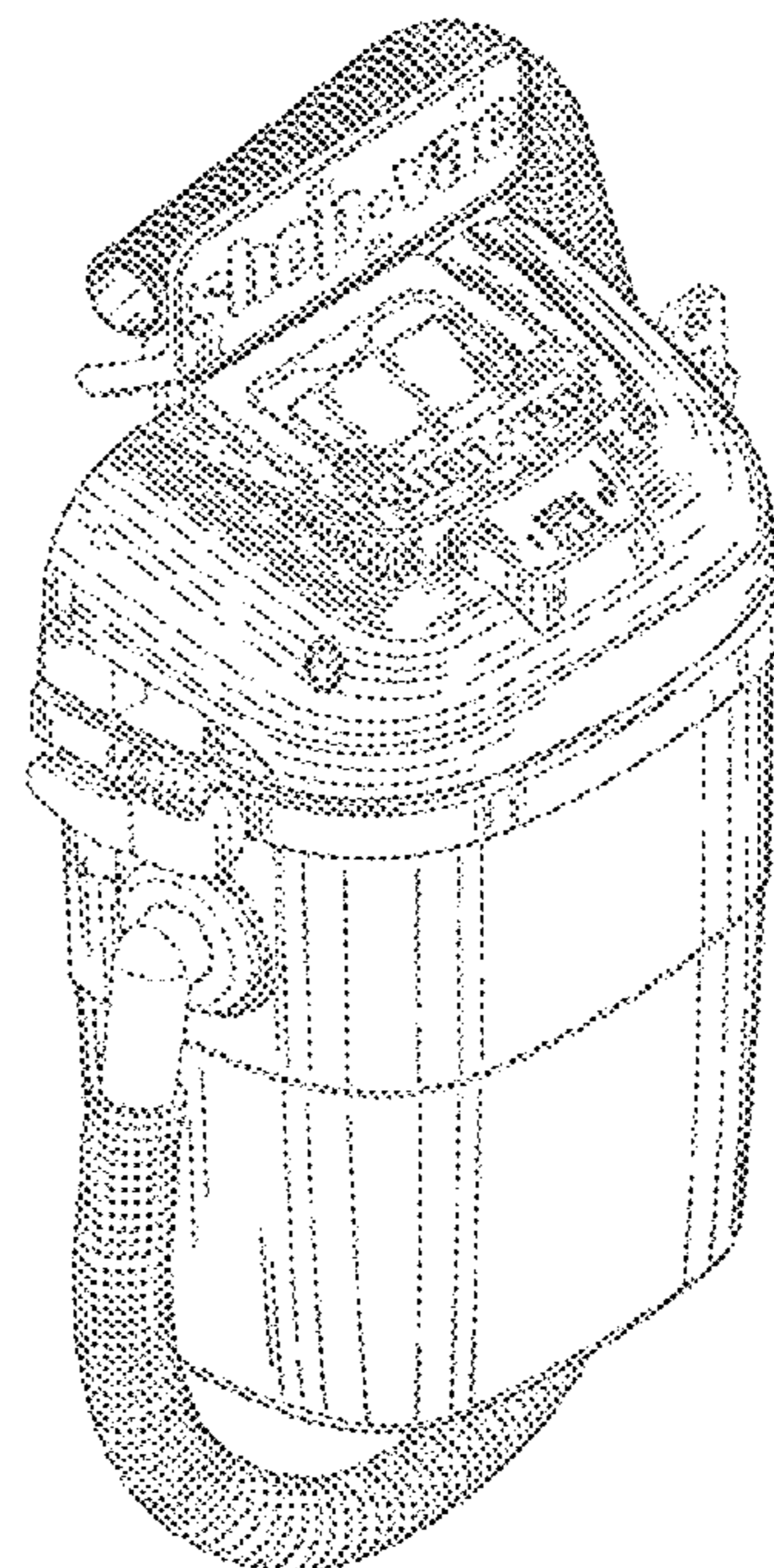
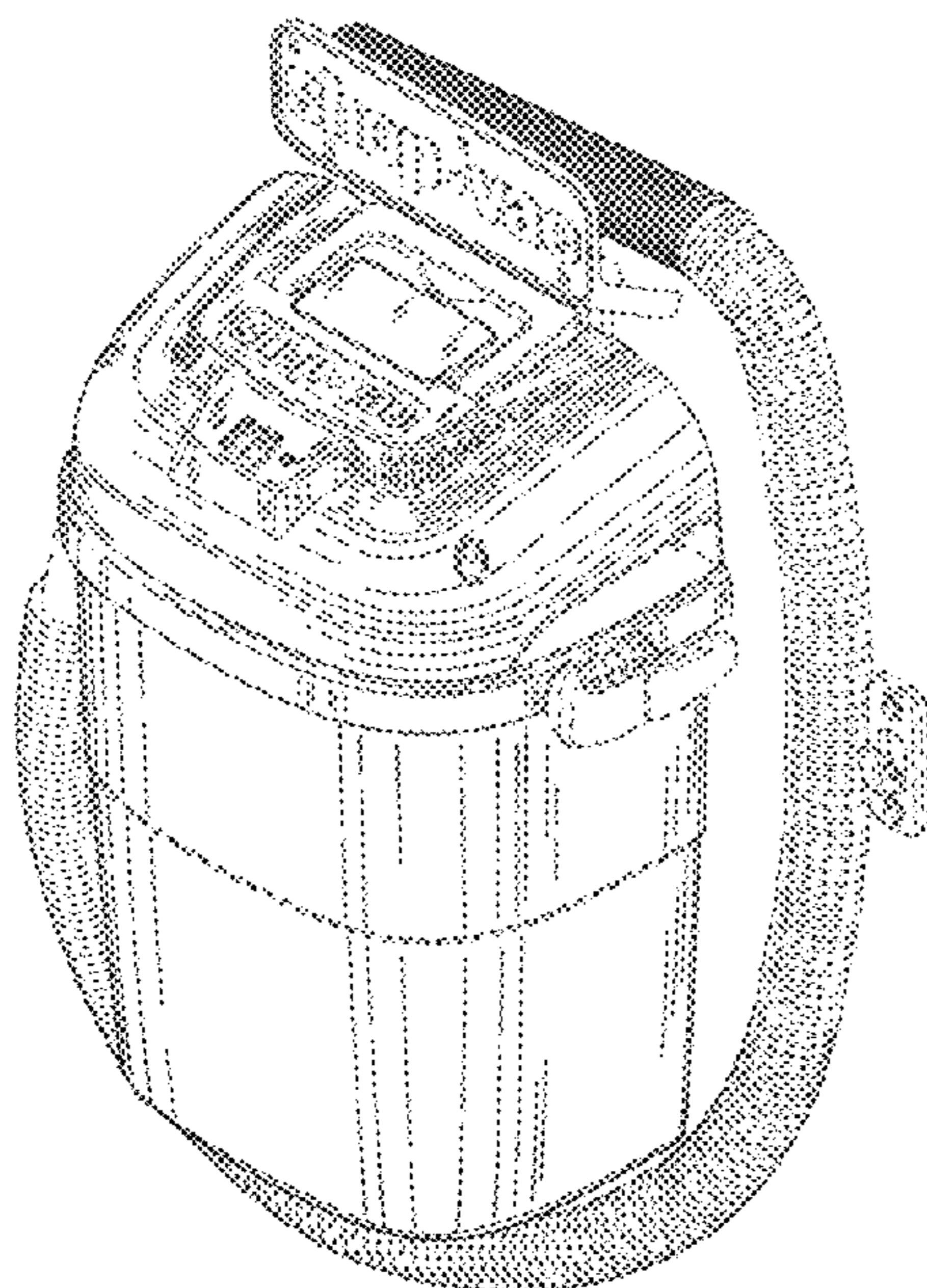
(57) **CLAIM**

The ornamental design for a wall-mountable vacuum cleaner, as shown and described.

**DESCRIPTION**

FIG. 1 is a front, top and right side perspective view of a wall-mountable vacuum cleaner showing our new design; FIG. 2 is a front, top and left side perspective view thereof; FIG. 3 is an enlarged front, top and right side perspective view of the bracket; FIG. 4 is a front elevation view of the vacuum cleaner; FIG. 5 is a left side elevation view of the vacuum cleaner; FIG. 6 is a rear elevation view of the vacuum cleaner; FIG. 7 is a right side elevation view of the vacuum cleaner; FIG. 8 is a top plan view of the vacuum cleaner; and, FIG. 9 is a bottom plan view of the vacuum cleaner. The claim is directed to the assembled views shown in FIGS. 1 and 2. FIGS. 3-9 are shown separate for clarity of illustration. The details shown in broken lines form no part of the claimed design.

**1 Claim, 9 Drawing Sheets**



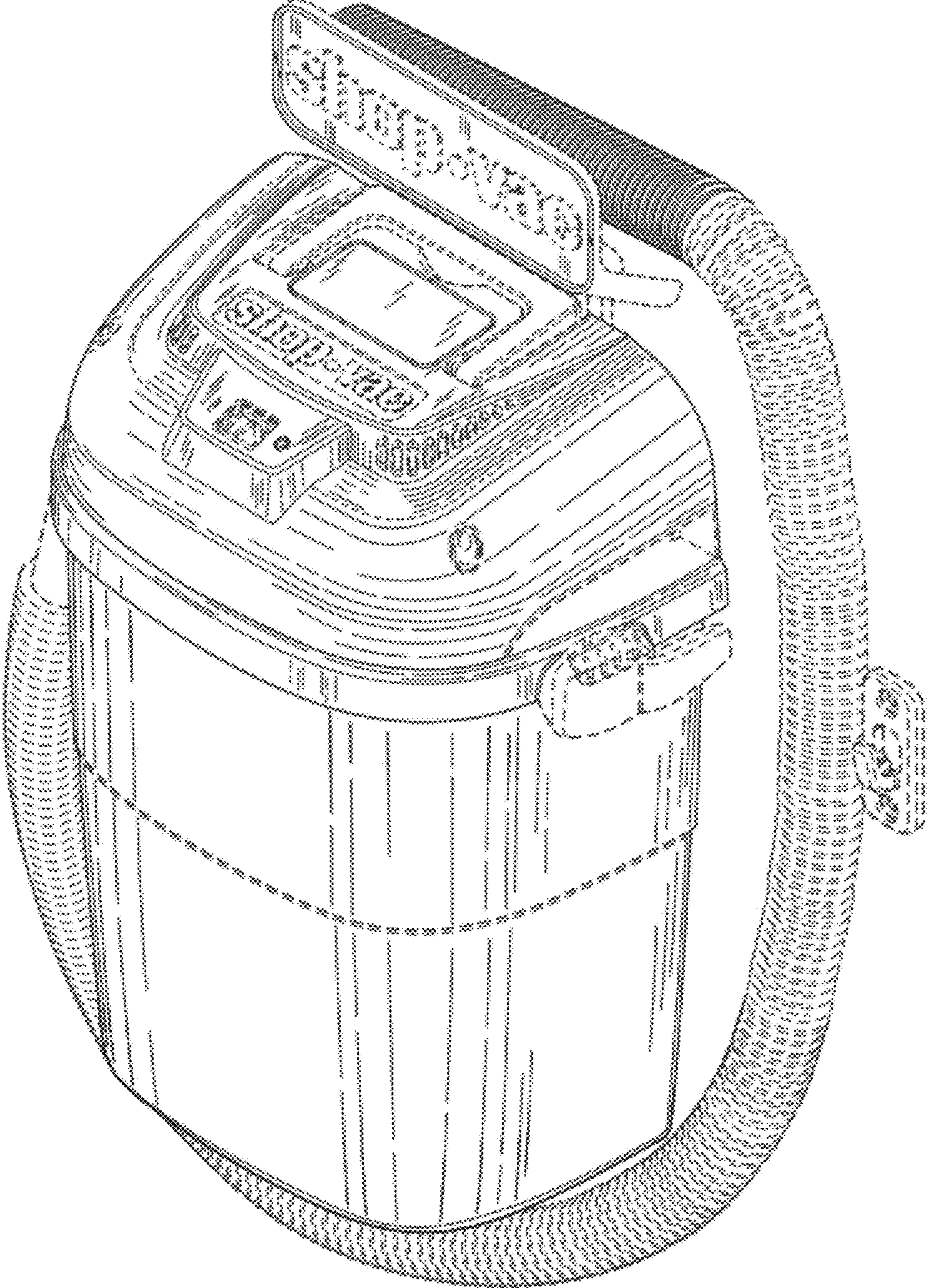


FIG. 1

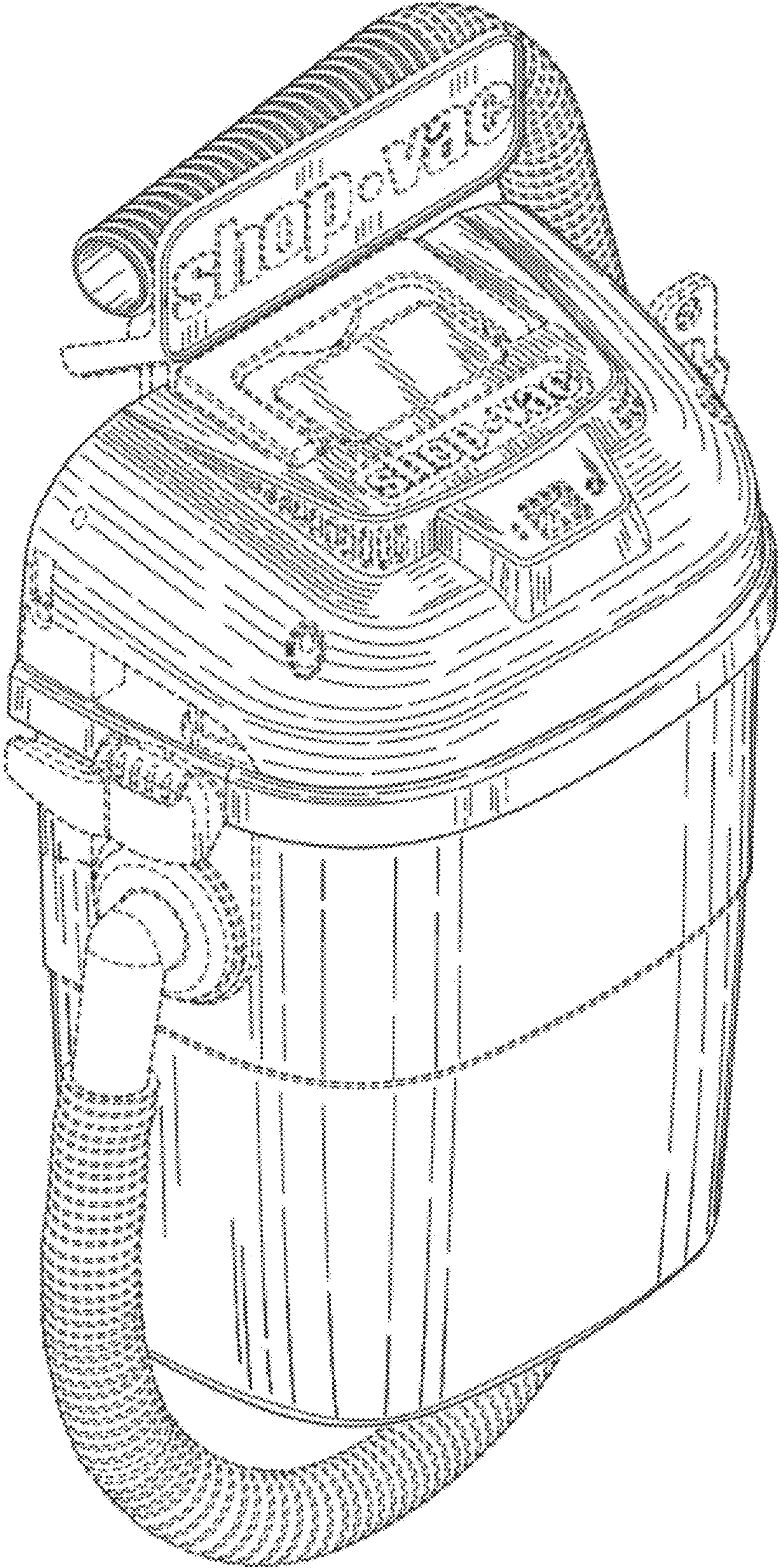
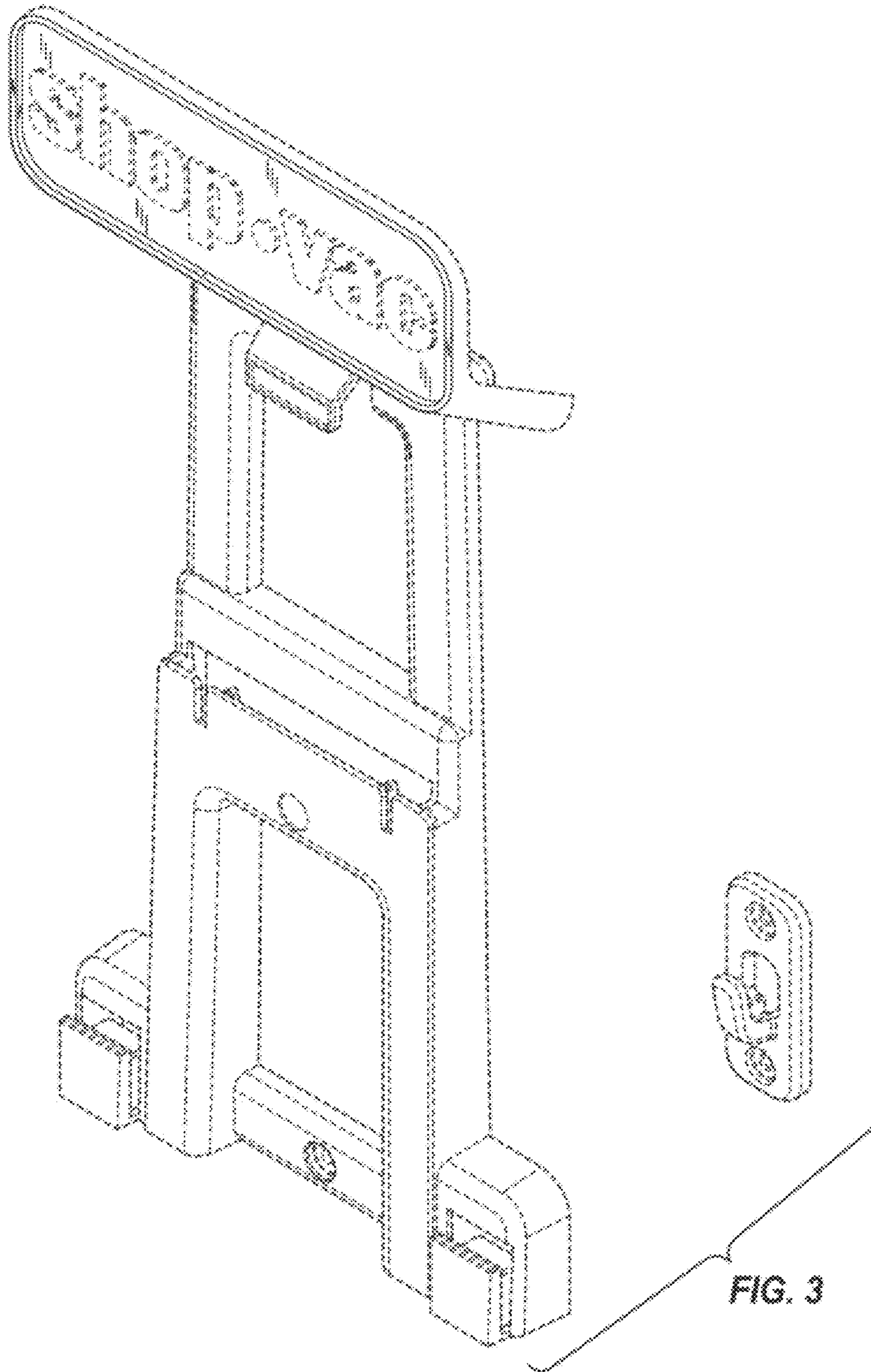


FIG. 2



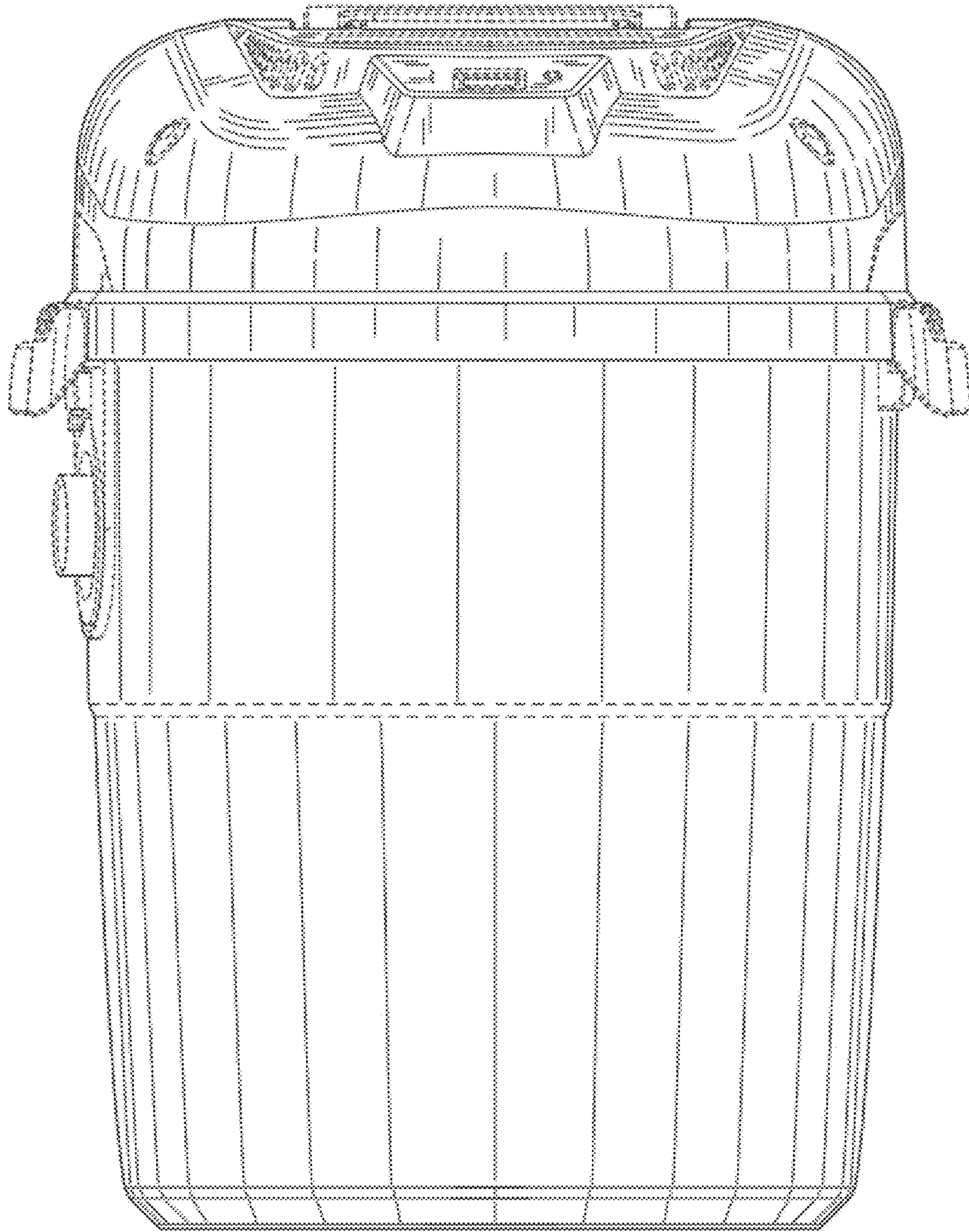


FIG. 4

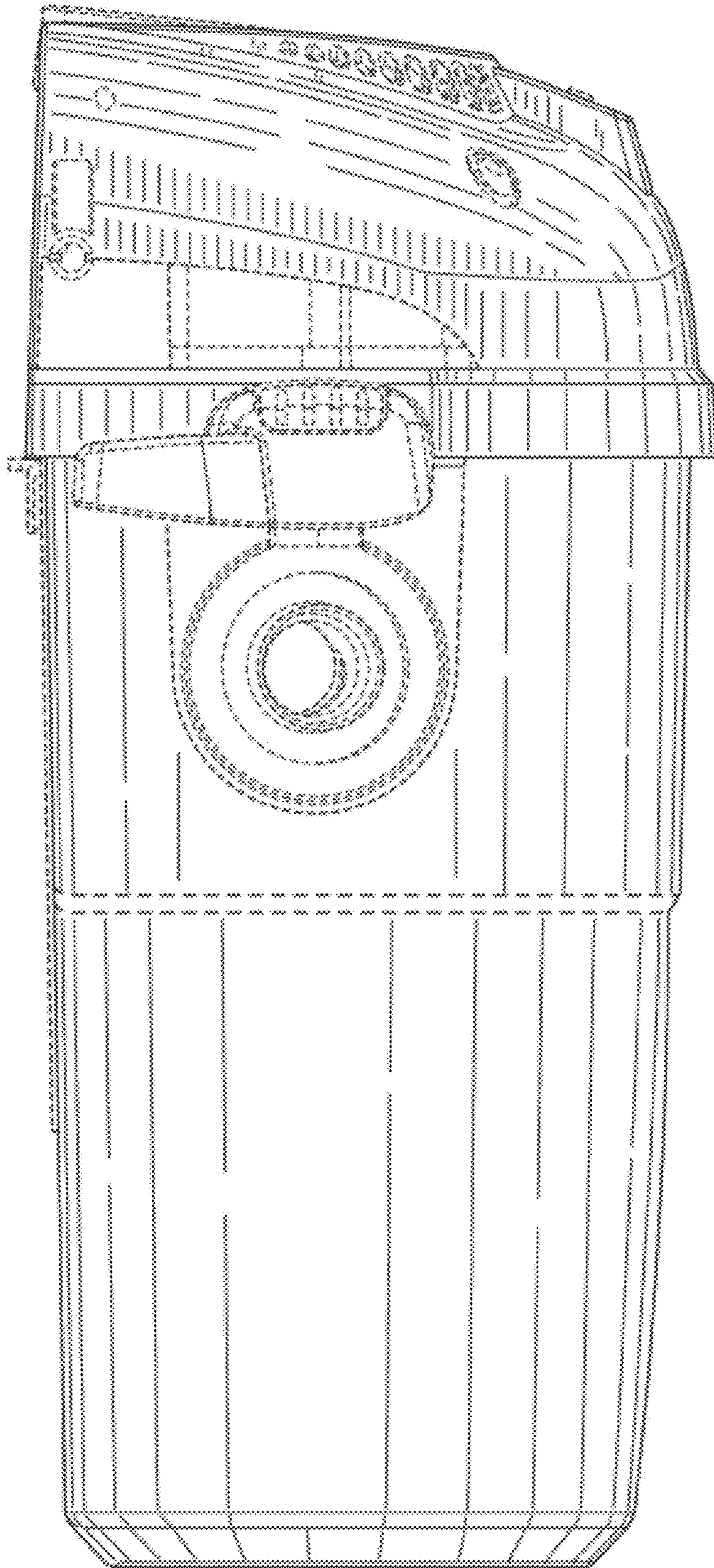


FIG. 5

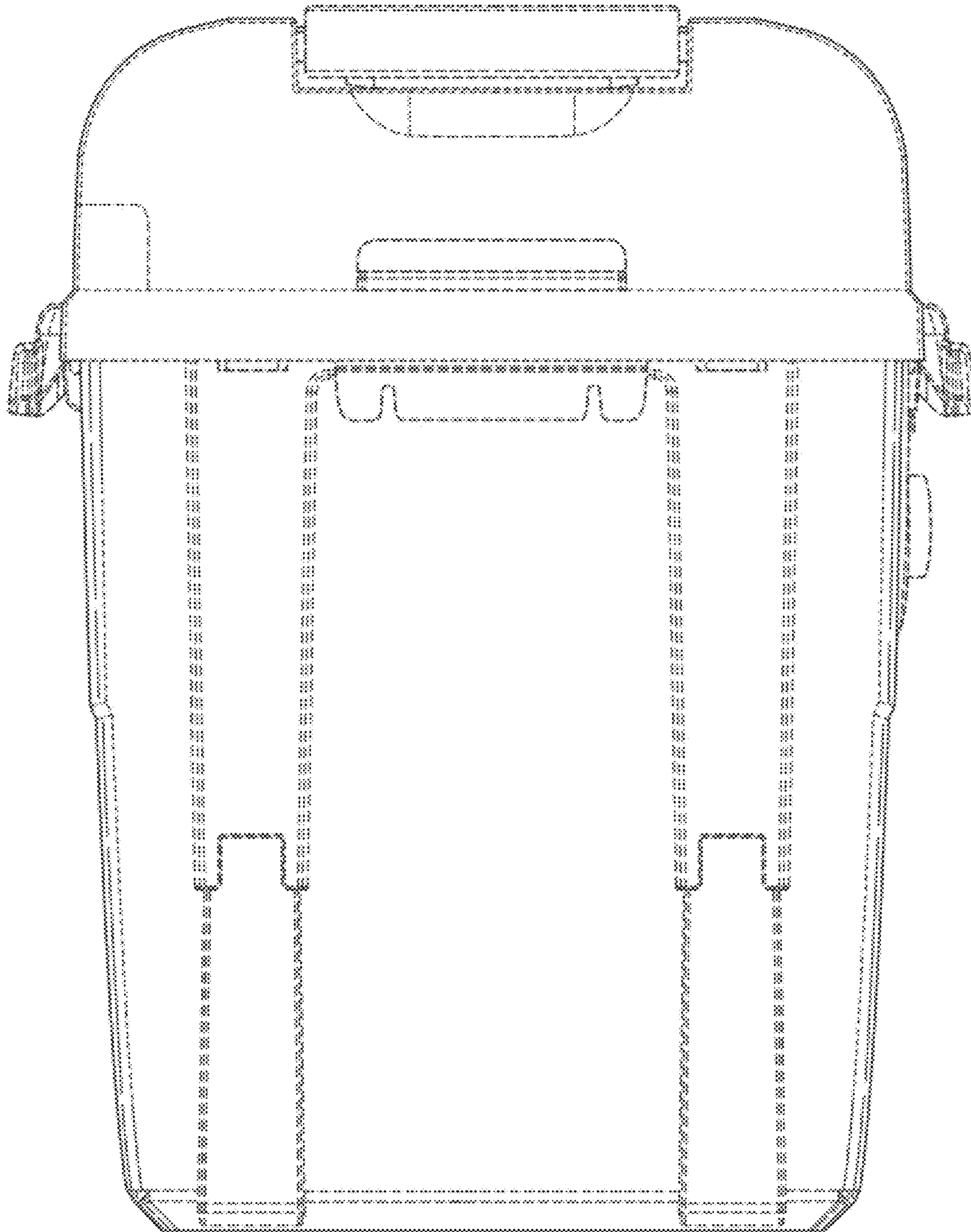


FIG. 6

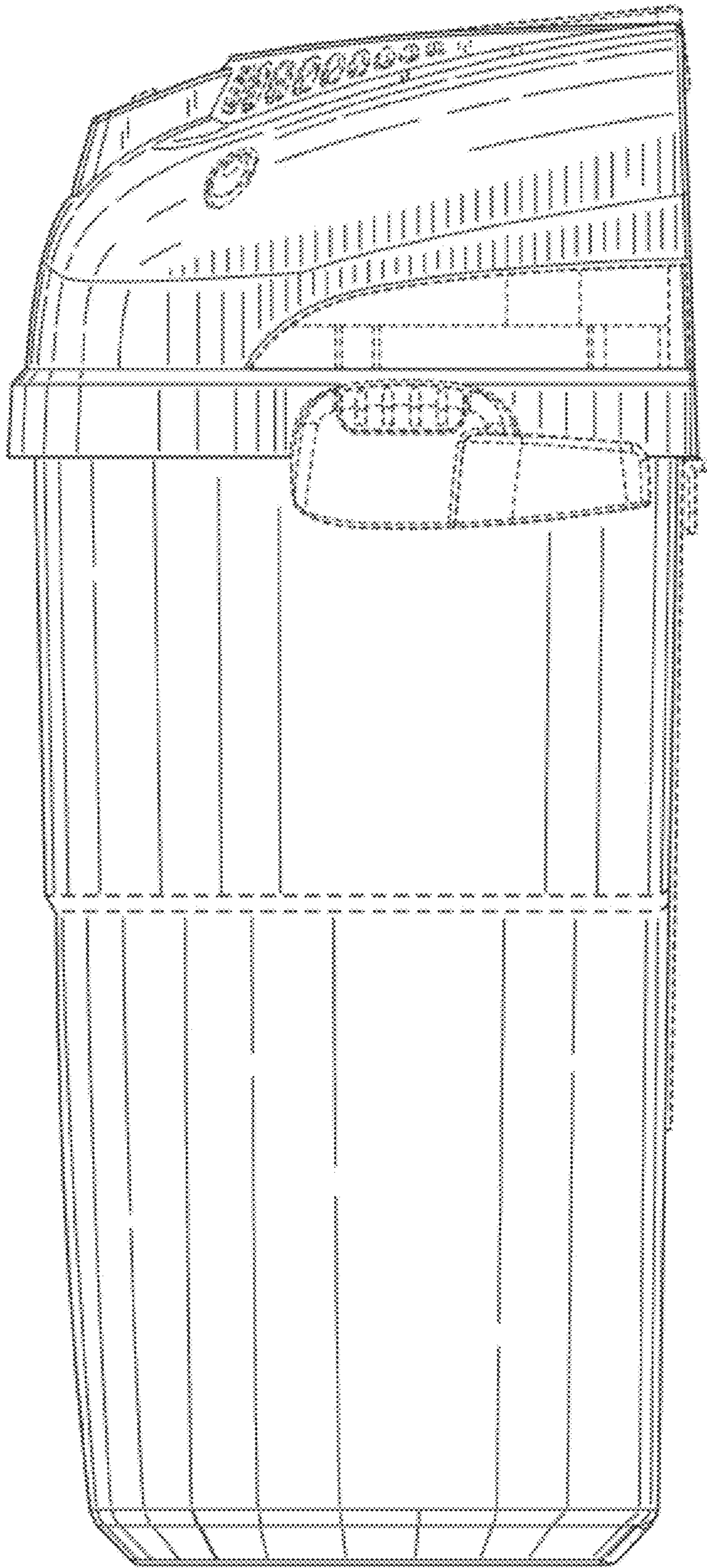


FIG. 7



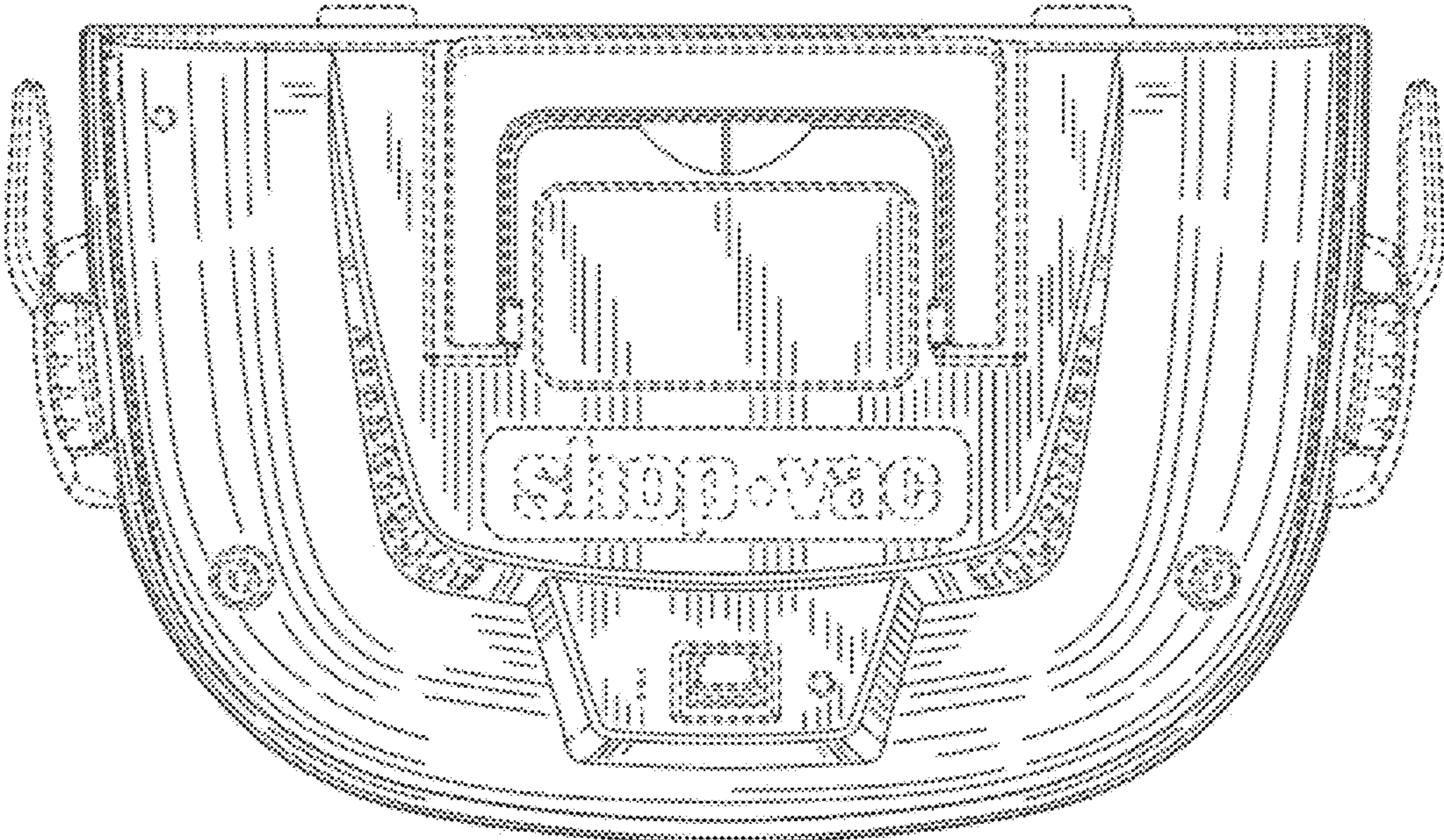


FIG. 8

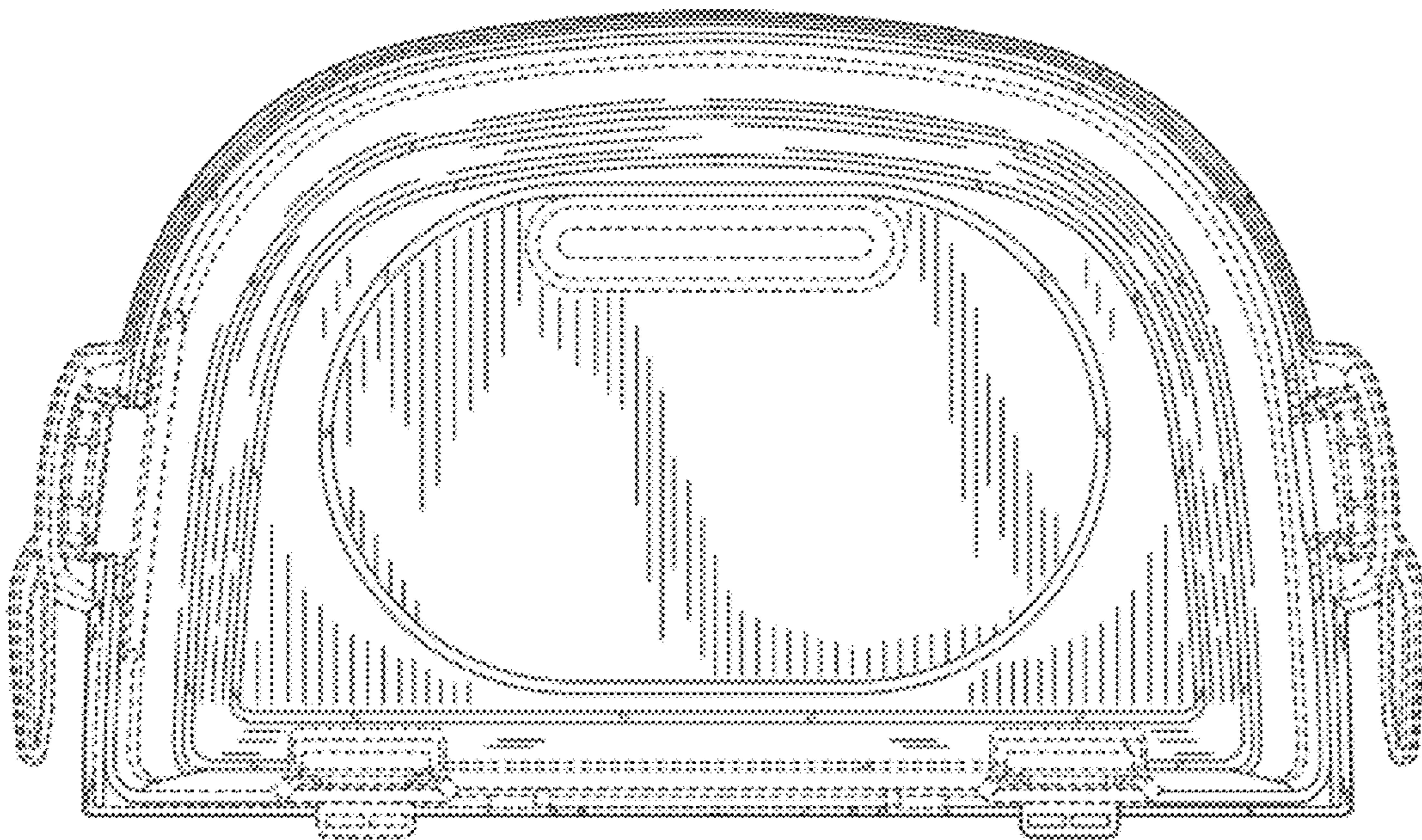


FIG. 9