



US00D670040S

(12) **United States Design Patent**
Aboujaoude

(10) **Patent No.:** **US D670,040 S**
(45) **Date of Patent:** **** Oct. 30, 2012**

- (54) **PET EXERCISE BALL**
- (75) Inventor: **Jodi F. Aboujaoude**, West Henrietta, NY (US)
- (73) Assignee: **Alverstone Enterprises, Inc.**, West Henrietta, NY (US)
- (**) Term: **14 Years**
- (21) Appl. No.: **29/401,577**
- (22) Filed: **Sep. 13, 2011**
- (51) **LOC (9) Cl.** **30-02**
- (52) **U.S. Cl.** **D30/117**
- (58) **Field of Classification Search** D30/108-117, D30/158, 160; 119/6.5, 28.5, 421, 452, 474-475, 119/498, 707, 416
See application file for complete search history.

6,109,210	A	8/2000	Nasser	
6,186,095	B1	2/2001	Simon	
6,237,538	B1	5/2001	Tsengas	
D443,956	S *	6/2001	Rudnick	D30/108
D444,921	S *	7/2001	Plante	D30/108
6,363,658	B1	4/2002	Lai	
6,397,782	B1 *	6/2002	Cope et al.	119/452
6,550,427	B2	4/2003	Bonner	
6,578,527	B1	6/2003	Mathers	
6,725,805	B1 *	4/2004	Bach	119/421
6,935,274	B1	8/2005	Rothschild	
D511,029	S	10/2005	Willinger	
D533,971	S *	12/2006	Carter et al.	D30/108
7,367,283	B2	5/2008	Aboujaoude et al.	
D584,457	S *	1/2009	Plante	D30/108
D636,538	S *	4/2011	Ragonetti et al.	D30/108
D653,404	S *	1/2012	Wong	D30/108
8,161,913	B1 *	4/2012	Barfield	119/700

* cited by examiner

Primary Examiner — Cathy A MacCormac
(74) *Attorney, Agent, or Firm* — Woods Oviatt Gilman LLP

(56) **References Cited**

U.S. PATENT DOCUMENTS

2,687,302	A	8/1954	Stiegler	
3,679,212	A	7/1972	Smith	
3,687,110	A *	8/1972	Braunhut	119/6.5
3,785,347	A *	1/1974	Dinnerstein	D30/160
D240,238	S *	6/1976	Perkins et al.	D30/117
4,321,888	A	3/1982	Topliffe	
D287,988	S	1/1987	Billinghurst	
D291,426	S *	8/1987	Husbands	D11/145
D317,518	S *	6/1991	Kohus	D30/109
5,116,255	A	5/1992	Keeling et al.	
D335,003	S *	4/1993	O'Connell	D30/108
5,351,650	A	10/1994	Graves	
5,533,920	A	7/1996	Arad et al.	
5,722,348	A *	3/1998	Phillips et al.	119/452
5,813,366	A	9/1998	Mauldin, Jr.	
5,965,182	A	10/1999	Lindgren	
6,073,581	A	6/2000	Wang	
6,098,571	A	8/2000	Axelrod et al.	

(57) **CLAIM**

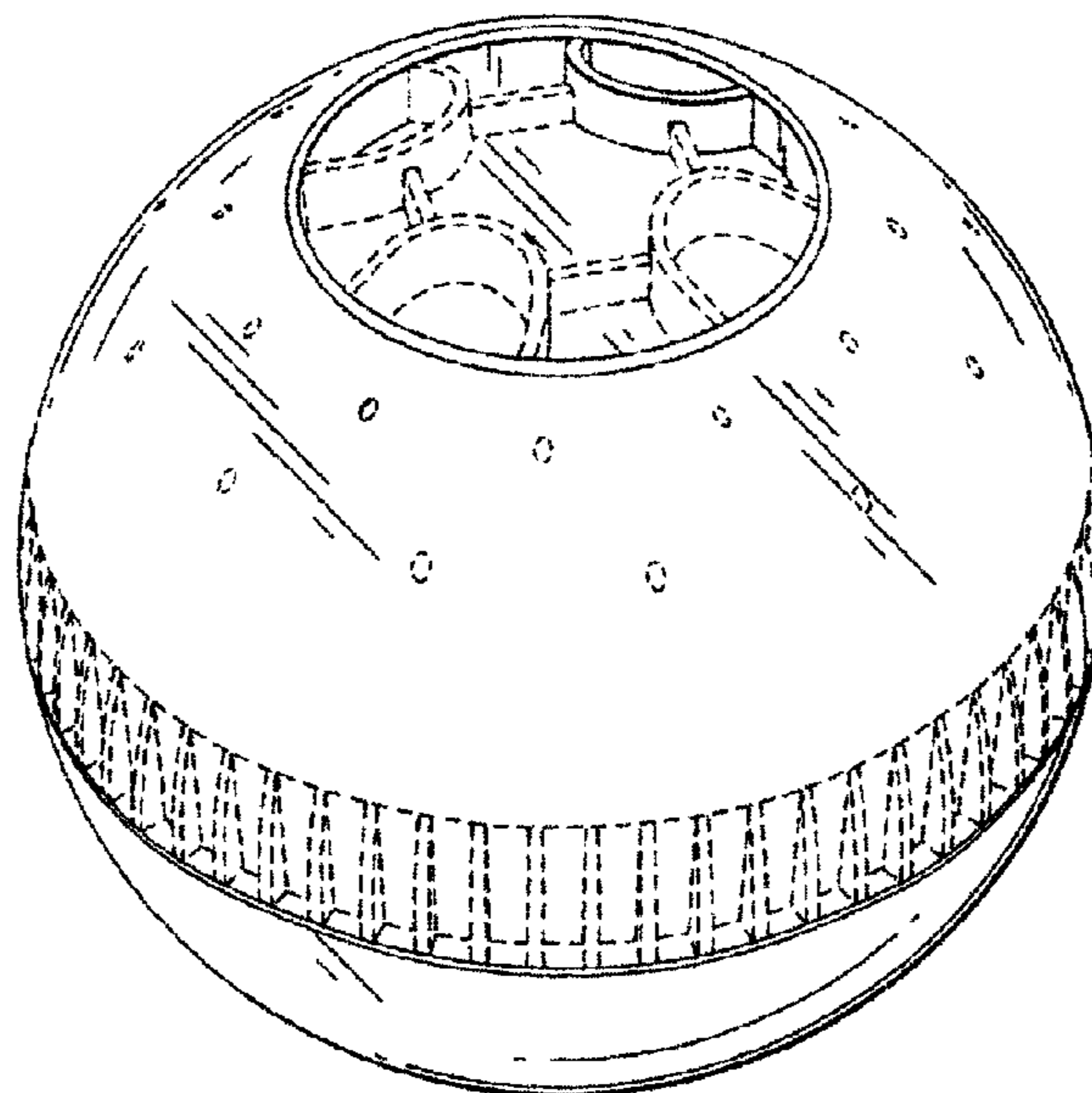
The ornamental design for a pet exercise ball, as shown and described.

DESCRIPTION

FIG. 1 is a right, front and top perspective view of a pet exercise ball according to the present invention;
 FIG. 2 is a top view thereof;
 FIG. 3 is a front view thereof;
 FIG. 4 is a bottom view thereof;
 FIG. 5 is a rear view thereof;
 FIG. 6 is a right side view thereof; and,
 FIG. 7 is a left side view thereof.

The portions of the drawings shown in broken lines represent environmental structure and form no part of the claimed design.

1 Claim, 4 Drawing Sheets



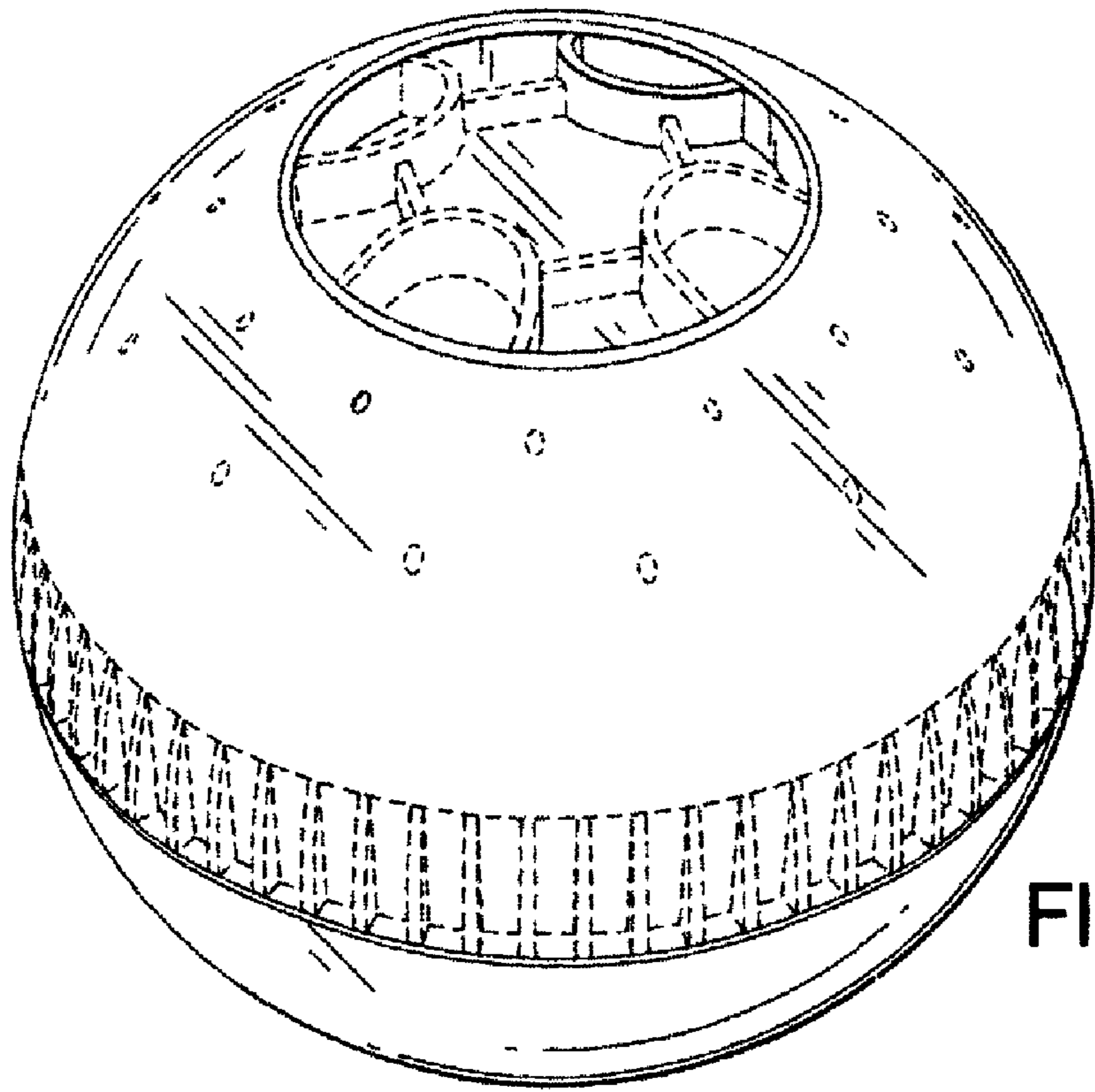


FIG. 1.

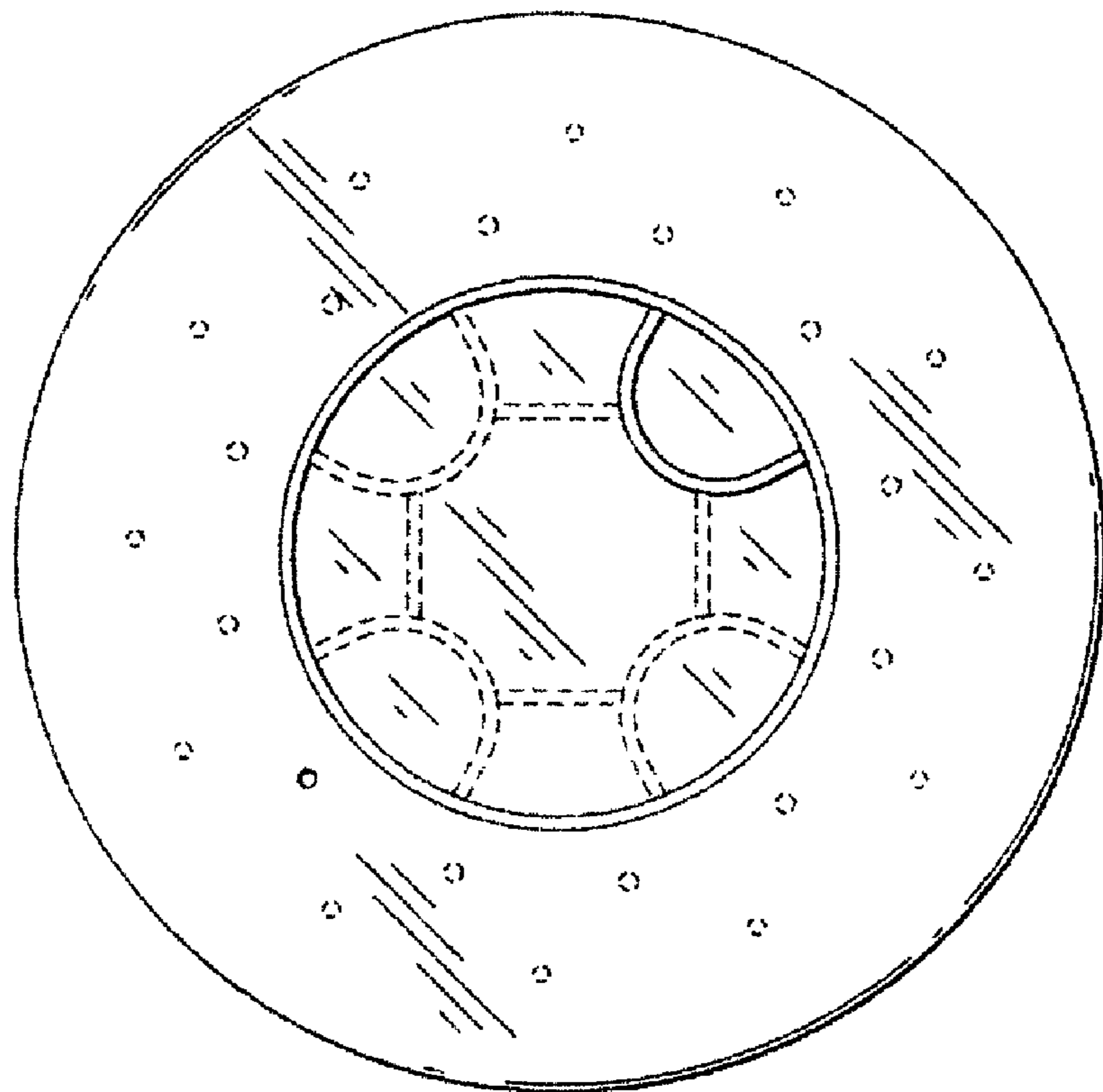


FIG. 2.

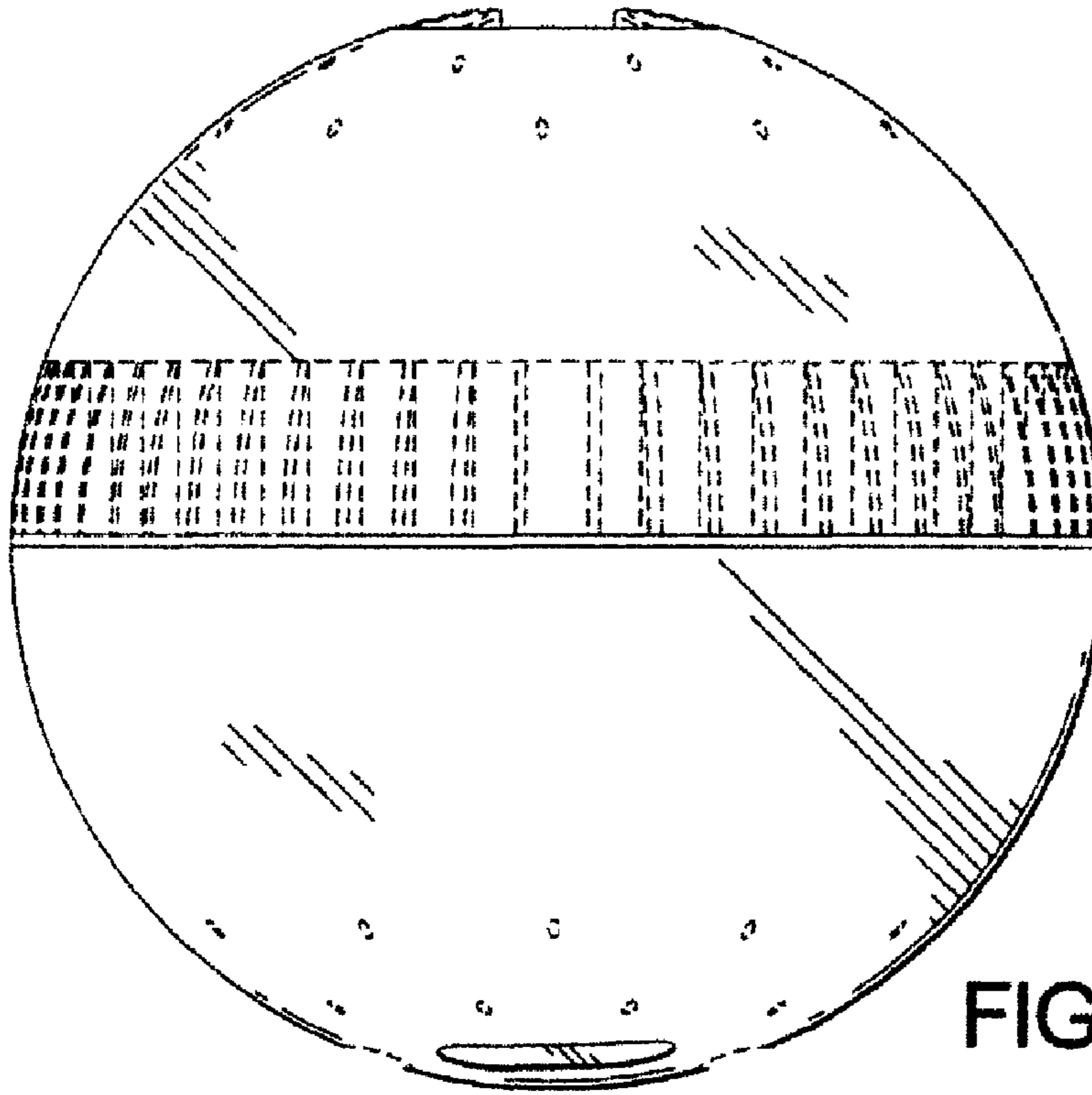


FIG. 3.

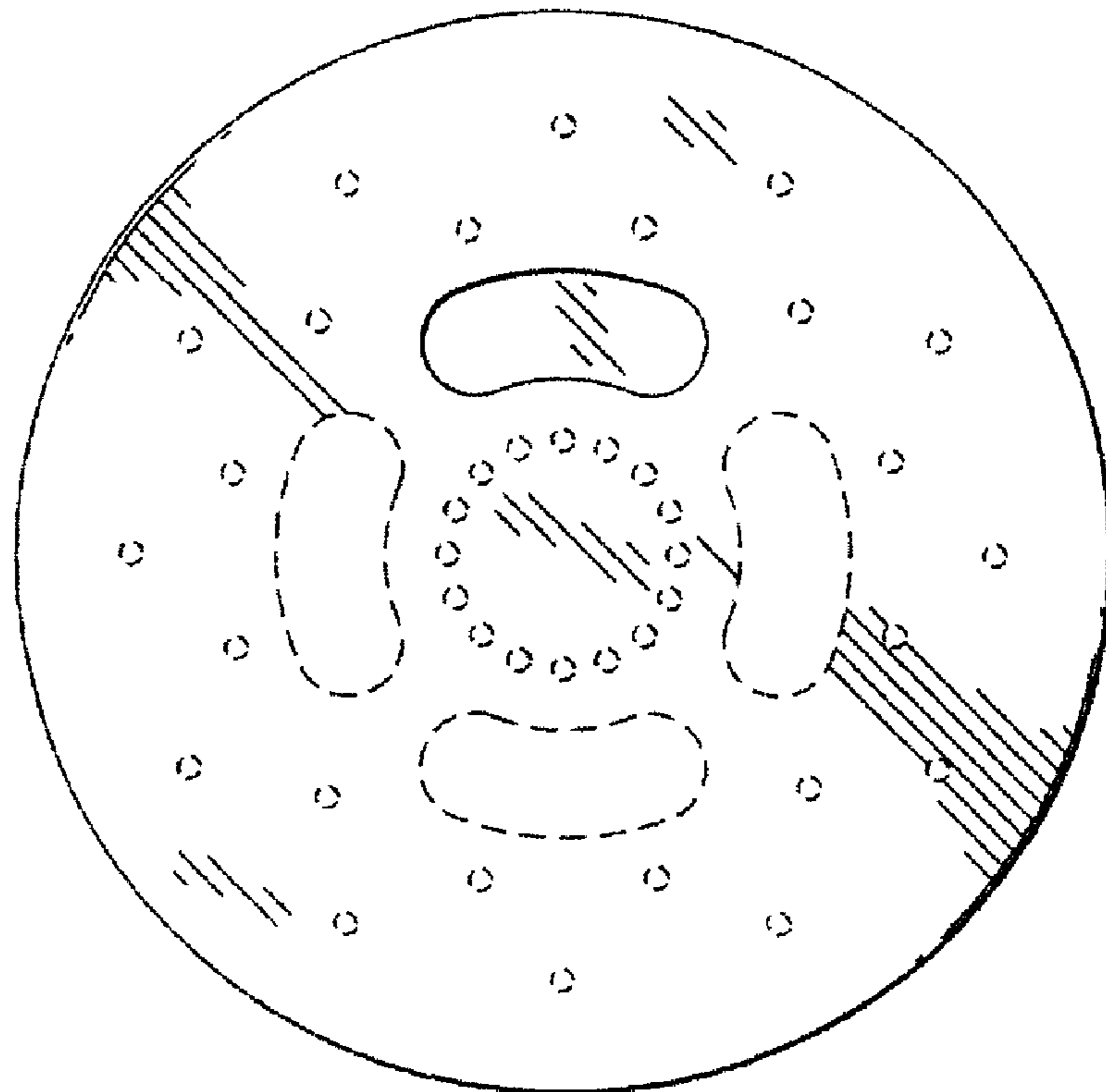


FIG. 4.

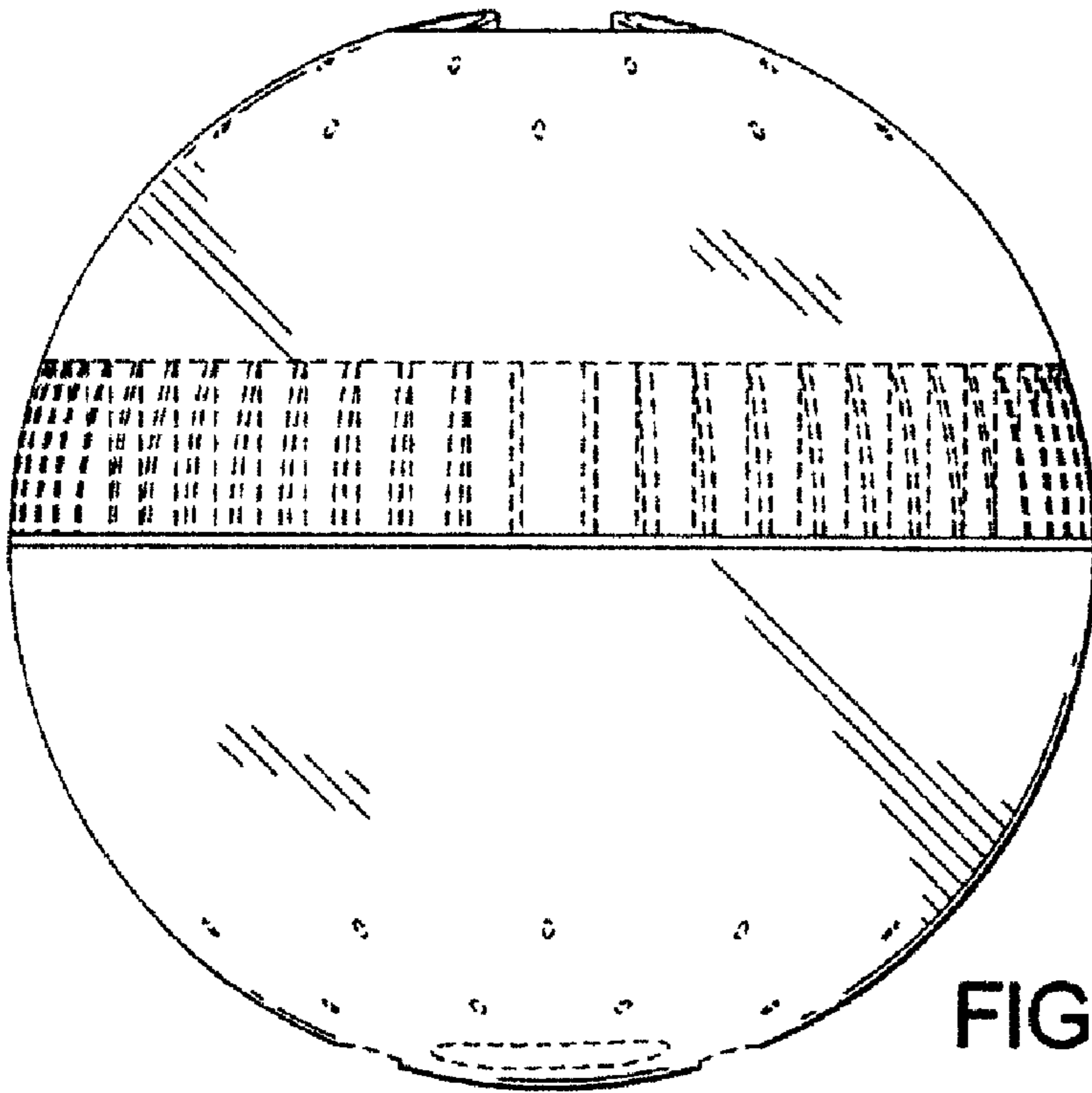


FIG. 5.

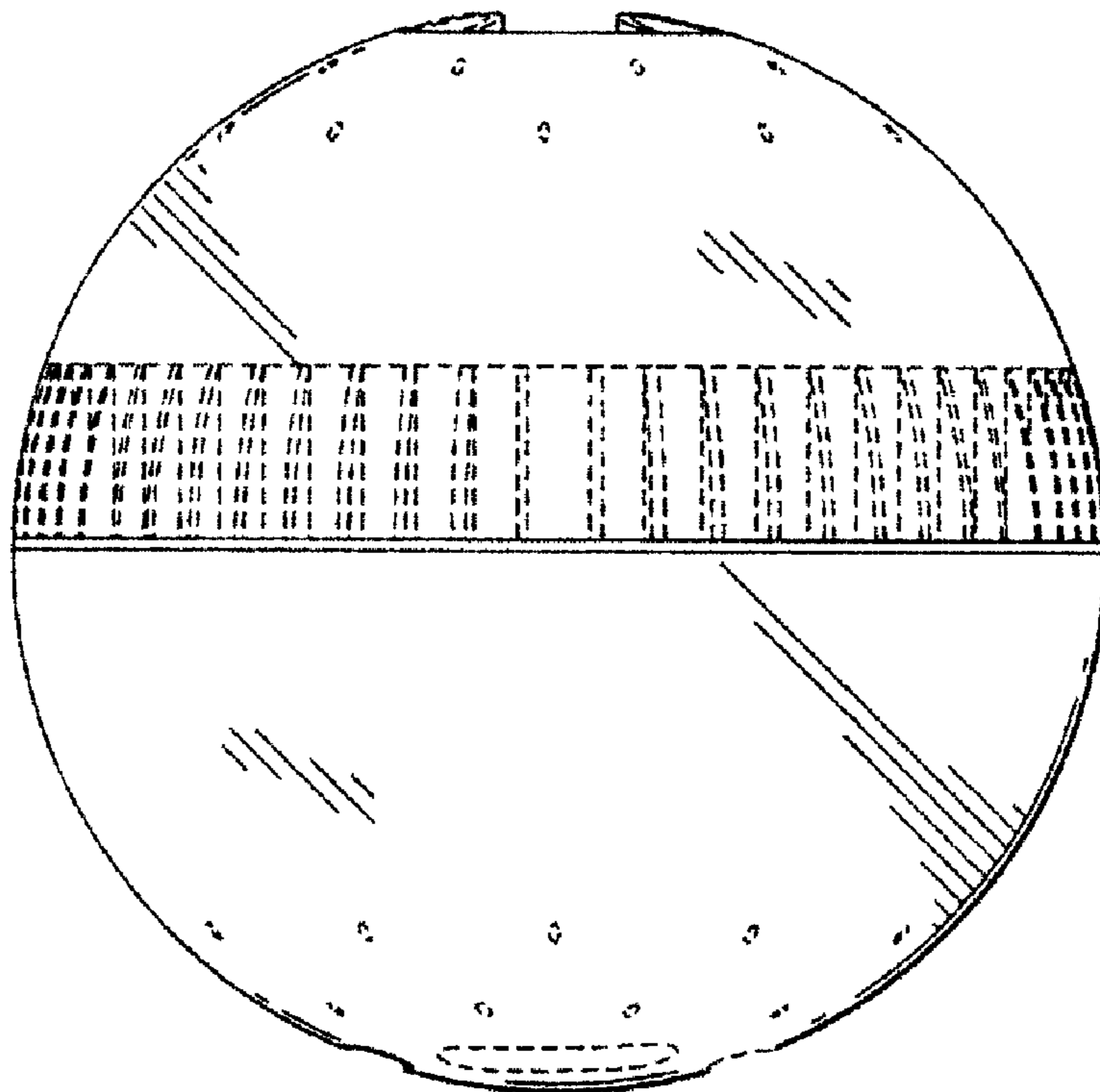


FIG. 6.

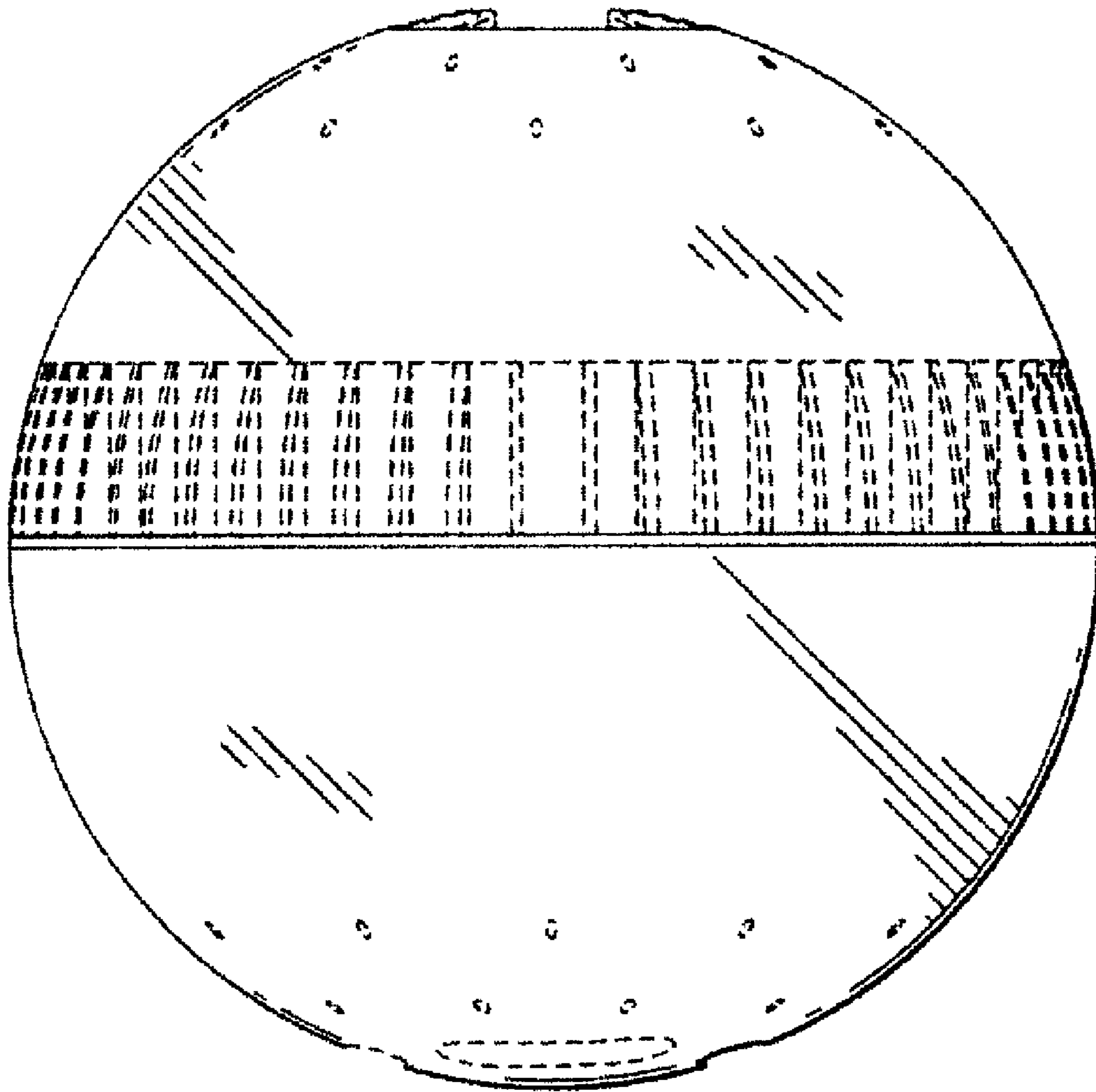


FIG. 7.