



US00D670036S

(12) **United States Design Patent**  
**Folkesson et al.**

(10) **Patent No.:** **US D670,036 S**  
(45) **Date of Patent:** **\*\* Oct. 30, 2012**

(54) **HEADGEAR**

(75) Inventors: **Jan L. Folkesson**, Värnamo (SE); **Johan M. Sallander**, Jönköping (SE)

(73) Assignee: **3M Innovative Properties Company**, St. Paul, MN (US)

(\*\*) Term: **14 Years**

(21) Appl. No.: **29/360,747**

(22) Filed: **Apr. 30, 2010**

(30) **Foreign Application Priority Data**

Nov. 3, 2009 (EM) ..... 1175533

(51) **LOC (9) Cl.** ..... **29-02**

(52) **U.S. Cl.** ..... **D29/108**

(58) **Field of Classification Search** ..... D29/100,  
D29/102, 103, 104, 105, 106, 107, 108, 109,  
D29/110, 111, 112, 122; D24/110.1-110.4,  
D24/191; 267/142-146; 2/410, 411-414,  
2/416, 422, 423, 424, 425, 15, 10, 9, 206,  
2/427, 429, 5, 6, 3, 6.1, 6.5, 6.7, 7, 8.1-8.8,  
2/431, 432; 128/857, 858, 201.24

See application file for complete search history.

(56) **References Cited**

**U.S. PATENT DOCUMENTS**

- 3,369,255 A \* 2/1968 Bolle ..... 2/9
- 3,380,073 A \* 4/1968 McLaughlin ..... 2/8.1
- D284,710 S \* 7/1986 Hatchman ..... D29/109
- D299,766 S 2/1989 Friedson
- 4,852,185 A \* 8/1989 Olson ..... 2/9
- 4,853,974 A \* 8/1989 Olim ..... 2/9
- 4,884,296 A \* 12/1989 Nix, Jr. .... 2/11
- D306,363 S \* 2/1990 Stackhouse et al. .... D29/110
- 4,945,574 A \* 8/1990 Dagher ..... 2/9
- D320,478 S \* 10/1991 Metcalfe ..... D29/110
- D329,444 S \* 9/1992 Rauch ..... D29/109

- D333,366 S 2/1993 Brown
- D347,909 S 6/1994 Gazzara et al.
- D349,362 S \* 8/1994 Russell ..... D29/110
- D354,588 S \* 1/1995 Russell ..... D29/110
- D354,589 S \* 1/1995 Russell ..... D29/110
- D361,127 S 8/1995 Lonnstedt
- D361,160 S \* 8/1995 Russell ..... D29/110
- D362,086 S \* 9/1995 Russell ..... D29/110
- D375,583 S \* 11/1996 Landis et al. .... D29/108
- D404,848 S \* 1/1999 Banuchi ..... D29/110
- D454,988 S 3/2002 Simpson

(Continued)

**FOREIGN PATENT DOCUMENTS**

EM 001175525-001 11/2009

(Continued)

**OTHER PUBLICATIONS**

US 5,238,703, 08/1993, Nordin et al. (withdrawn)

*Primary Examiner* — Elizabeth J Oswecki

(74) *Attorney, Agent, or Firm* — Eric D. Levinson

(57)

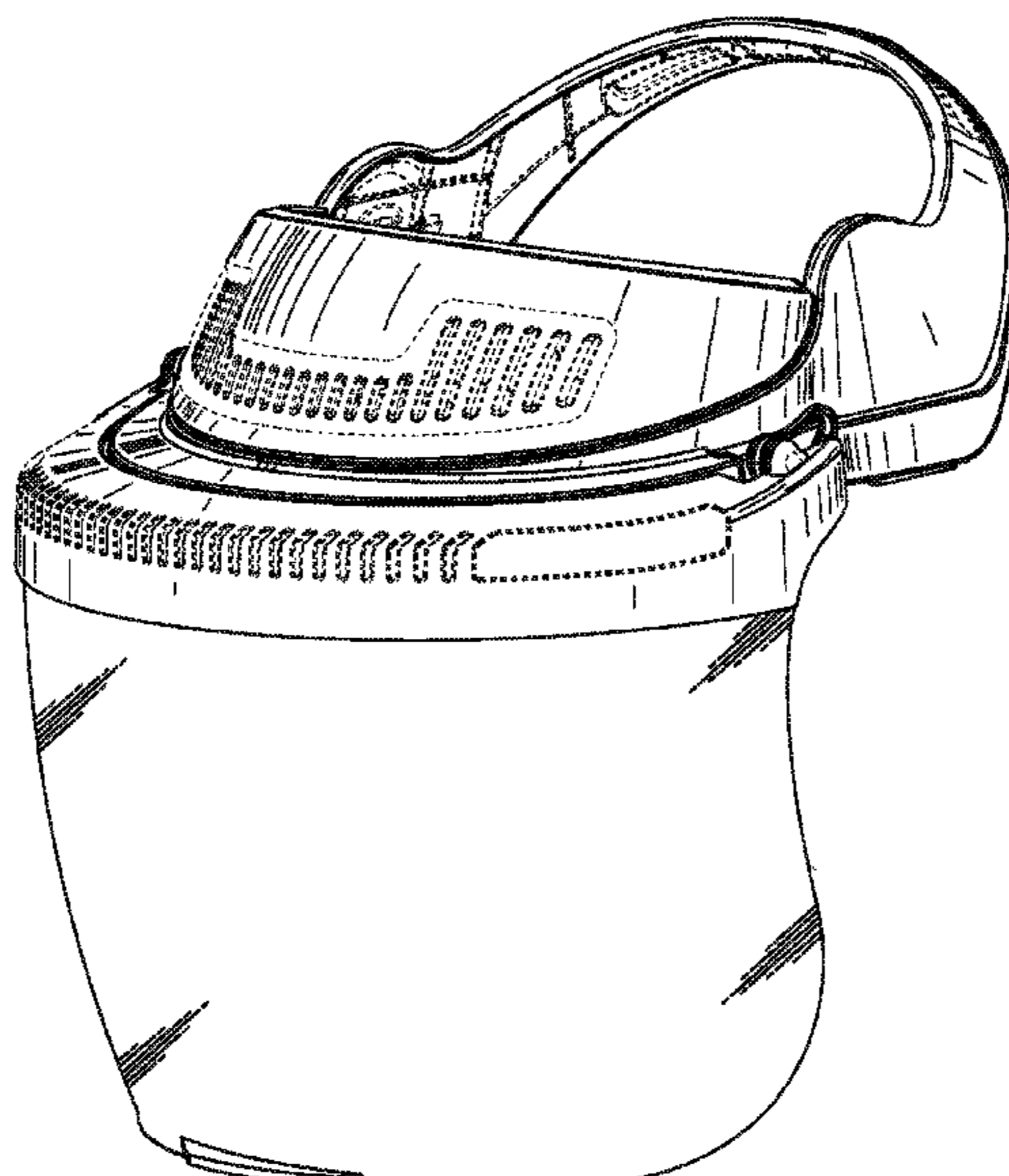
**CLAIM**

The ornamental design for a headgear, as shown and described.

**DESCRIPTION**

FIG. 1 is a front perspective front view of a headgear showing our new design;  
 FIG. 2 is a right side view thereof, the left side view being a mirror image thereof;  
 FIG. 3 is a front view thereof;  
 FIG. 4 is a rear view thereof;  
 FIG. 5 is a top view thereof; and,  
 FIG. 6 is a bottom view thereof.  
 In the drawings, the broken lines in FIGS. 1-6 depict portions of the design that form no part of the claim.

**1 Claim, 6 Drawing Sheets**



# US D670,036 S

Page 2

---

## U.S. PATENT DOCUMENTS

D455,524 S 4/2002 Simpson  
6,375,865 B1 \* 4/2002 Paulson et al. .... 252/500  
D458,713 S \* 6/2002 Cheng ..... D29/110  
D481,832 S 11/2003 Huh  
D482,502 S 11/2003 Huh  
D503,499 S 3/2005 Howard  
D518,605 S 4/2006 Chen  
D522,697 S 6/2006 Chen  
D539,485 S \* 3/2007 Huh ..... D29/110  
D539,987 S \* 4/2007 Love ..... D29/110

D541,991 S \* 5/2007 Lawrence ..... D29/122  
D557,461 S 12/2007 Probst  
D607,608 S 1/2010 Taylor  
D624,287 S 9/2010 Shamchander  
D640,422 S 6/2011 Green et al.  
2008/0184465 A1 8/2008 Chang

## FOREIGN PATENT DOCUMENTS

EM 001175616-003 11/2009  
GB 1034193 5/1986

\* cited by examiner

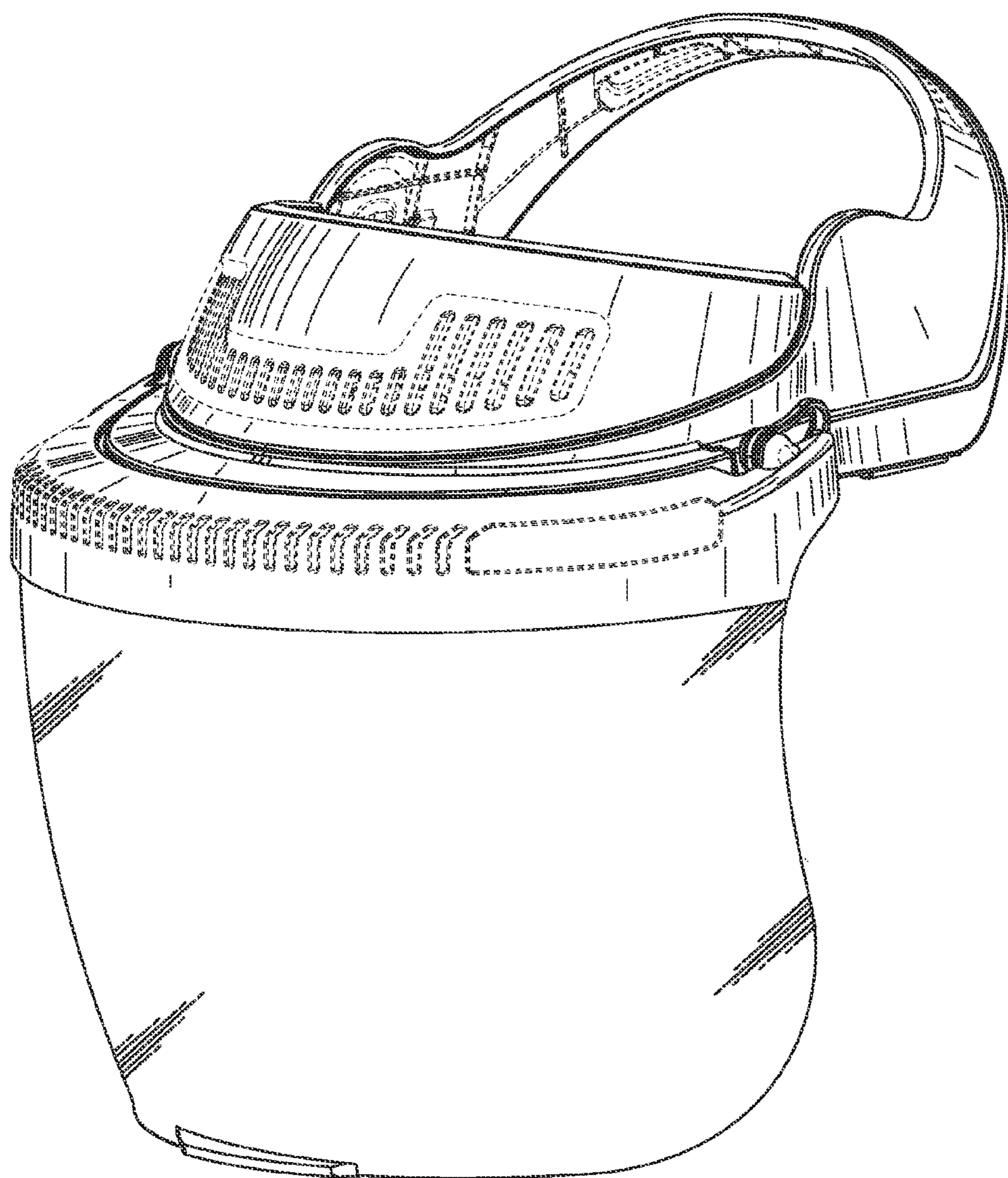


FIG. 1

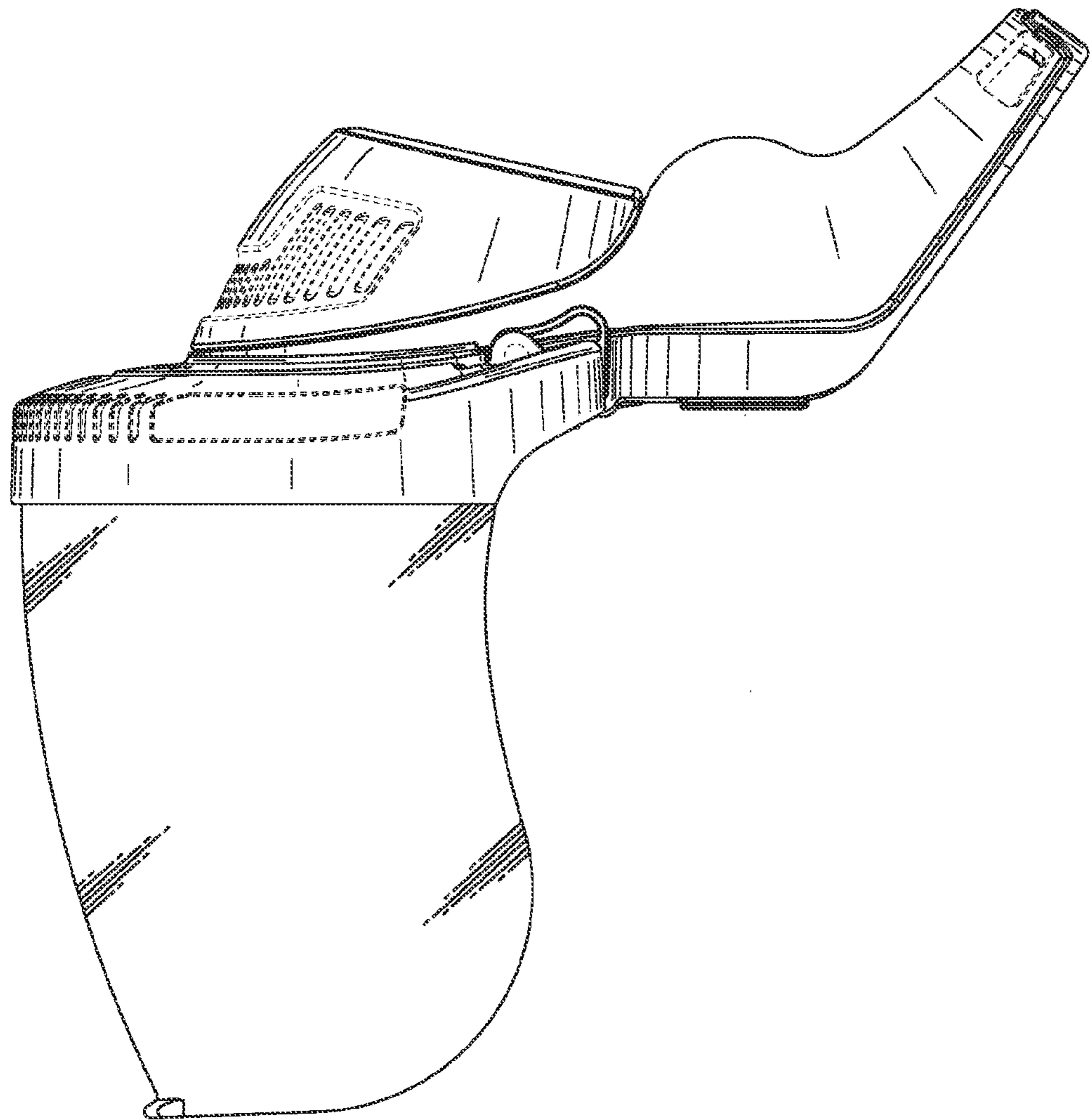
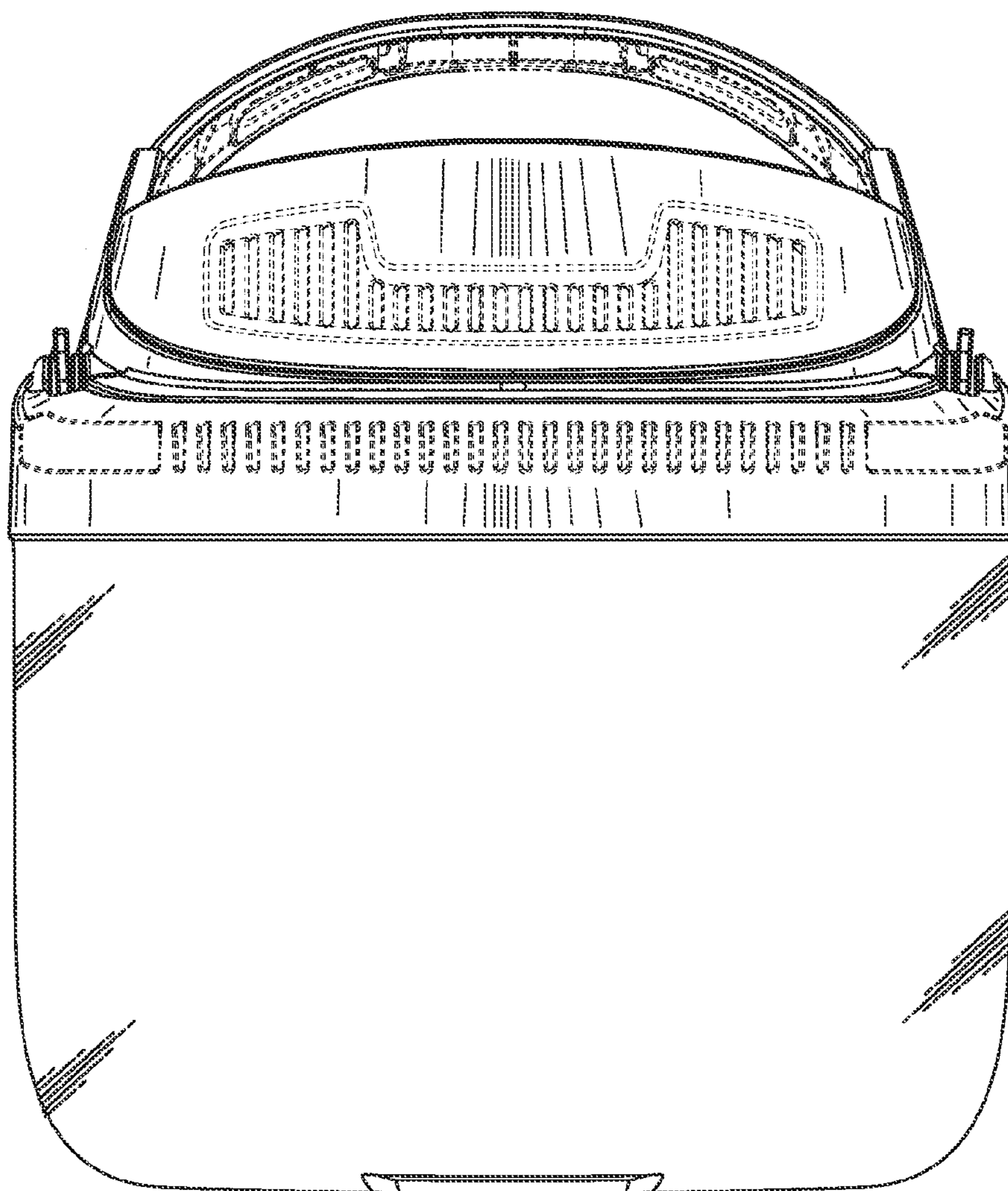
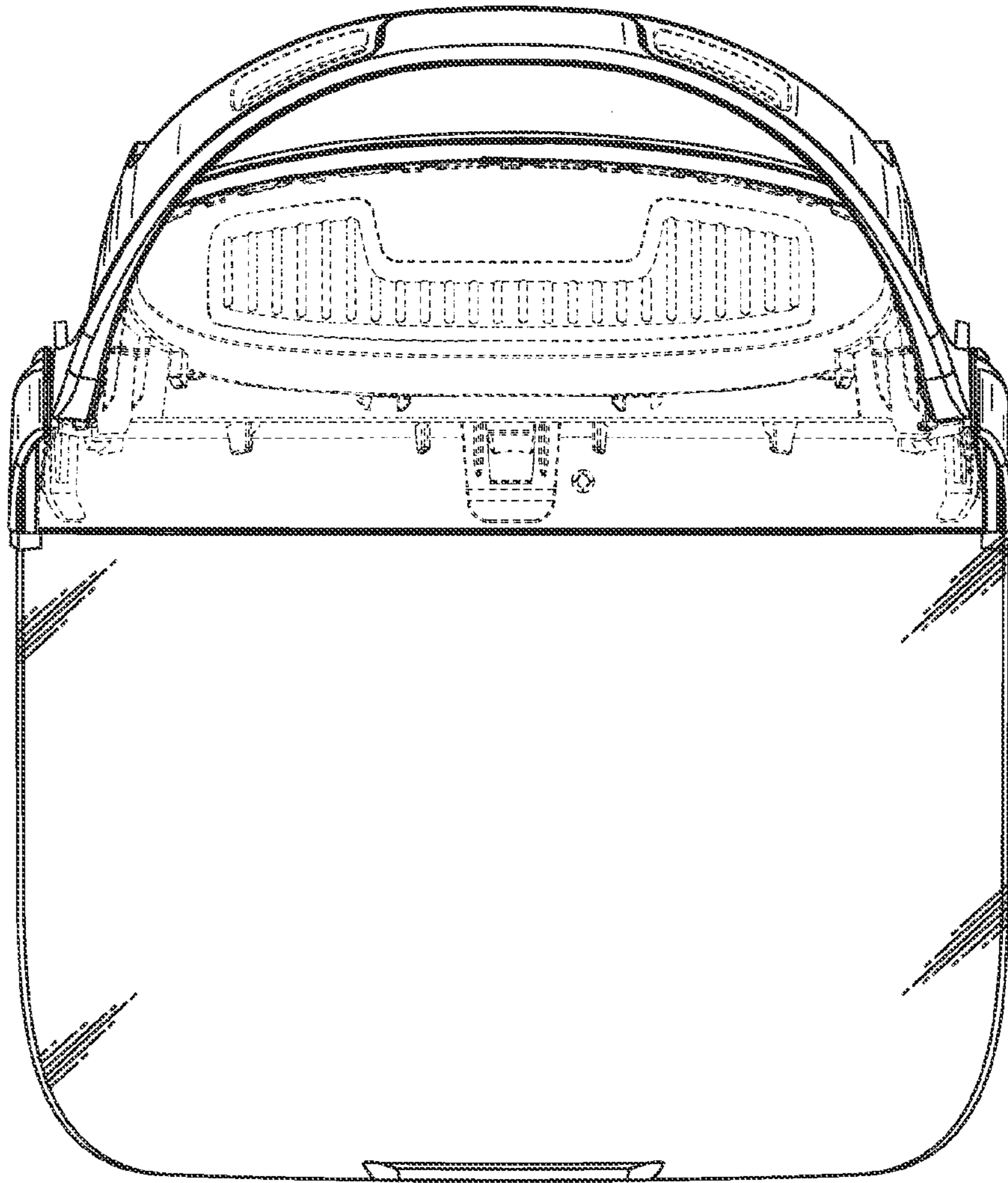


FIG. 2



*FIG. 3*



*FIG. 4*

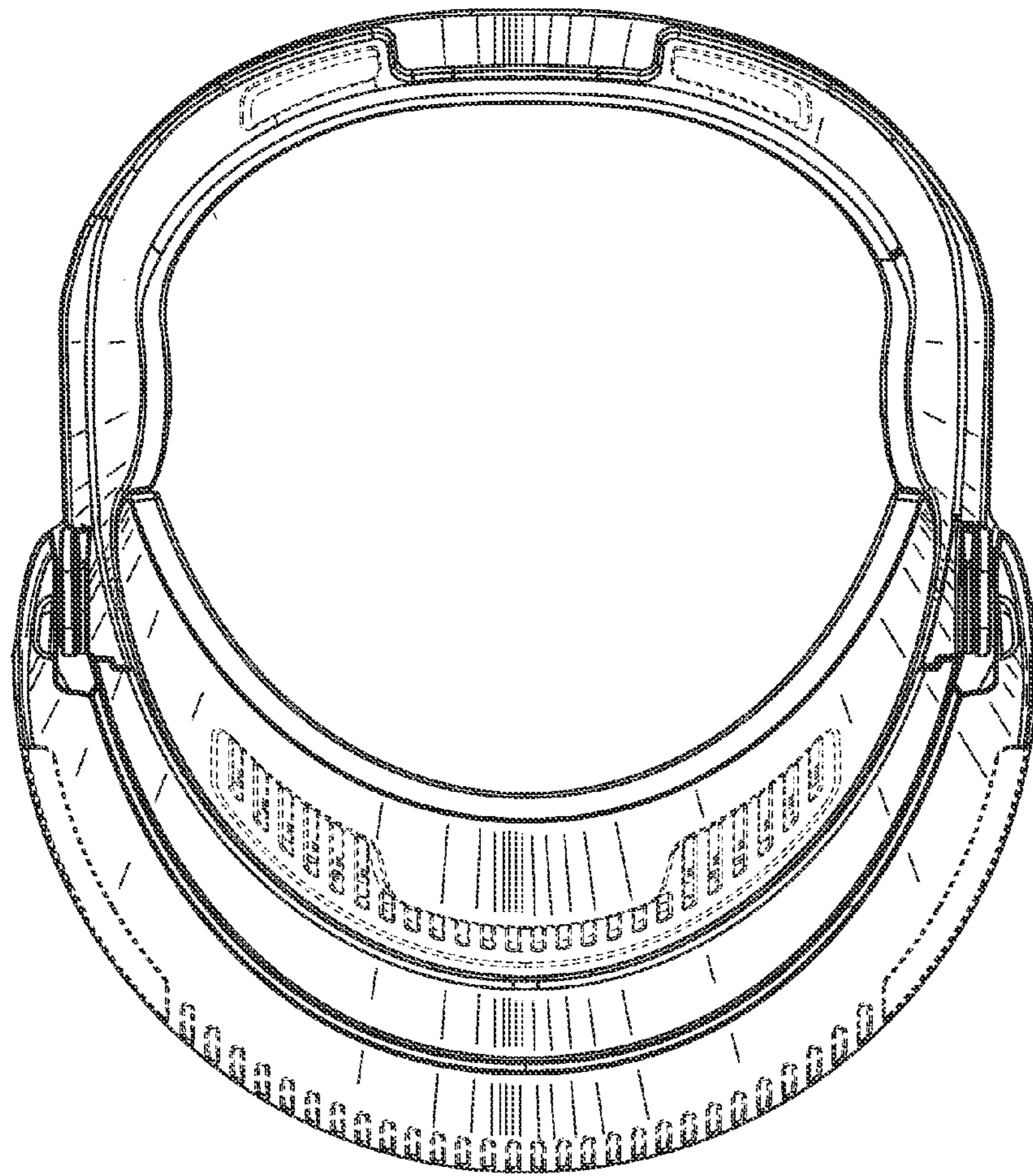
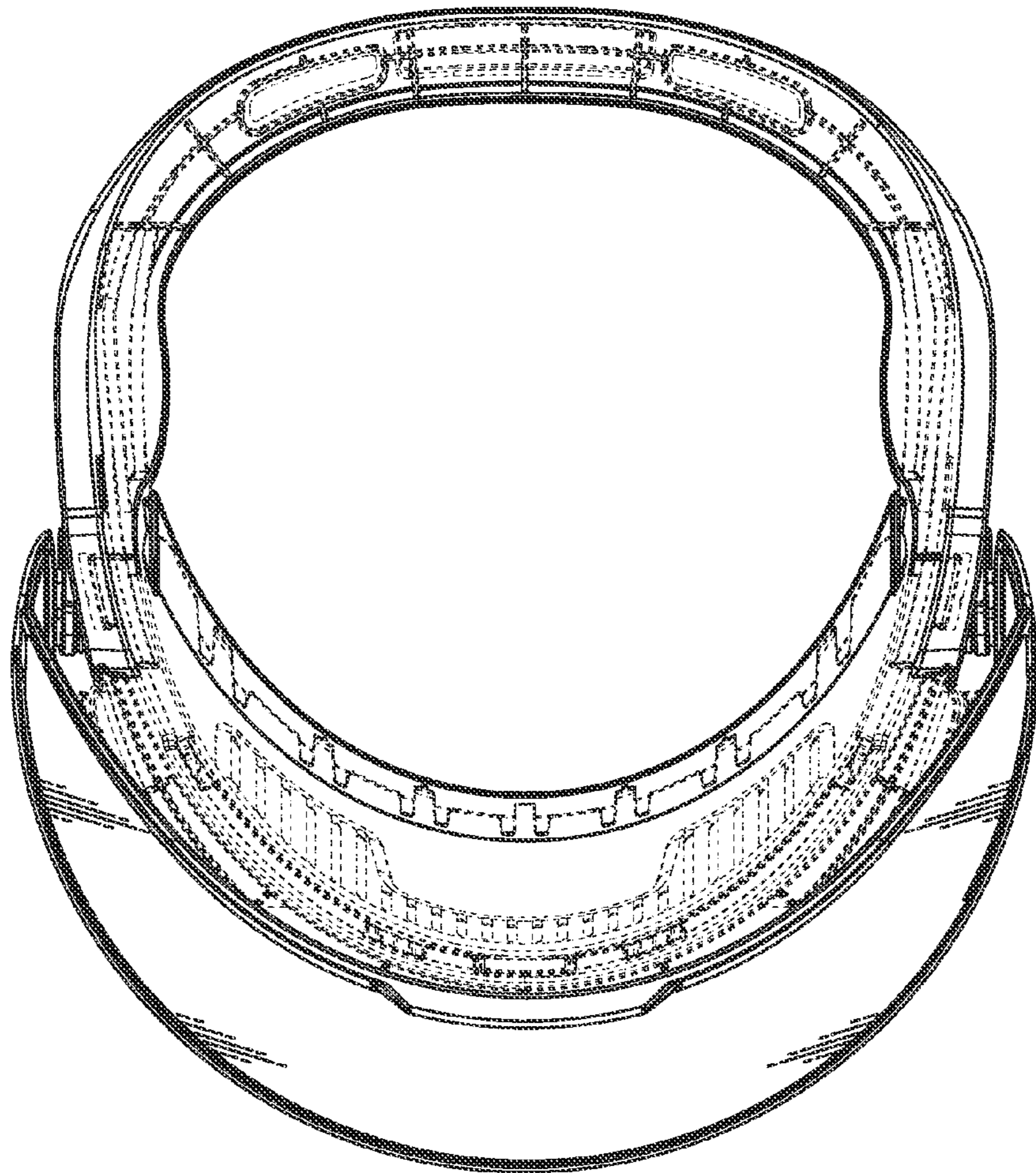


FIG. 5



*FIG. 6*