



US00D670032S

(12) **United States Design Patent**
Hamazaki

(10) **Patent No.:** **US D670,032 S**
(45) **Date of Patent:** **** Oct. 30, 2012**

(54) **FALSE EYELASH**

(75) Inventor: **Masaaki Hamazaki**, Tokyo (JP)

(73) Assignee: **Hamazaki Co., Ltd.**, Tokyo (JP)

(**) Term: **14 Years**

(21) Appl. No.: **29/418,222**

(22) Filed: **Apr. 13, 2012**

(30) **Foreign Application Priority Data**

Oct. 31, 2011 (JP) 2011-025058

(51) **LOC (9) Cl.** **28-04**

(52) **U.S. Cl.** **D28/92**

(58) **Field of Classification Search** D28/39-43,
D28/92, 93; 132/53-56, 201

See application file for complete search history.

(56) **References Cited**

U.S. PATENT DOCUMENTS

3,516,422 A * 6/1970 Bechtold et al. 132/53
3,833,007 A * 9/1974 Jacobs 132/53
4,299,242 A * 11/1981 Choe 132/53
D632,018 S * 2/2011 Nguyen D28/92

D632,019 S * 2/2011 Nguyen D28/92
8,113,218 B2 * 2/2012 Nguyen 132/201
2010/0170526 A1 * 7/2010 Nguyen 132/201

* cited by examiner

Primary Examiner — Zenia Bennett

(74) *Attorney, Agent, or Firm* — Arent Fox LLP

(57) **CLAIM**

The ornamental design for a false eyelash, as shown and described.

DESCRIPTION

FIG. 1 is a perspective view of a false eyelash showing my new design;

FIG. 2 is a top view of the design shown in FIG. 1;

FIG. 3 is a bottom view of the design shown in FIG. 1;

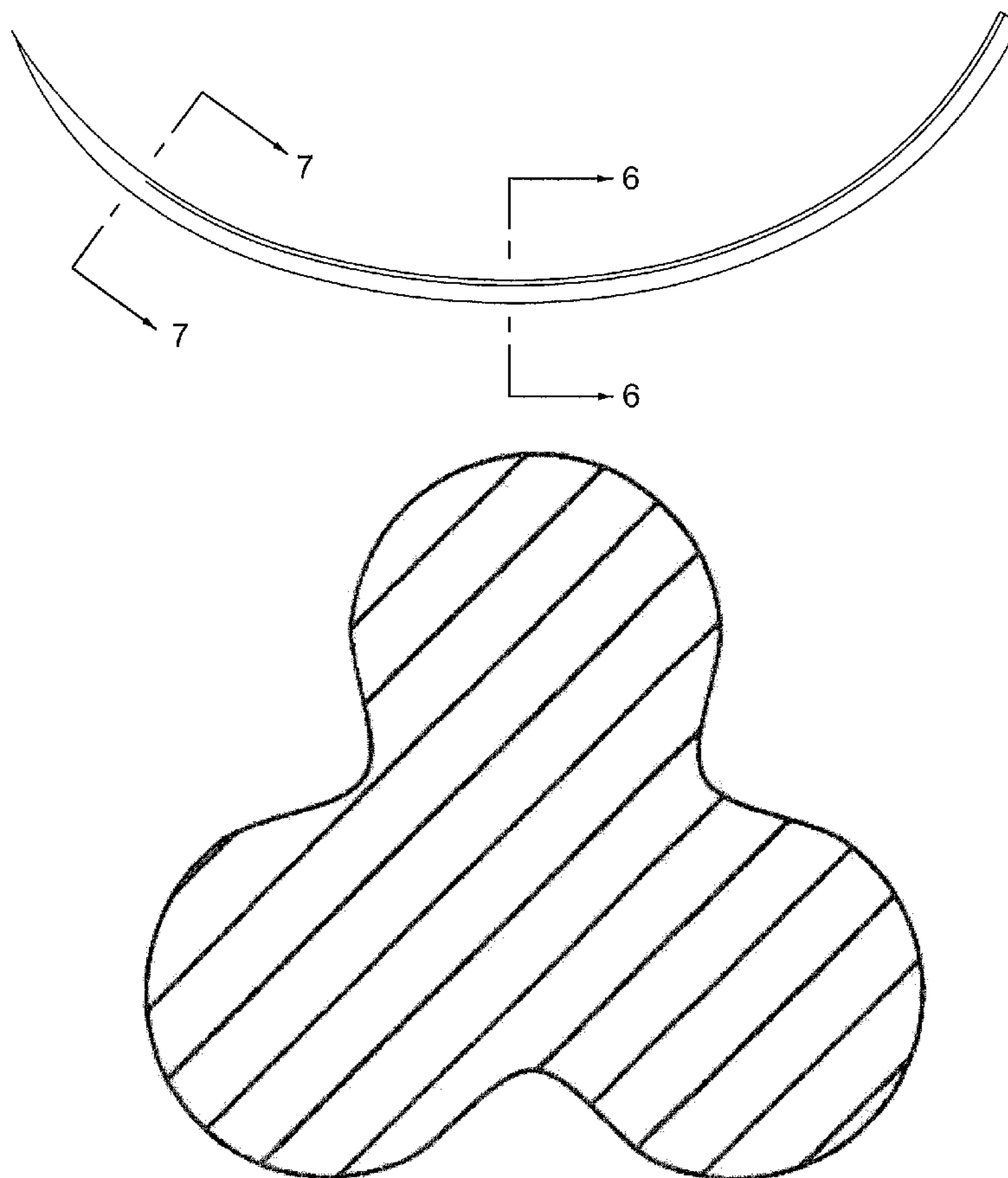
FIG. 4 is a left side view of the design shown in FIG. 1;

FIG. 5 is a right side view of the design shown in FIG. 1;

FIG. 6 is a cross-sectional view of the design shown in FIG. 1, according to line A-A indicating the contour of the exterior surface of the claimed design; and,

FIG. 7 is a cross-sectional view of the design shown in FIG. 1, according to line B-B indicating the contour of the exterior surface of the claimed design.

1 Claim, 5 Drawing Sheets



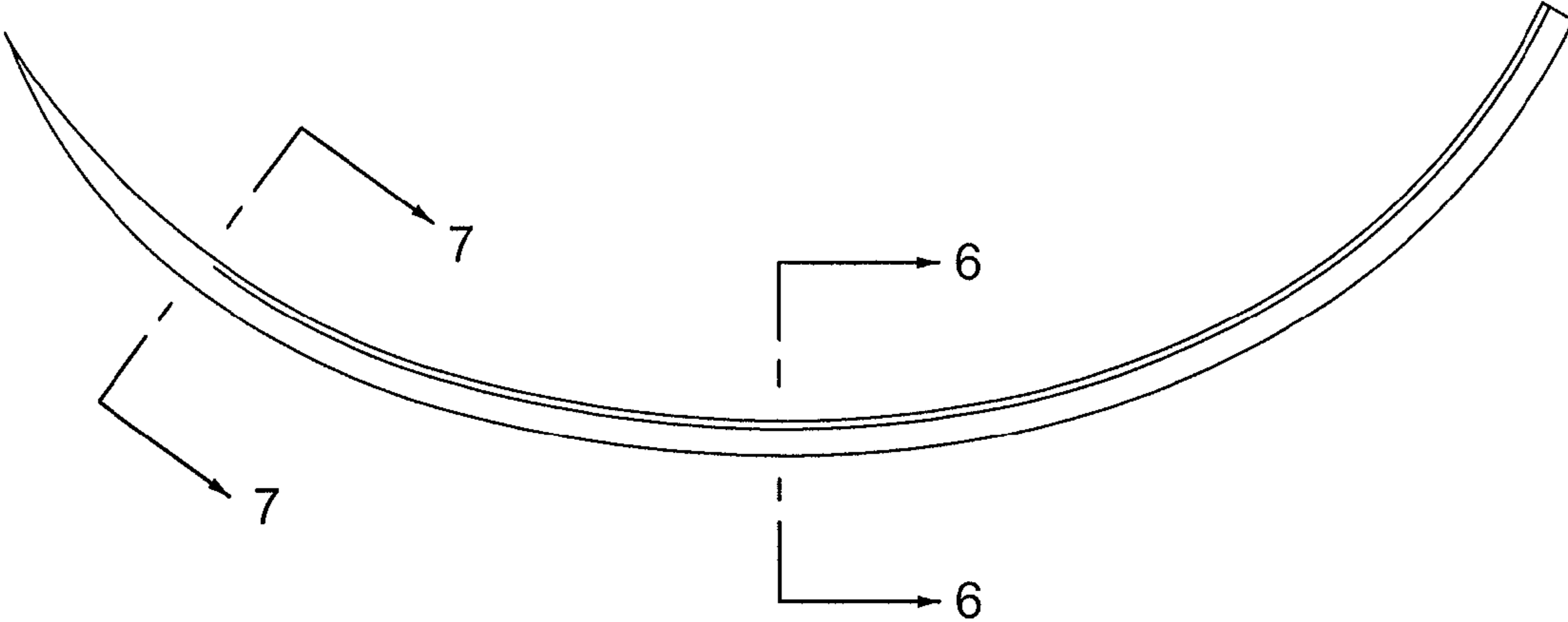


FIGURE 1

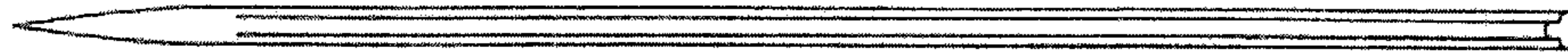


FIGURE 2



FIGURE 3



FIGURE 4



FIGURE 5

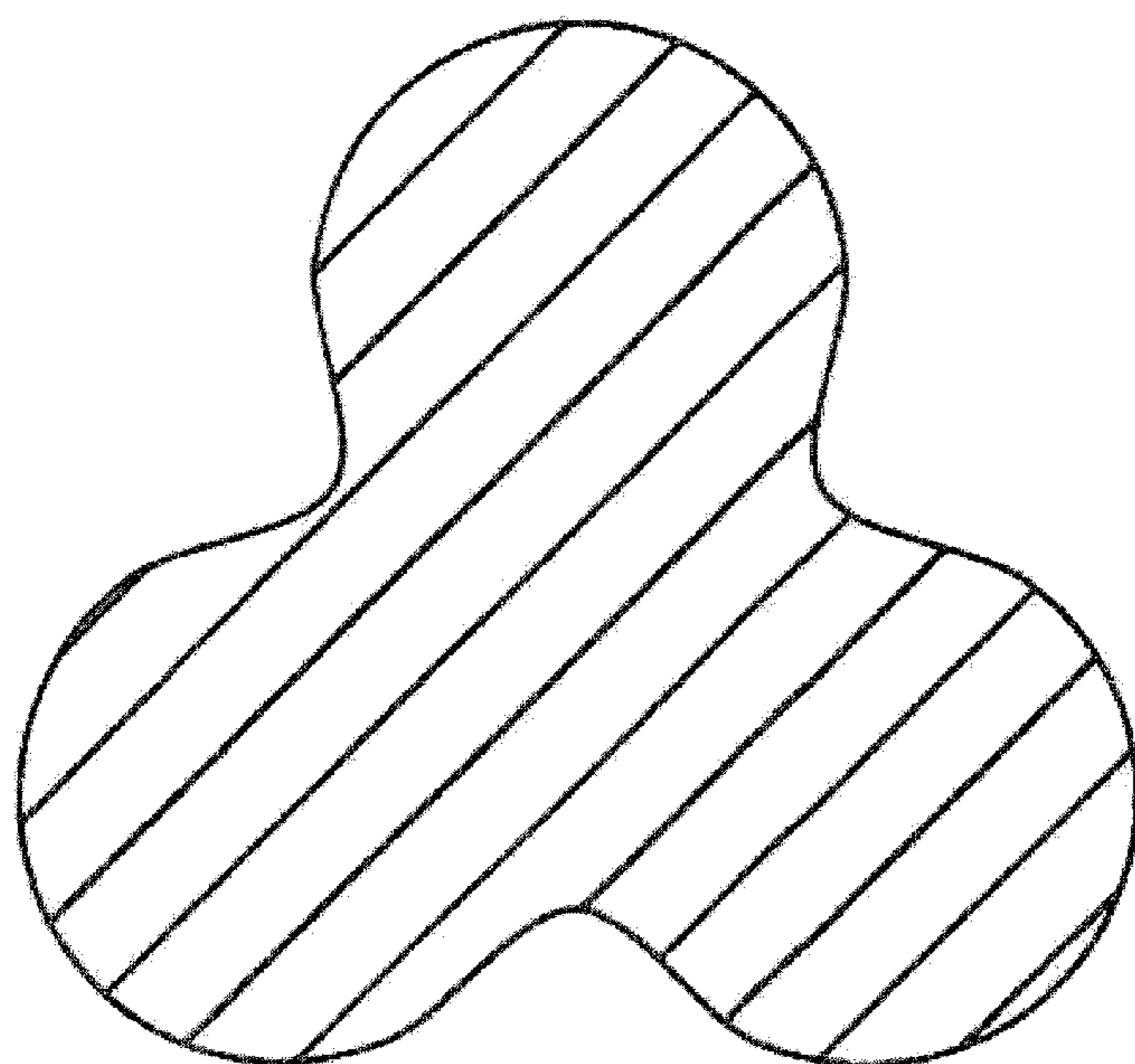


FIGURE 6

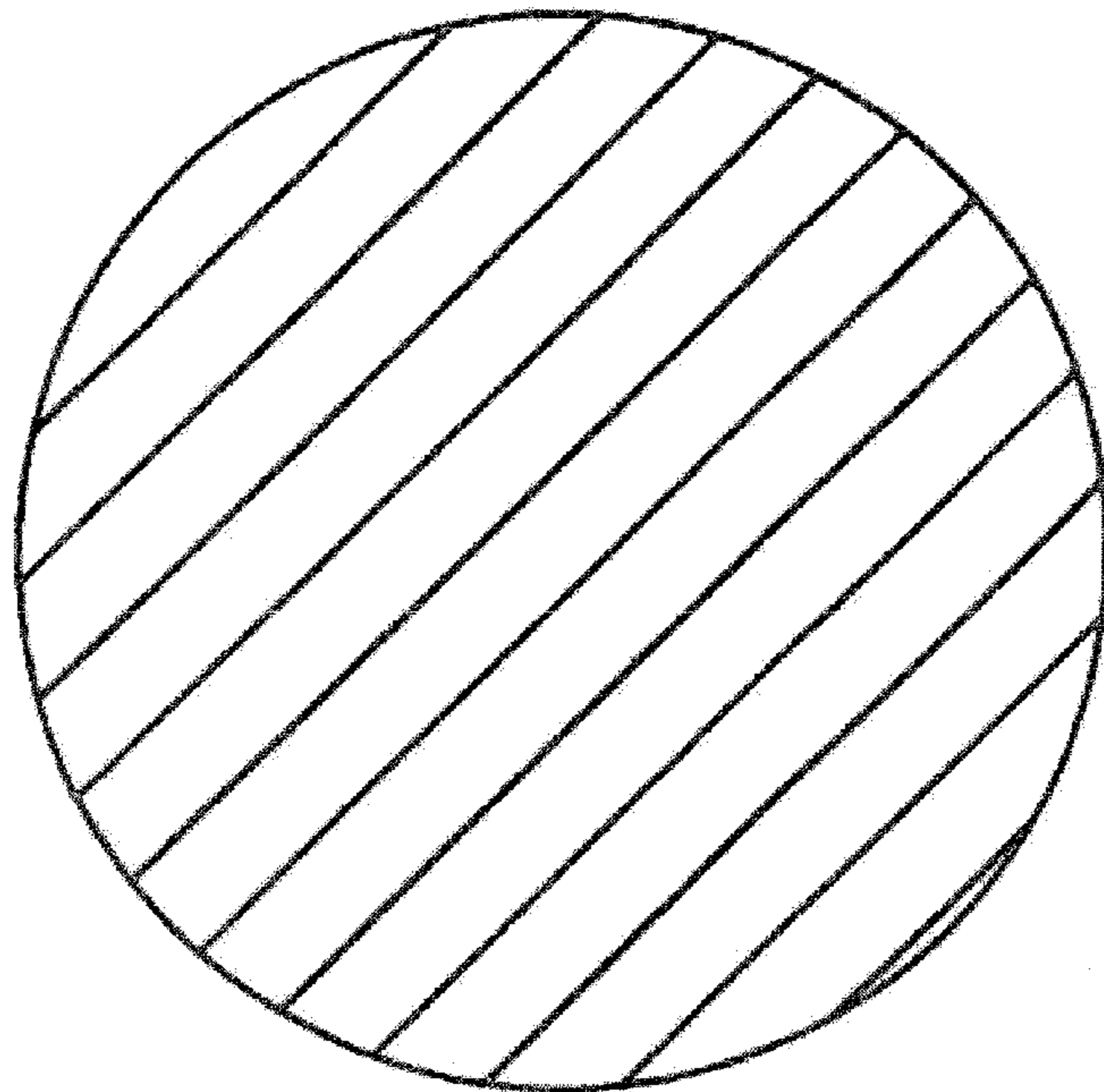


FIGURE 7

UNITED STATES PATENT AND TRADEMARK OFFICE
CERTIFICATE OF CORRECTION

PATENT NO. : D670,032 S
APPLICATION NO. : 29/418222
DATED : October 30, 2012
INVENTOR(S) : Masaaki Hamazaki

Page 1 of 1

It is certified that error appears in the above-identified patent and that said Letters Patent is hereby corrected as shown below:

Title Page in the Description of the Drawings -

Please delete the description of FIG. 6 and FIG. 7 in their entirety and substitute therefor

-- FIG. 6 is a cross-sectional view of the design shown in FIG. 1, according to line 6-6 indicating the contour of the exterior surface of the claimed design; and

FIG. 7 is a cross-sectional view of the design shown in FIG. 1, according to line 7-7 indicating the contour of the exterior surface of the claimed design. --

Signed and Sealed this
Eighteenth Day of December, 2012

A handwritten signature in black ink that reads "David J. Kappos". The signature is written in a cursive, slightly slanted style.

David J. Kappos
Director of the United States Patent and Trademark Office