



US00D670026S

(12) **United States Design Patent**
Hong

(10) **Patent No.:** **US D670,026 S**
(45) **Date of Patent:** **** Oct. 30, 2012**

(54) **HAIR DRYER SET WITH ATTACHABLE NOZZLES**

(75) Inventor: **Olivier Hong**, La Celle Saint Cloud (FR)

(73) Assignee: **Velecta Paramount**, Romorantin Cedex (FR)

(**) Term: **14 Years**

(21) Appl. No.: **29/409,096**

(22) Filed: **Dec. 20, 2011**

(30) **Foreign Application Priority Data**

Jun. 28, 2011 (EM) 001884081

(51) **LOC (9) Cl.** **28-03**

(52) **U.S. Cl.** **D28/13**

(58) **Field of Classification Search** D28/12-19;
34/96-101; 392/380-385; 219/222
See application file for complete search history.

(56) **References Cited**

U.S. PATENT DOCUMENTS

D600,406 S *	9/2009	Leung	D28/13
D603,094 S *	10/2009	Piard	D28/13
D606,248 S *	12/2009	Leung	D28/13
D606,249 S *	12/2009	Leung	D28/13
D617,048 S *	6/2010	Kim	D28/13
D637,347 S *	5/2011	Schmitz	D28/13
D648,071 S *	11/2011	Speh	D28/13

* cited by examiner

Primary Examiner — Zenia Bennett

(74) *Attorney, Agent, or Firm* — Summa, Addition & Ashe, P.A.

(57) **CLAIM**

The ornamental design for a hair dryer set with attachable nozzles, as shown and described.

DESCRIPTION

FIG. 1 is a top plan view of a hair dryer set with attachable nozzles showing the new design;
 FIG. 2 is bottom plan view thereof;
 FIG. 3 is a front elevational view thereof;
 FIG. 4 is a rear elevational view thereof;
 FIG. 5 is a left side elevational view thereof depicting an attachable nozzle; the right side elevational view being a mirror image thereof;
 FIG. 6 is a left side elevational view thereof without the nozzle; the right side elevational view being a mirror image thereof;
 FIG. 7 is a front perspective view thereof depicting the attachable nozzle;
 FIG. 8 is a front perspective view thereof without the nozzle;
 FIG. 9 is a rear perspective view thereof depicting the attachable nozzle;
 FIG. 10 is a rear perspective view thereof without the nozzle;
 and,
 FIG. 11 is a top plan view thereof depicting the attachable nozzle.

1 Claim, 11 Drawing Sheets

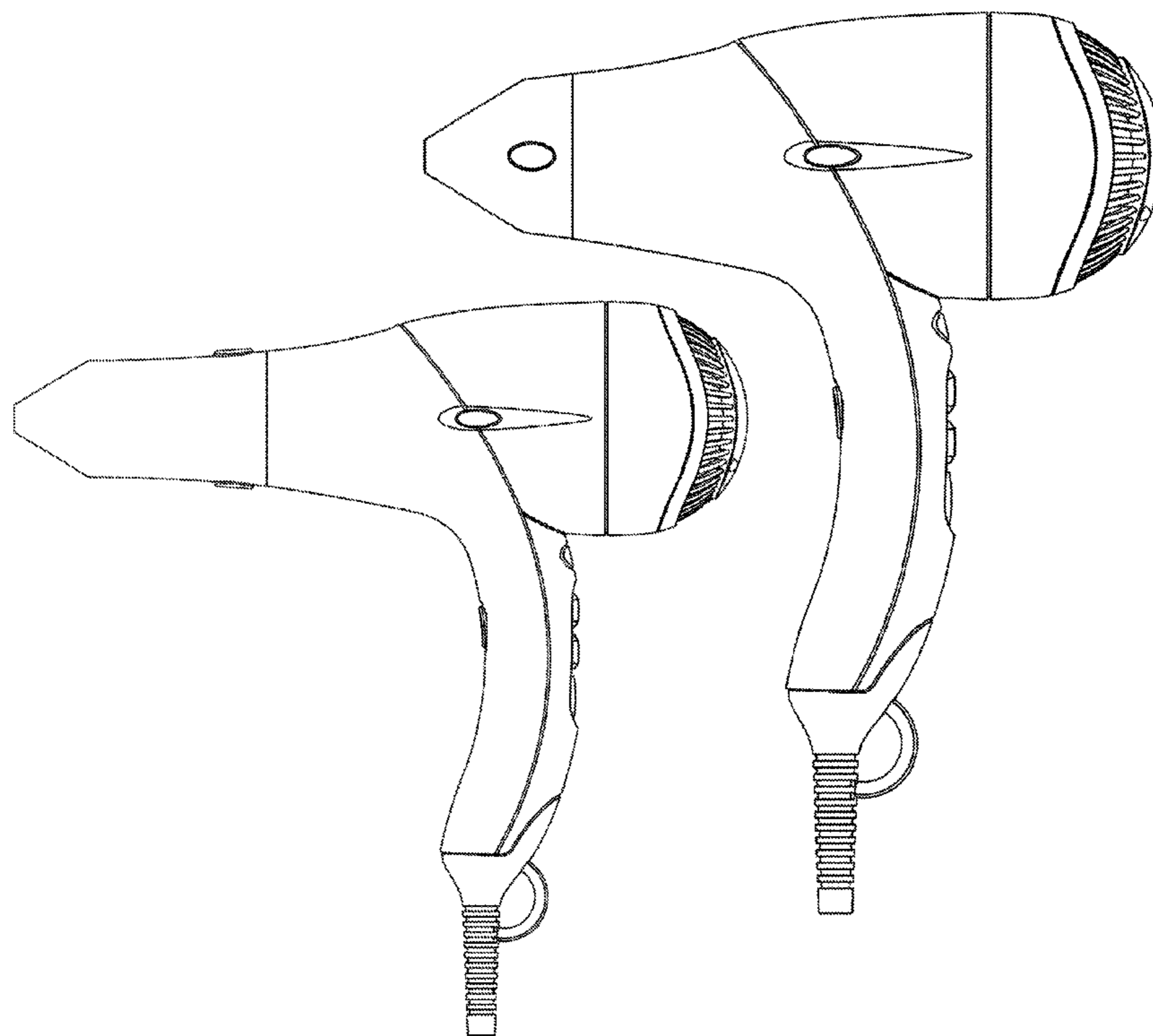


FIG. 1

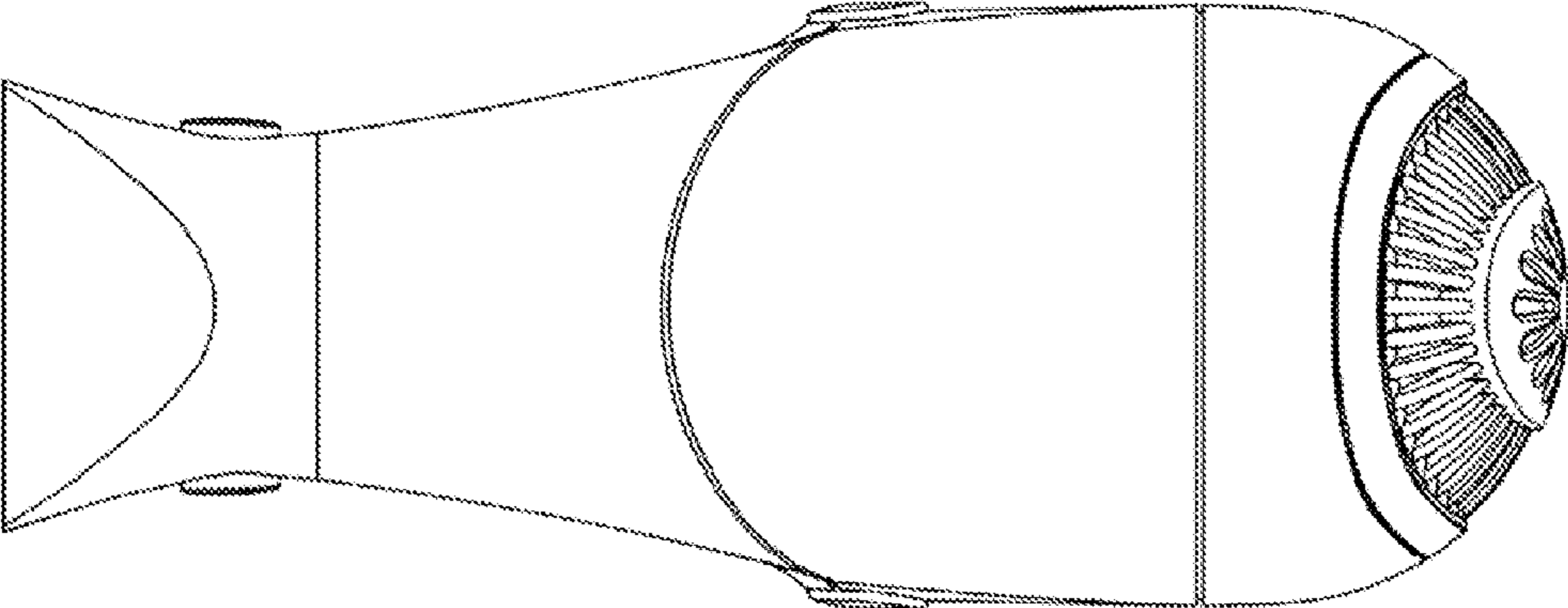


FIG.2

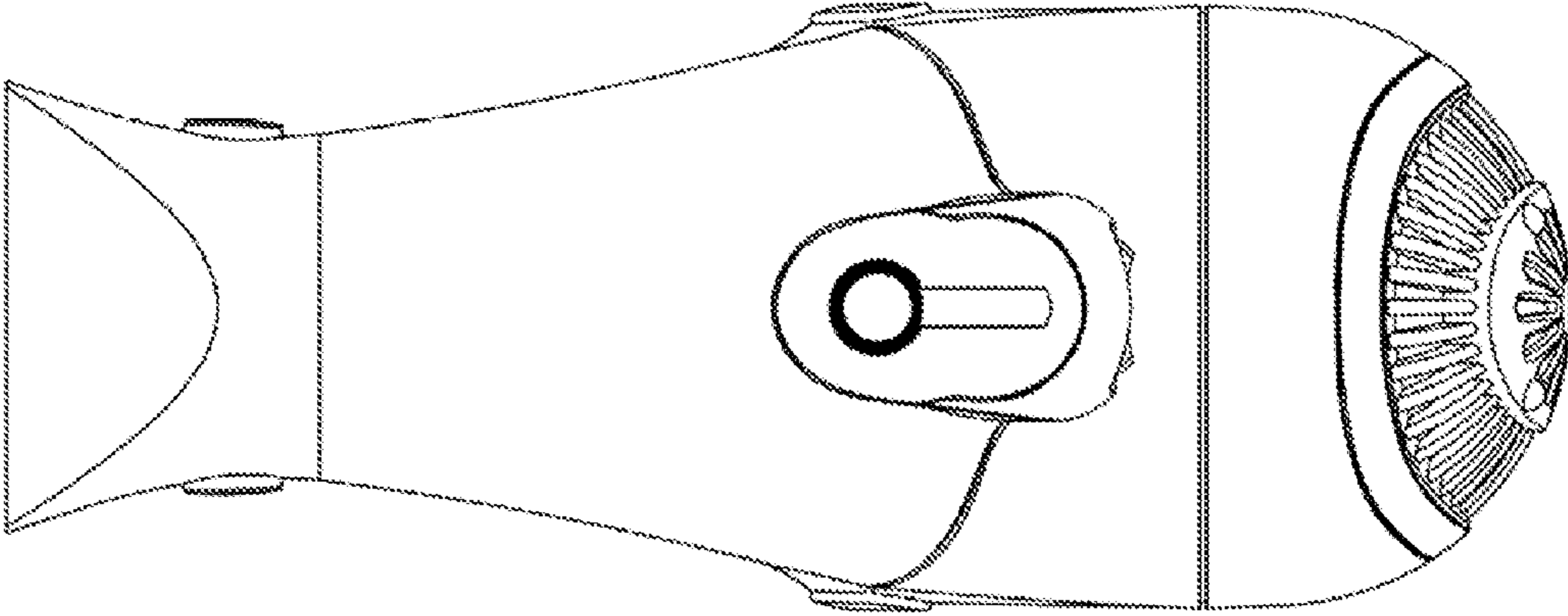


FIG. 3

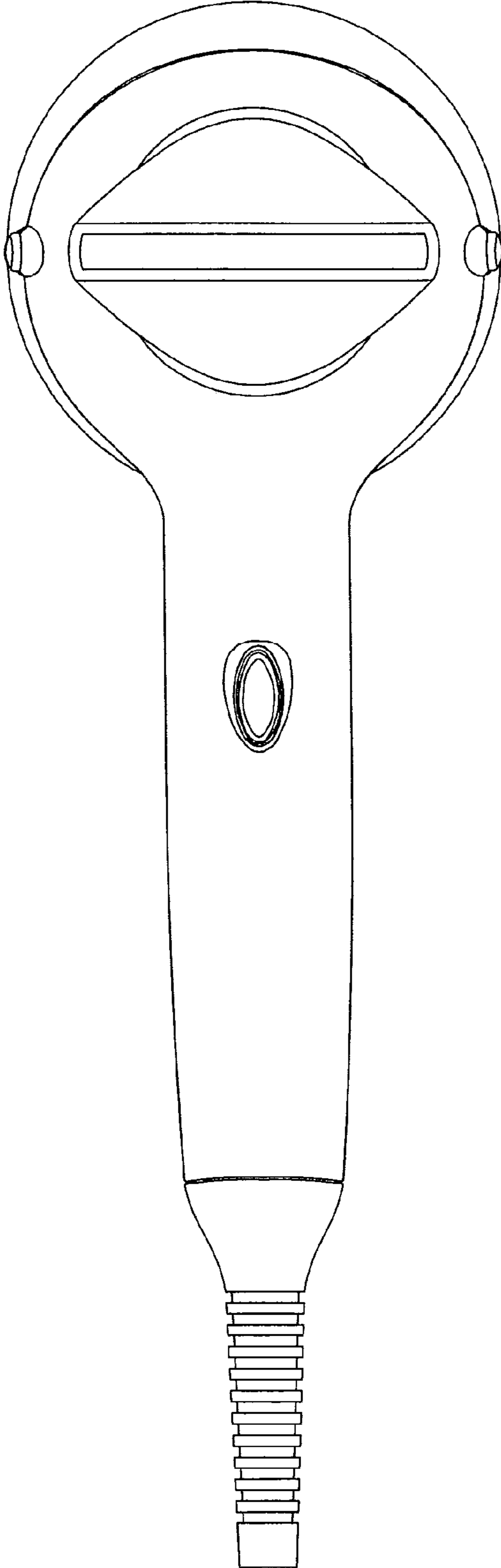


FIG. 4

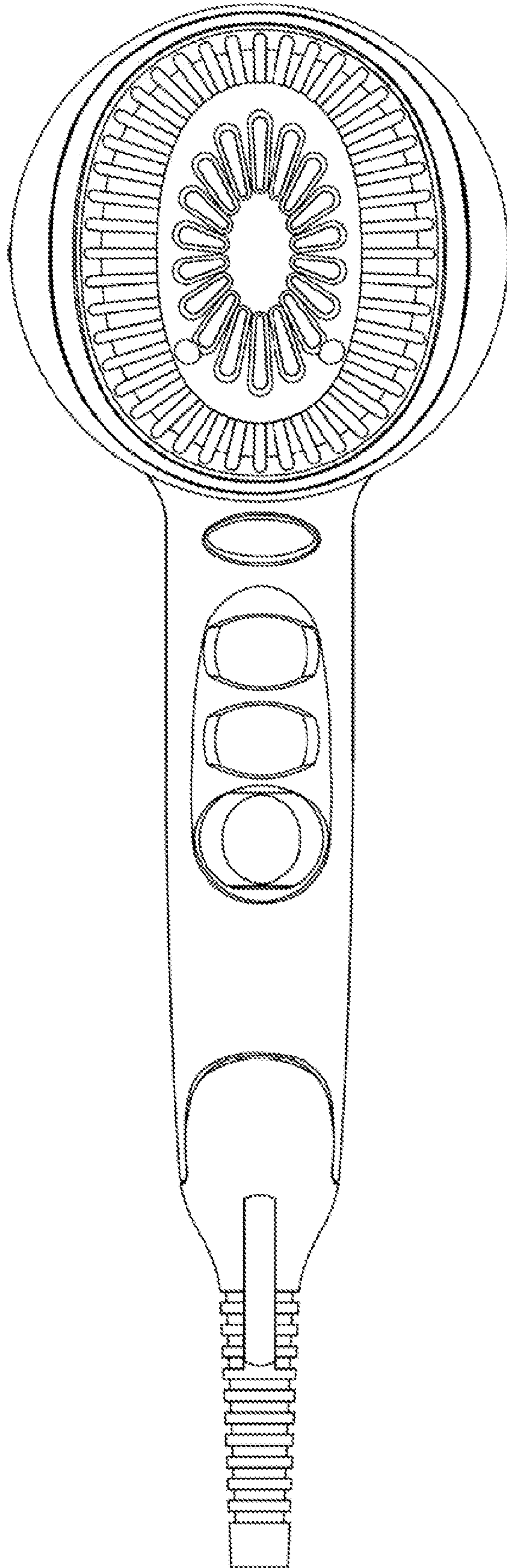


FIG. 5

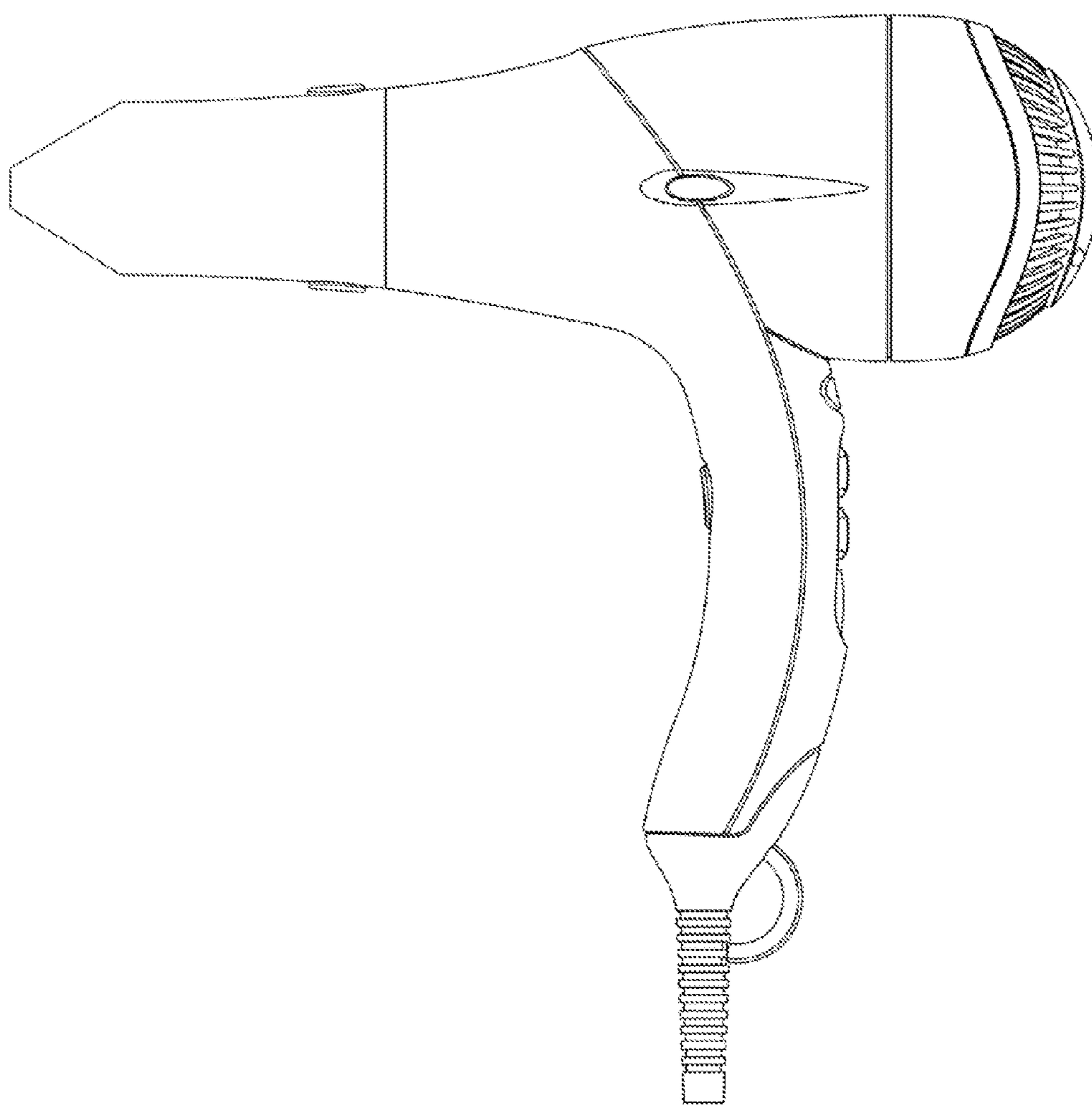


FIG. 6

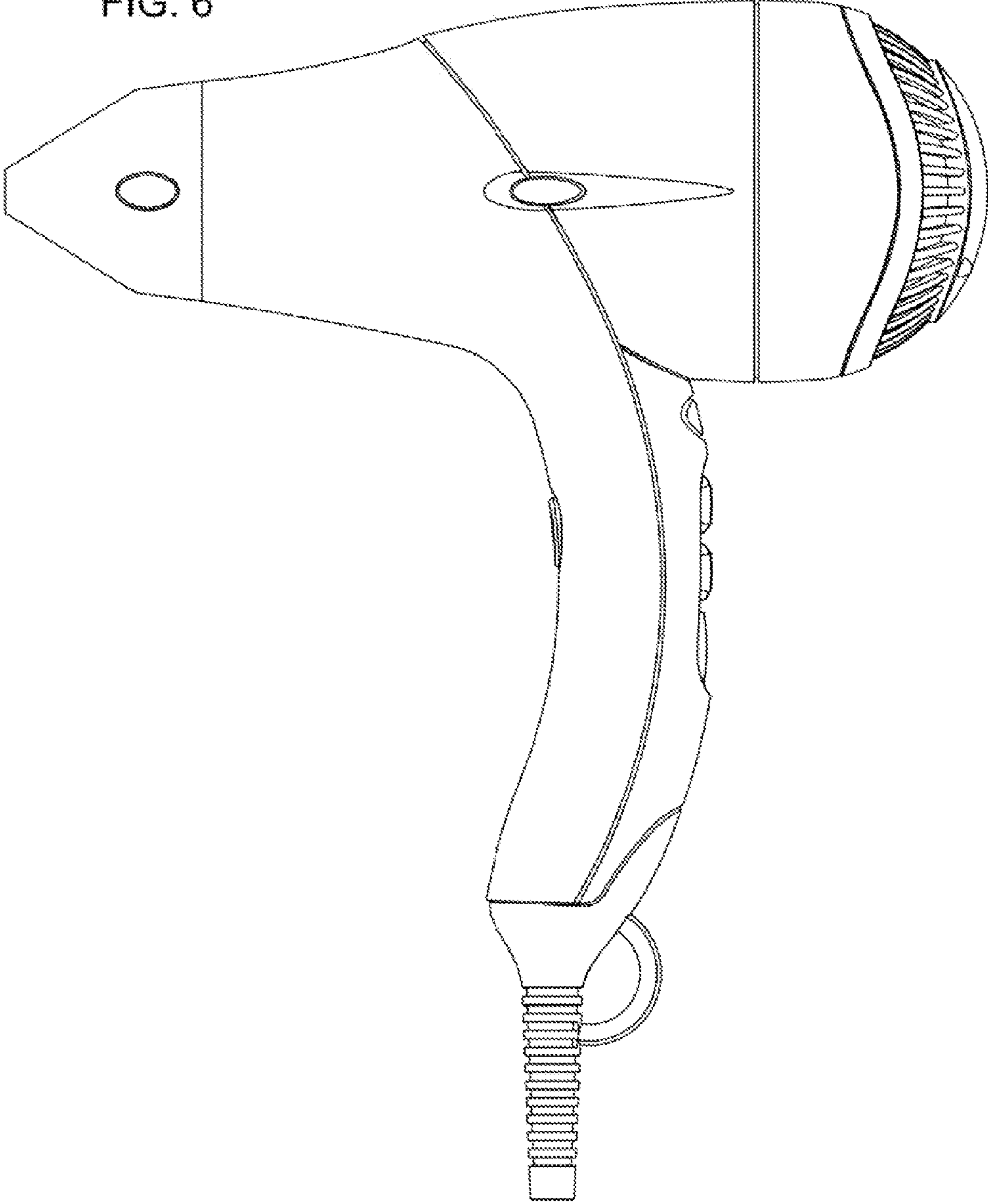


FIG. 7

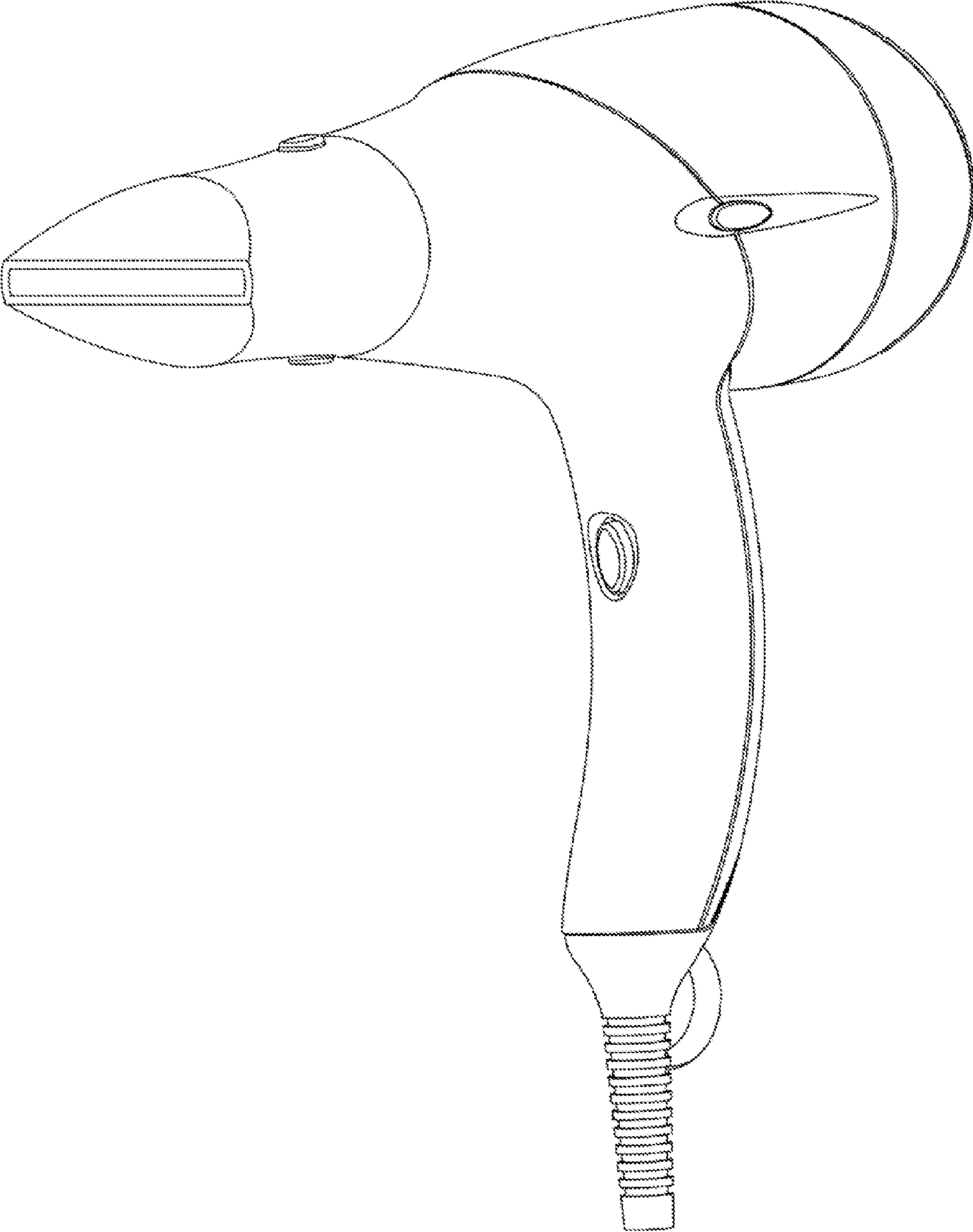


FIG. 8

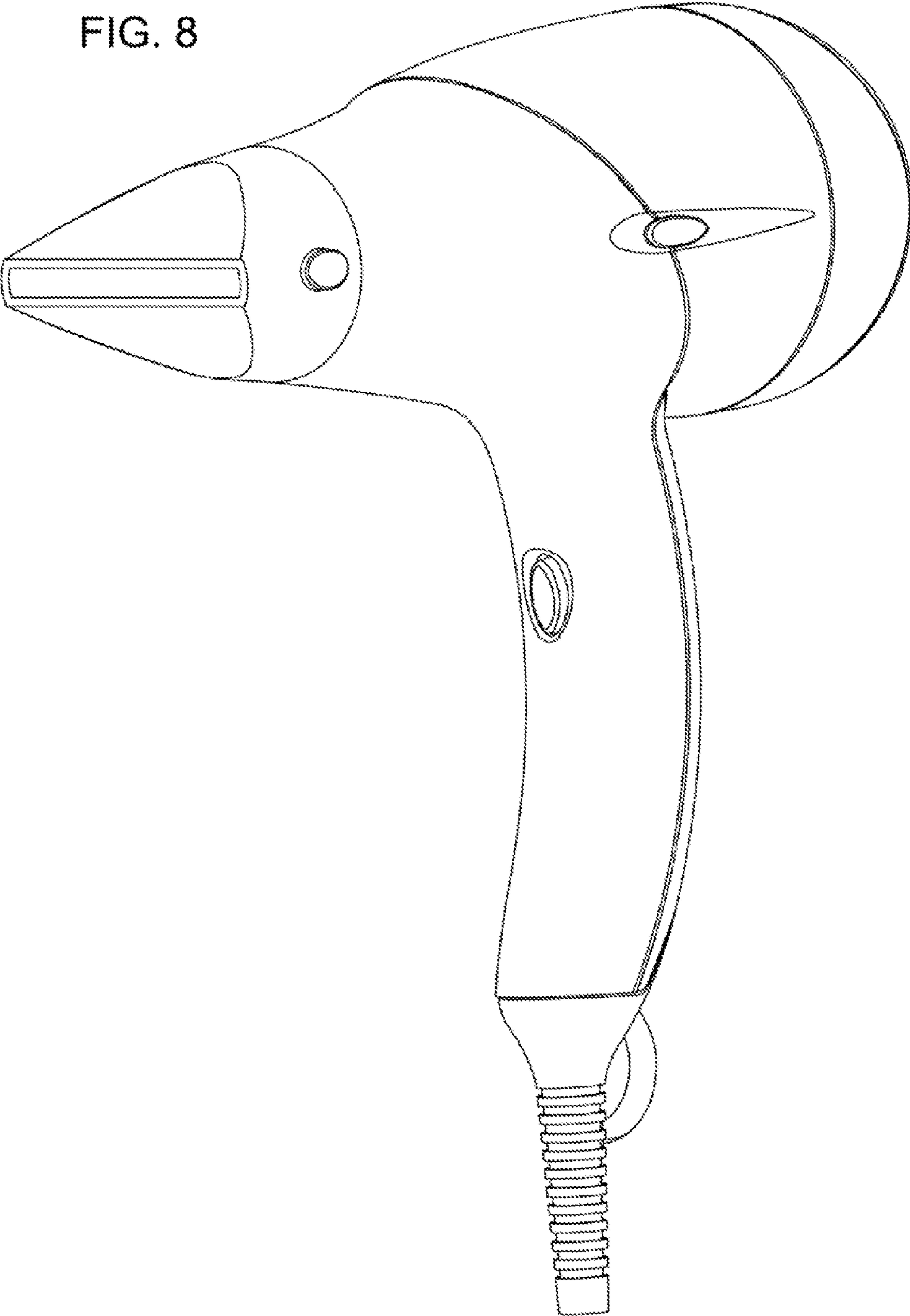


FIG. 9

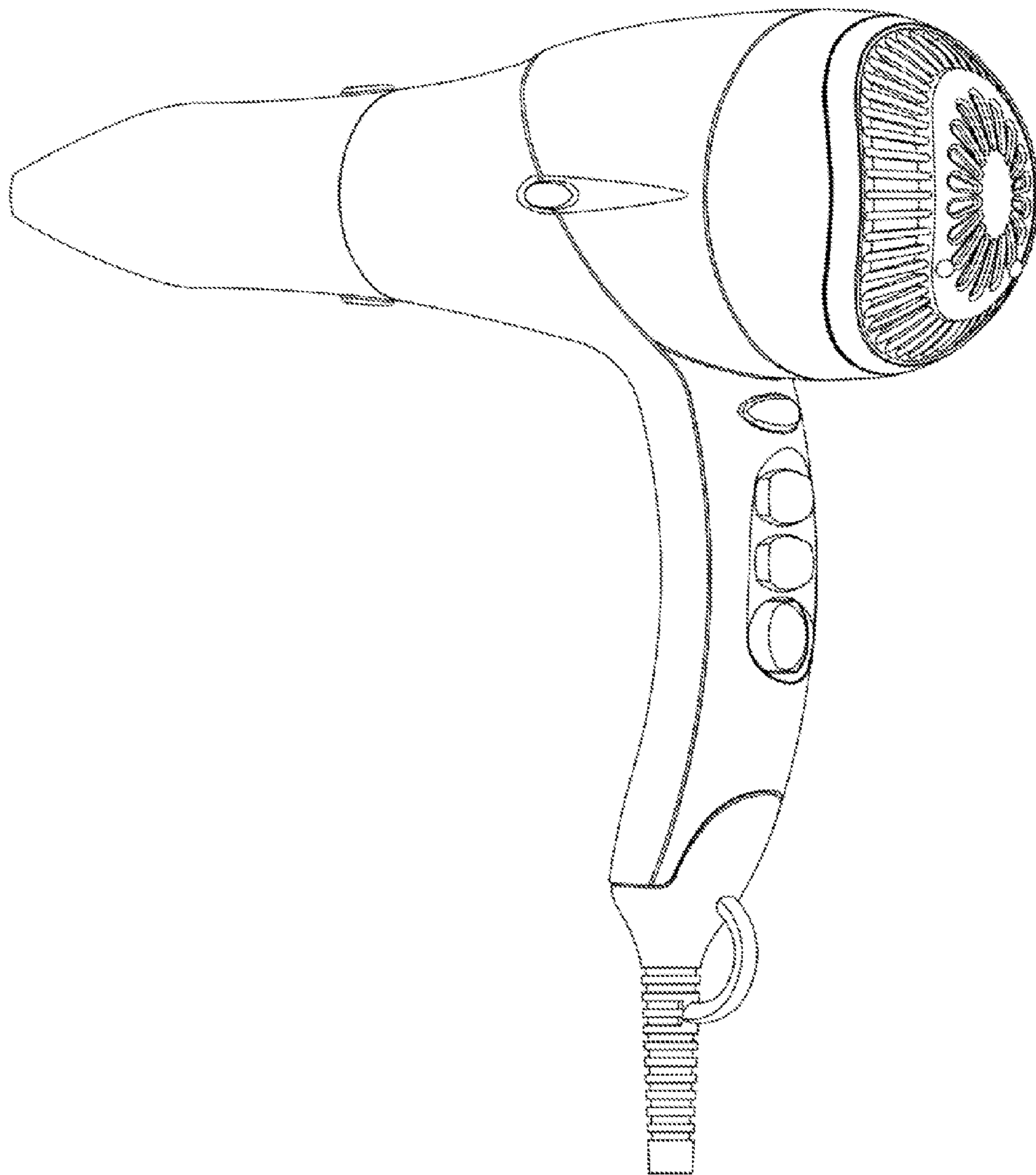


FIG. 10

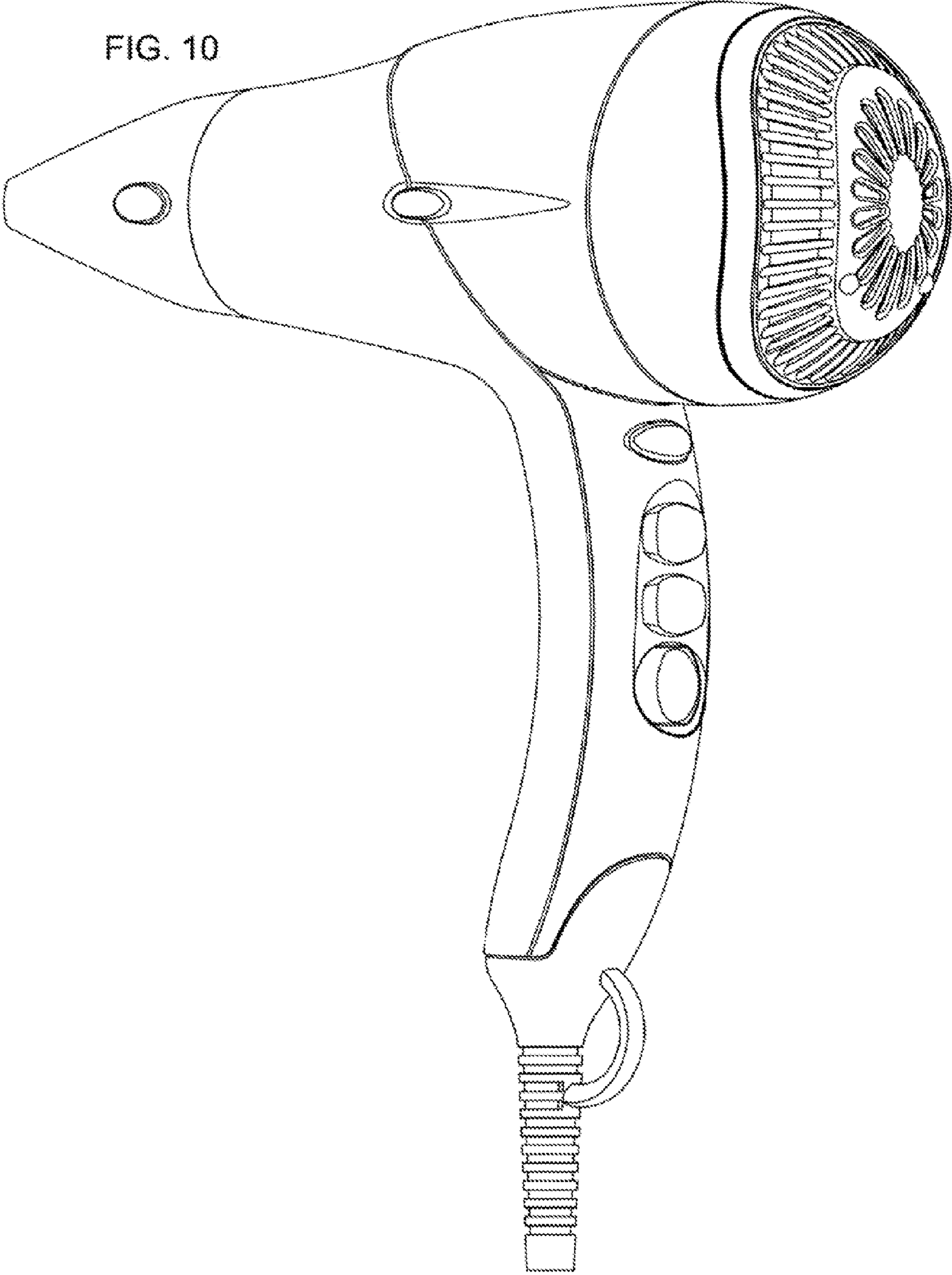


FIG. 11

