

US00D670025S

(12) **United States Design Patent**
Touzjian

(10) **Patent No.:** **US D670,025 S**

(45) **Date of Patent:** **** *Oct. 30, 2012**

(54) **HOOKAH HOSE HOLDER**

(76) Inventor: **Vick Touzjian**, Tarzana, CA (US)

(*) Notice: This patent is subject to a terminal disclaimer.

(**) Term: **14 Years**

(21) Appl. No.: **29/394,816**

(22) Filed: **Jun. 21, 2011**

(51) **LOC (9) Cl.** **27-99**

(52) **U.S. Cl.** **D27/194**

(58) **Field of Classification Search** D27/162,
D27/184, 194, 157, 156, 155, 154, 141, 142,
D27/143, 159, 161, 158, 160, 105, 104, 172,
D27/129, 102, 103, 127, 128, 136, 137, 138,
D27/139, 144, 180; 131/173, 70, 237, 235.1,
131/185, 280, 282, 283, 27.1, 56, 57, 58,
131/231, 234, 240.1, 256; 431/153; 248/230.8,
248/558, 309.1; D6/417; D7/416; D8/395,
D8/394

See application file for complete search history.

(56) **References Cited**

U.S. PATENT DOCUMENTS

3,805,806	A *	4/1974	Grihalva	131/173
D246,391	S *	11/1977	Lefkow et al.	D27/162
D248,573	S *	7/1978	Graham	D27/162
D263,903	S *	4/1982	Johnston	D6/417
4,765,584	A *	8/1988	Lazaris	248/558
D340,183	S *	10/1993	Rumpel	D8/395
D342,805	S *	12/1993	Heine et al.	D27/162
D349,780	S *	8/1994	Heine	D27/162
D350,411	S *	9/1994	Heine	D27/162

D358,227	S *	5/1995	Heine	D27/162
D358,228	S *	5/1995	Heine	D27/162
D368,324	S *	3/1996	Heine	D27/162
D376,973	S *	12/1996	Brown	D8/395
D403,106	S *	12/1998	Barnes	D27/162
D408,269	S *	4/1999	Ross	D8/356
D551,946	S *	10/2007	Hsu	D8/356
D635,656	S *	4/2011	Ghosn	D23/370
D645,200	S *	9/2011	Desvall	D27/162
2007/0280652	A1 *	12/2007	Williams	392/386
2012/0012723	A1 *	1/2012	Mansfield	248/230.8

* cited by examiner

Primary Examiner — Kevin Rudzinski

(74) *Attorney, Agent, or Firm* — Trojan Law Offices

(57) **CLAIM**

The ornamental design for a hookah hose holder, as shown and described.

DESCRIPTION

FIG. 1 is a perspective view of a hookah hose holder showing my new design;

FIG. 2 is a top view of the hookah hose holder shown in FIG. 1;

FIG. 3 is a bottom view of the hookah hose holder shown in FIG. 1;

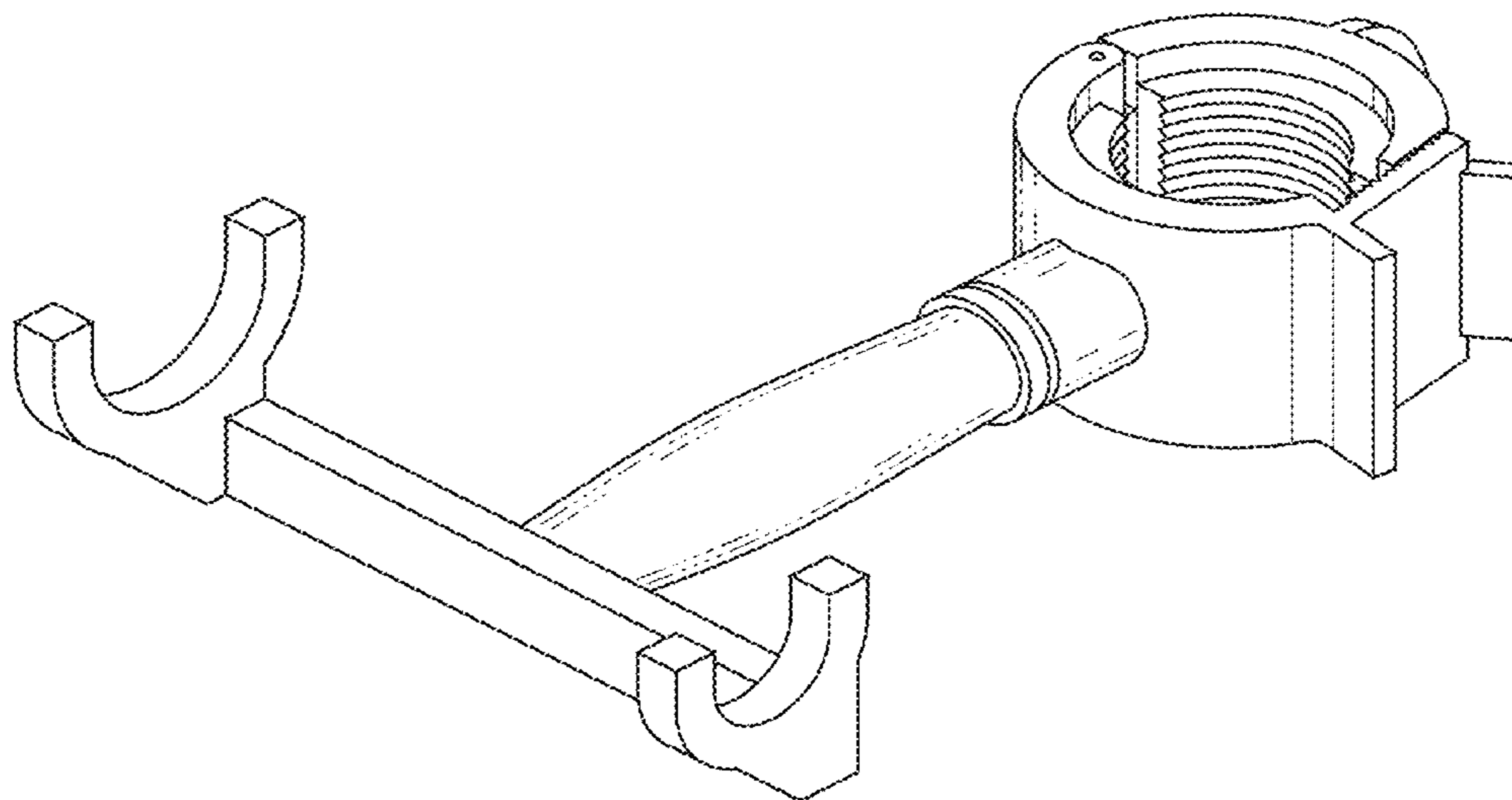
FIG. 4 is a left side view of the hookah hose holder shown in FIG. 1;

FIG. 5 is a right side view of the hookah hose holder shown in FIG. 1;

FIG. 6 is a back view of the hookah hose holder shown in FIG. 1; and,

FIG. 7 is a front view of the hookah hose holder shown in FIG. 1.

1 Claim, 3 Drawing Sheets



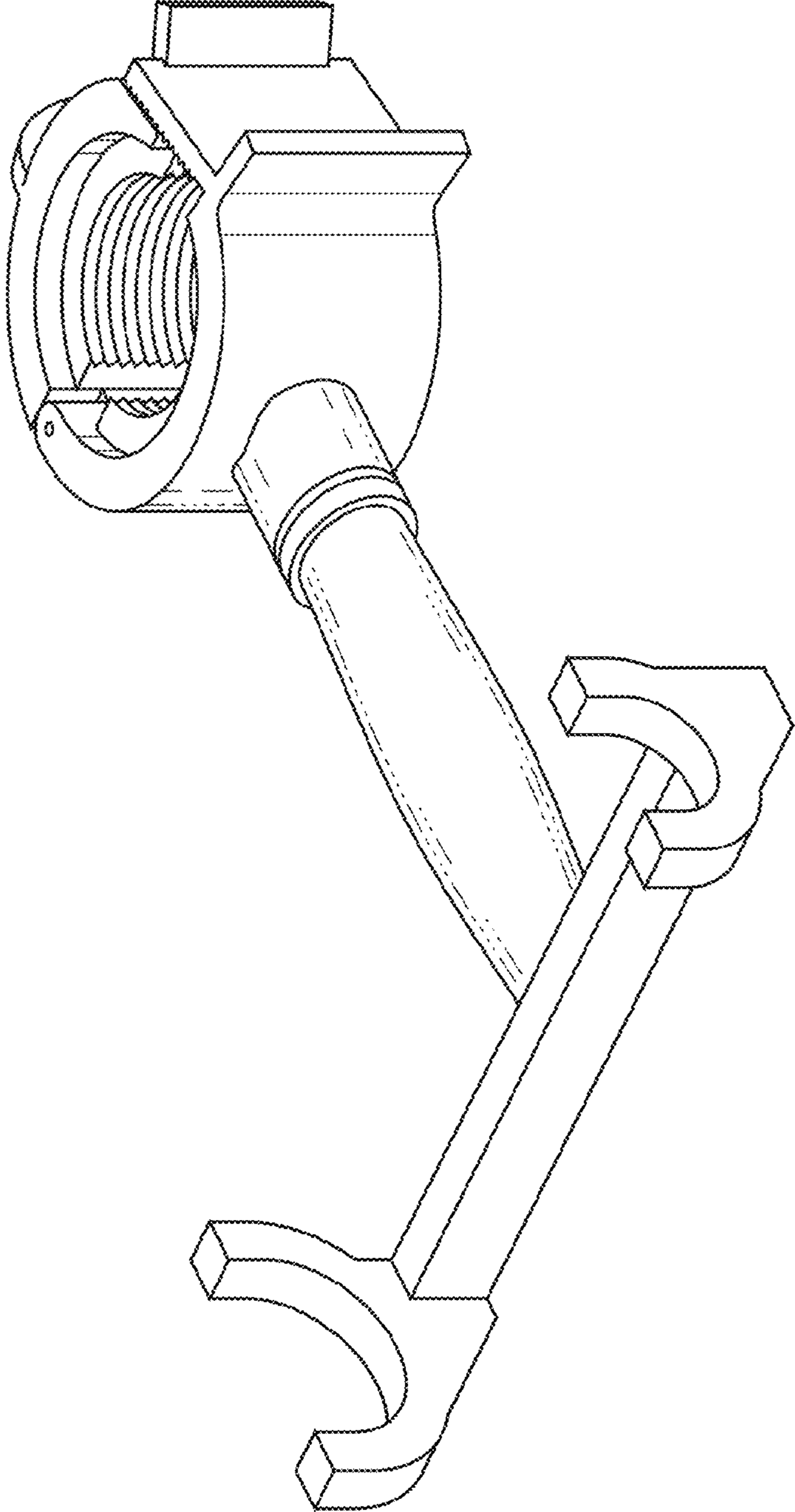


Fig. 1

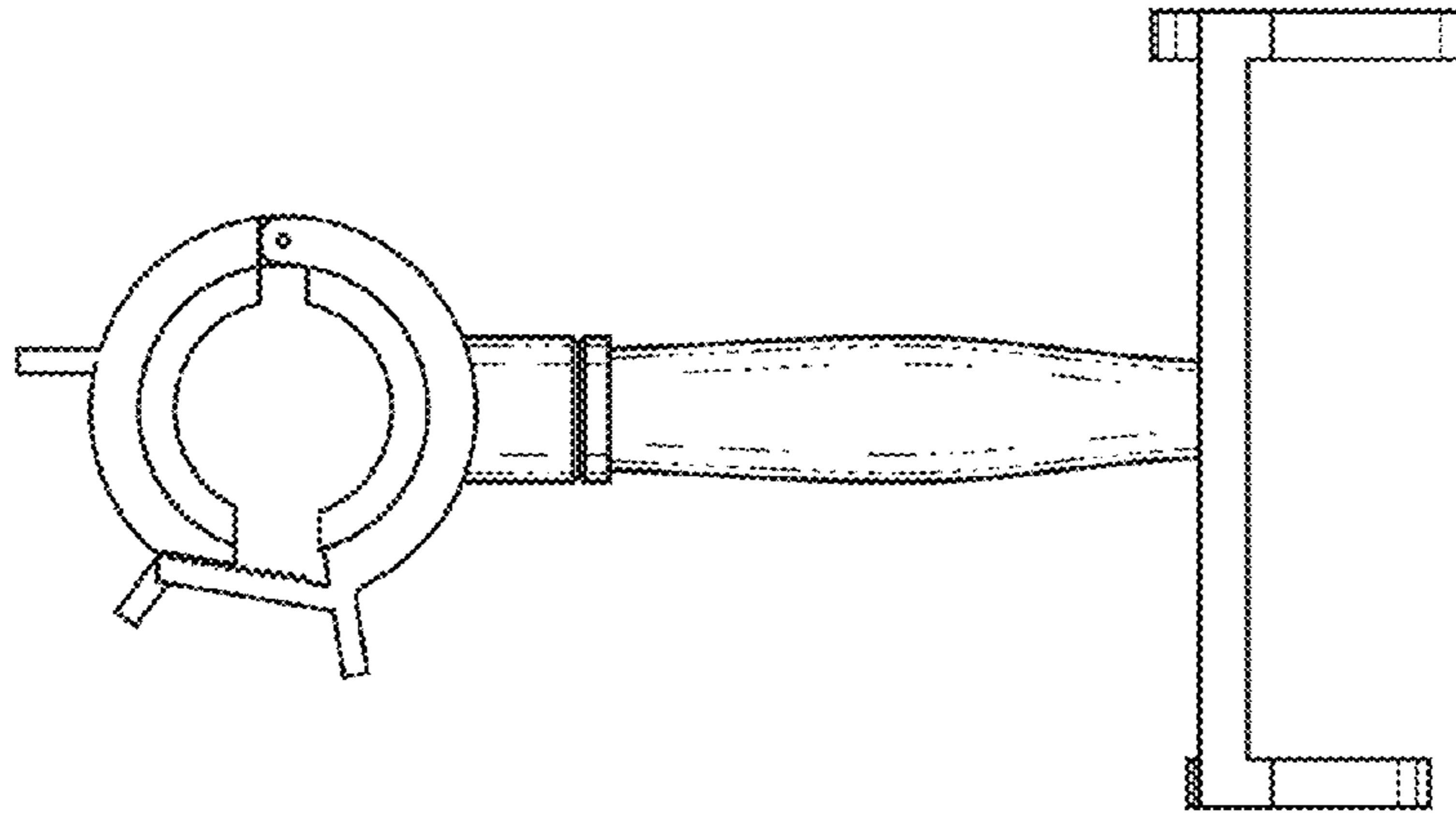


Fig. 3

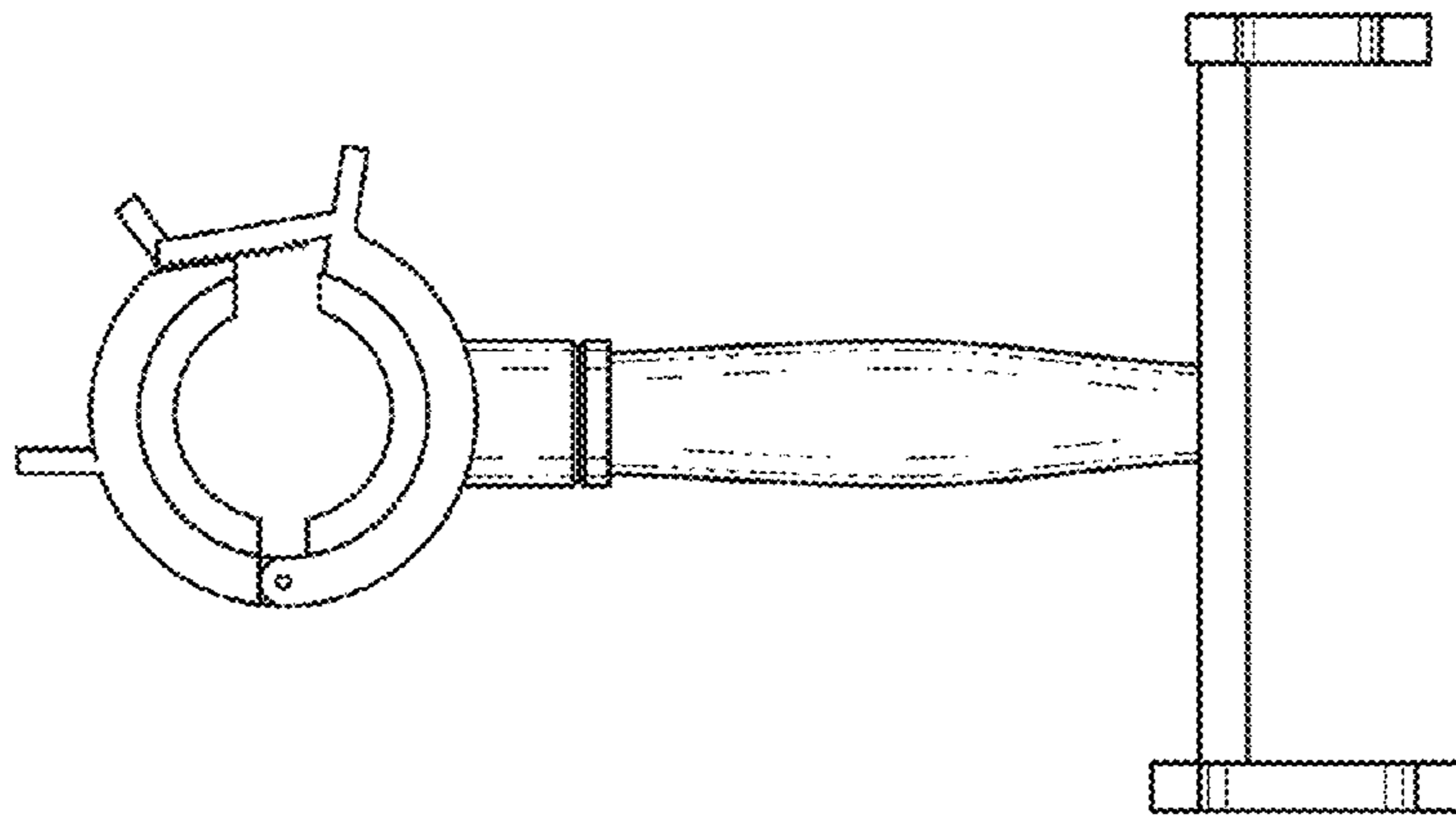


Fig. 2

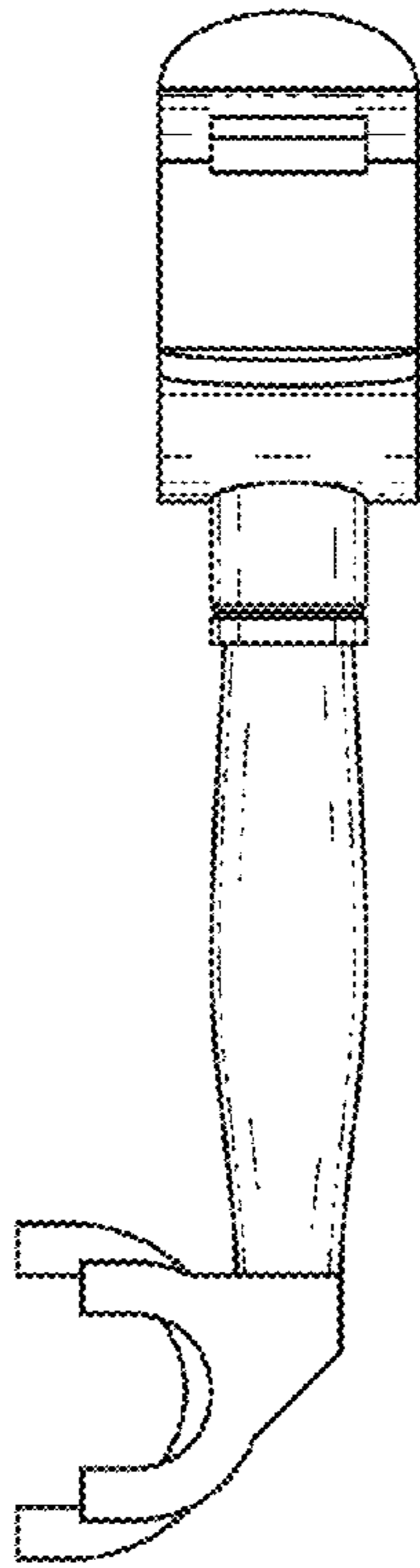


Fig. 4

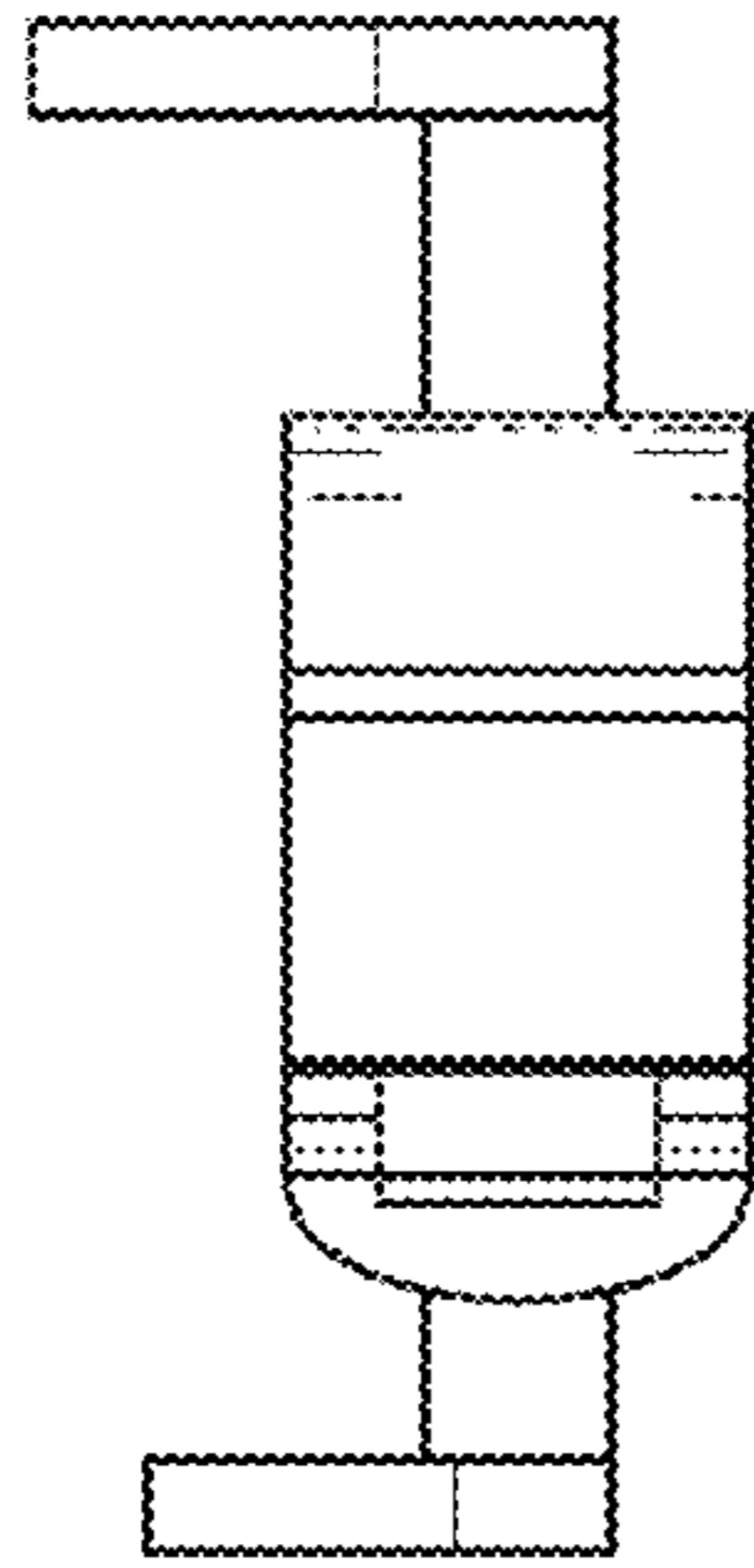


Fig. 6

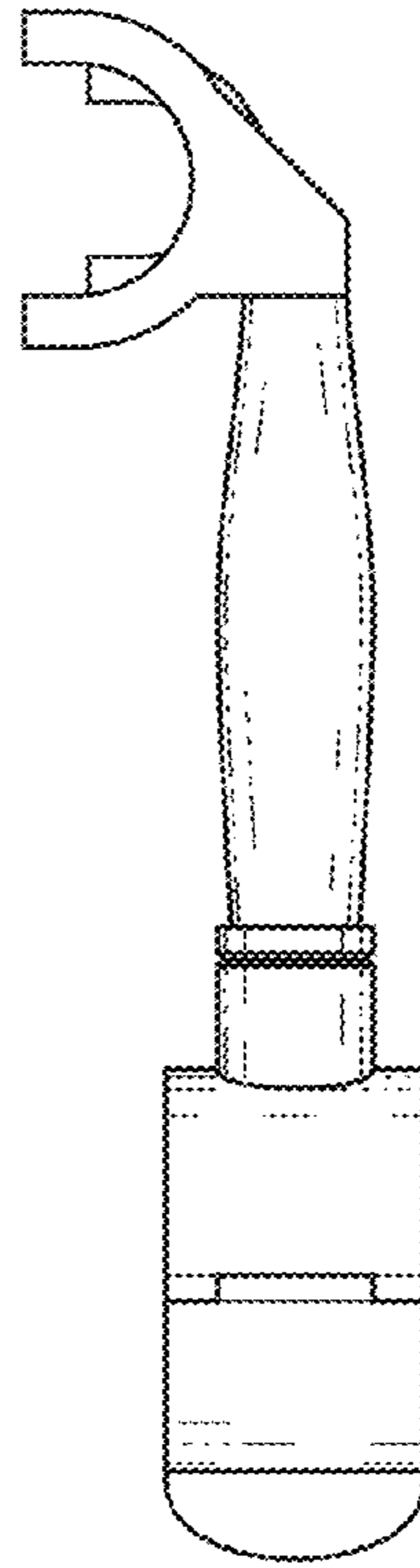


Fig. 5

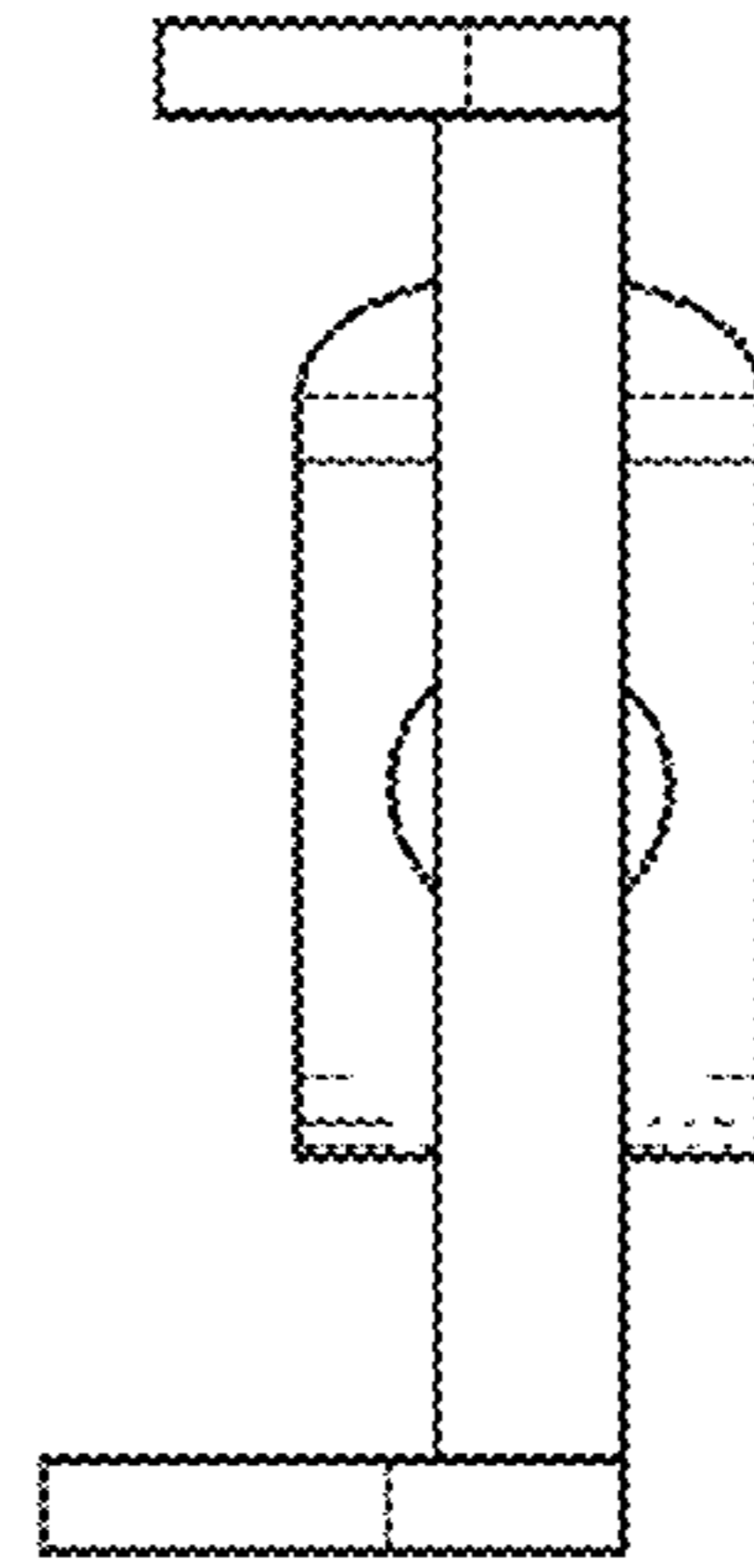


Fig. 7