

US00D670024S

(12) **United States Design Patent**
Green et al.

(10) **Patent No.:** **US D670,024 S**
(45) **Date of Patent:** **** Oct. 30, 2012**

(54) **LUMINAIRE**

(75) Inventors: **Adam Russell Green**, Atlanta, GA (US);
James Richard Christ, Peachtree City,
GA (US)

(73) Assignee: **Cooper Technologies Company**,
Houston, TX (US)

(**) Term: **14 Years**

(21) Appl. No.: **29/416,691**

(22) Filed: **Mar. 26, 2012**

(51) **LOC (9) Cl.** **26-99**

(52) **U.S. Cl.** **D26/128**

(58) **Field of Classification Search** D26/155,
D26/60, 152, 154, 74, 75, 76, 77, 78, 113,
D26/118, 119, 120, 121, 122, 128, 138, 125,
D26/124, 126, 127, 85, 86, 88, 89, 90, 91,
D26/65, 64, 67, 68, 1, 2, 24, 141, 142, 145,
D26/144, 92, 93, 62, 63, 51, 56, 55, 58, 104,
D26/139, 140, 3; 362/101, 225, 634, 246,
362/326, 249.01-249.11, 220, 221, 224,
362/222, 223, 275, 276, 277, 271, 162, 450,
362/236; 211/10; 439/94, 95, 115, 110;
D8/380, 396, 394, 72, 354, 349, 373; D6/310,
D6/314, 470; D23/411; D11/90, 89, 132;
D19/96, 90, 77, 78, 75; D13/179, 180, 155
See application file for complete search history.

(56) **References Cited**

U.S. PATENT DOCUMENTS

D197,908 S	4/1964	Chaffee	
D203,865 S *	2/1966	Cooper	D26/63
4,414,613 A *	11/1983	Mayer	362/549
4,480,809 A	11/1984	Healey	
4,509,106 A *	4/1985	Mayer et al.	362/267
D300,864 S *	4/1989	Titmarsh	D26/24
D308,111 S	5/1990	Banathy et al.	
D319,891 S	9/1991	Giese	
D320,462 S	10/1991	Williams et al.	

D322,135 S *	12/1991	Wierzbicki et al.	D26/24
D322,136 S	12/1991	Shima et al.	
5,205,645 A	4/1993	Lee	
D345,226 S	3/1994	Tsao	
D351,243 S	10/1994	Williams et al.	
D353,474 S *	12/1994	Shyan	D26/63
D355,502 S	2/1995	Liao	
D360,962 S	8/1995	Cornell et al.	
D365,408 S	12/1995	Lui	
D390,980 S *	2/1998	Yamamoto	D26/28
D397,816 S	9/1998	Walls	
D407,836 S	4/1999	Leen	
D420,458 S	2/2000	Guercio	

(Continued)

OTHER PUBLICATIONS

Malibu 8401-9607-01 High Power LED Flood Lights; Amazon.com.; Mar. 6, 2010.

(Continued)

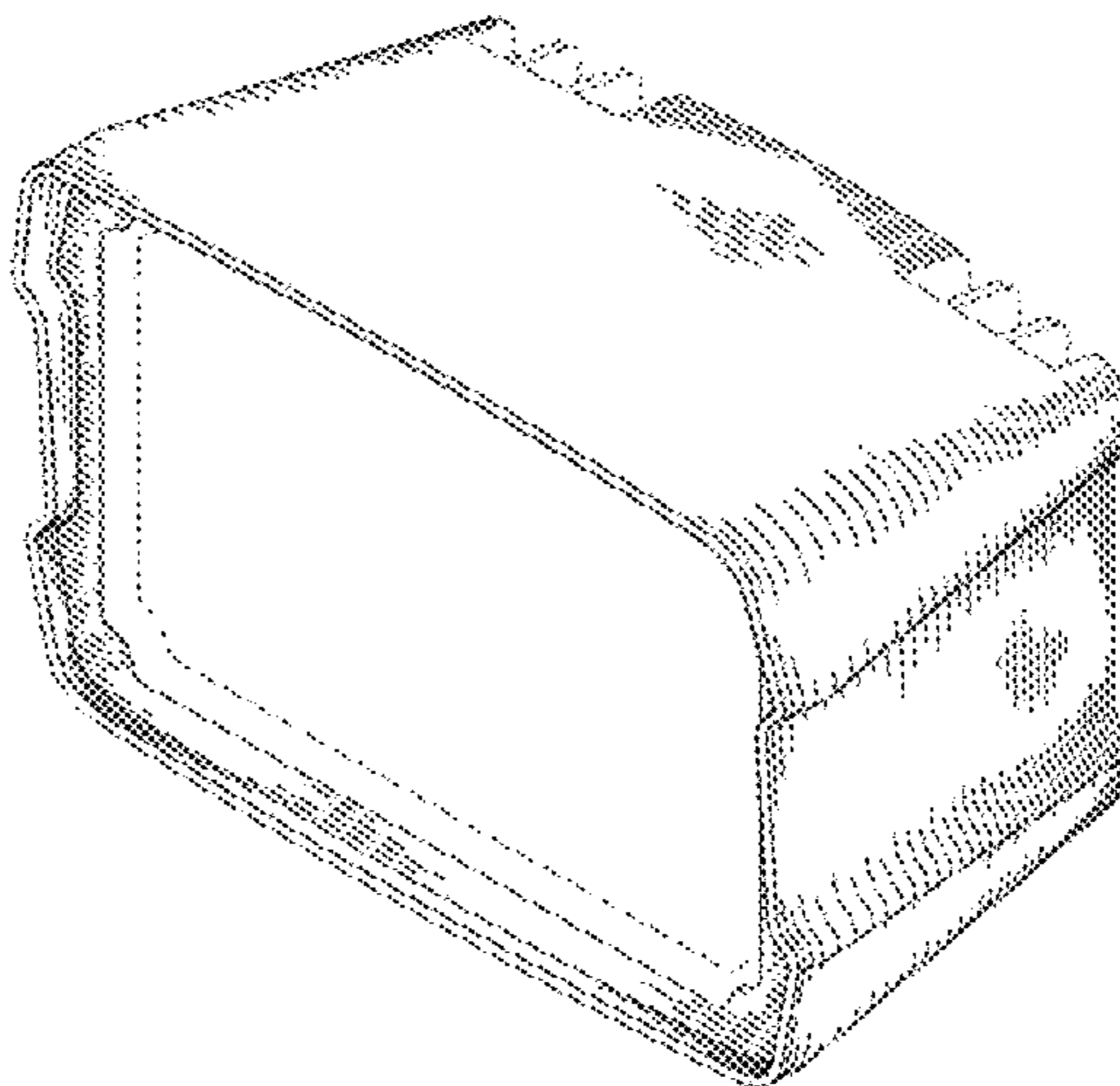
Primary Examiner — Kevin Rudzinski
(74) *Attorney, Agent, or Firm* — King & Spalding

(57) **CLAIM**
The ornamental design for a luminaire, as shown and described.

DESCRIPTION

FIG. 1 is a perspective view of a new ornamental design for a luminaire;
FIG. 2 is a top plan view thereof;
FIG. 3 is a bottom plan view thereof;
FIG. 4 is a front elevation view thereof;
FIG. 5 is a rear elevation view thereof;
FIG. 6 is a right-side elevation view thereof; and,
FIG. 7 is a left-side elevation view thereof.
In the drawings, the dash-dot-dash broken lines indicate the boundaries of the claimed invention while the broken lines shown represent unclaimed subject matter and form no part of the claimed design.

1 Claim, 4 Drawing Sheets



US D670,024 S

Page 2

U.S. PATENT DOCUMENTS

D425,647 S 5/2000 Leen
D434,515 S * 11/2000 McNamara D26/63
6,213,626 B1 4/2001 Qian
6,283,617 B1 9/2001 Stekelenburg
D453,227 S * 1/2002 Lin D26/63
D456,091 S * 4/2002 Rahn D26/63
D475,154 S * 5/2003 Binsukor D26/72
D479,015 S * 8/2003 Tang D26/63
D494,697 S * 8/2004 Leen D26/63
D505,220 S 5/2005 Stekelenburg
D544,125 S * 6/2007 Guercio D26/63
D547,477 S 7/2007 Guercio
D547,478 S 7/2007 Guercio
D550,392 S * 9/2007 Guercio D26/92
D551,789 S 9/2007 Mullen
D552,283 S * 10/2007 Guercio D26/63
D552,778 S * 10/2007 Butler D26/63
D561,369 S * 2/2008 Sandell D26/63
D564,223 S * 3/2008 Messineo D3/243
D564,688 S * 3/2008 Korpi D26/63
D566,318 S 4/2008 Quiogue et al.
D570,024 S 5/2008 Guercio

D574,102 S 7/2008 Quiogue et al.
D577,141 S 9/2008 Monroe
D587,839 S 3/2009 Guercio
D606,223 S * 12/2009 Gordin D26/63
D611,635 S 3/2010 Gordin
D618,374 S 6/2010 Guercio
D624,682 S * 9/2010 Ying et al. D26/63
D625,450 S * 10/2010 Rosenkrantz et al. D26/61
D625,872 S 10/2010 Leen
D629,550 S 12/2010 Sandell
D635,712 S 4/2011 Leen
D643,147 S 8/2011 Guercio
D648,479 S * 11/2011 Herman D26/118
D656,662 S 3/2012 Lehman et al.
D659,280 S * 5/2012 Guercio et al. D26/118

OTHER PUBLICATIONS

80 Watt Outdoor LED Flood Lights; LED Lighting; Mar. 2006.
Utilitech 16-light Motion Activated Security Lighting; Lowes.com;
Dec. 14, 2009.
Caprera Flood Light by Lumitec; My BoatsGear.com; Aug. 25, 2010.

* cited by examiner

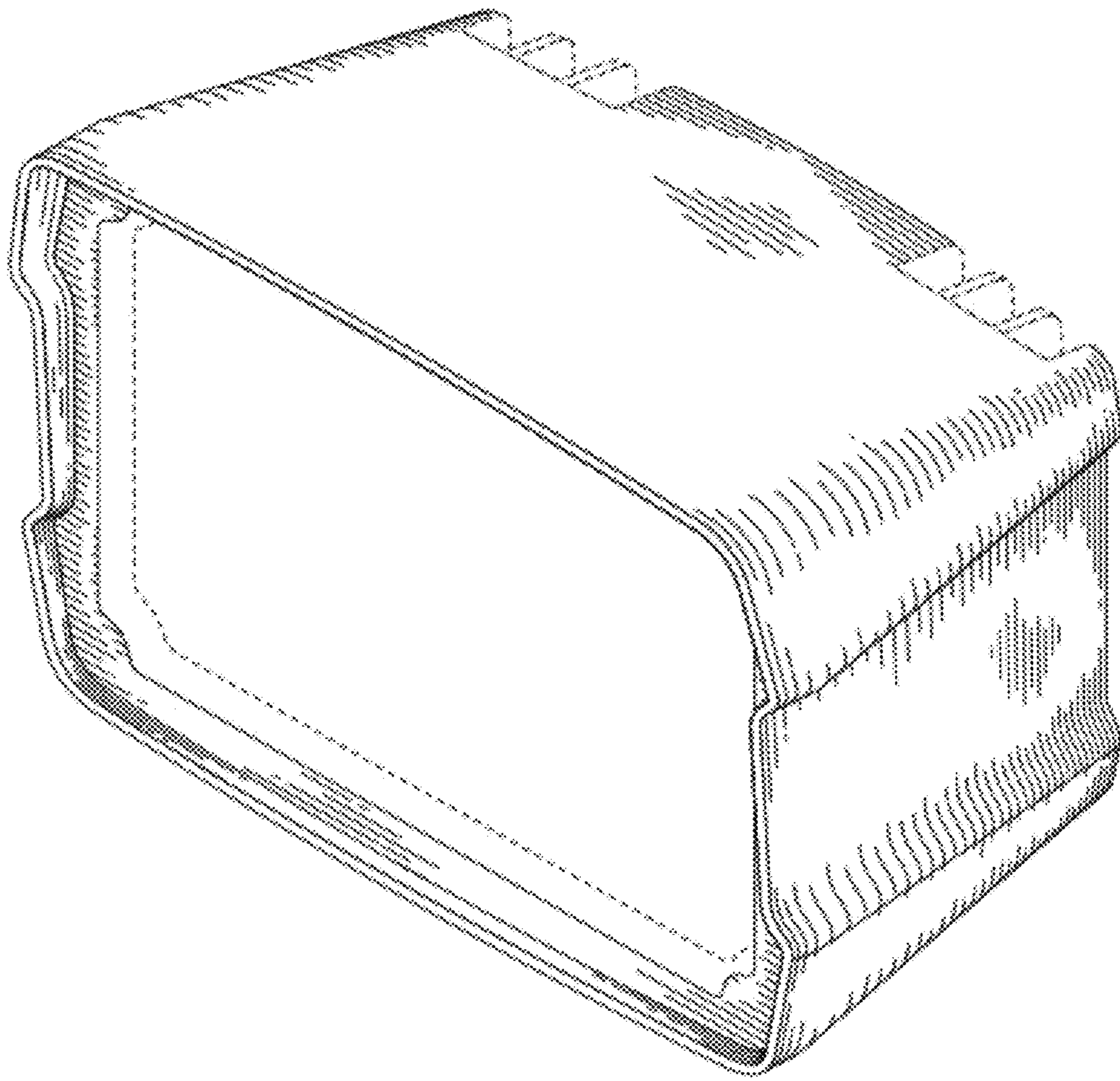


FIG. 1

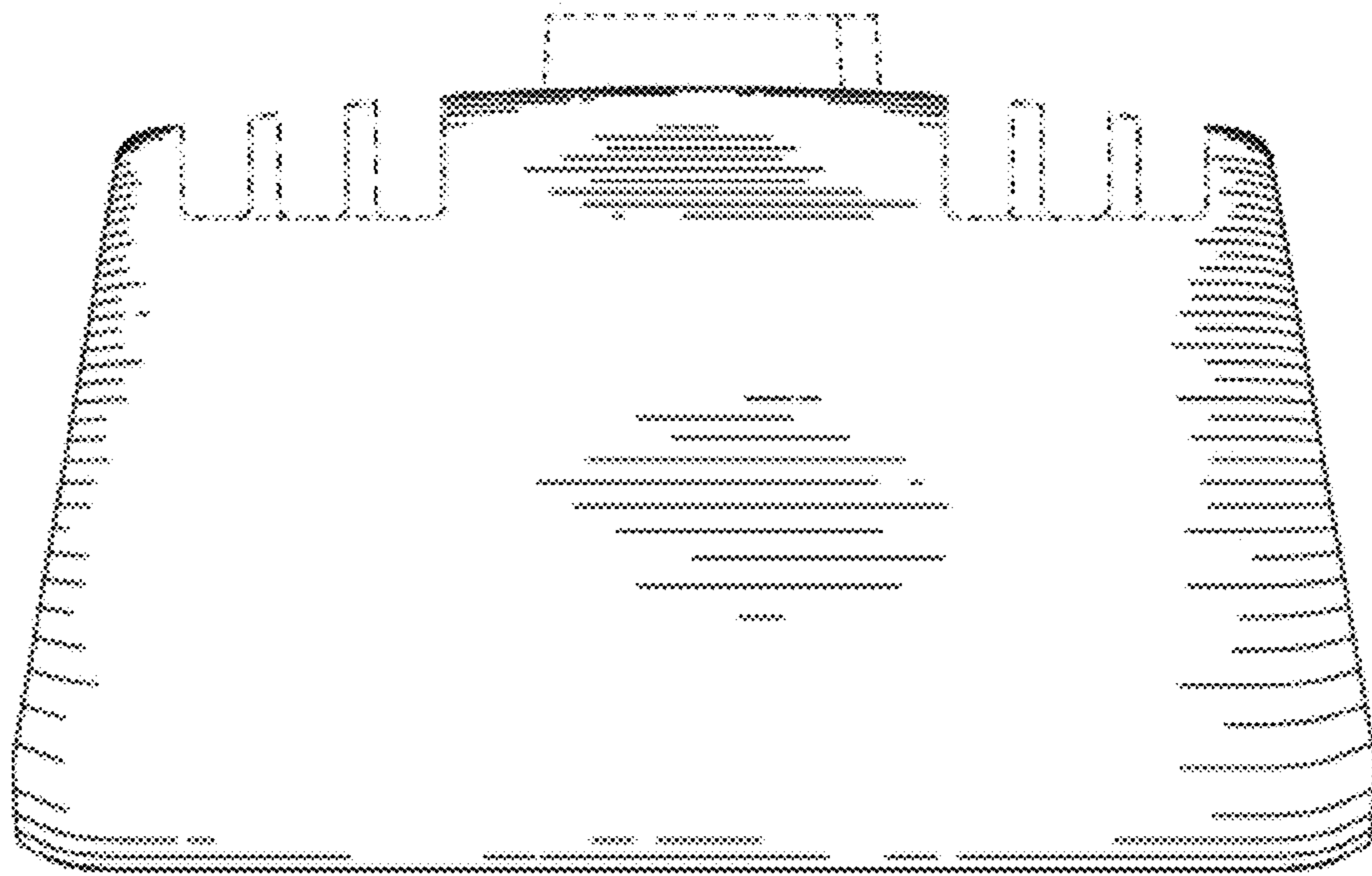


FIG. 2

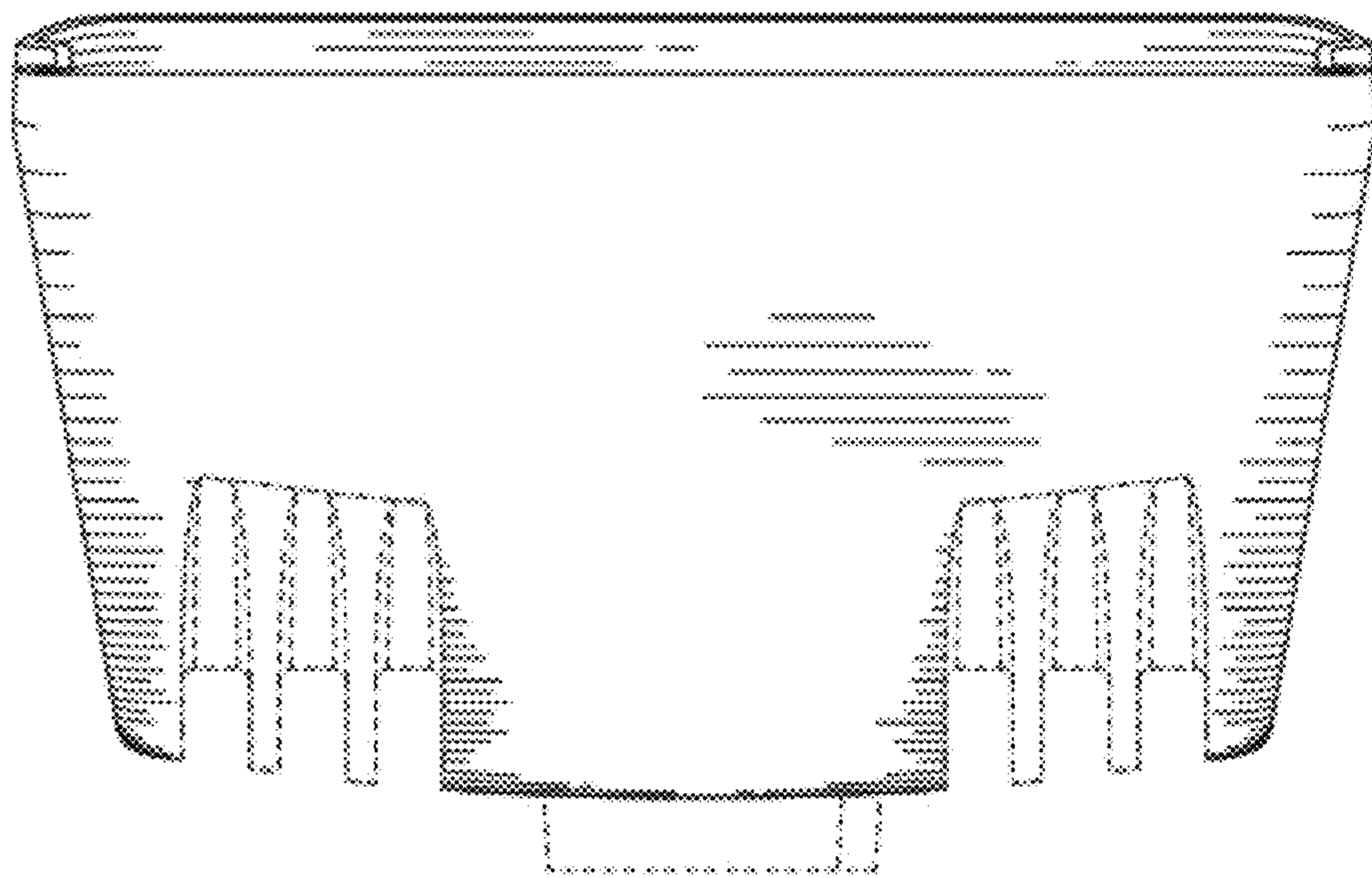


FIG. 3

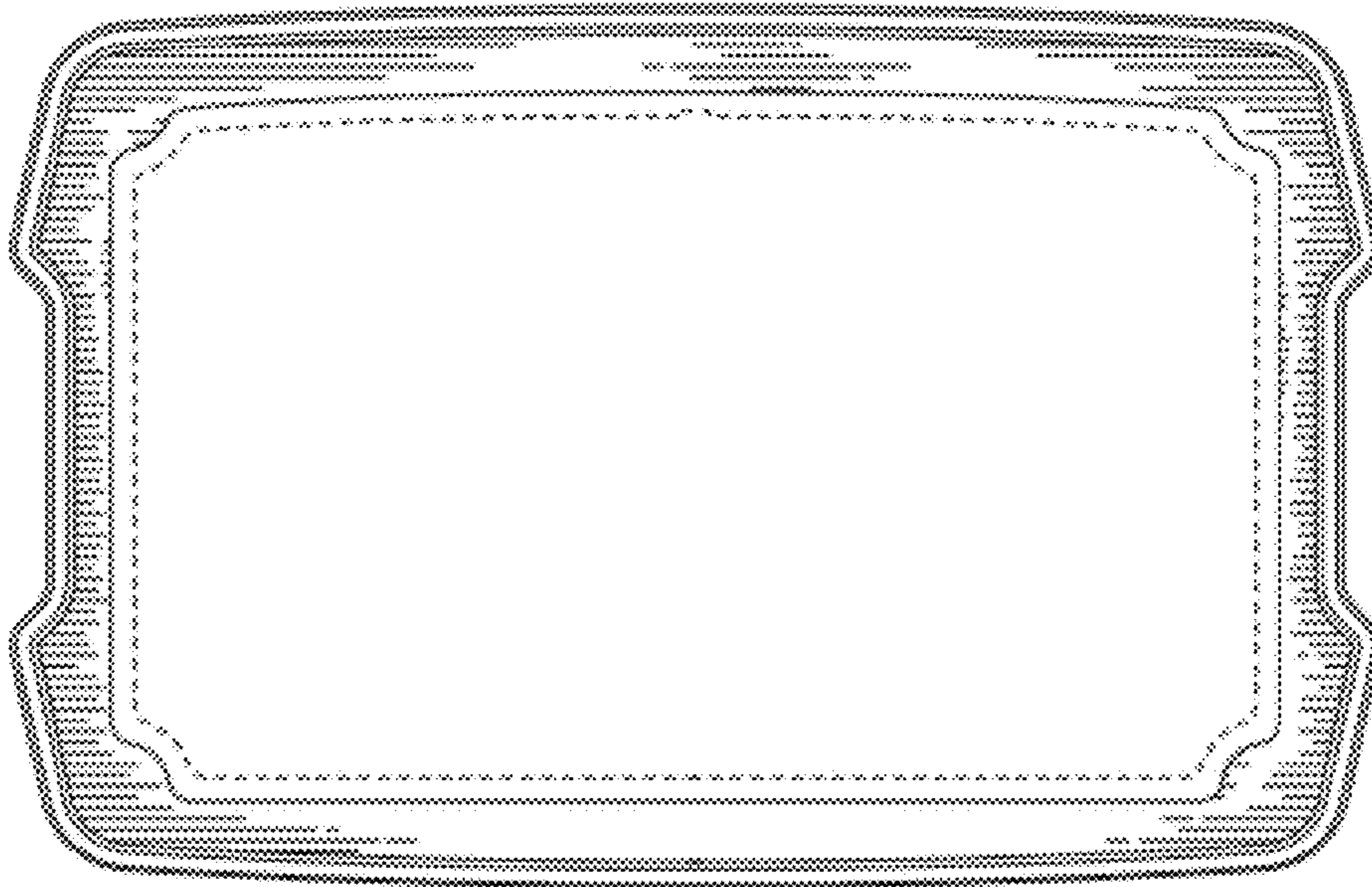


FIG. 4

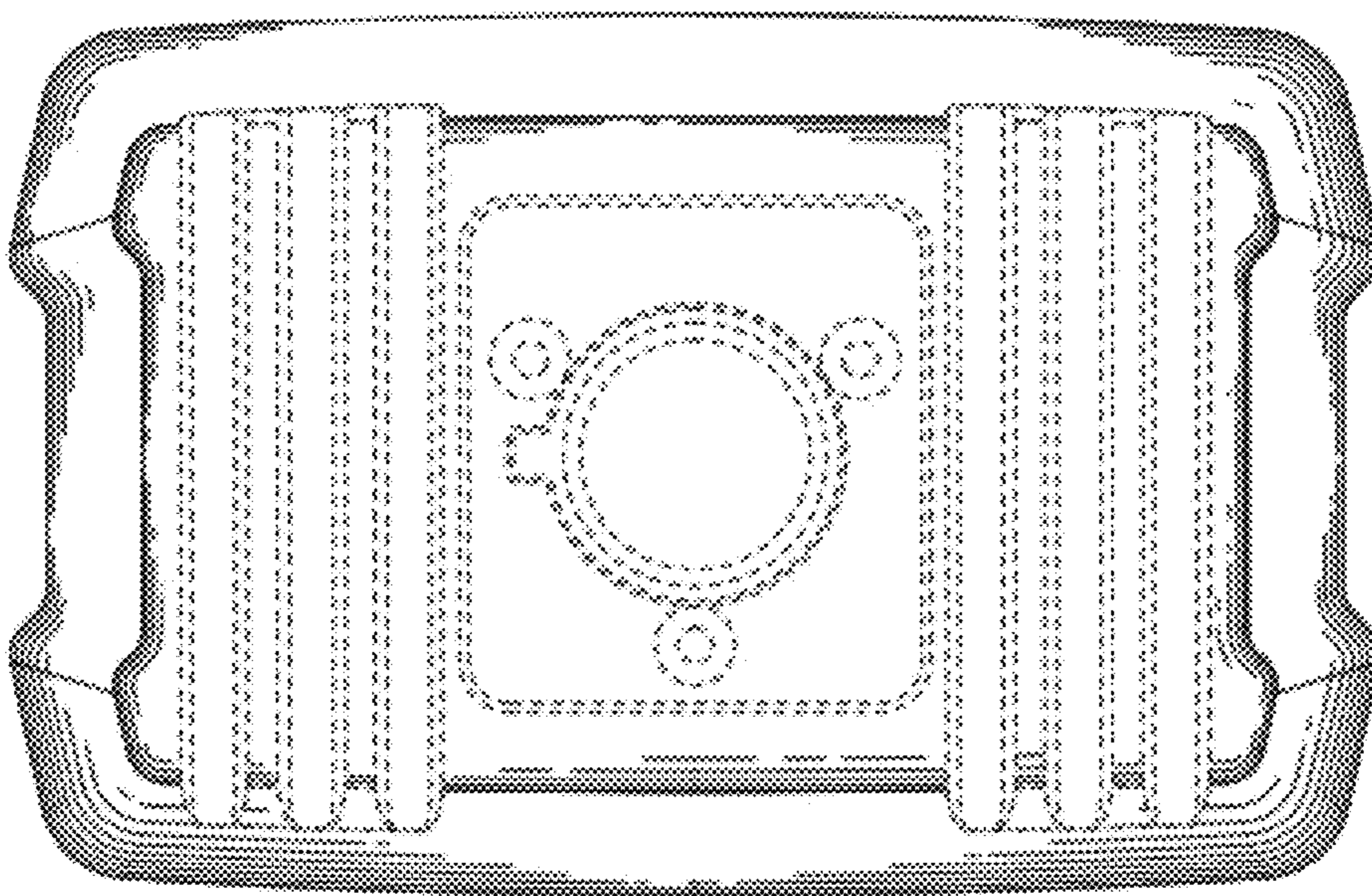


FIG. 5

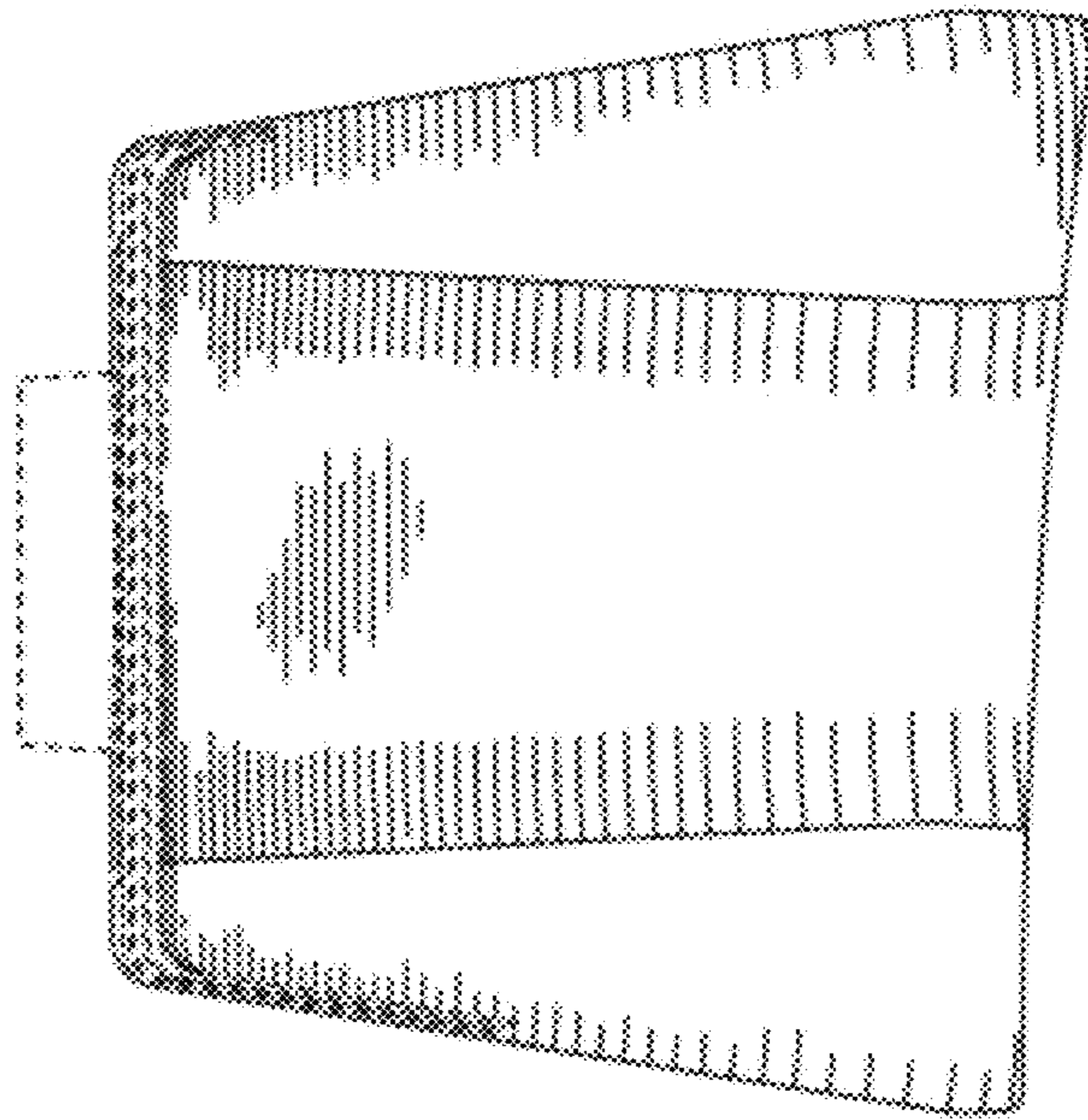


FIG. 6

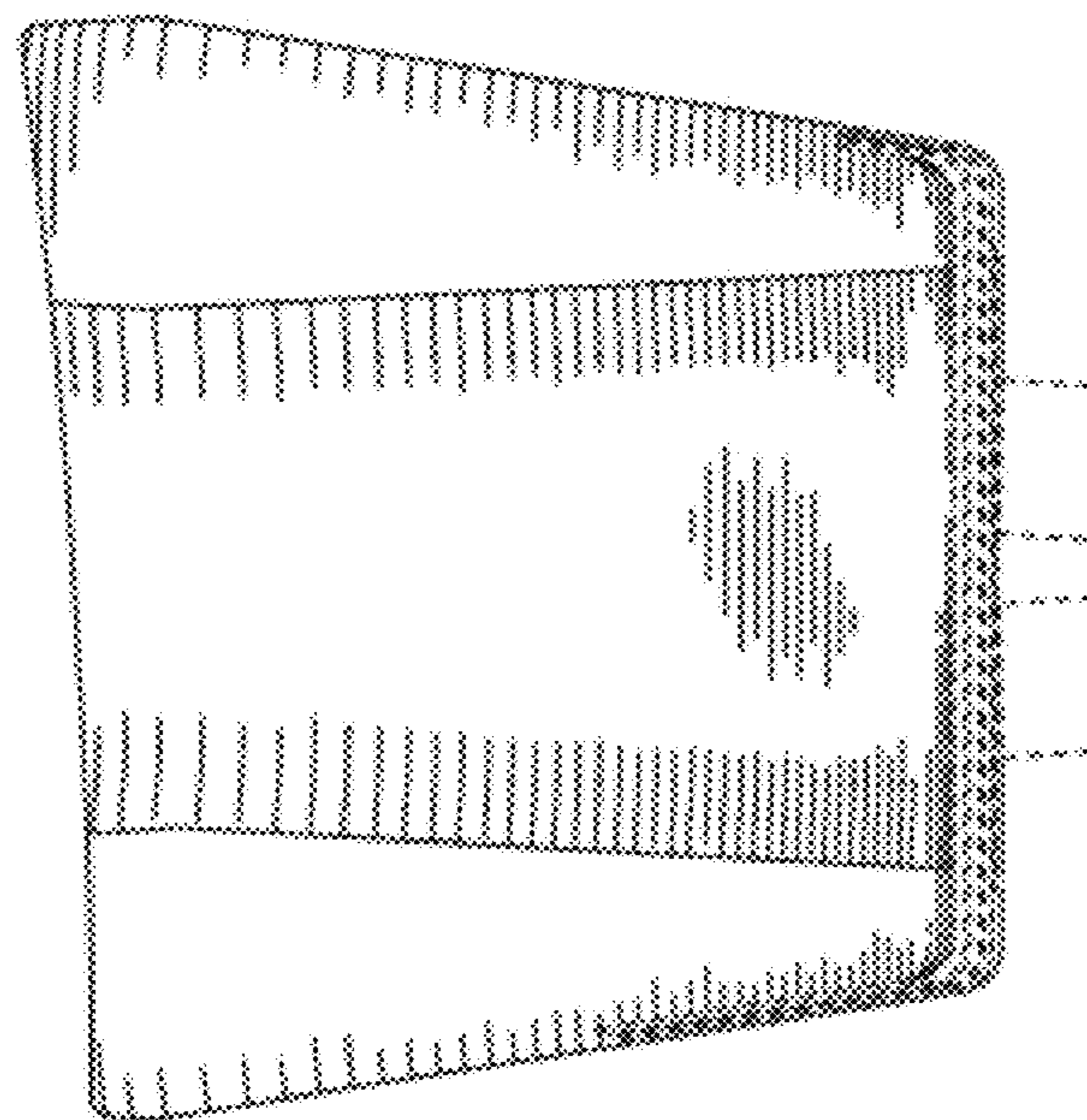


FIG. 7