



US00D670023S

(12) **United States Design Patent**
Green

(10) **Patent No.:** **US D670,023 S**

(45) **Date of Patent:** **** Oct. 30, 2012**

- (54) **LUMINAIRE**
- (75) Inventor: **Adam Russell Green**, Atlanta, GA (US)
- (73) Assignee: **Cooper Technologies Company**,
Houston, TX (US)
- (**) Term: **14 Years**
- (21) Appl. No.: **29/416,591**
- (22) Filed: **Mar. 23, 2012**
- (51) **LOC (9) Cl.** **26-99**
- (52) **U.S. Cl.** **D26/128**
- (58) **Field of Classification Search** D26/155,
D26/60, 152, 154, 74, 75, 76, 77, 78, 113,
D26/118, 119, 120, 122, 128, 138, 125, 124,
D26/126, 127, 85, 86, 88, 89, 90, 91, 65,
D26/64, 67, 68, 1, 2, 24, 141, 142, 145, 144,
D26/92, 93, 62, 63, 51, 56, 55, 58, 104, 139,
D26/140, 3; 362/101, 225, 634, 246, 326,
362/249.01-249.11, 220, 221, 224, 222,
362/223, 275, 276, 277, 271, 162, 450, 236;
211/10; 439/94, 95, 115, 110; D8/380, 396,
D8/394, 72, 354, 349, 373; D6/310, 314,
D6/470; D23/411; D11/90, 89, 132; D19/96,
D19/90, 77, 78, 75; D13/179, 180, 155
See application file for complete search history.

- D321,947 S * 11/1991 Rudd et al. D26/35
- D324,432 S 3/1992 Frost
- D336,756 S * 6/1993 Meisner et al. D26/65
- D347,485 S 5/1994 Kira
- 5,319,530 A * 6/1994 Kreutzer et al. 362/546
- D348,944 S 7/1994 Shalvi
- D353,474 S * 12/1994 Shyan D26/63
- D366,712 S 1/1996 Hanson et al.
- D386,802 S * 11/1997 Kim, II D26/51
- D390,980 S * 2/1998 Yamamoto D26/28
- D407,168 S * 3/1999 Arakelian D26/28
- D430,684 S * 9/2000 Yamamoto D26/28
- D434,515 S * 11/2000 McNamara D26/63
- D453,227 S * 1/2002 Lin D26/63
- D479,015 S * 8/2003 Tang D26/63
- D483,511 S * 12/2003 Lay et al. D26/80
- D488,105 S * 4/2004 Stahel et al. D12/114
- D494,697 S * 8/2004 Leen D26/63
- D499,823 S * 12/2004 Reiss et al. D26/28
- D501,947 S 2/2005 Haugaard et al.
- D507,373 S 7/2005 Kim
- D531,342 S 10/2006 Kauffman et al.

(Continued)

Primary Examiner — Kevin Rudzinski
(74) *Attorney, Agent, or Firm* — King & Spalding LLP

(57) **CLAIM**
The ornamental design for a luminaire, as shown and described.

DESCRIPTION

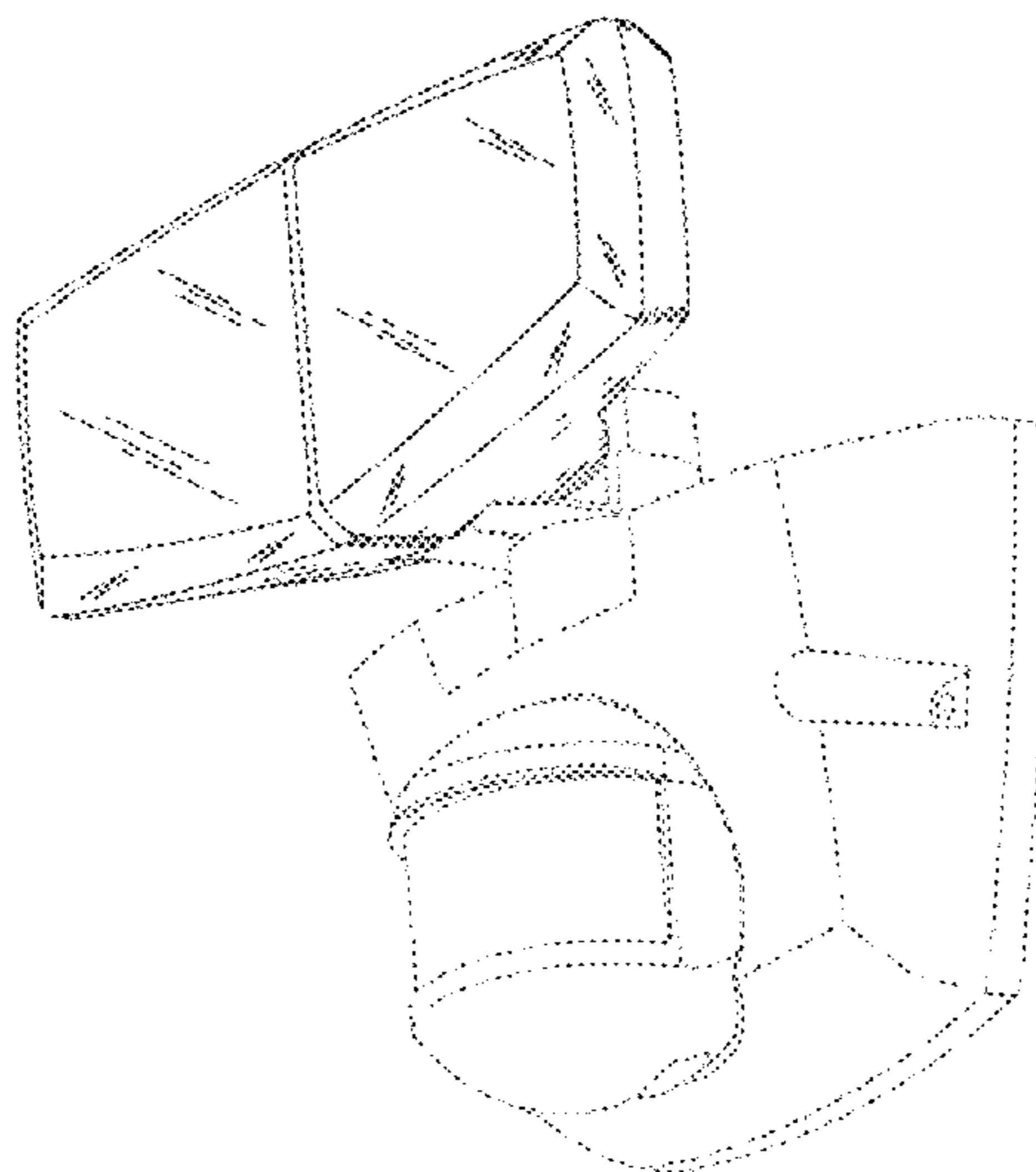
FIG. 1 is a perspective view of a new ornamental design for a luminaire;
FIG. 2 is a front elevation front view thereof;
FIG. 3 is a rear elevation view thereof;
FIG. 4 is a right-side elevation view thereof;
FIG. 5 is a left-side elevation view thereof;
FIG. 6 is a top plan view thereof;
FIG. 7 is a bottom plan view thereof; and,
FIG. 8 is a partial rear elevation view thereof.
The broken lines shown represent unclaimed subject matter and form no part of the claimed design.

1 Claim, 8 Drawing Sheets

(56) **References Cited**

U.S. PATENT DOCUMENTS

- D196,669 S 10/1963 Lasker
- D203,865 S * 2/1966 Cooper D26/63
- D204,302 S 4/1966 Pauli
- D212,722 S * 11/1968 Kahn D10/114.1
- D221,351 S * 8/1971 Remington D26/86
- D246,131 S * 10/1977 Schifrin D26/28
- D250,912 S * 1/1979 Tixier D26/28
- D269,210 S * 5/1983 Cutlip et al. D26/28
- 4,509,106 A * 4/1985 Mayer et al. 362/267
- D300,864 S * 4/1989 Titmarsh D26/24
- 4,858,082 A * 8/1989 Hayward 362/542
- D310,268 S 8/1990 Shalvi



US D670,023 S

Page 2

U.S. PATENT DOCUMENTS

D532,918 S	11/2006	Lay et al.	
D552,778 S *	10/2007	Butler	D26/63
D583,088 S	12/2008	Leung et al.	
D589,836 S *	4/2009	Pokorny	D10/114.1
D603,080 S *	10/2009	Benensohn	D26/80
D607,135 S *	12/2009	Levine et al.	D26/80
D610,931 S *	3/2010	Lyons	D10/114.1
D624,682 S *	9/2010	Ying et al.	D26/63
D625,453 S	10/2010	Morton et al.	
D636,515 S	4/2011	Wang	
D649,675 S *	11/2011	Sabernig	D26/84

* cited by examiner

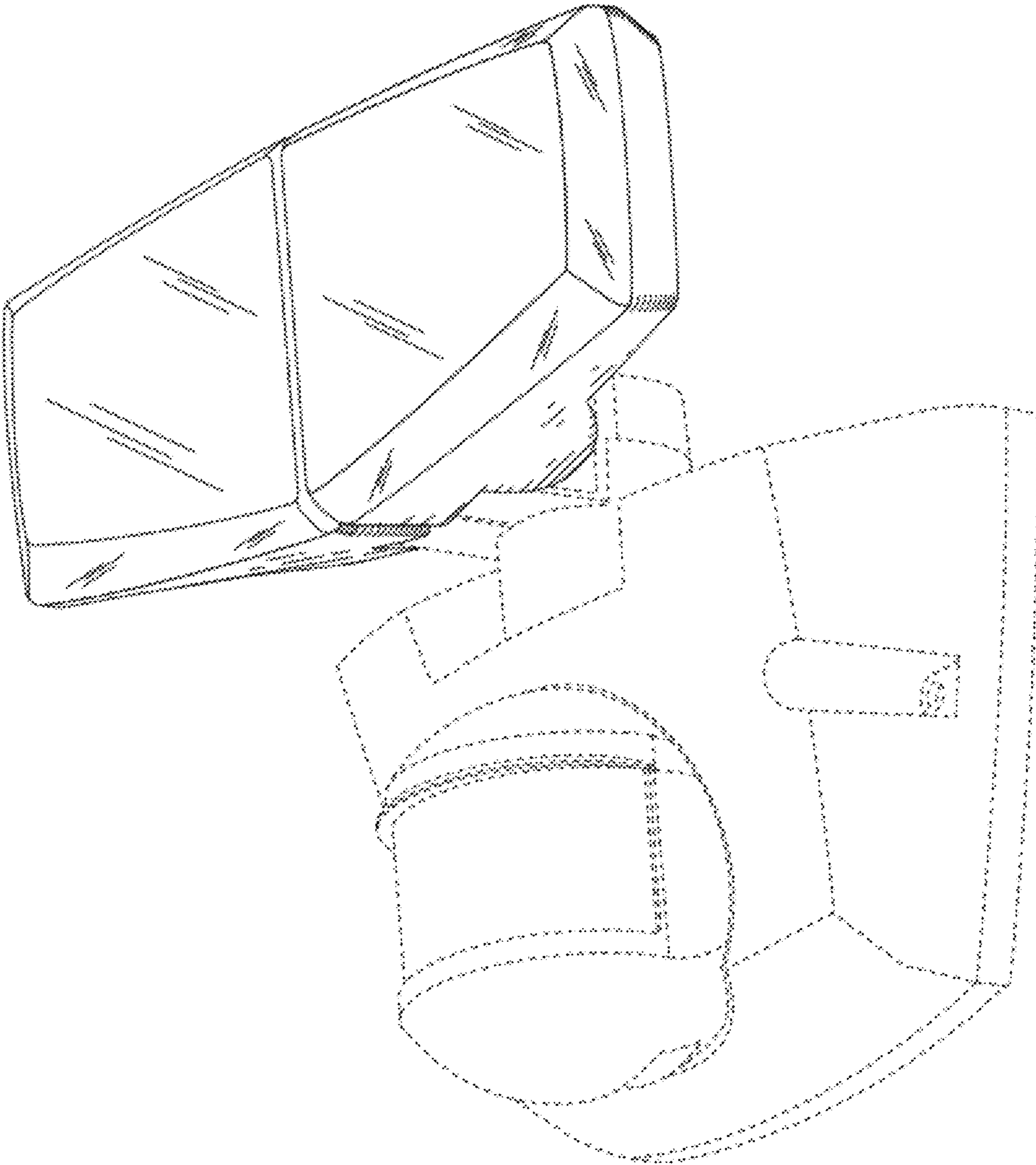


FIG. 1

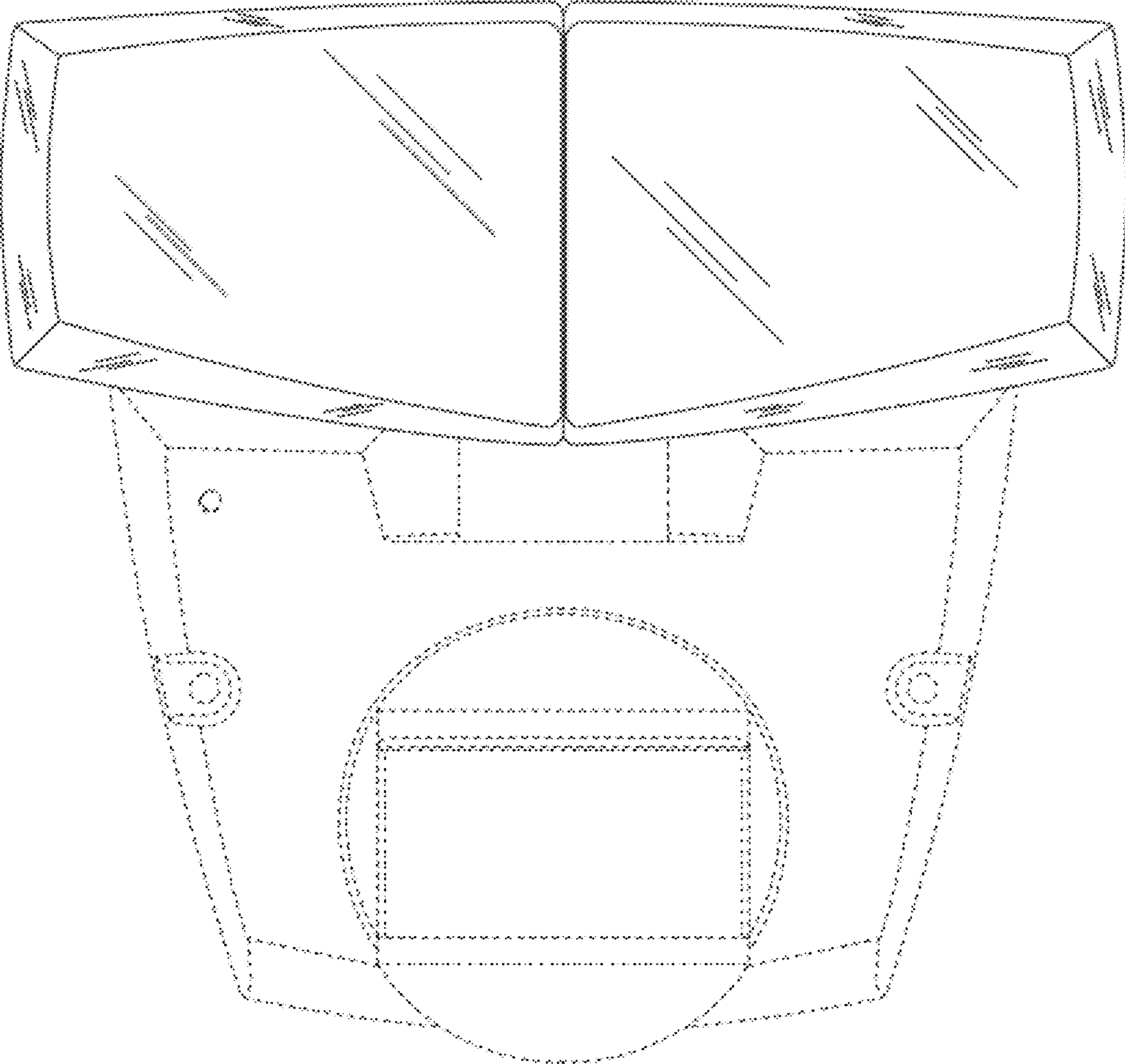


FIG. 2

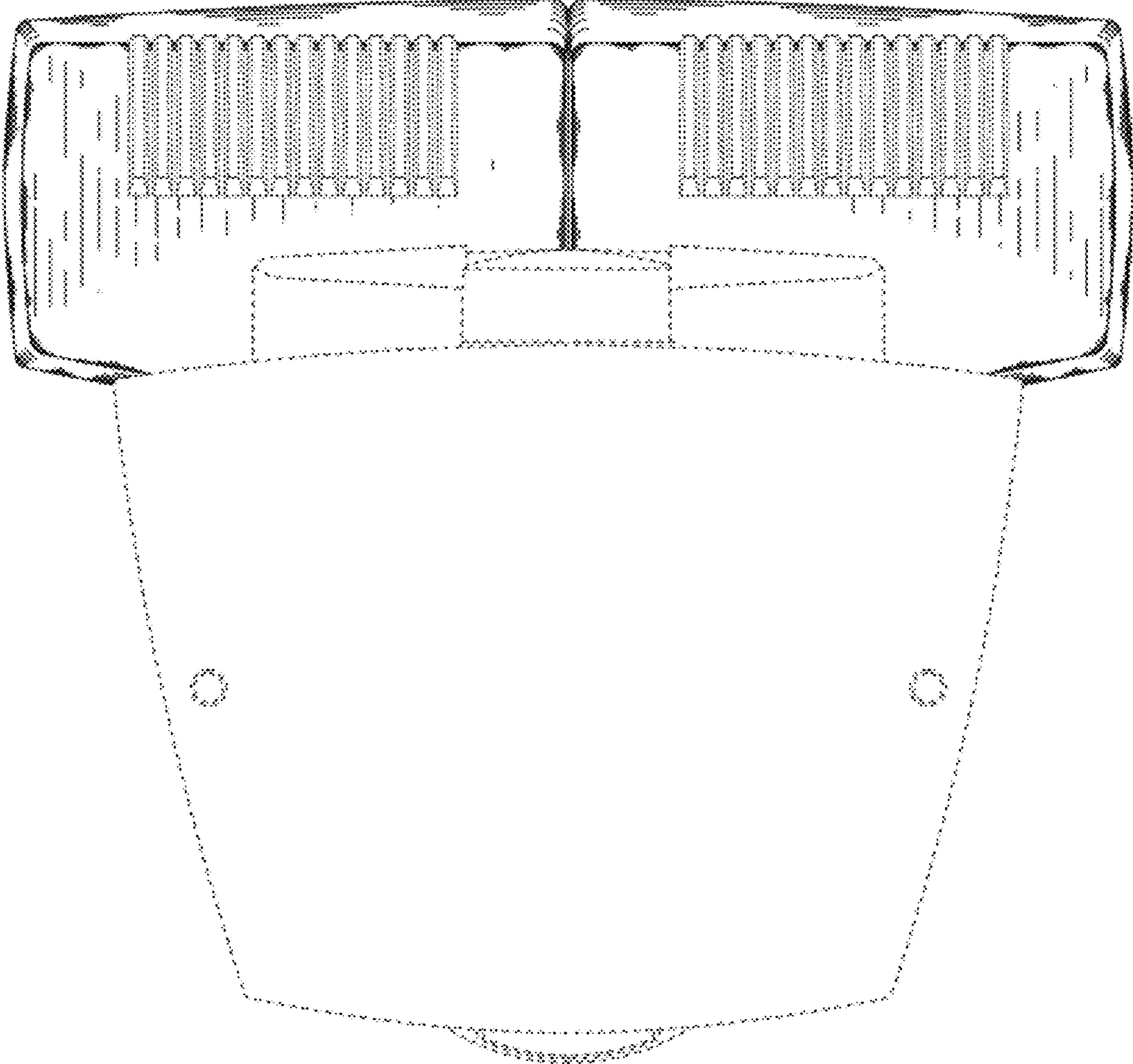


FIG. 3

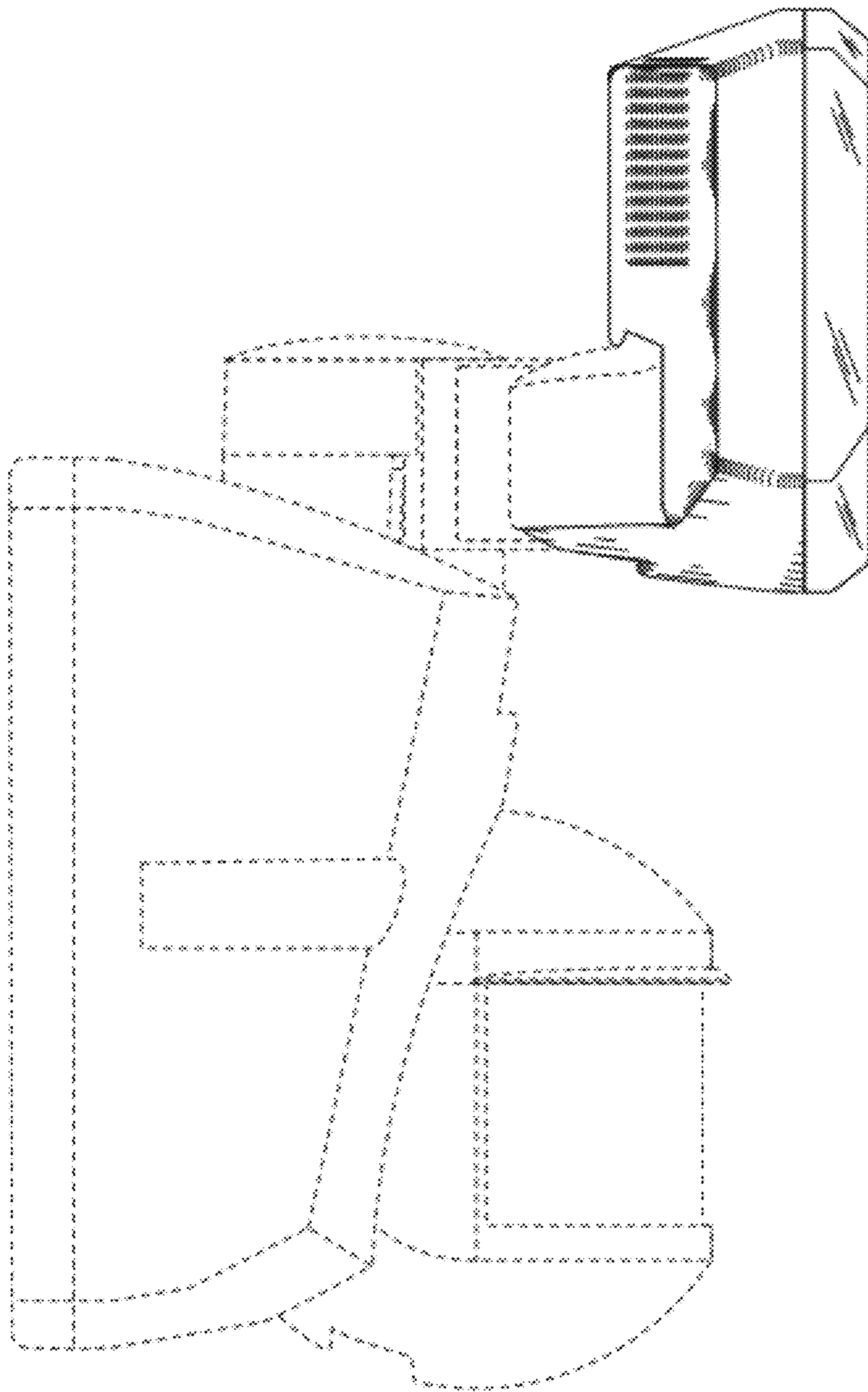


FIG. 4

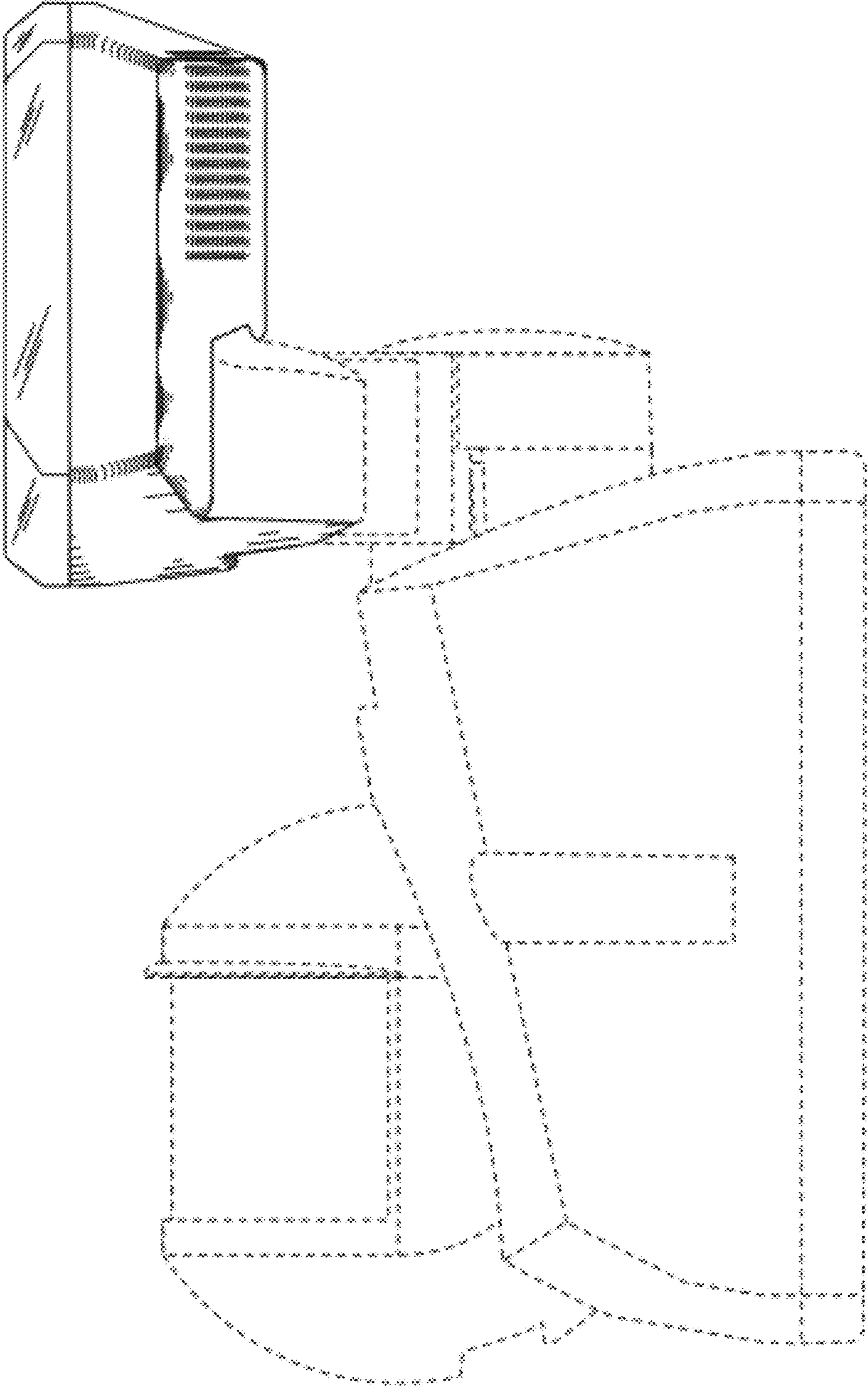


FIG. 5

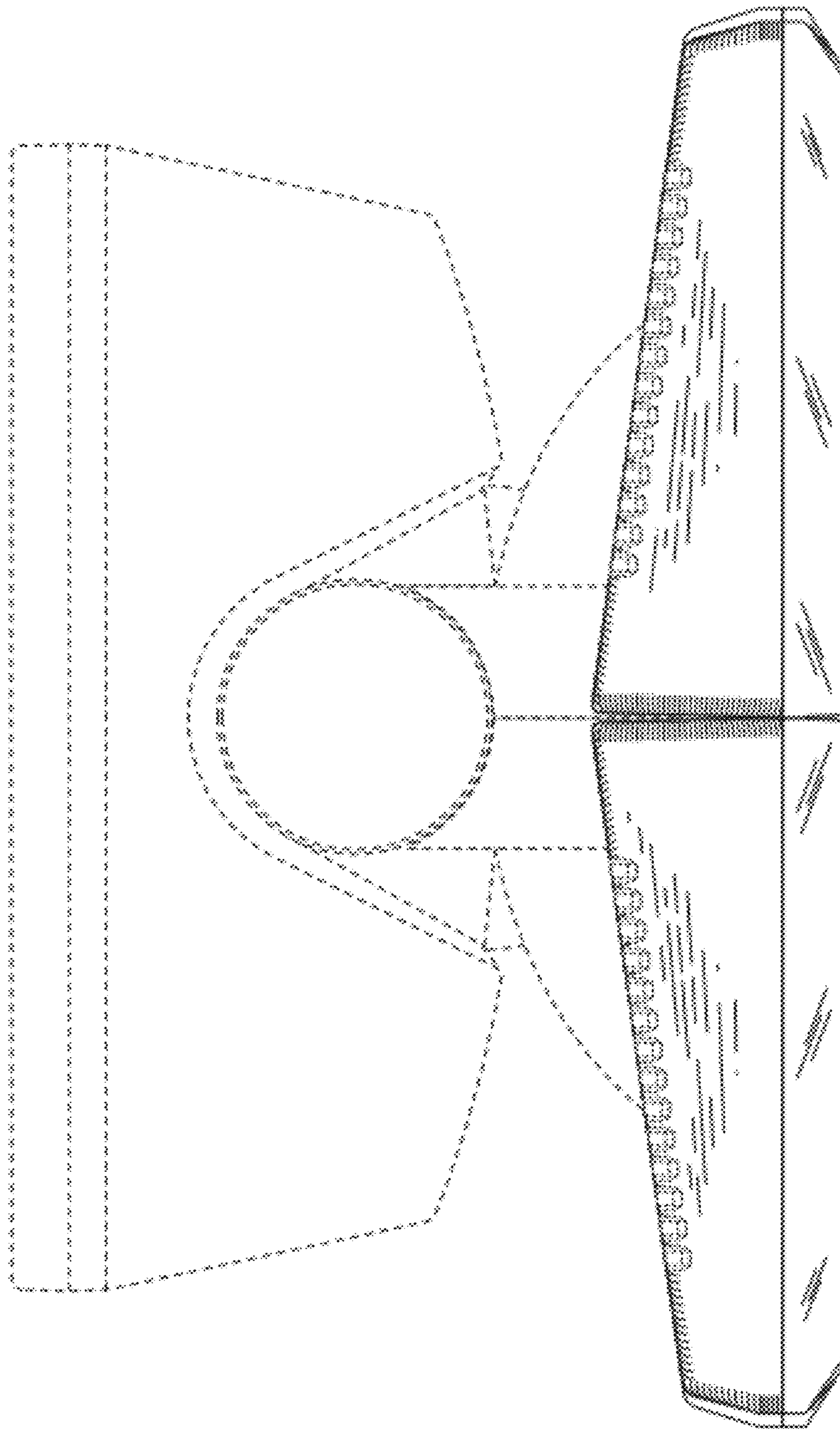


FIG. 6

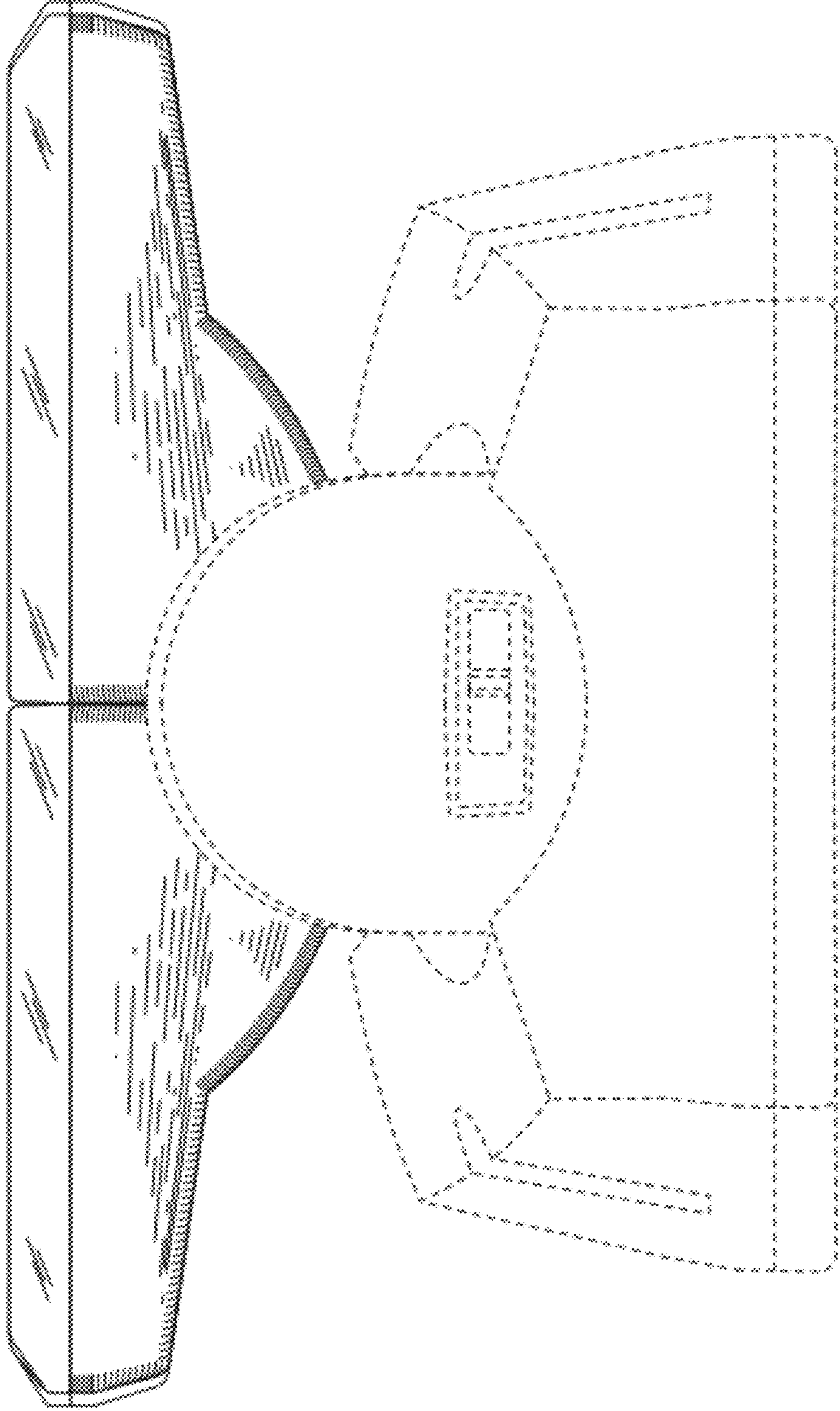


FIG. 7

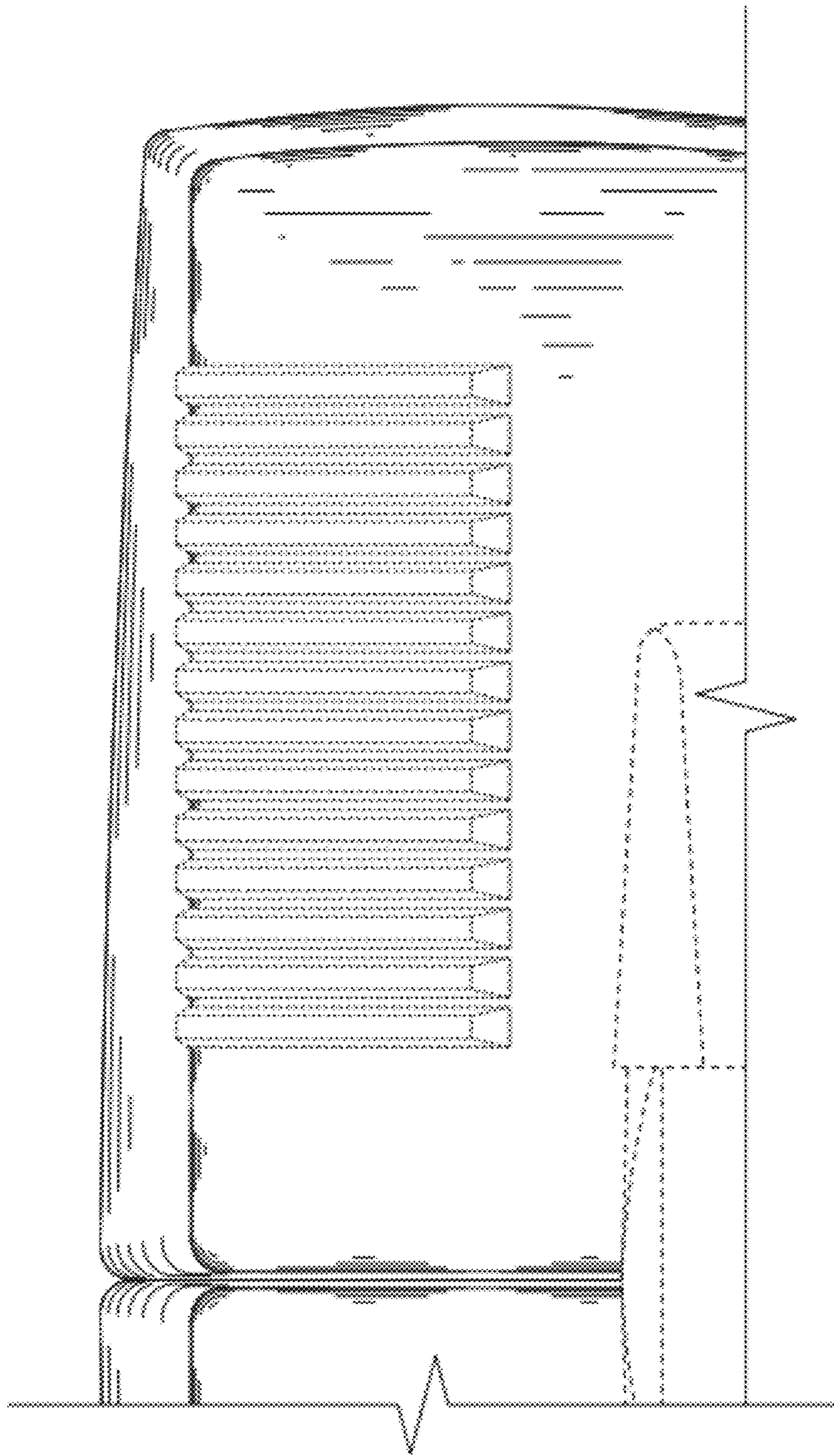


FIG. 8