

US00D670022S

(12) **United States Design Patent**  
**Green**

(10) **Patent No.:** **US D670,022 S**

(45) **Date of Patent:** **\*\* Oct. 30, 2012**

(54) **LUMINAIRE**

(75) **Inventor:** **Adam Russell Green**, Atlanta, GA (US)

(73) **Assignee:** **Cooper Technologies Company**,  
Houston, TX (US)

(\*\*) **Term:** **14 Years**

(21) **Appl. No.:** **29/415,800**

(22) **Filed:** **Mar. 14, 2012**

(51) **LOC (9) Cl.** ..... **26-99**

(52) **U.S. Cl.** ..... **D26/128**

(58) **Field of Classification Search** ..... D26/155,  
D26/60, 152, 154, 74, 75, 76, 77, 78, 113,  
D26/118, 119, 120, 121, 122, 128, 138, 125,  
D26/124, 126, 127, 85, 86, 88, 89, 90, 91,  
D26/65, 64, 67, 68, 1, 2, 24, 141, 142, 145,  
D26/144, 92, 93, 62, 63, 51, 56, 55, 58, 104,  
D26/139, 140, 3; 362/101, 225, 634, 246,  
362/326, 249.01-249.11, 220, 221, 224,  
362/222, 223, 275, 276, 277, 271, 162, 450,  
362/236; 211/10; 439/94, 95, 115, 110;  
D8/380, 396, 394, 72, 354, 349, 373; D6/310,  
D6/314, 470; D23/411; D11/90, 89, 132;  
D19/96, 90, 77, 78, 75; D13/179, 180, 155  
See application file for complete search history.

D310,268 S 8/1990 Shalvi  
D321,947 S \* 11/1991 Rudd et al. .... D26/35  
D324,432 S 3/1992 Frost  
D336,756 S \* 6/1993 Meisner et al. .... D26/65  
D347,485 S 5/1994 Kira  
5,319,530 A \* 6/1994 Kreutzer et al. .... 362/546  
D348,944 S 7/1994 Shalvi  
D353,474 S \* 12/1994 Shyan ..... D26/63  
D366,712 S 1/1996 Hanson et al.  
D386,802 S \* 11/1997 Kim ..... D26/51  
D390,980 S \* 2/1998 Yamamoto ..... D26/28  
D407,168 S \* 3/1999 Arakelian ..... D26/28  
D430,684 S \* 9/2000 Yamamoto ..... D26/28  
D434,515 S \* 11/2000 McNamara ..... D26/63  
D453,227 S \* 1/2002 Lin ..... D26/63  
D479,015 S \* 8/2003 Tang ..... D26/63  
D483,511 S \* 12/2003 Lay et al. .... D26/80  
D488,105 S \* 4/2004 Stahel et al. .... D12/114  
D494,697 S \* 8/2004 Leen ..... D26/63  
D499,823 S \* 12/2004 Reiss et al. .... D26/28  
D501,947 S 2/2005 Haugaard et al.  
D507,373 S 7/2005 Kim  
D531,342 S 10/2006 Kauffman et al.

(Continued)

*Primary Examiner* — Kevin Rudzinski

(74) *Attorney, Agent, or Firm* — King & Spalding

(57) **CLAIM**

The ornamental design for a luminaire, as shown and described.

**DESCRIPTION**

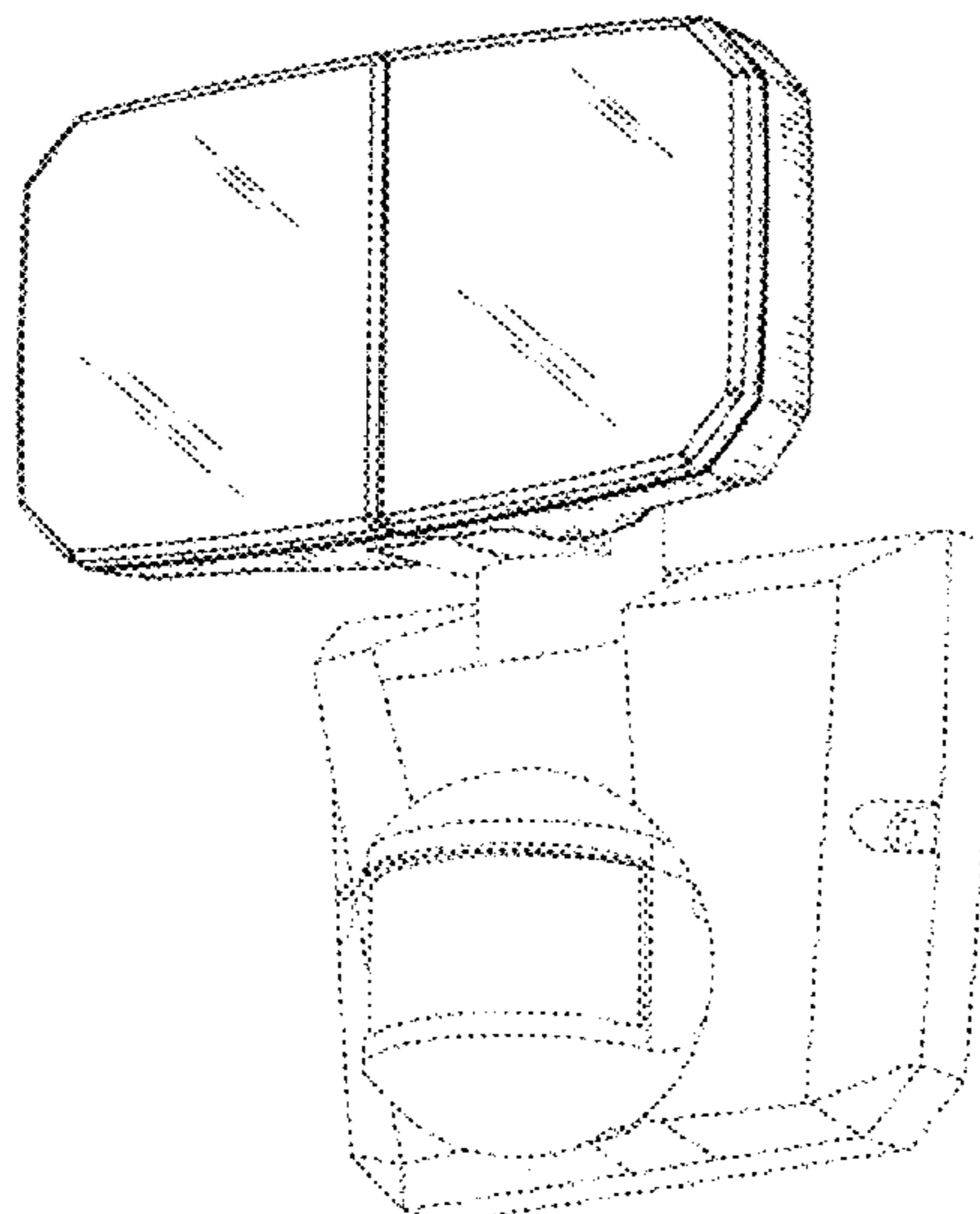
FIG. 1 is a perspective view of a new ornamental design for a luminaire;  
FIG. 2 is a front elevation front view thereof;  
FIG. 3 is a rear elevation view thereof;  
FIG. 4 is a left-side elevation view thereof;  
FIG. 5 is a right-side elevation view thereof;  
FIG. 6 is a top plan view thereof; and,  
FIG. 7 is a bottom plan view thereof.  
The broken lines shown represent unclaimed subject matter and form no part of the claimed design.

**1 Claim, 5 Drawing Sheets**

(56) **References Cited**

**U.S. PATENT DOCUMENTS**

D196,669 S 10/1963 Lasker  
D203,865 S \* 2/1966 Cooper ..... D26/63  
D204,302 S 4/1966 Pauli  
D212,722 S \* 11/1968 Kahn ..... D10/114.1  
D221,351 S \* 8/1971 Remington ..... D26/86  
D246,131 S \* 10/1977 Schifrin ..... D26/28  
D250,912 S \* 1/1979 Tixier ..... D26/28  
D269,210 S \* 5/1983 Cutlip et al. .... D26/28  
4,509,106 A \* 4/1985 Mayer et al. .... 362/267  
D300,864 S \* 4/1989 Titmarsh ..... D26/24  
4,858,082 A \* 8/1989 Hayward ..... 362/542



# US D670,022 S

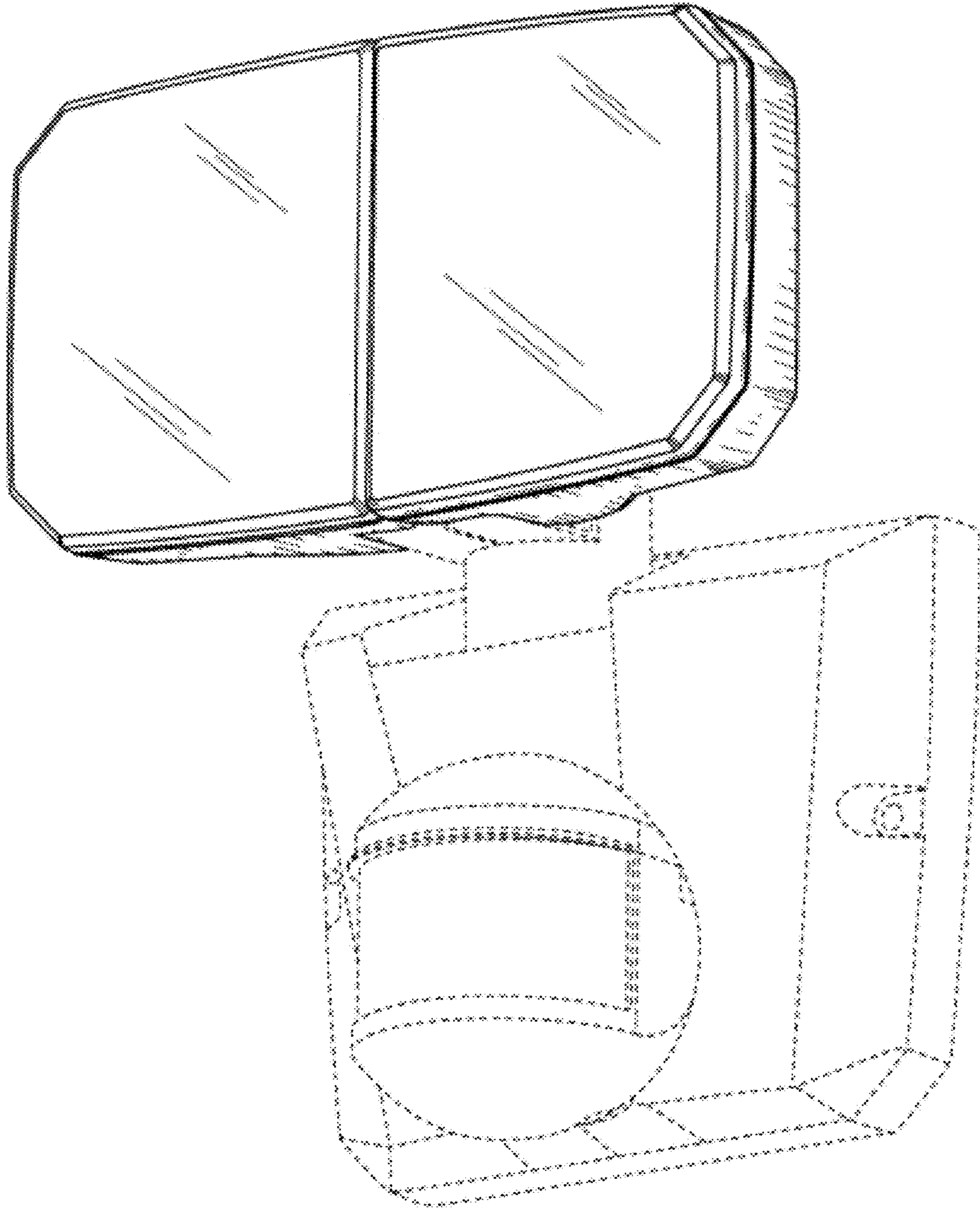
Page 2

---

## U.S. PATENT DOCUMENTS

D532,918 S	11/2006	Lay et al.	
D552,778 S *	10/2007	Butler .....	D26/63
D583,088 S	12/2008	Leung et al.	
D589,836 S *	4/2009	Pokorny .....	D10/114.1
D603,080 S *	10/2009	Benensohn .....	D26/80
D607,135 S *	12/2009	Levine et al. ....	D26/80
D610,931 S *	3/2010	Lyons .....	D10/114.1
D624,682 S *	9/2010	Ying et al. ....	D26/63
D625,453 S	10/2010	Morton et al.	
D636,515 S	4/2011	Wang	
D649,675 S *	11/2011	Sabernig .....	D26/84

\* cited by examiner



**FIG. 1**

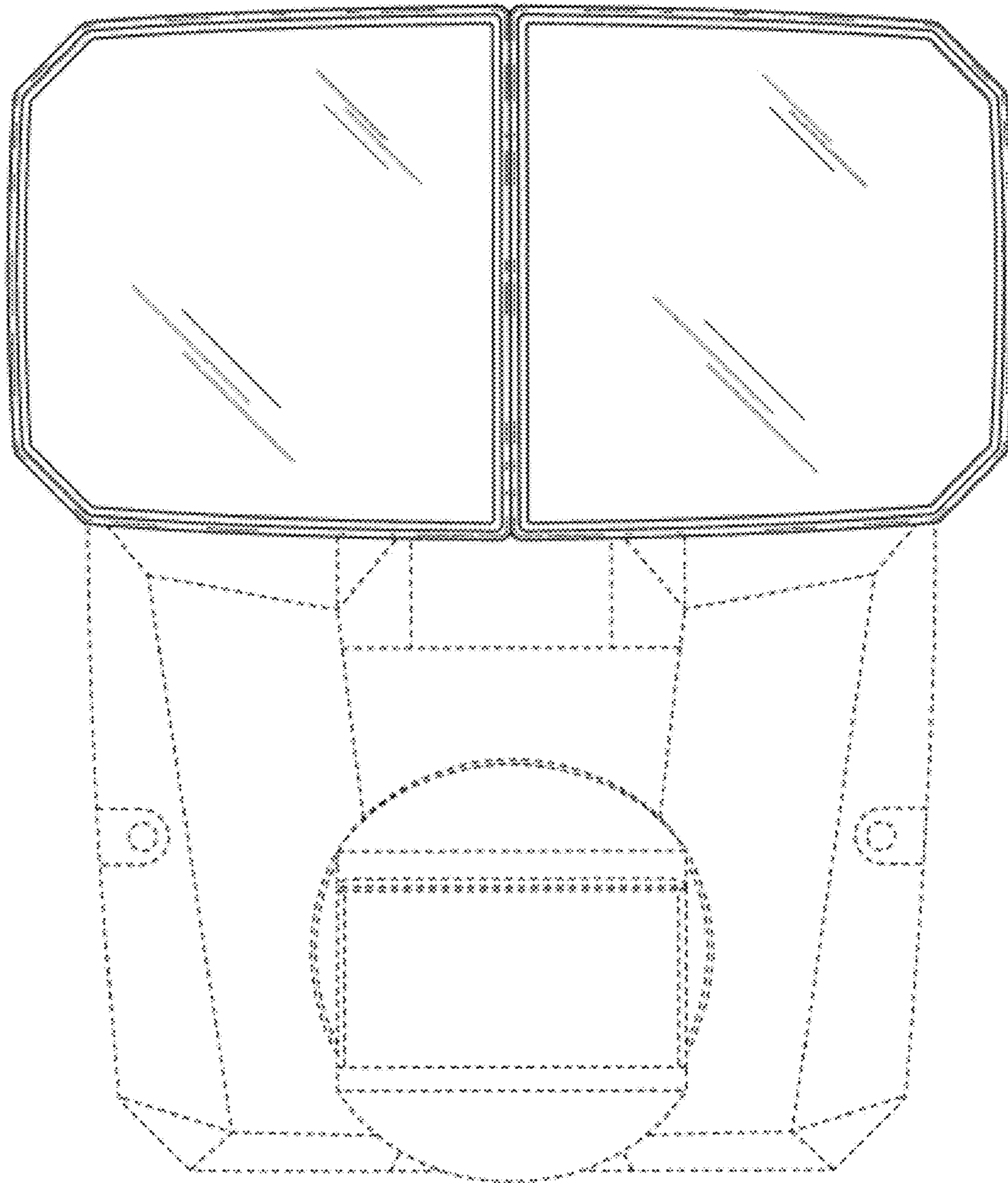
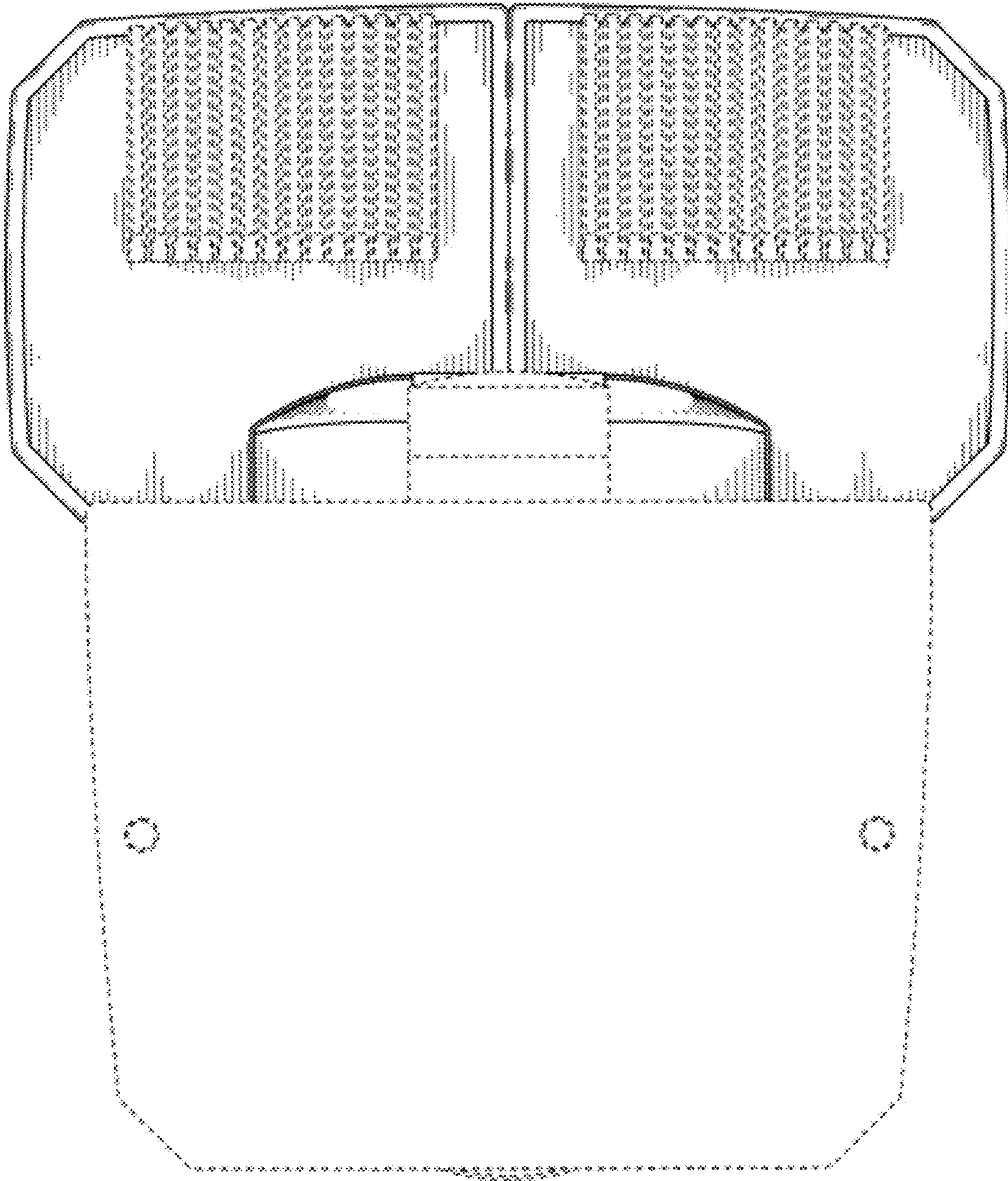
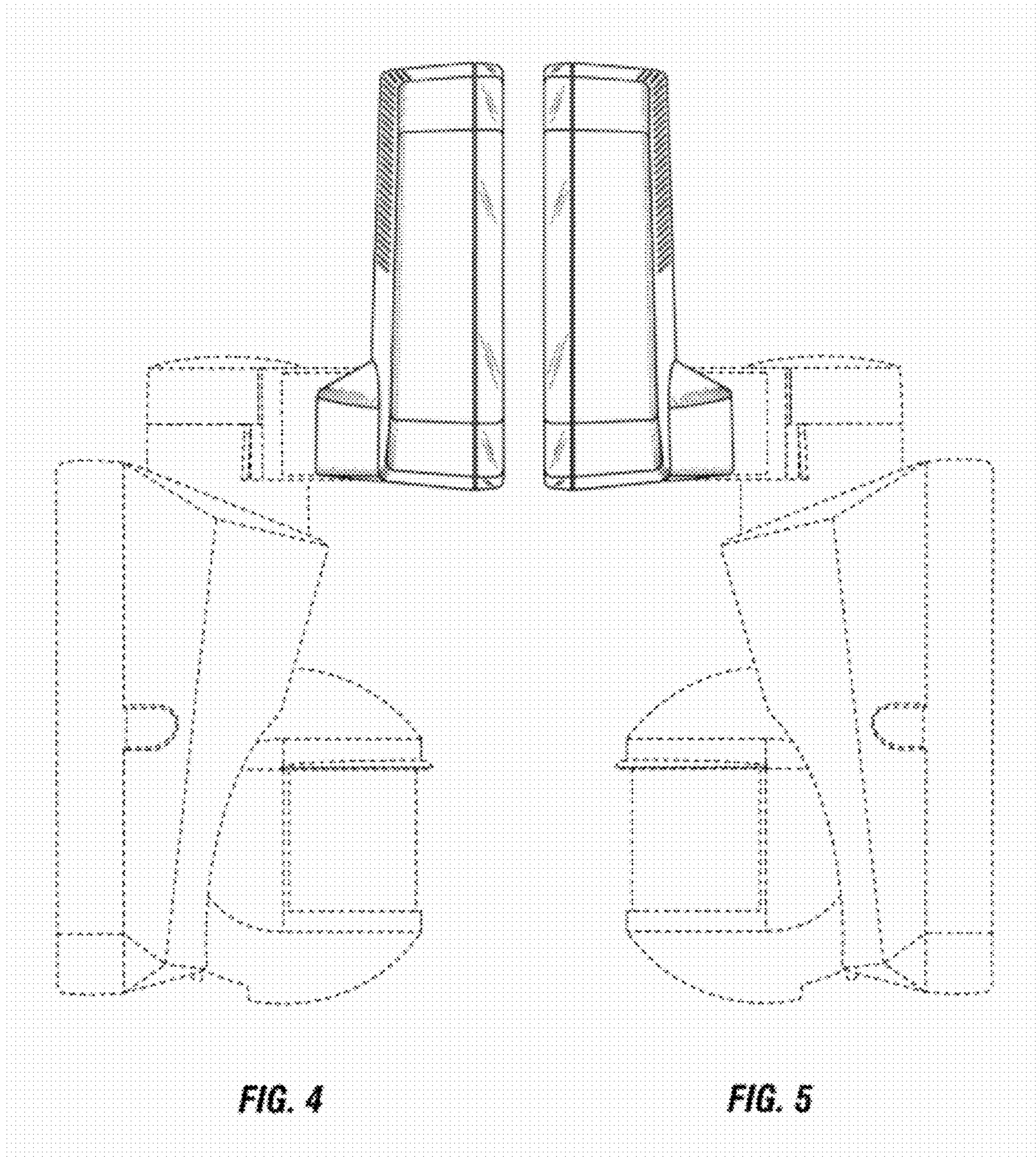


FIG. 2

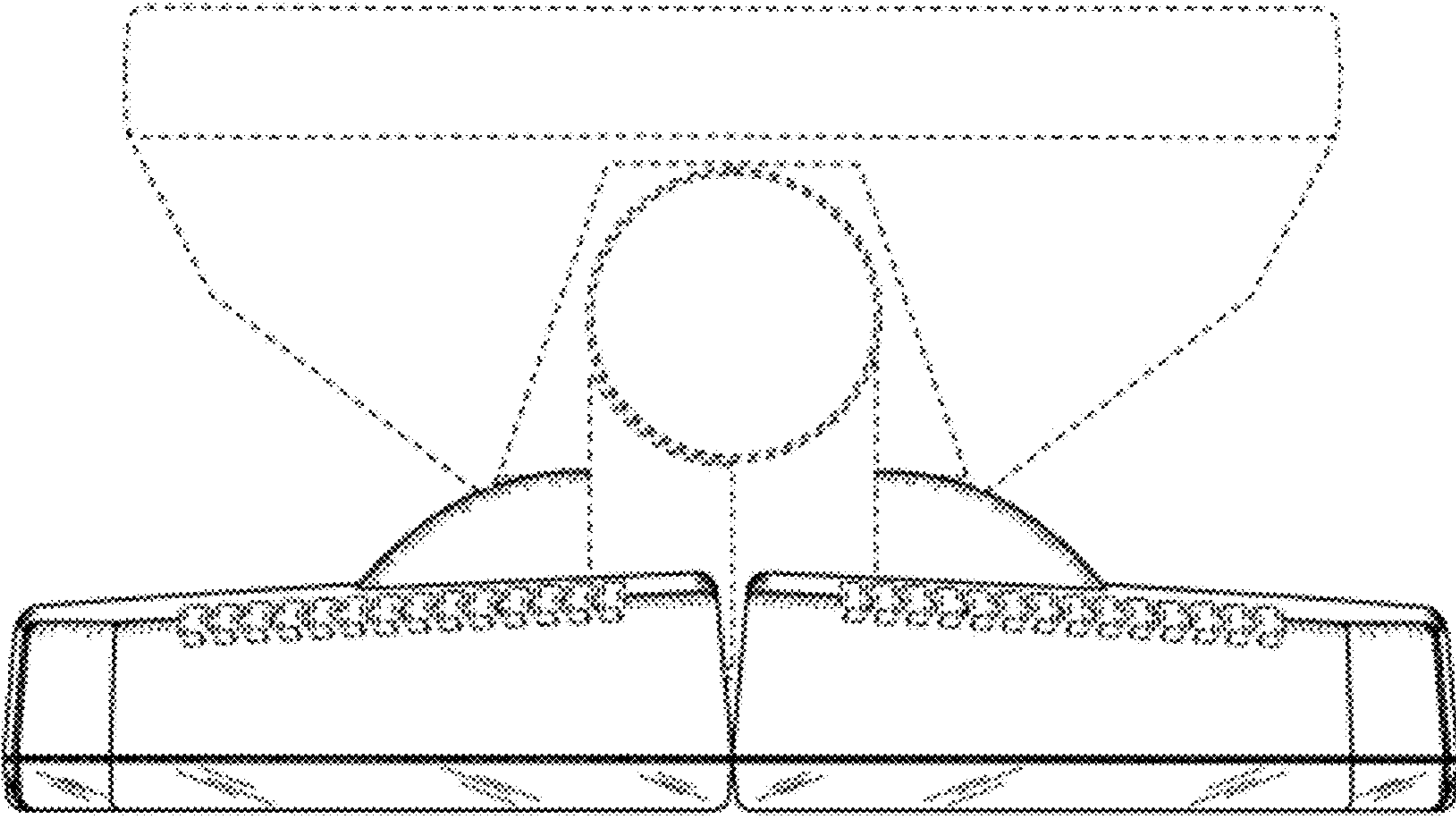


**FIG. 3**

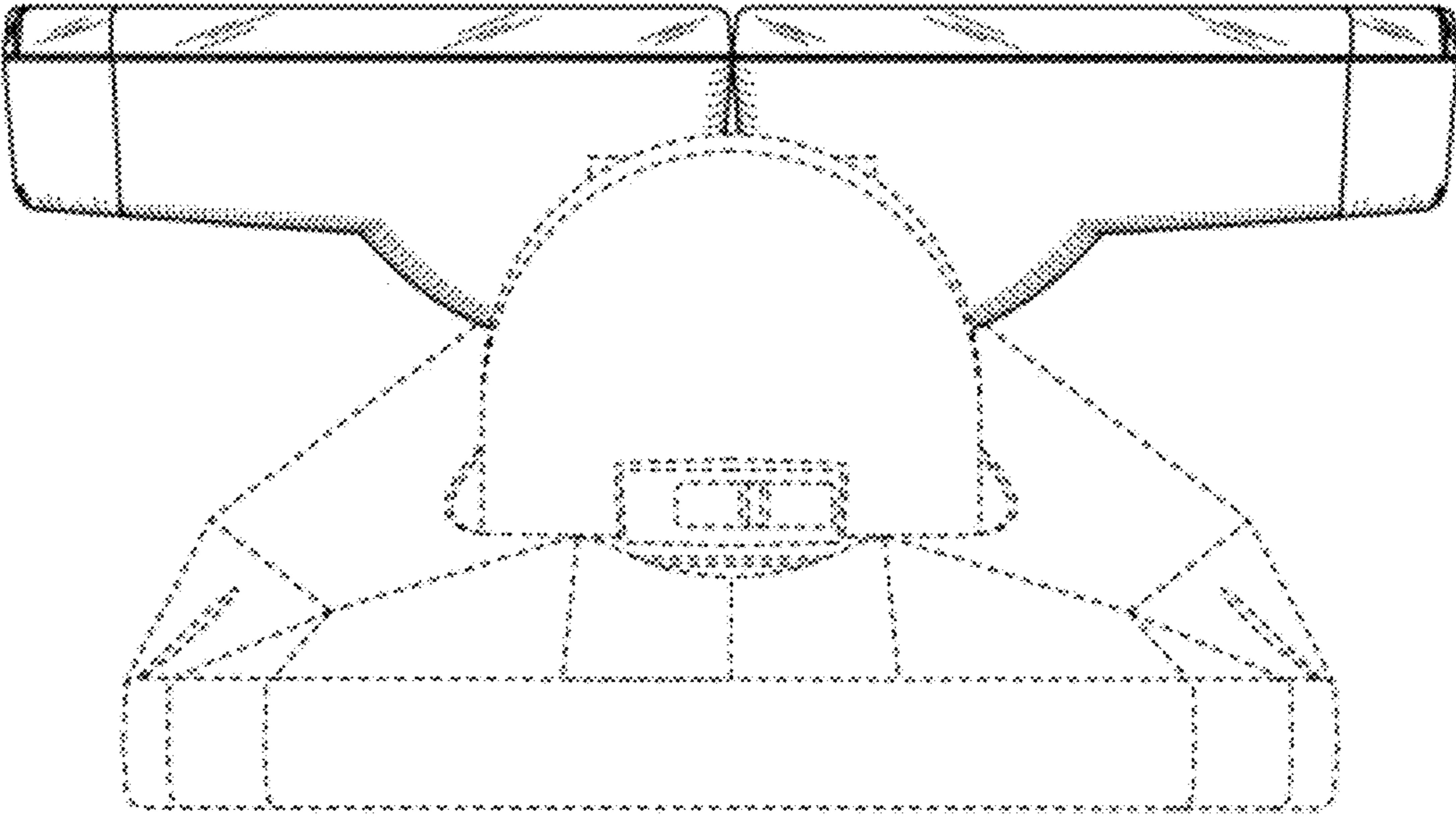


**FIG. 4**

**FIG. 5**



**FIG. 6**



**FIG. 7**