



US00D670021S

(12) **United States Design Patent**  
**Ahrari et al.**

(10) **Patent No.:** **US D670,021 S**

(45) **Date of Patent:** **\*\* Oct. 30, 2012**

(54) **LOW PROFILE LUMINAIRE**

(75) Inventors: **Armin Ahrari**, Glendale, CA (US);  
**Robert R. Nankil**, Buena Park, CA (US)

(73) Assignee: **Hubbell Incorporated**, Shelton, CT  
(US)

(\*\*) Term: **14 Years**

(21) Appl. No.: **29/411,731**

(22) Filed: **Jan. 25, 2012**

(51) **LOC (9) Cl.** ..... **26-03**

(52) **U.S. Cl.** ..... **D26/92**

(58) **Field of Classification Search** ..... D26/71-92;  
362/249.01-249.06, 294, 373, 431  
See application file for complete search history.

(56) **References Cited**

U.S. PATENT DOCUMENTS

D204,302 S	4/1966	Pauli
D205,624 S	8/1966	Pritchett
3,358,133 A	12/1967	Hoxie et al.
3,387,866 A	6/1968	Baldwin
3,654,453 A	4/1972	Jablonski
4,028,541 A	6/1977	Franklin
D264,135 S	4/1982	Zwillich et al.
4,639,843 A	1/1987	Compton
D323,897 S	2/1992	Compton
D329,104 S	9/1992	Dieperink
D358,902 S	5/1995	Webster
D381,106 S	7/1997	Brohard et al.
D388,212 S	12/1997	Brohard et al.
D391,659 S	3/1998	Gaskins et al.
5,896,288 A	4/1999	Lecheler et al.
D437,958 S	2/2001	Doron, Jr. et al.
D439,695 S	3/2001	Compton et al.

D442,313 S	5/2001	Wojtkowiak et al.
D447,590 S	9/2001	Raouf et al.
D456,926 S	5/2002	Gaskins et al.
6,419,378 B1	7/2002	Wedell et al.
D465,050 S	10/2002	Crelin
D492,441 S	6/2004	Bradford et al.
D500,569 S	1/2005	Butler
D501,057 S	1/2005	Haugaard et al.
D501,946 S	2/2005	Haugaard et al.

(Continued)

OTHER PUBLICATIONS

Genesis Area Lighting System, Beacon Products, 2010.

*Primary Examiner* — Clare E Heflin

(74) *Attorney, Agent, or Firm* — Garrett V. Davis; Mark S. Bicks; Alfred N. Goodman

(57) **CLAIM**

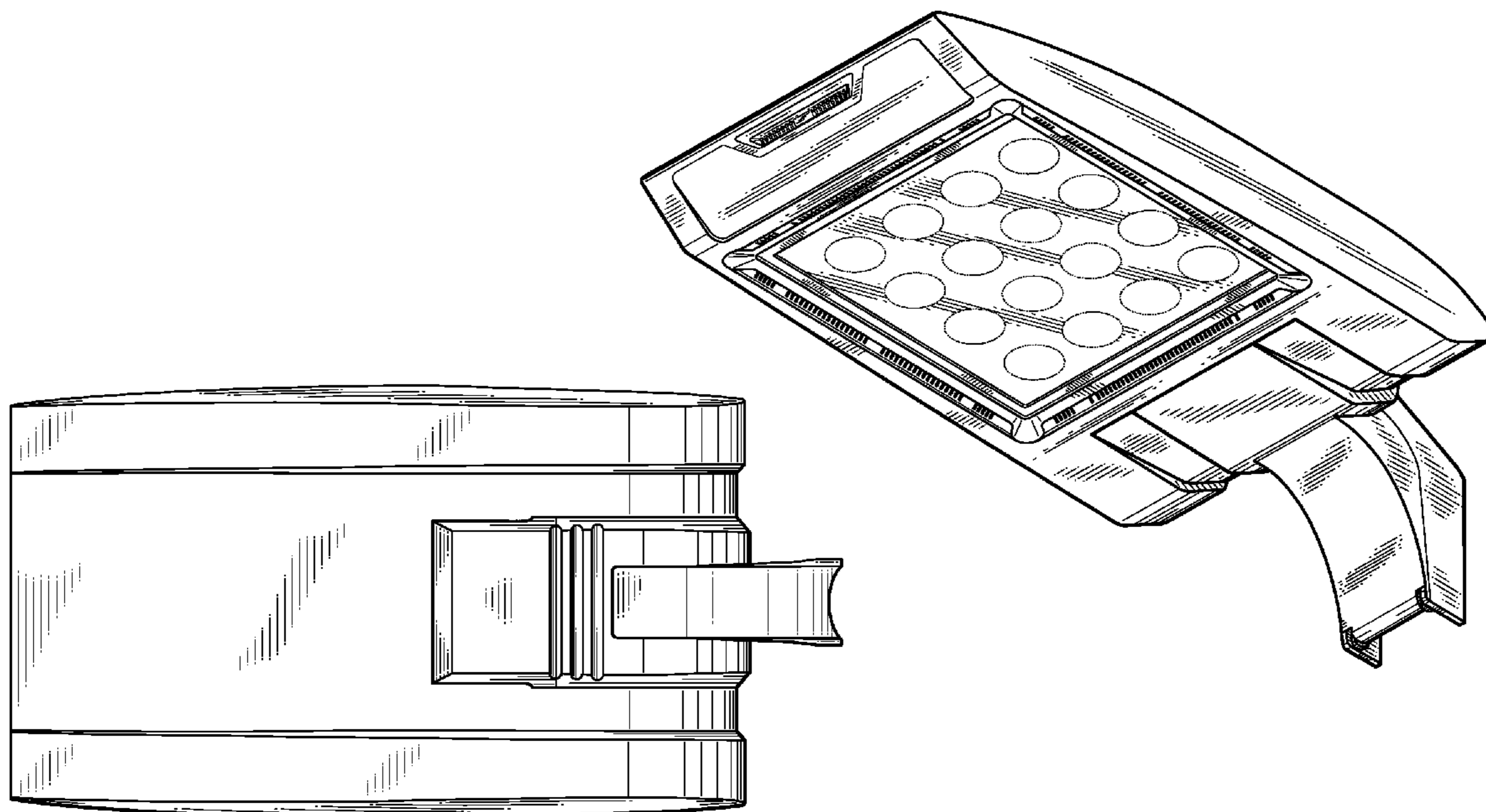
The ornamental design for a low profile luminaire, as shown and described.

**DESCRIPTION**

FIG. 1 is a top view of the low profile luminaire in a first embodiment of the invention;  
FIG. 2 is a top perspective view of the luminaire of FIG. 1;  
FIG. 3 is a front view of the luminaire of FIG. 1;  
FIG. 4 is a rear view of the luminaire of FIG. 1;  
FIG. 5 is a right side view of the luminaire of FIG. 1 where the left side view is a mirror image thereof;  
FIG. 6 is a bottom view of the luminaire of FIG. 1; and,  
FIG. 7 is a bottom perspective view of the luminaire of FIG. 1.

The broken lines shown on the drawings depict portions of the low profile luminaire that form no part of the claimed design.

**1 Claim, 2 Drawing Sheets**



# US D670,021 S

Page 2

## U.S. PATENT DOCUMENTS

D501,947 S	2/2005	Haugaard et al.	
D502,283 S	2/2005	Haugaard et al.	
D527,134 S	8/2006	Bagen	
D531,342 S	10/2006	Kauffman et al.	
D556,357 S	11/2007	Butler et al.	
D556,935 S	12/2007	Quioque et al.	
D568,521 S	5/2008	Compton	
D572,403 S	7/2008	Walker	
D576,330 S *	9/2008	Ruud et al. ....	D26/71
D576,332 S *	9/2008	Ruud et al. ....	D26/72
D595,447 S *	6/2009	Purcell .....	D26/85
D609,387 S	2/2010	Compton	
D612,090 S	3/2010	Yu	
D622,888 S *	8/2010	Chakravarty et al. ....	D26/71
7,841,755 B1	11/2010	Walker	
D632,001 S *	2/2011	Kong et al. ....	D26/71
D632,819 S *	2/2011	Kong et al. ....	D26/71
D636,107 S	4/2011	Compton	
D640,822 S	6/2011	Wildner	
D642,724 S *	8/2011	Galipeau et al. ....	D26/71
D645,190 S *	9/2011	Van Klinken et al. ....	D26/71
D648,887 S *	11/2011	Kong et al. ....	D26/71
D652,557 S *	1/2012	Boissevain et al. ....	D26/71
D652,978 S *	1/2012	Boissevain et al. ....	D26/71
D653,382 S	1/2012	Sekowski et al.	
D657,485 S *	4/2012	Kong et al. ....	D26/71

\* cited by examiner

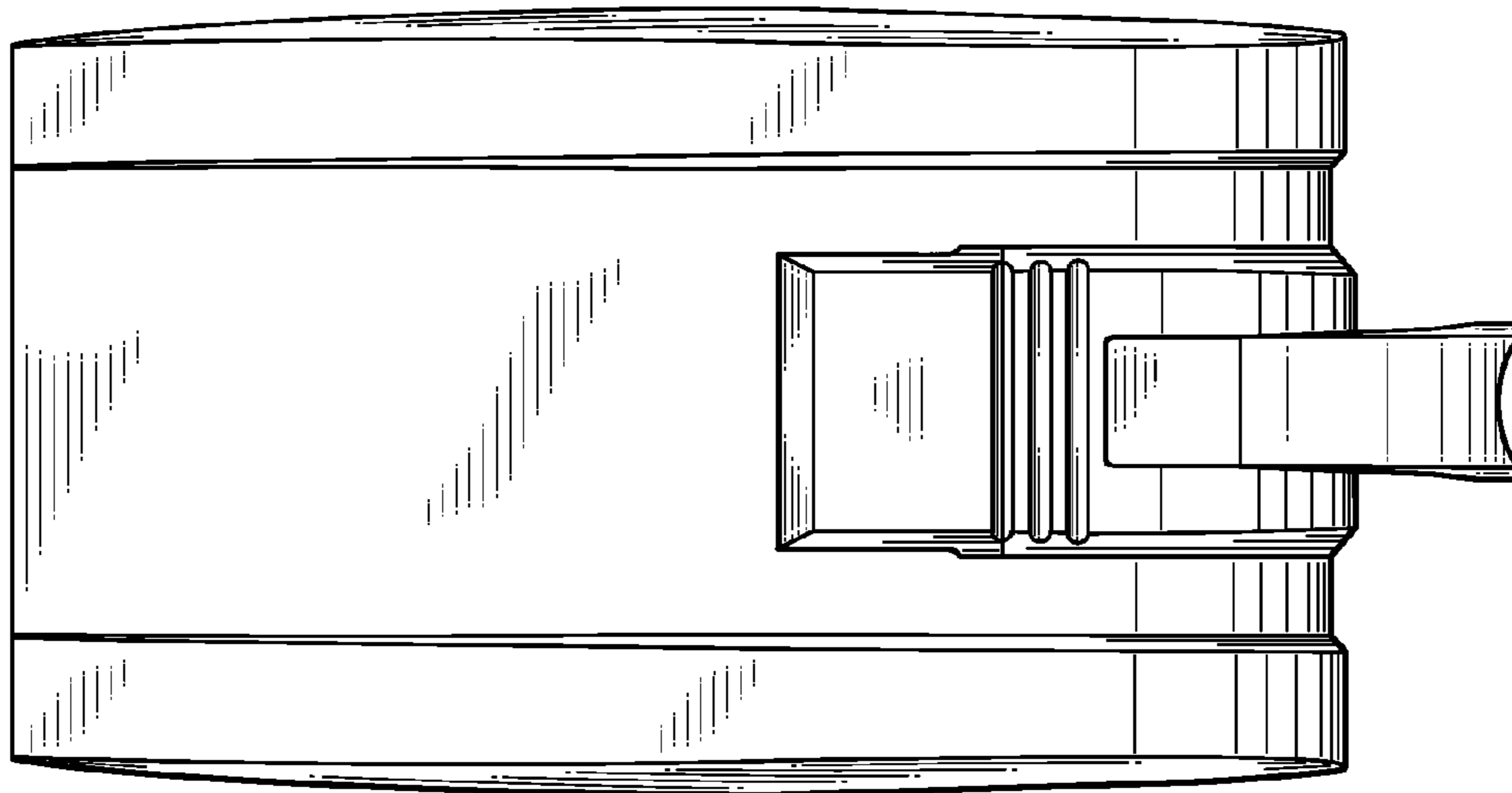


FIG. 1

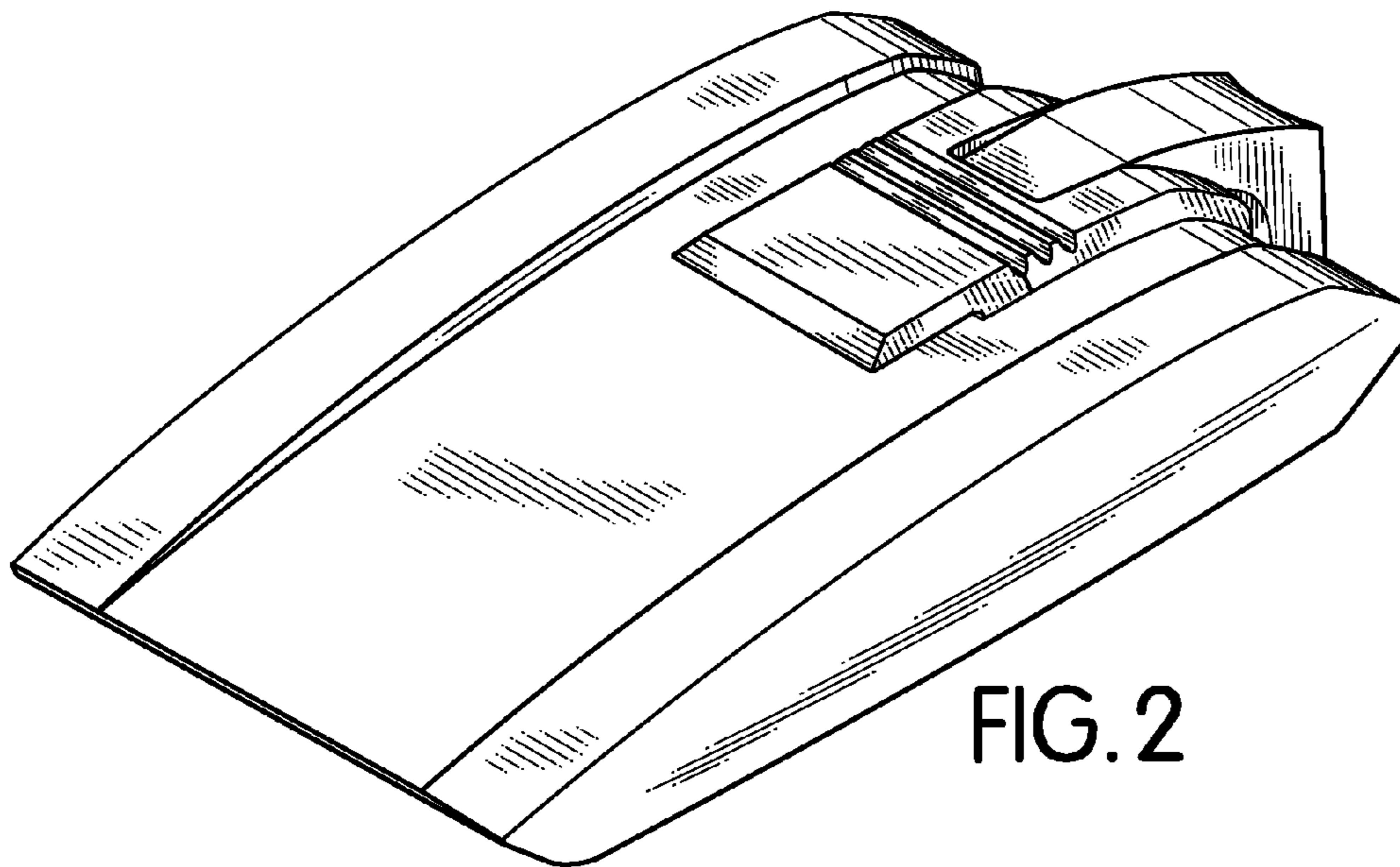


FIG. 2

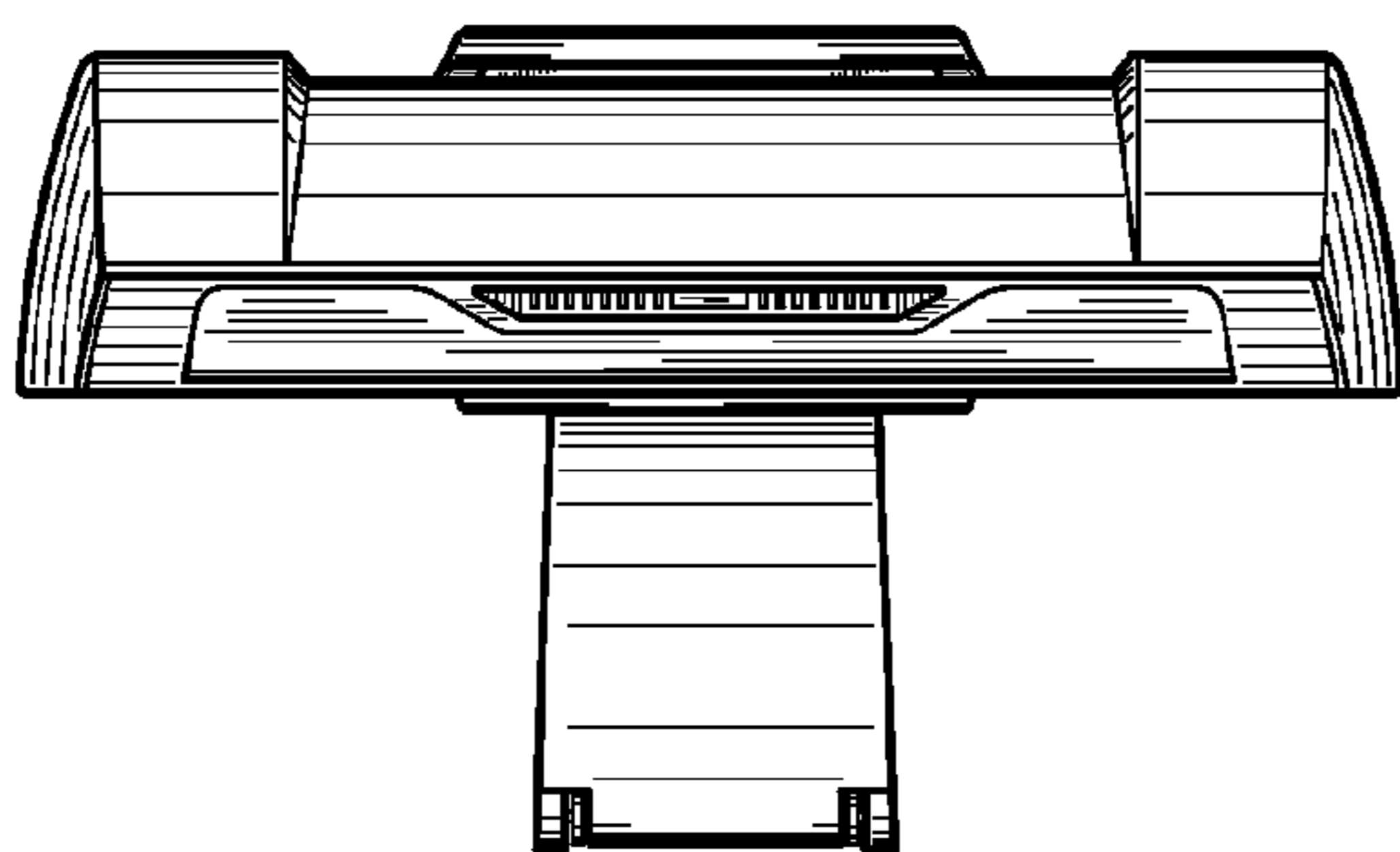


FIG. 3

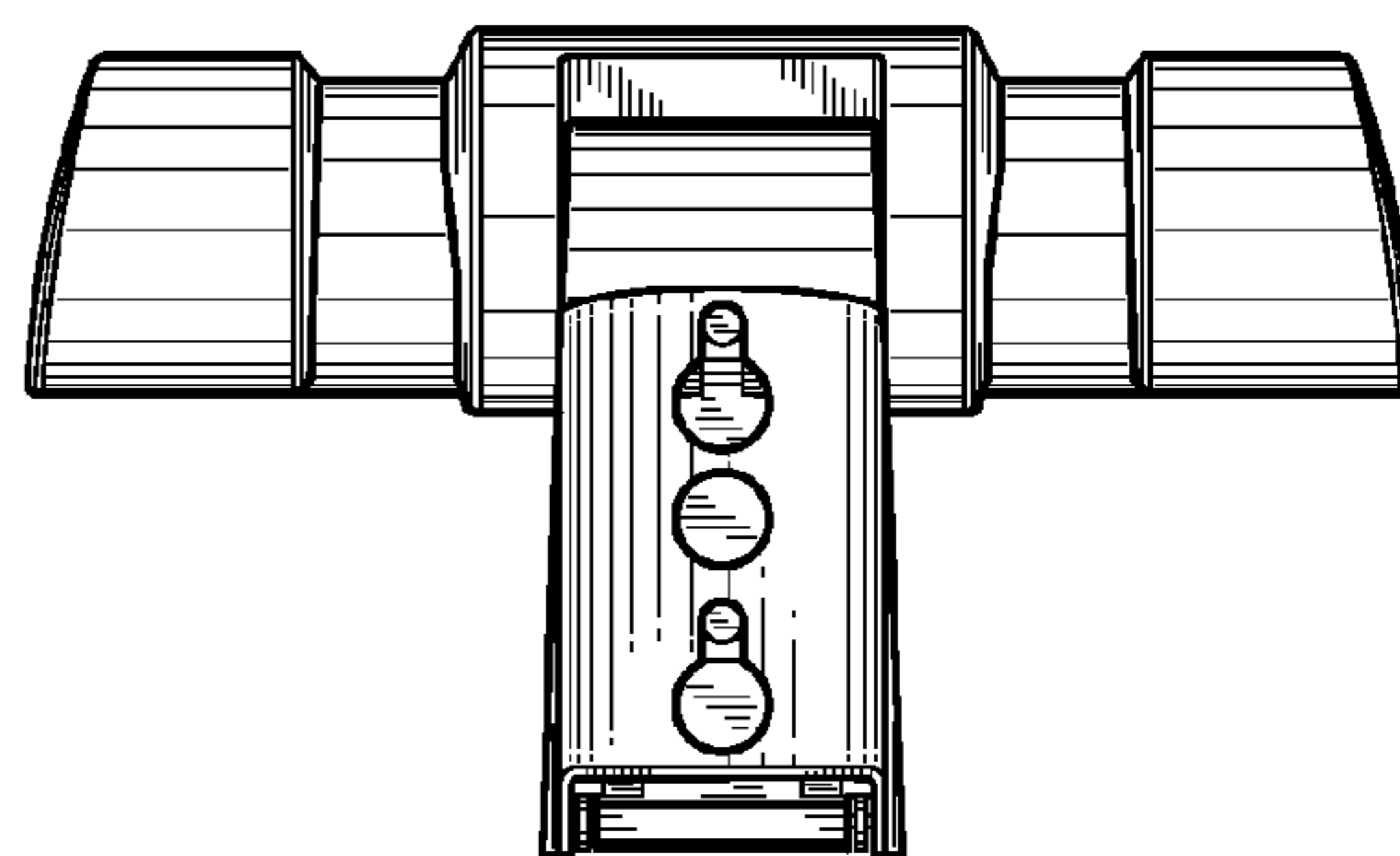


FIG. 4

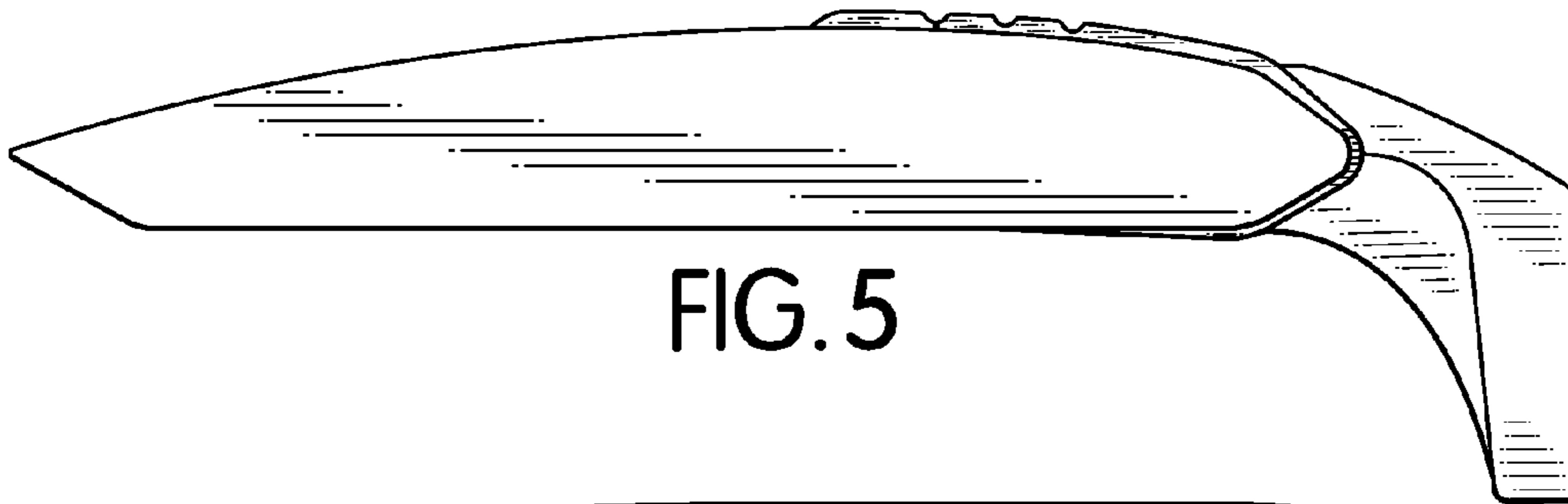


FIG. 5

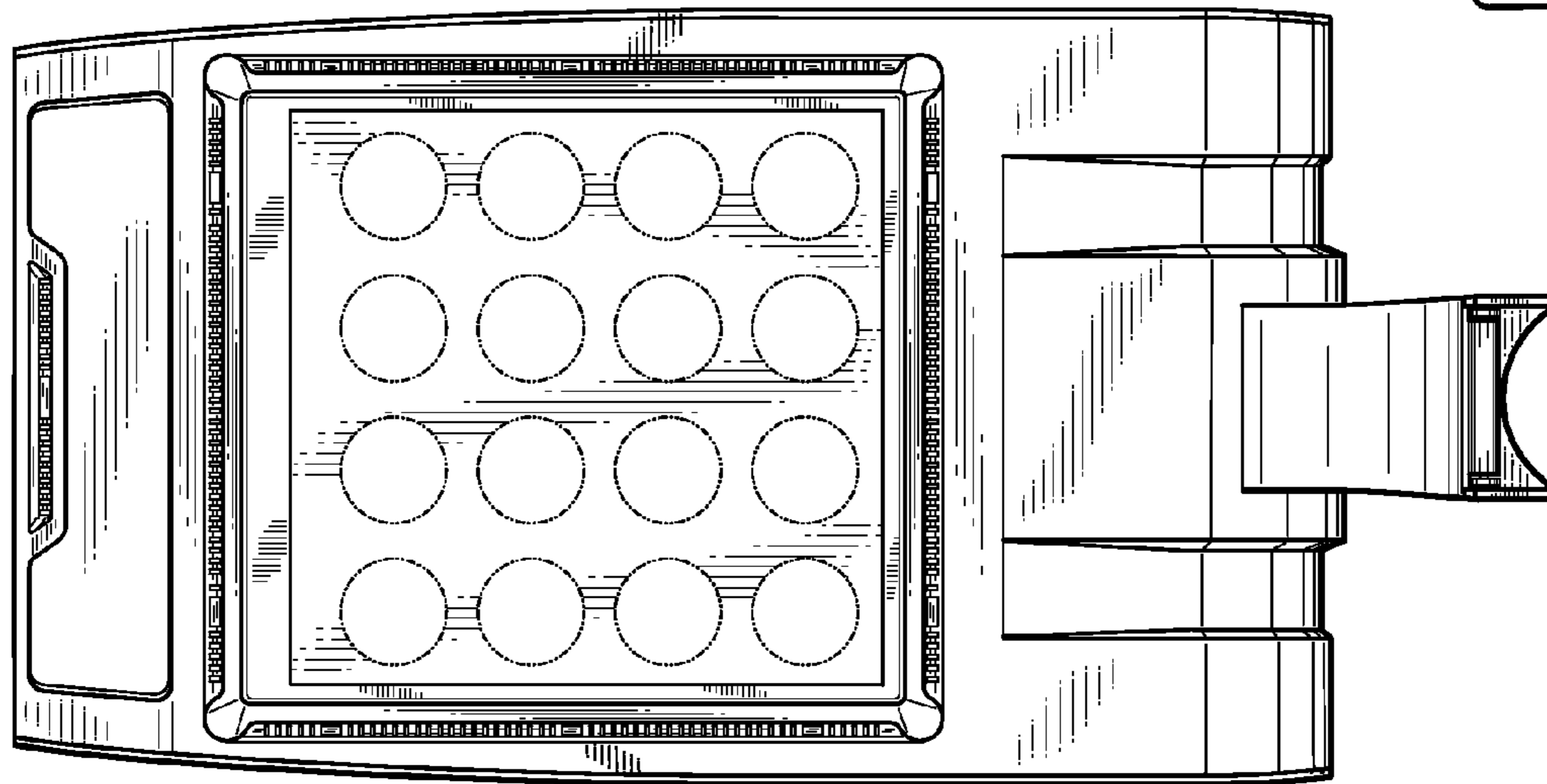


FIG. 6

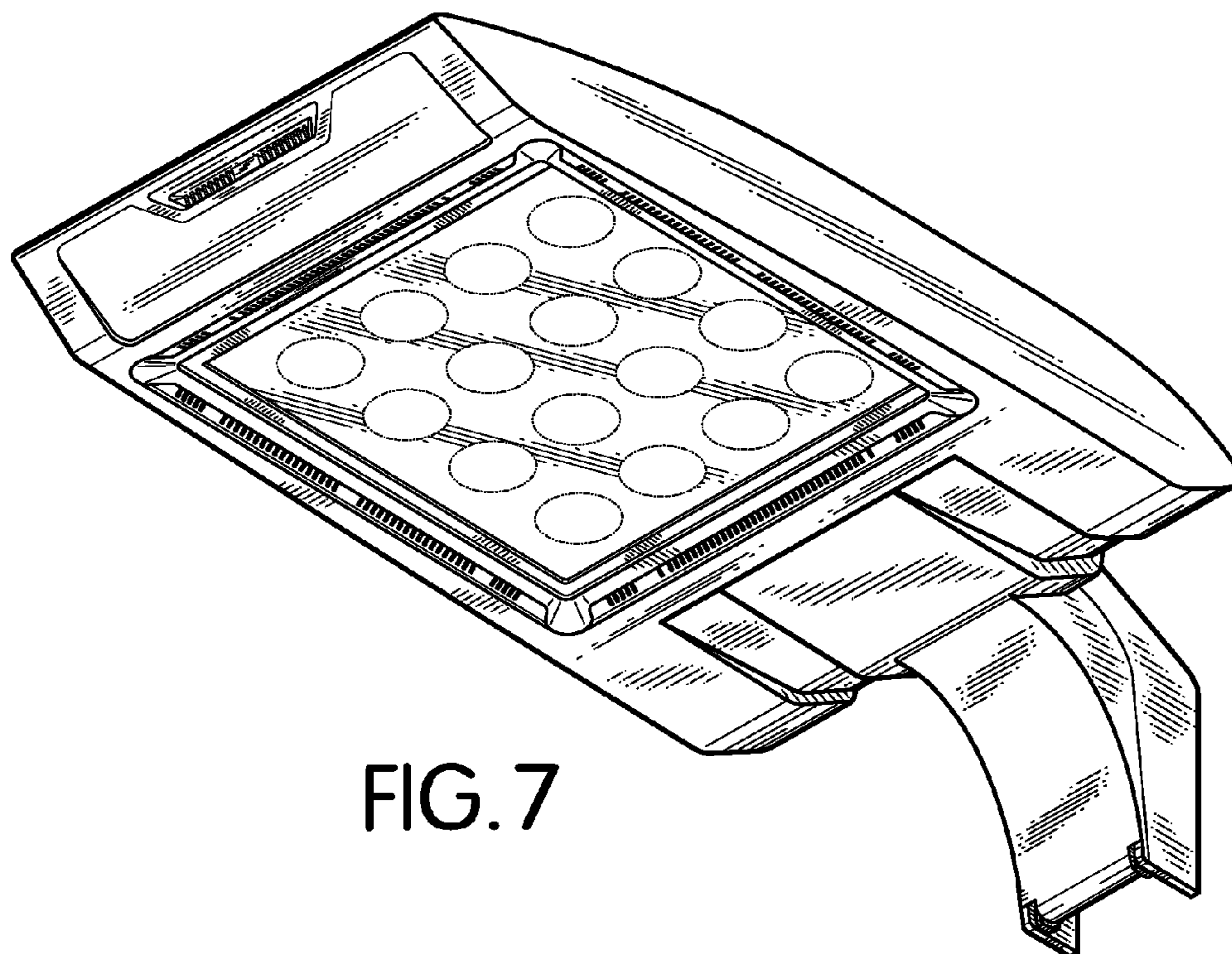


FIG. 7