



US00D670020S

(12) **United States Design Patent**
Herremans

(10) **Patent No.:** **US D670,020 S**
(45) **Date of Patent:** **** Oct. 30, 2012**

(54) **LUMINAIRE**

(75) Inventor: **Yves Herremans**, Kapellen (BE)

(73) Assignee: **Koninklijke Philips Electronics N.V.**,
Eindhoven (NL)

(**) Term: **14 Years**

(21) Appl. No.: **29/403,673**

(22) Filed: **Oct. 10, 2011**

(30) **Foreign Application Priority Data**

Apr. 11, 2011 (EM) 001848912-0008

(51) **LOC (9) Cl.** **26-03**

(52) **U.S. Cl.** **D26/88**

(58) **Field of Classification Search** D26/72,
D26/75, 76, 80, 83, 84, 86, 88-90, 124, 128;
362/147, 404-408

See application file for complete search history.

(56) **References Cited**

U.S. PATENT DOCUMENTS

D119,794 S * 4/1940 Robinson et al. D26/76

D188,436 S * 7/1960 Budke et al. D26/77

D362,321 S *	9/1995	Houssin et al.	D26/63
D452,030 S *	12/2001	Collver	D26/76
D459,827 S *	7/2002	Yang	D26/86
D466,244 S *	11/2002	Lewis et al.	D26/76
D505,221 S *	5/2005	Hetfield	D26/76
D597,242 S *	7/2009	Purcell	D26/76
D604,001 S *	11/2009	Thun	D26/76
D641,097 S *	7/2011	Kocks	D26/89
D649,281 S *	11/2011	Sabernig	D26/90

* cited by examiner

Primary Examiner — Clare E Heflin

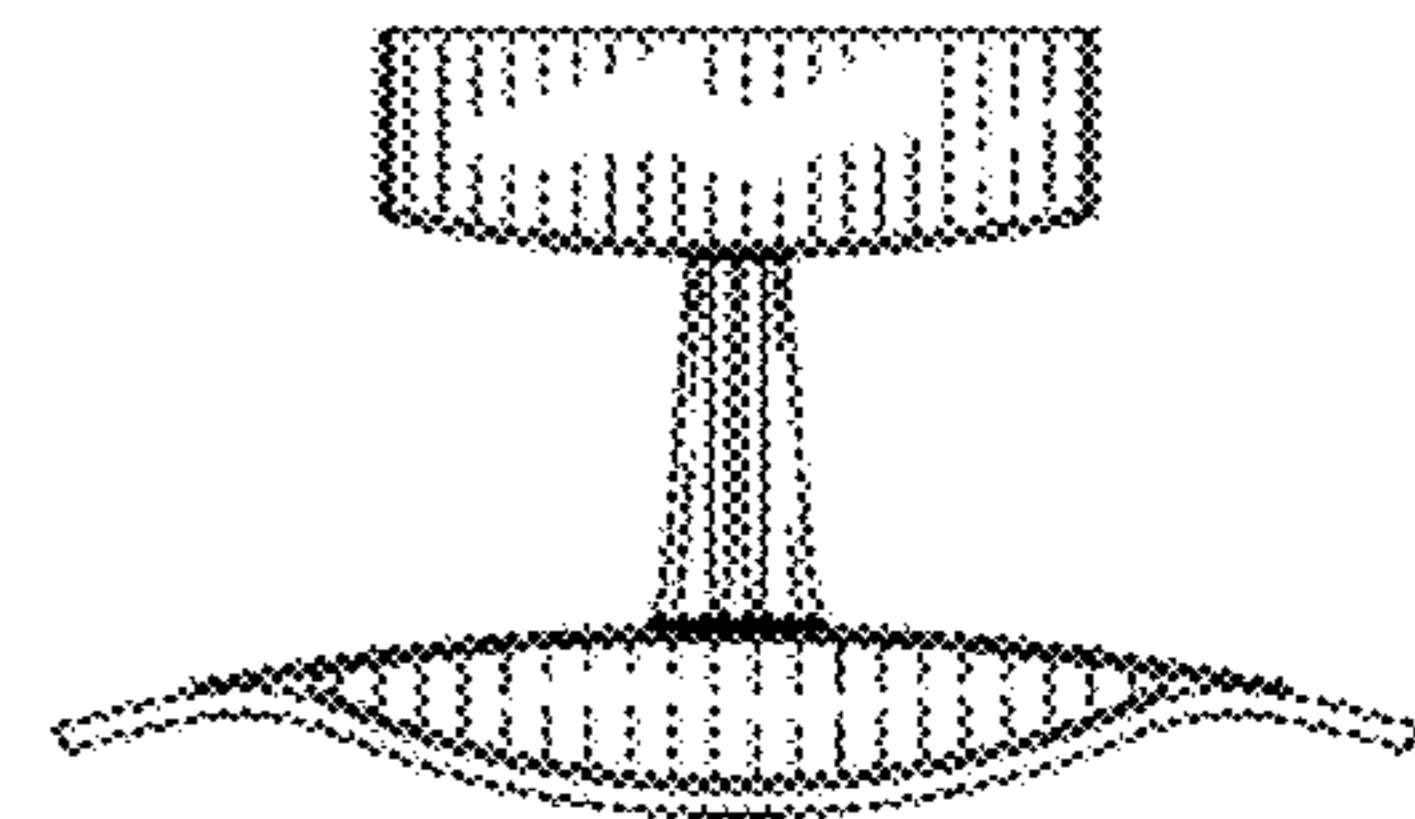
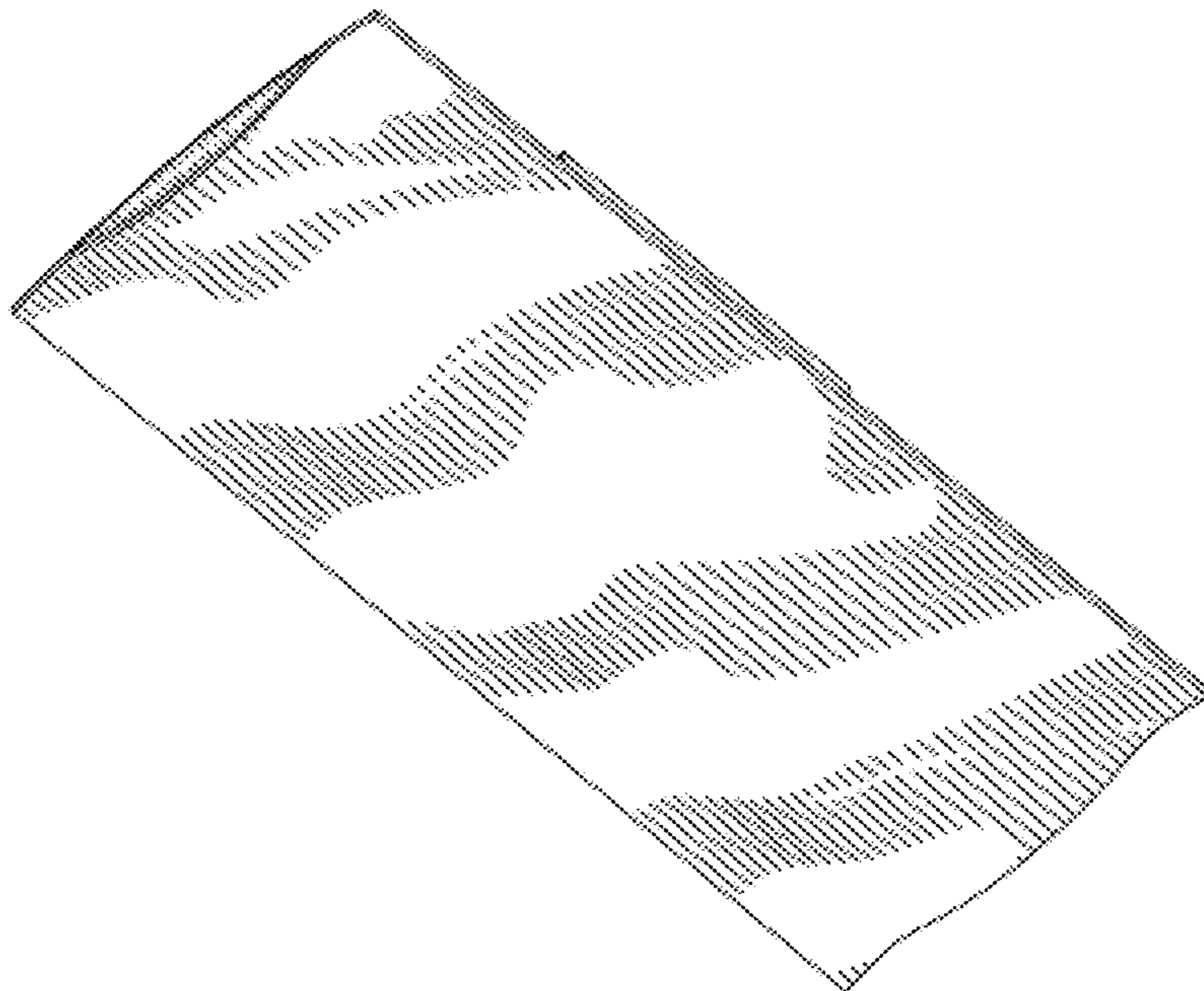
(57) **CLAIM**

The ornamental design for a luminaire, as shown.

DESCRIPTION

FIG. 1 is a perspective view showing my design;
FIG. 2 is a front elevational view thereof;
FIG. 3 is a rear elevational view thereof;
FIG. 4 is a right side elevational view thereof;
FIG. 5 is a left side elevational view thereof;
FIG. 6 is a top plan view thereof; and,
FIG. 7 is a bottom plan view thereof.

1 Claim, 3 Drawing Sheets



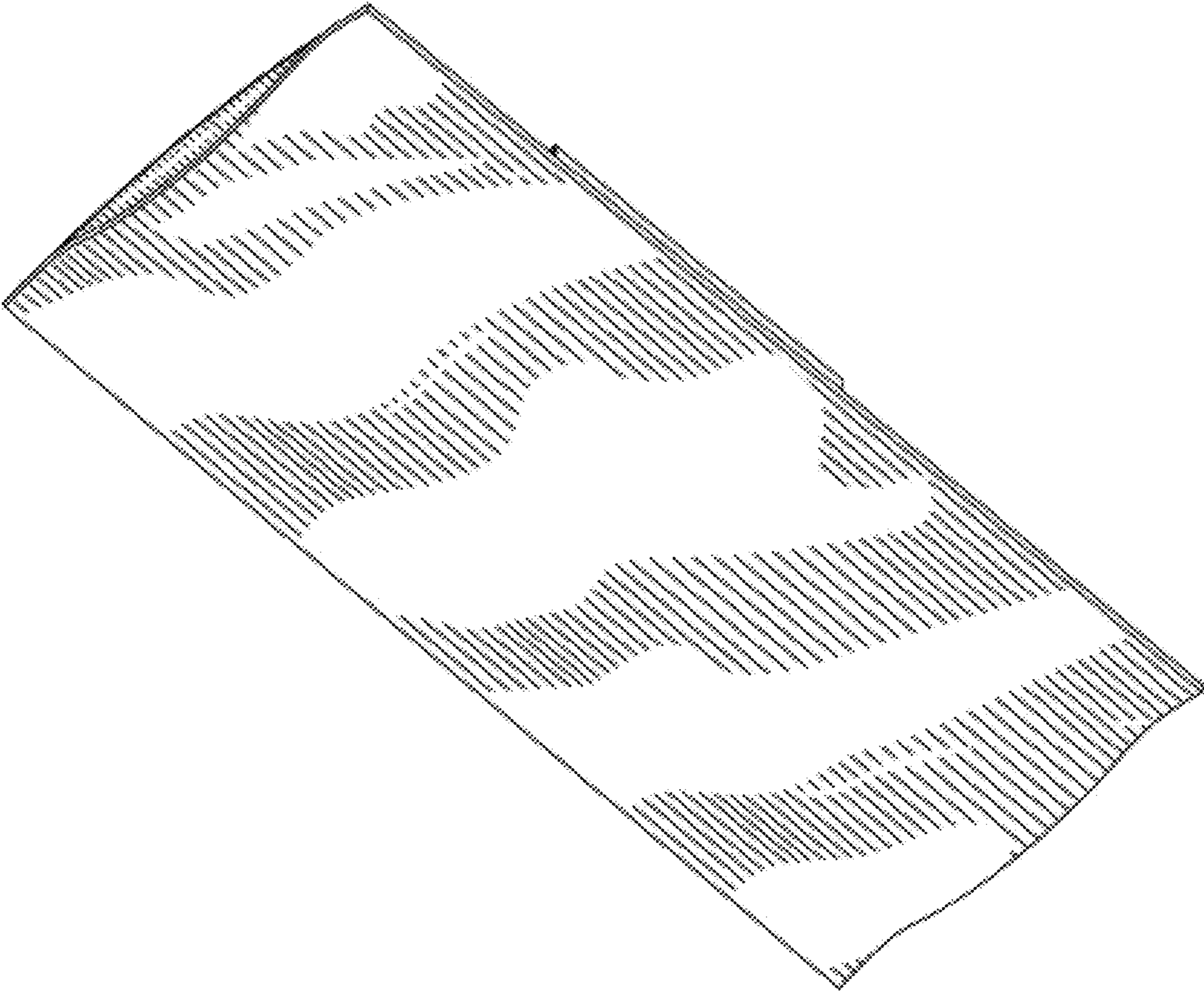


FIG. 1

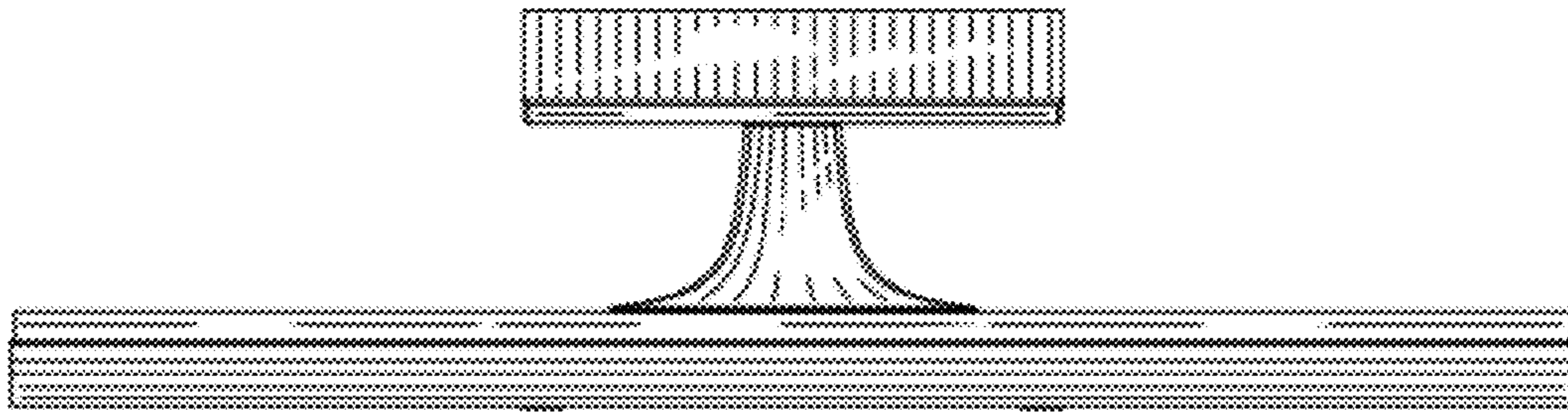


FIG. 2

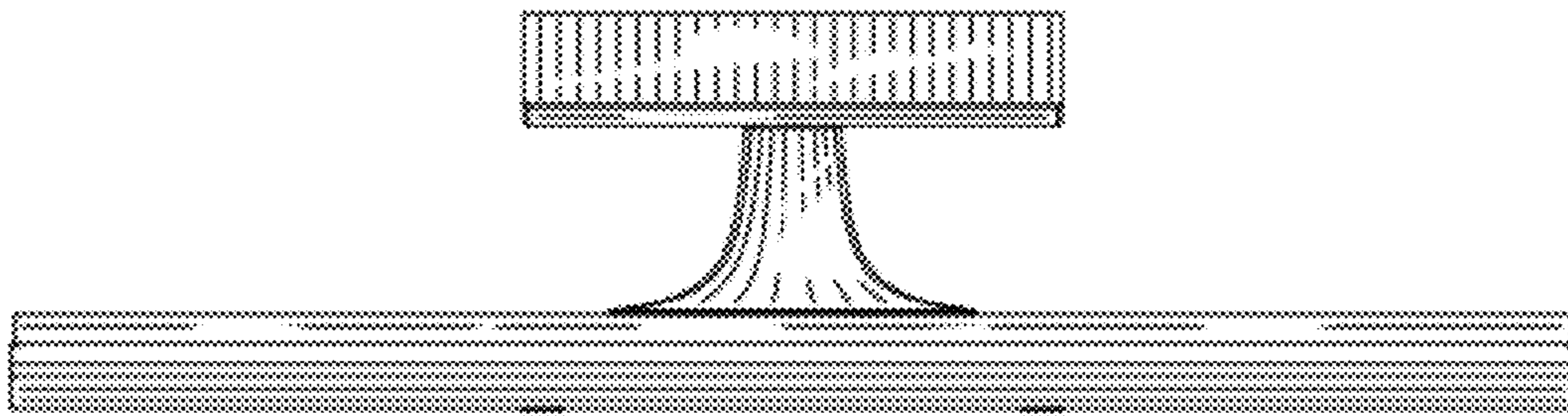


FIG. 3

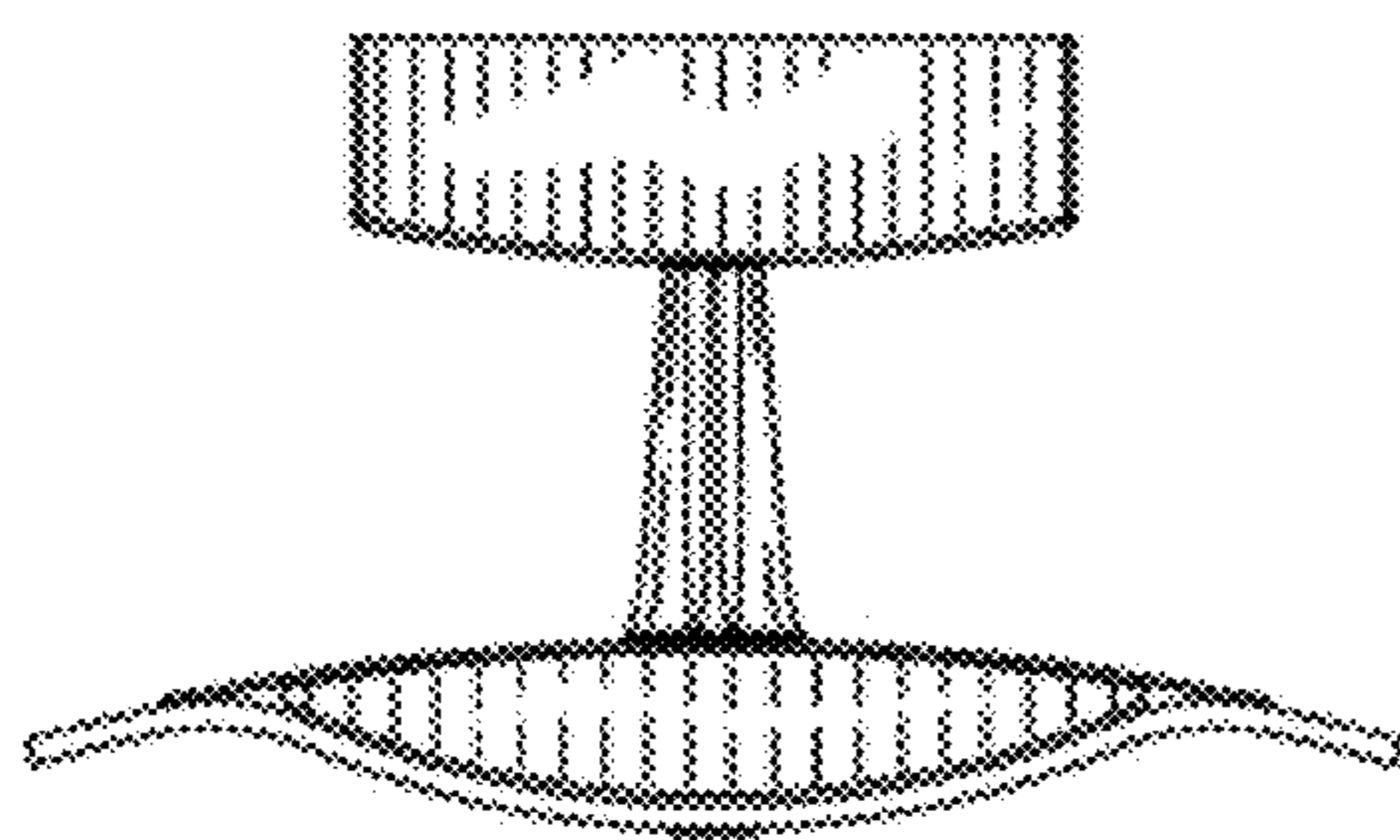


FIG. 4

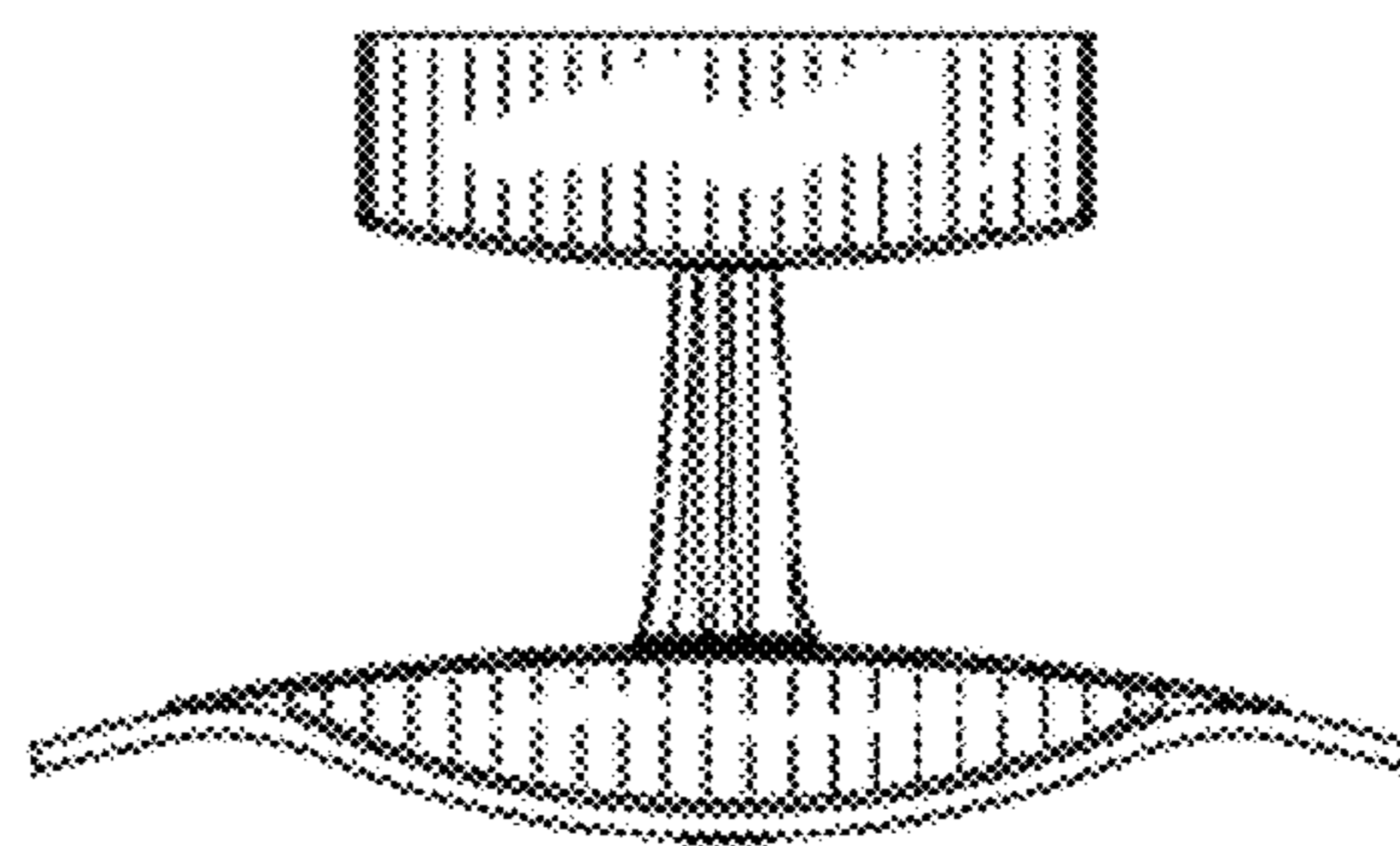


FIG. 5

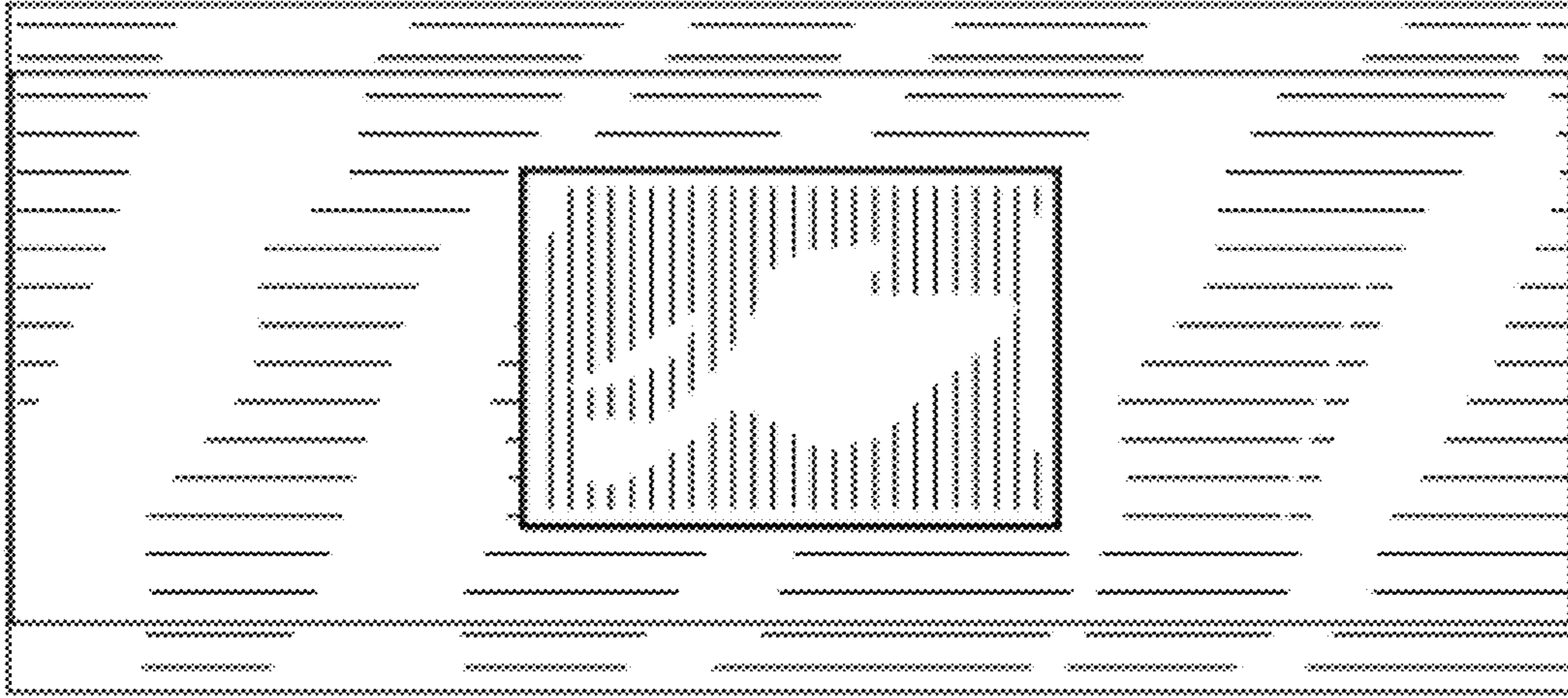


FIG. 6

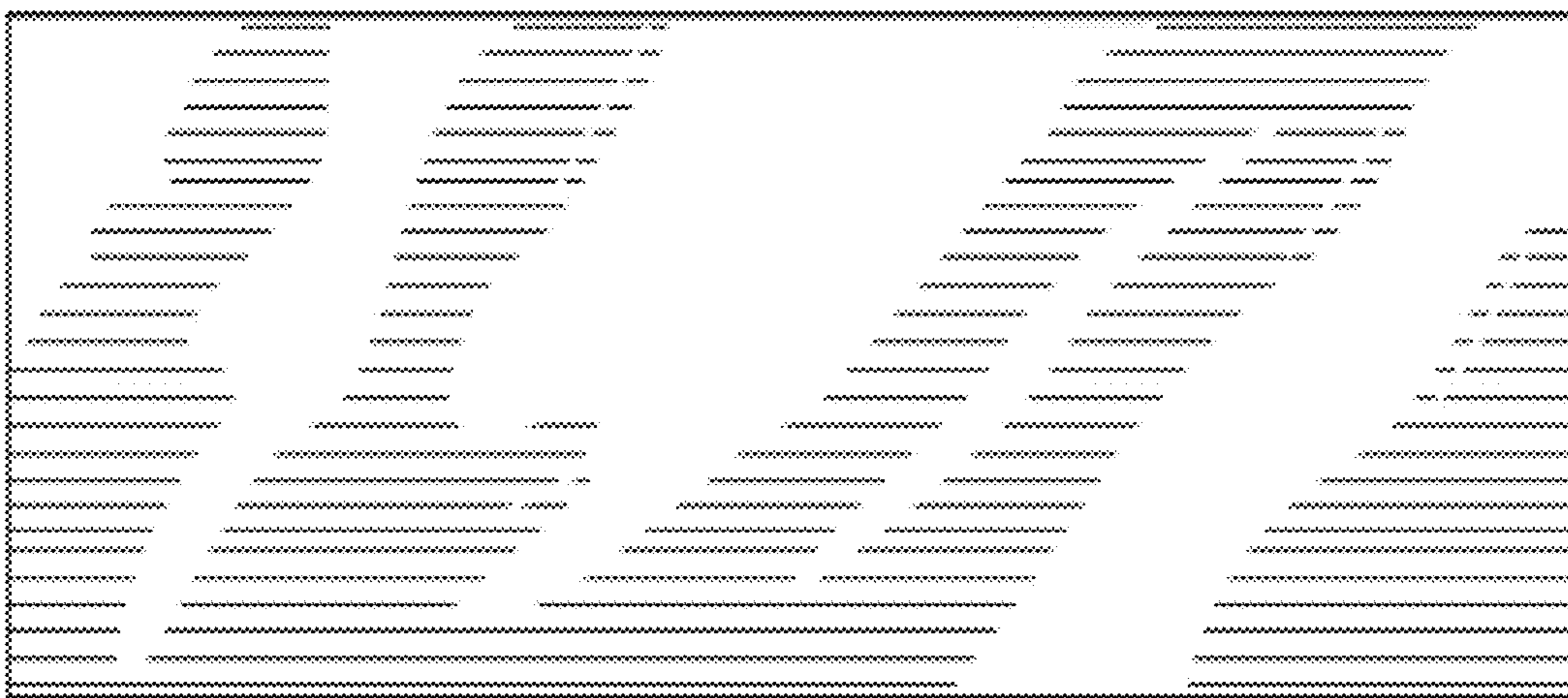


FIG. 7