



US00D670015S

(12) **United States Design Patent**
Wu

(10) **Patent No.:** **US D670,015 S**
(45) **Date of Patent:** **** Oct. 30, 2012**

(54) **SIX LED TORCH LIGHT**

(75) Inventor: **Liuning Wu**, Ningbo (CN)

(73) Assignee: **Ningbo Worth International Trade Co., Ltd.**, Ningbo (CN)

(**) Term: **14 Years**

(21) Appl. No.: **29/374,919**

(22) Filed: **Oct. 24, 2011**

(51) **LOC (9) Cl.** **26-02**

(52) **U.S. Cl.** **D26/49**

(58) **Field of Classification Search** D26/37,
D26/38, 49, 46; 362/157, 158, 184, 194–196,
362/202–208

See application file for complete search history.

(56) **References Cited**

U.S. PATENT DOCUMENTS

D267,278 S *	12/1982	Yau	D26/49
D443,091 S *	5/2001	van Klinken	D26/49
D443,374 S *	6/2001	van Klinken	D26/49
D493,008 S *	7/2004	Brent	D26/49
D496,482 S *	9/2004	Osiecki et al.	D26/49
D507,672 S *	7/2005	Fritz et al.	D26/49

D509,611 S *	9/2005	Chou	D26/37
D624,222 S *	9/2010	Poon	D26/46
D629,544 S *	12/2010	Deguglimo et al.	D26/49
D629,546 S *	12/2010	Deguglimo et al.	D26/49
D638,157 S *	5/2011	Lee	D26/49
D639,476 S *	6/2011	Robinson	D26/49

* cited by examiner

Primary Examiner — Ian Simmons

Assistant Examiner — Carissa C Fitts

(74) *Attorney, Agent, or Firm* — Thomas I. Rozsa

(57) **CLAIM**

The ornamental design for a six LED torch light, as shown and described.

DESCRIPTION

FIG. 1 is a top-side perspective view of the six LED torch light, showing my new design;

FIG. 2 is a bottom-side perspective view thereof;

FIG. 3 is front elevation view thereof;

FIG. 4 is a rear elevation view thereof;

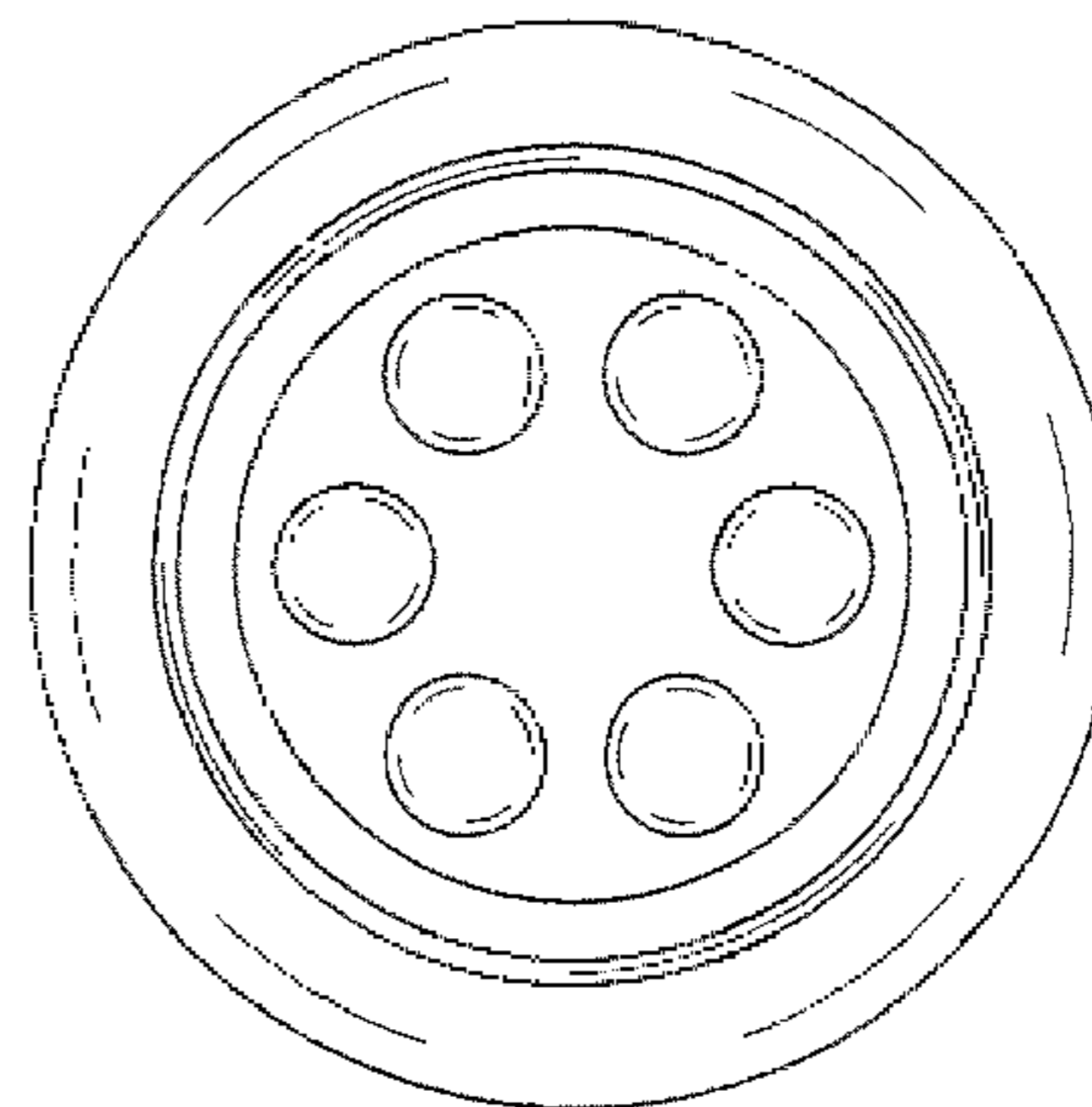
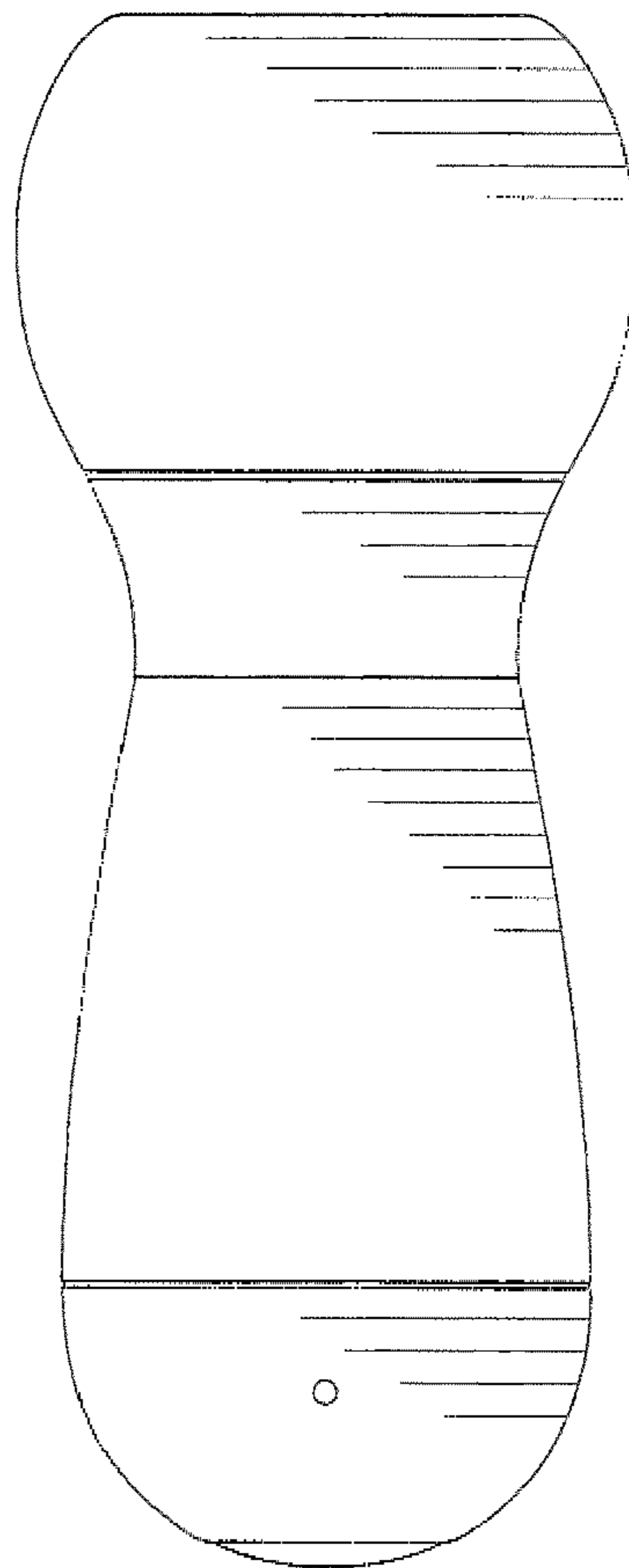
FIG. 5 is a top plan view thereof;

FIG. 6 is a bottom plan view thereof;

FIG. 7 is a right side elevation view; and,

FIG. 8 is a left side elevation view thereof.

1 Claim, 7 Drawing Sheets



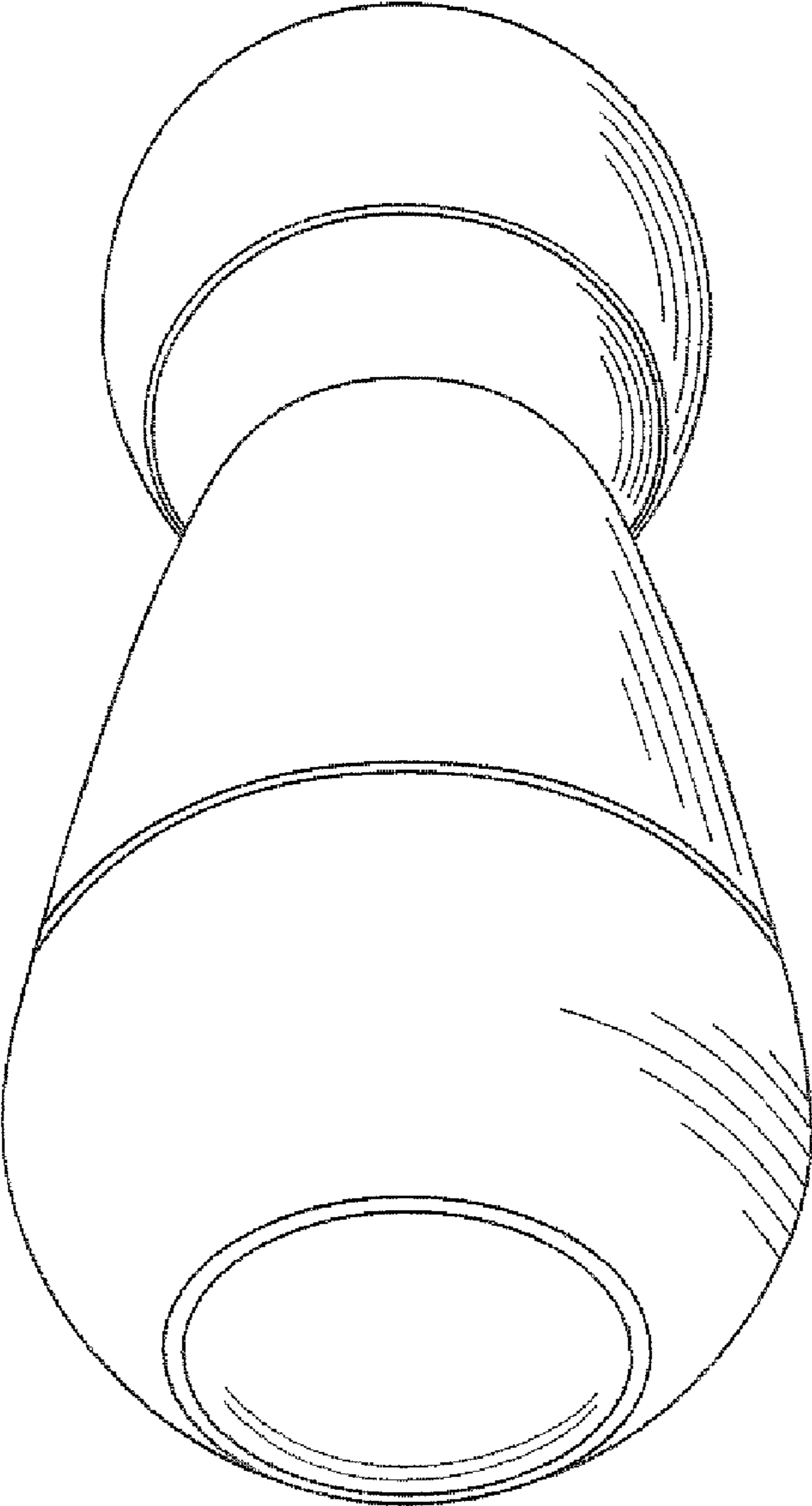


FIG. 1

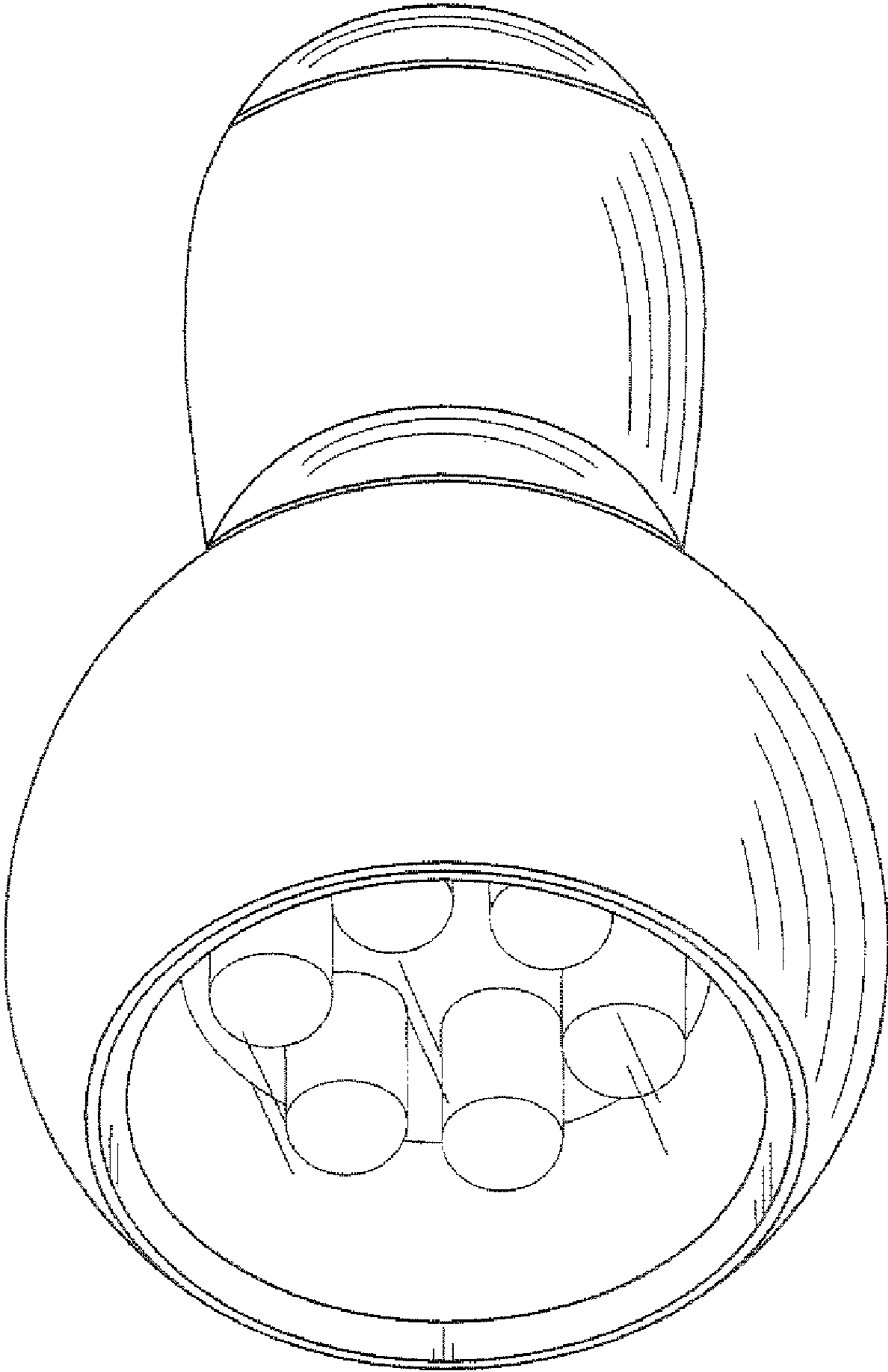


FIG. 2

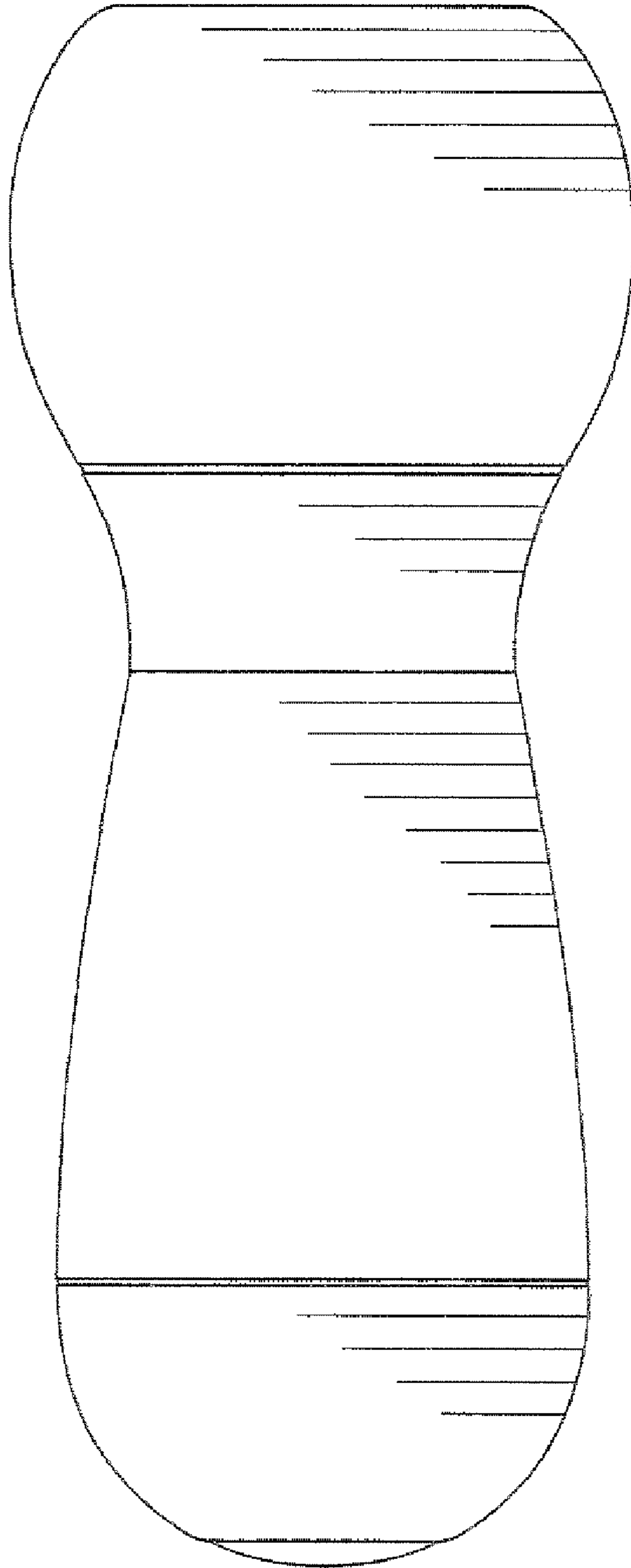


FIG. 3

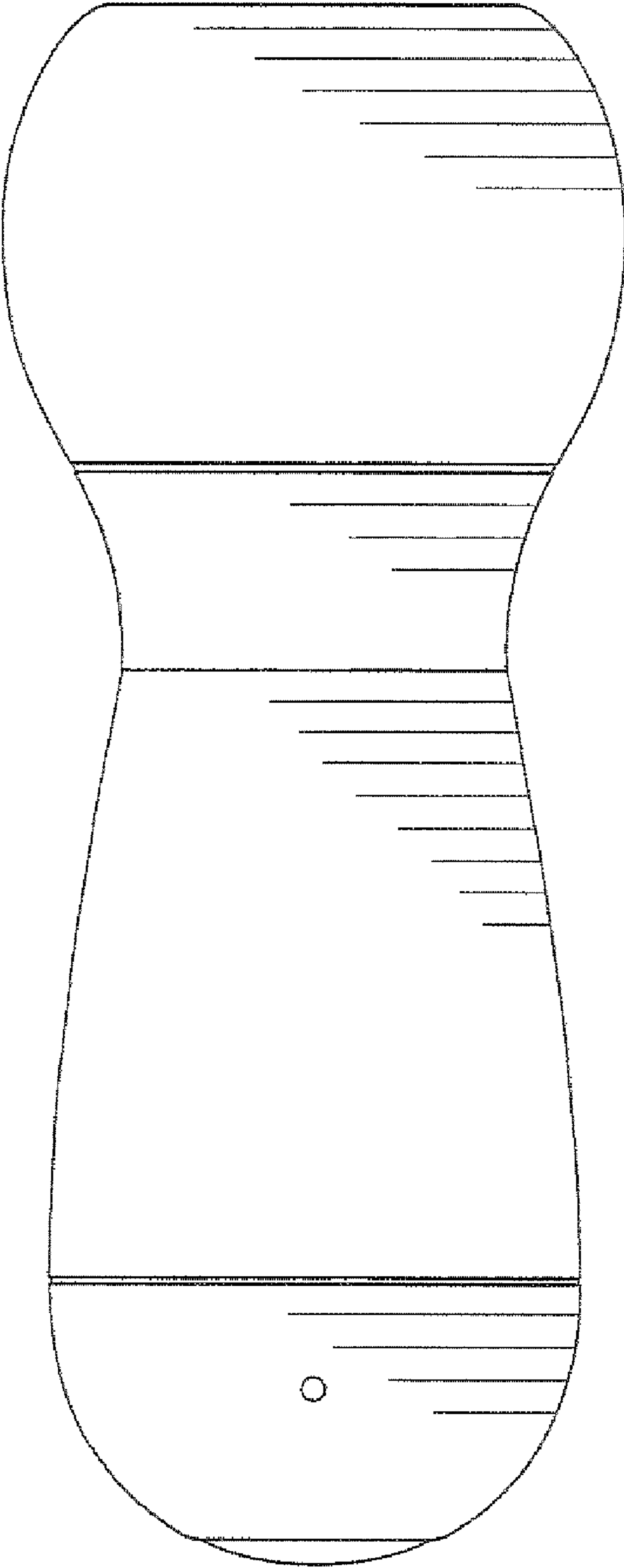


FIG. 4

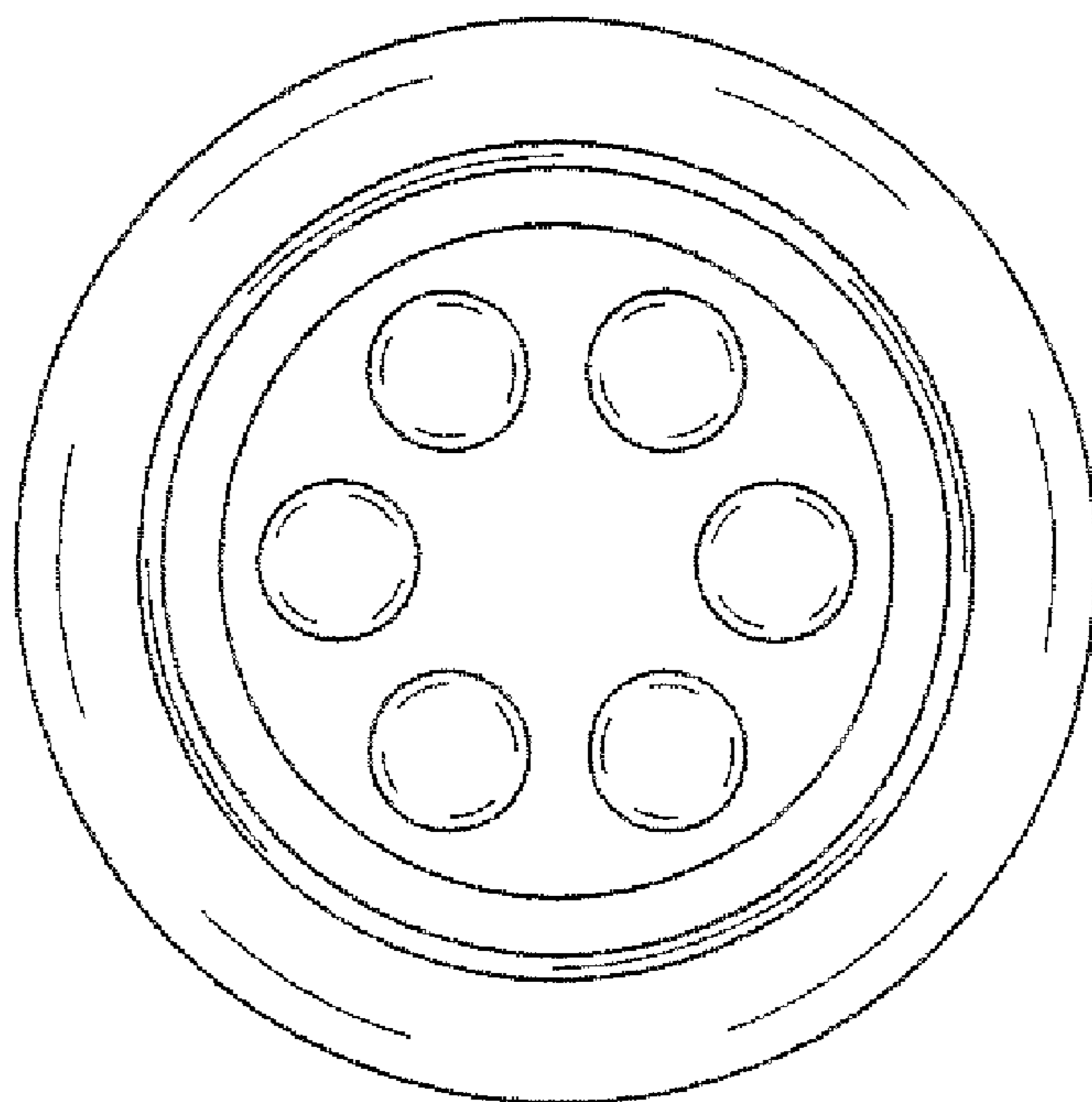


FIG. 5

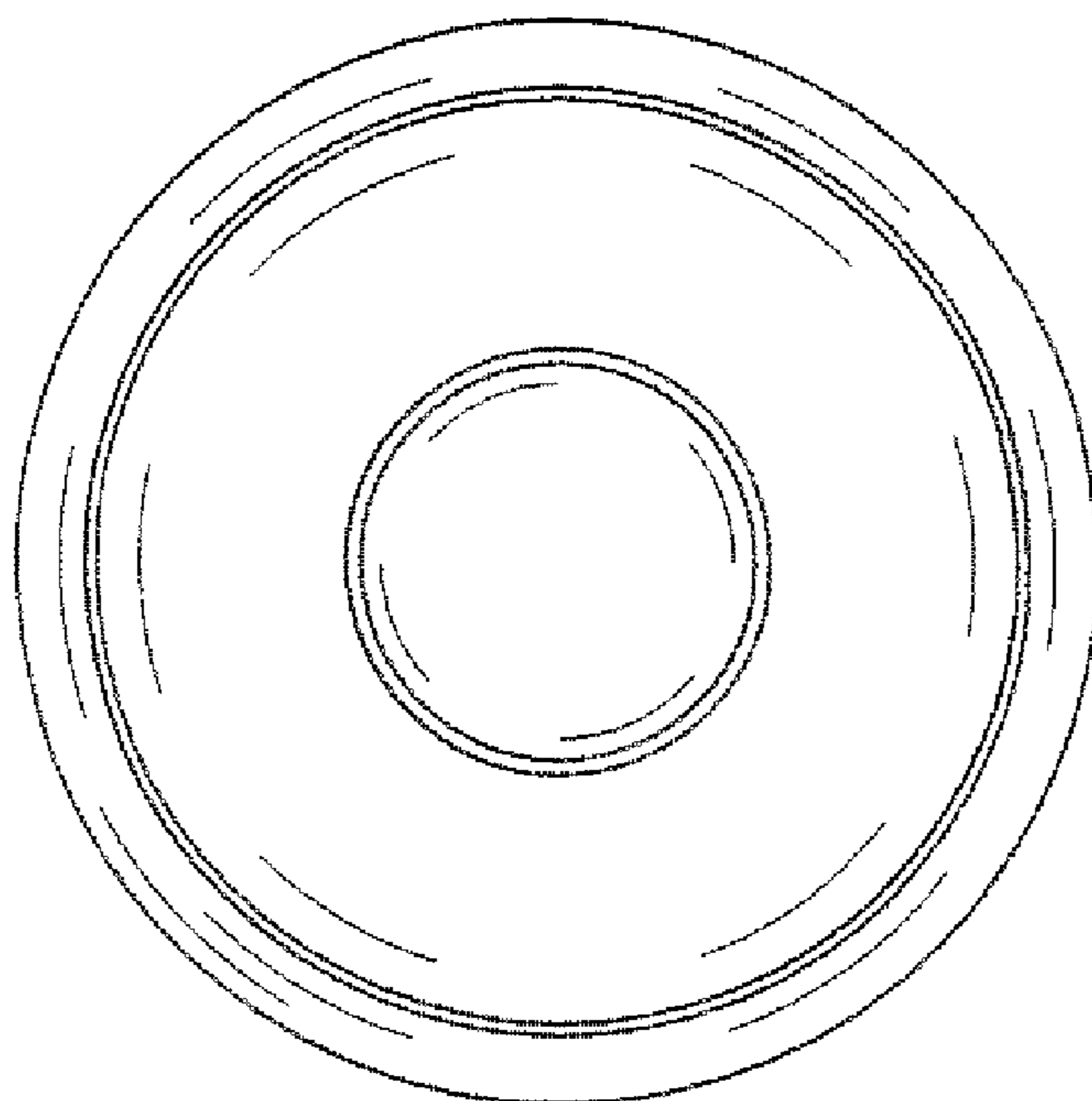


FIG. 6

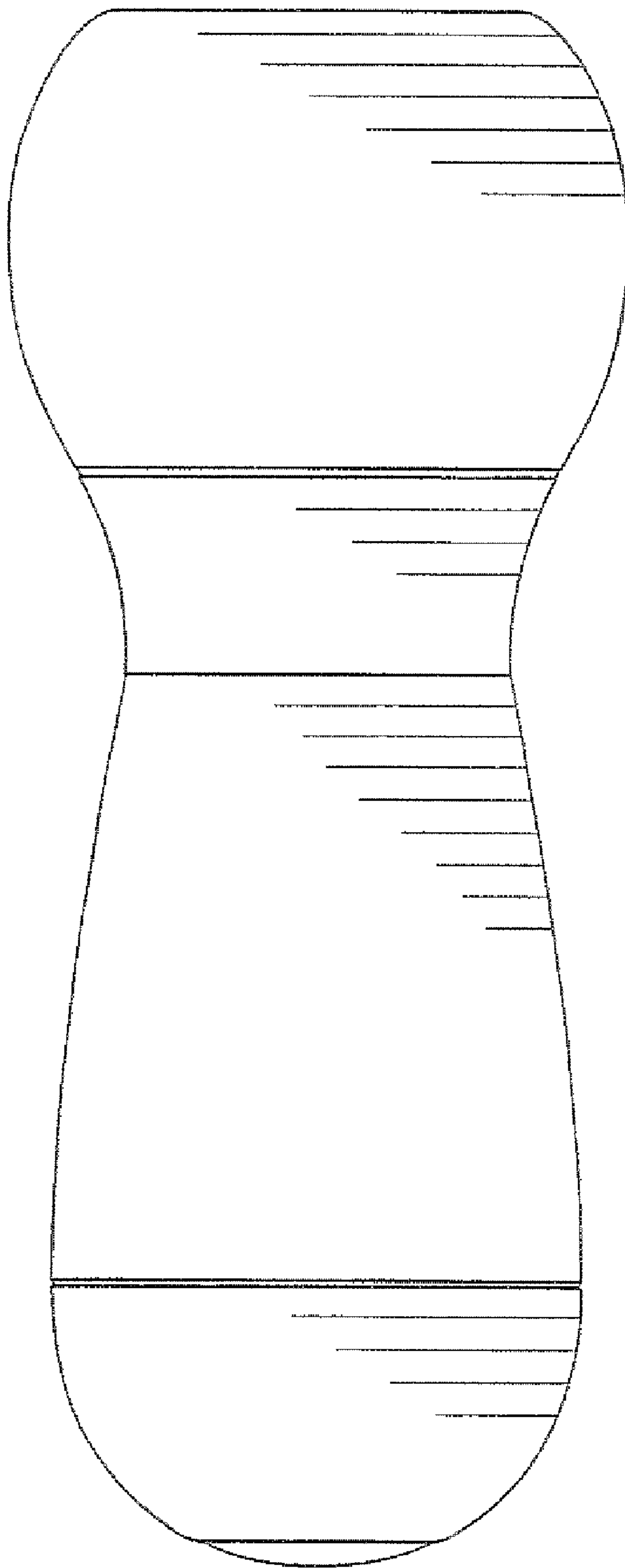


FIG. 7

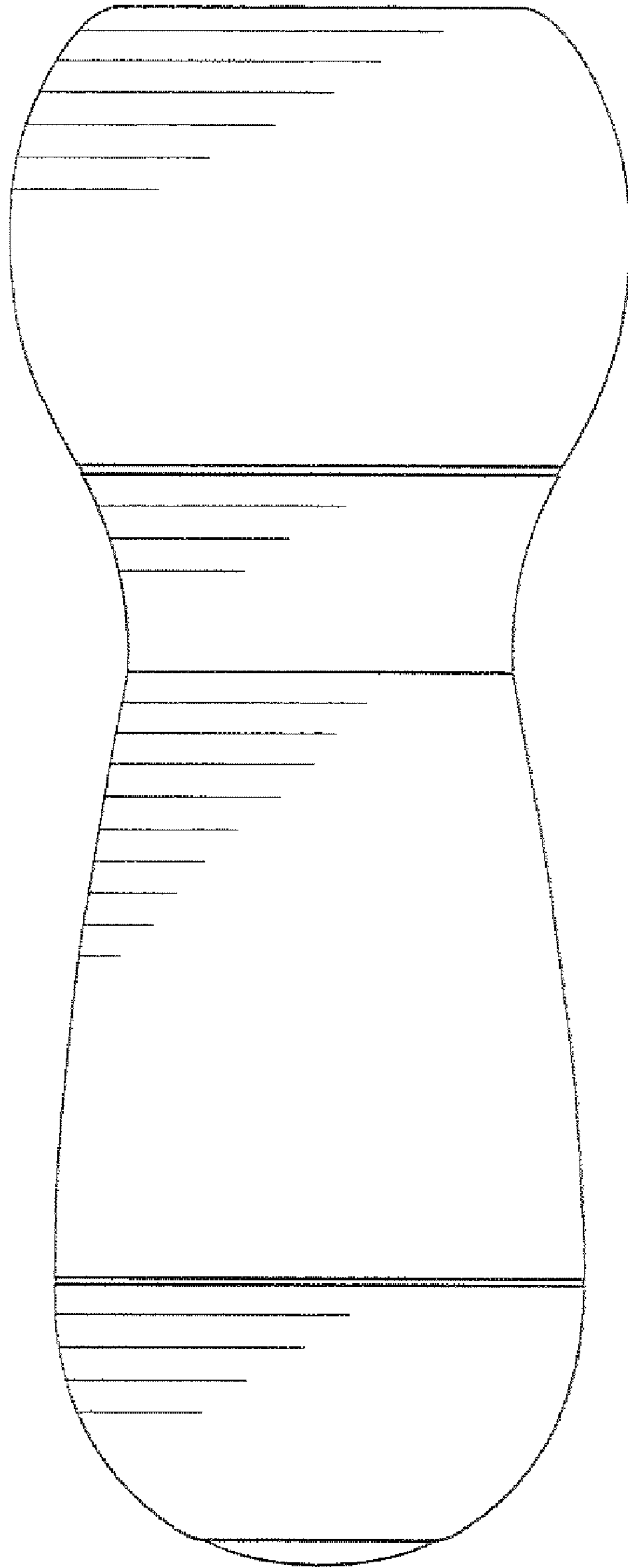


FIG. 8