



US00D670013S

(12) **United States Design Patent**
Bertken

(10) **Patent No.:** **US D670,013 S**

(45) **Date of Patent:** **** Oct. 30, 2012**

(54) **LANTERN**

(75) Inventor: **Dennis Bertken**, Del Mar, CA (US)

(73) Assignee: **Life+Gear, Inc.**, Del Mar, CA (US)

(**) Term: **14 Years**

(21) Appl. No.: **29/407,468**

(22) Filed: **Nov. 29, 2011**

(51) **LOC (9) Cl.** **26-02**

(52) **U.S. Cl.** **D26/40**

(58) **Field of Classification Search** D26/37,
D26/40-42; 362/157, 158, 171-174, 183,
362/184-186

See application file for complete search history.

(56) **References Cited**

U.S. PATENT DOCUMENTS

D374,098 S *	9/1996	Lo	D26/37
D392,061 S *	3/1998	Lo	D26/42
D429,354 S *	8/2000	Petterson	D26/40
D433,762 S *	11/2000	Yuen	D26/40
D440,677 S *	4/2001	Long et al.	D26/40
D443,088 S *	5/2001	Skidmore et al.	D26/40
D485,928 S *	1/2004	Leung et al.	D26/40

D487,809 S *	3/2004	Leung et al.	D26/40
D503,006 S *	3/2005	May et al.	D26/40
D545,984 S *	7/2007	Leung et al.	D26/40
D559,418 S *	1/2008	Poon	D26/40
D604,436 S *	11/2009	Poon	D26/40
D650,105 S *	12/2011	Crawford et al.	D26/41

* cited by examiner

Primary Examiner — Ian Simmons

Assistant Examiner — Carissa C Fitts

(74) *Attorney, Agent, or Firm* — Marger Johnson & McCollom, P.C.

(57) **CLAIM**

The ornamental design for a lantern, as shown and described.

DESCRIPTION

FIG. 1 is a perspective view of a lantern, showing my new design;

FIG. 2 is a front elevation view thereof, the rear elevation being substantially a mirror image thereof;

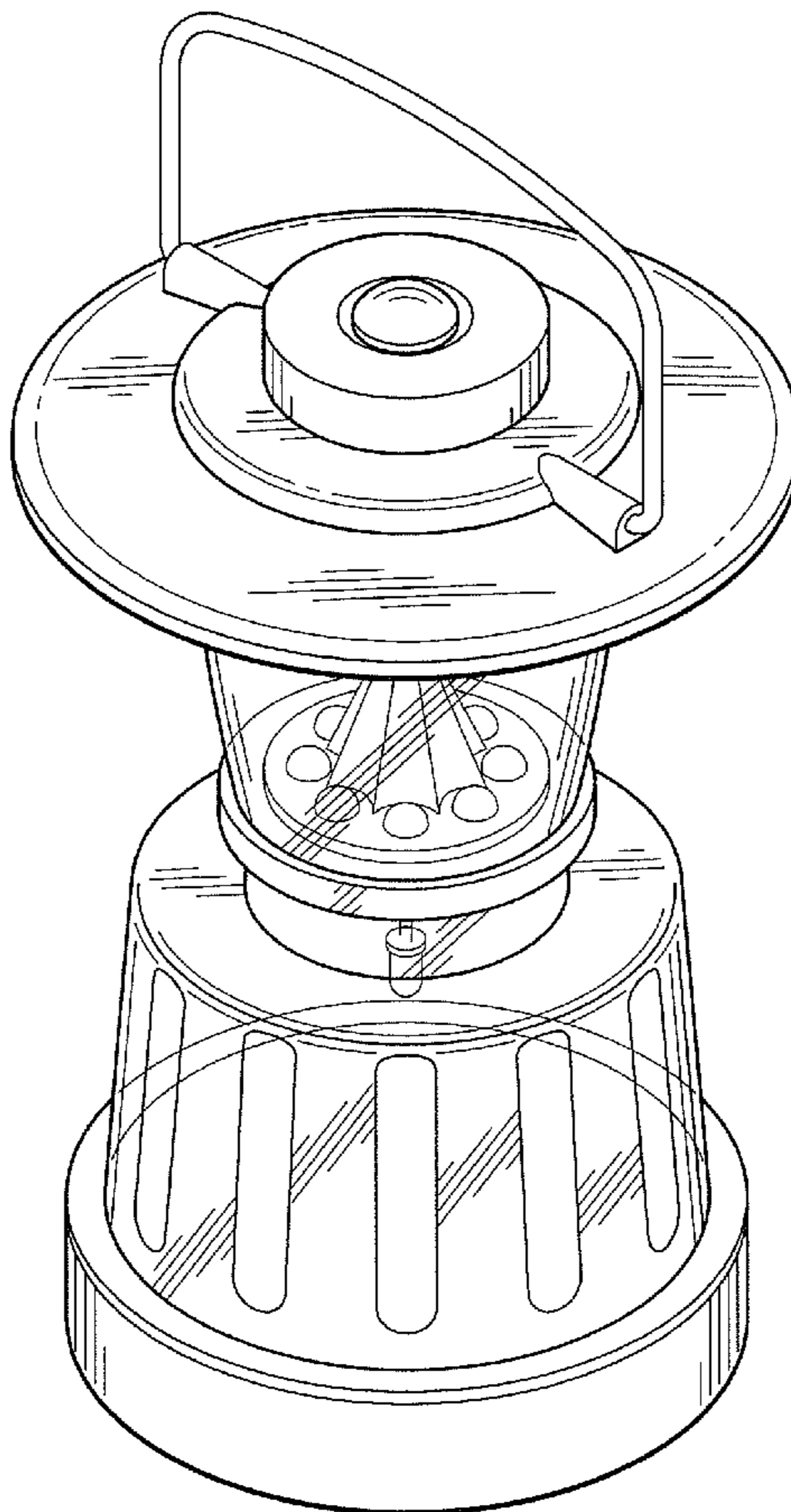
FIG. 3 is a left side, elevation view, the right side being a mirror image thereof;

FIG. 4 is a top plan view thereof; and,

FIG. 5 is a bottom plan view thereof.

The broken line showing in FIG. 5 is for environmental purposes only and forms no part of the claimed design.

1 Claim, 3 Drawing Sheets



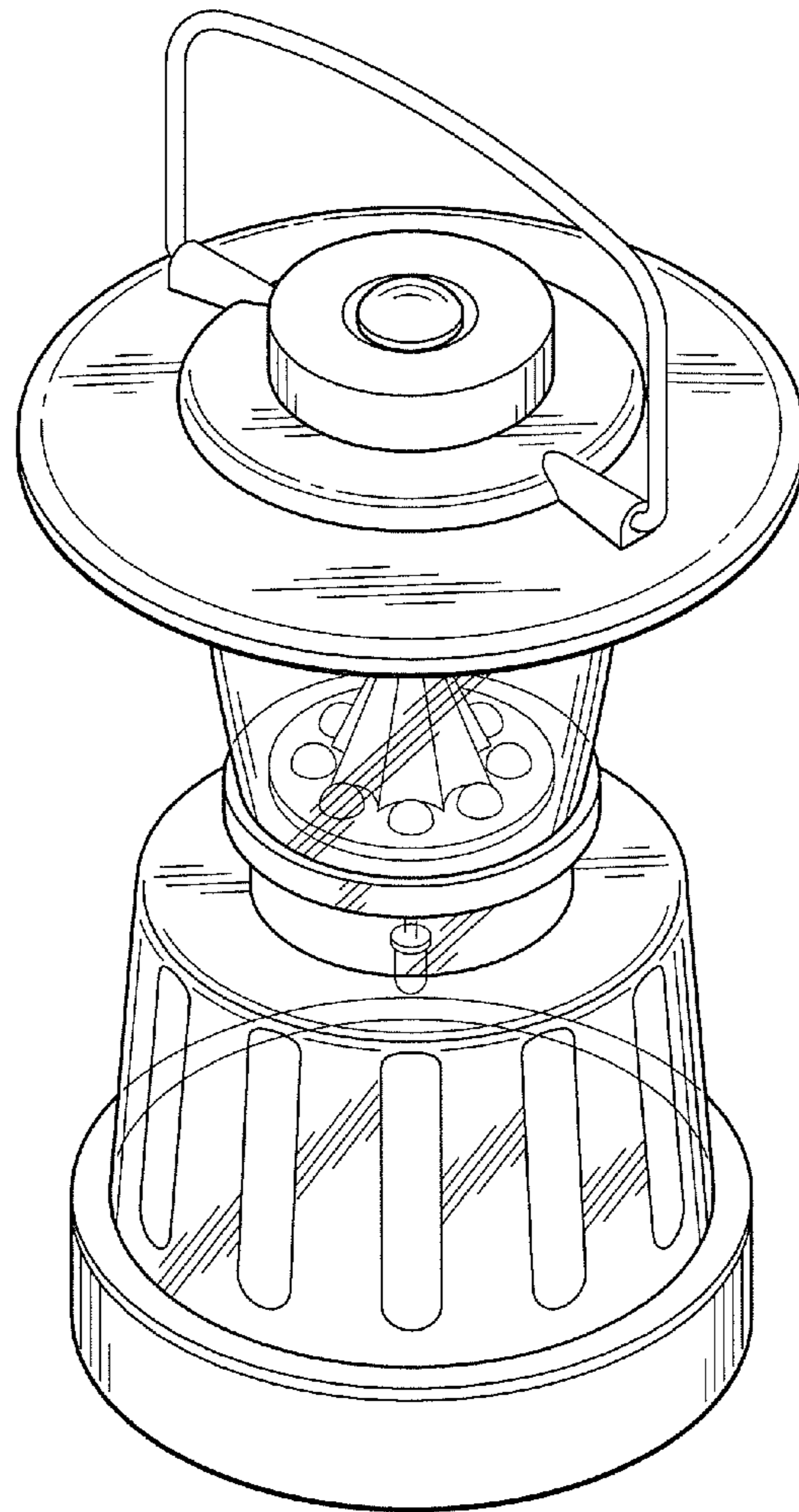


FIG. 1

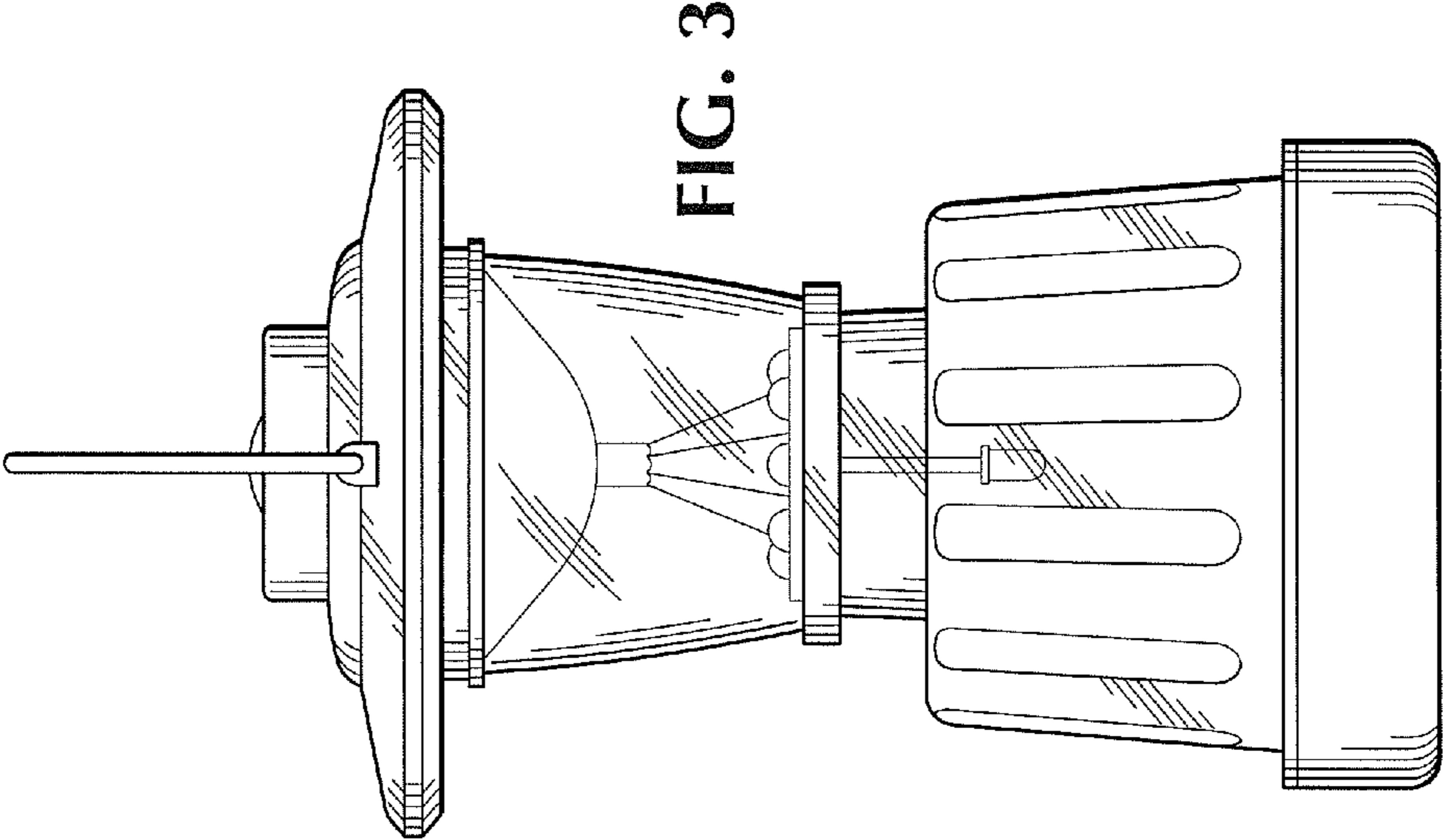


FIG. 3

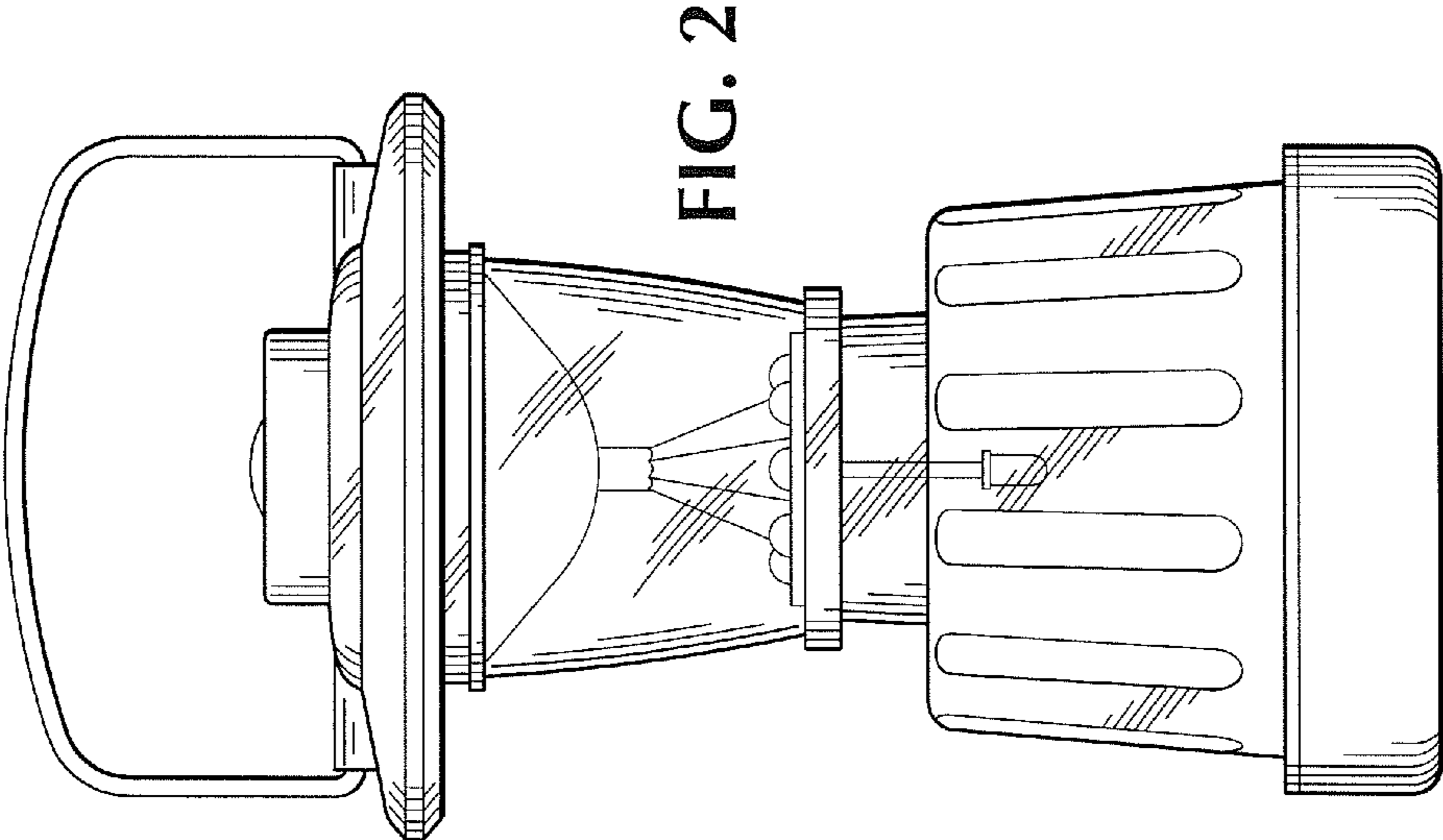


FIG. 2

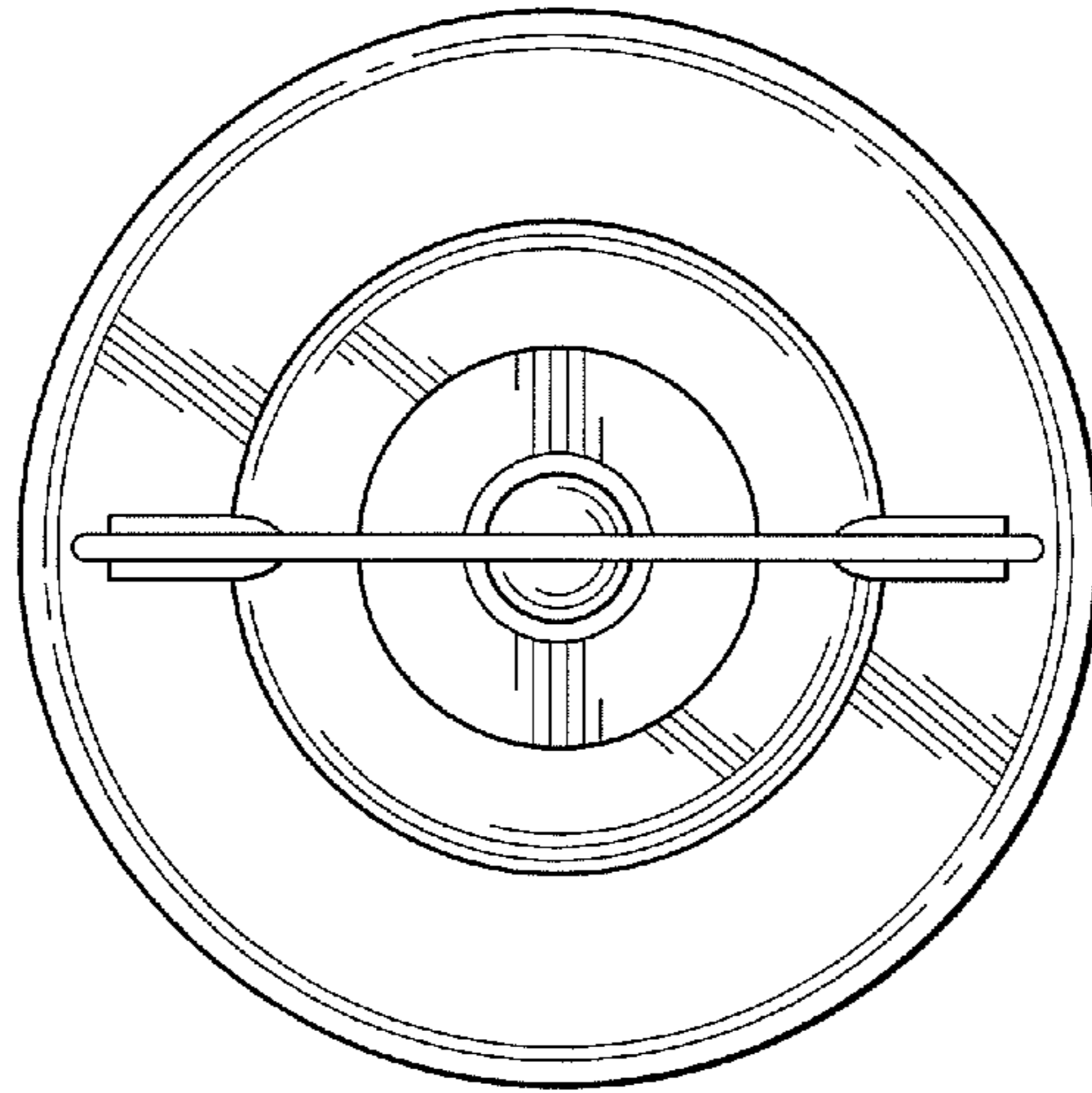


FIG. 4

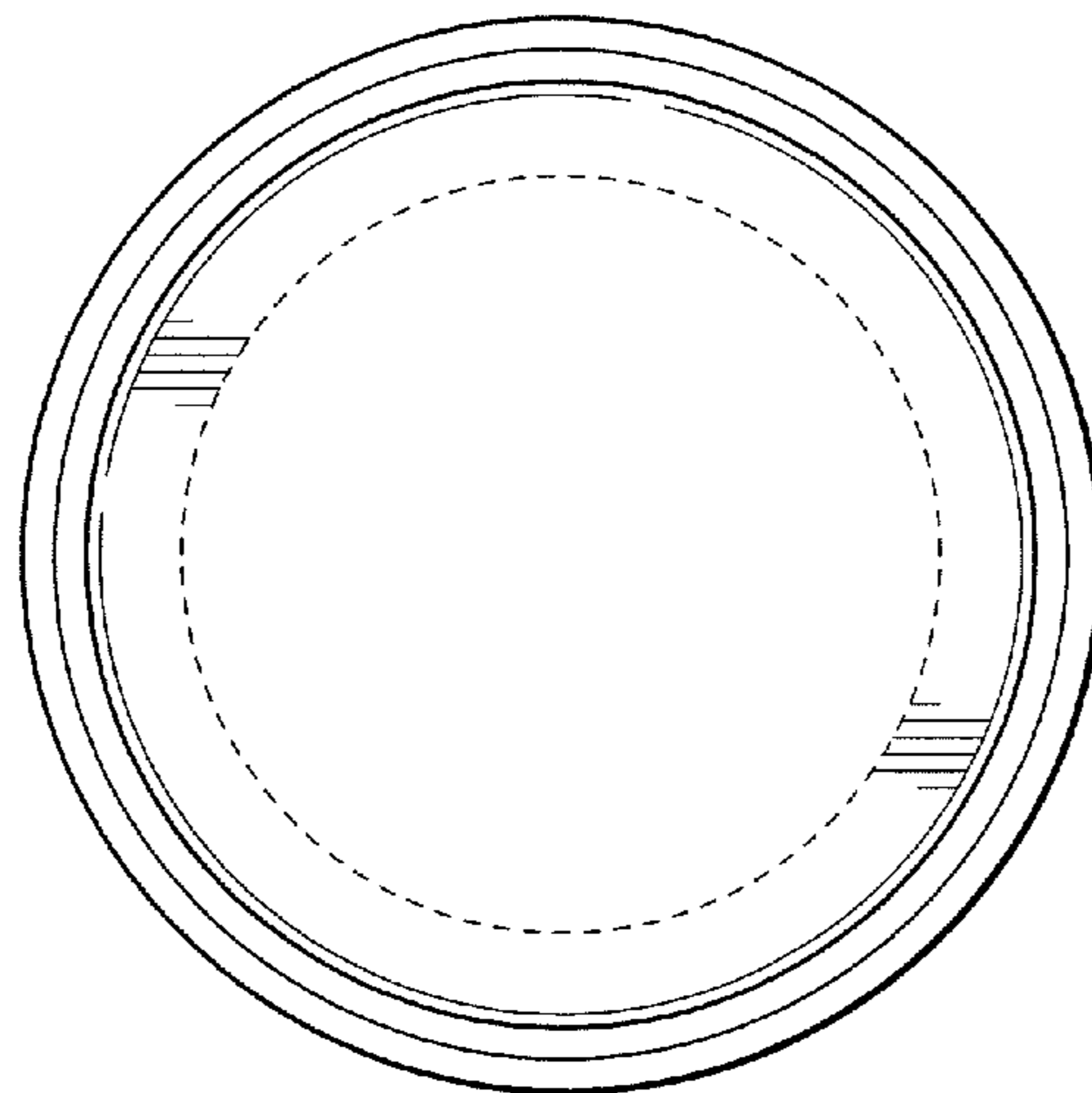


FIG. 5