

US00D670012S

(12) **United States Design Patent**
Herbin et al.

(10) **Patent No.:** **US D670,012 S**
(45) **Date of Patent:** **** Oct. 30, 2012**

(54) **LIGHT DEVICE FOR A VEHICLE**

(74) *Attorney, Agent, or Firm* — Jacox, Meckstroth & Jenkins

(75) Inventors: **Cyril Herbin**, Potelle (FR); **Olivier Draguet**, Bois d'Haine (BE)

(73) Assignee: **Valeo Vision S.A.S.**, Bobigny (FR)

(57) **CLAIM**

(**) Term: **14 Years**

The ornamental design for lighting device for a vehicle, as shown and described in FIGS. 1-9.

(21) Appl. No.: **29/315,912**

(22) Filed: **Aug. 5, 2009**

DESCRIPTION

Related U.S. Application Data

(63) Continuation-in-part of application No. 29/327,307, filed on Nov. 4, 2008, now Pat. No. Des. 622,427, and a continuation-in-part of application No. 29/323,887, filed on Sep. 3, 2008, now Pat. No. Des. 625,443.

The file of this patent contains at least one drawing executed in color. Copies of this patent with color drawing(s) will be provided by the Patent and Trademark Office upon request and payment of the necessary fee. The color shown on the claimed design forms no part thereof.

(51) **LOC (9) Cl.** **26-06**

FIG. 1 is a side view of a lighting device in accordance with one embodiment of the invention;

(52) **U.S. Cl.** **D26/28**

FIG. 2 is another view of the assembled lighting device shown in FIG. 1;

(58) **Field of Classification Search** D26/28-36;
362/459-468, 475-478, 485-487

FIG. 3 is a front view of the assembled lighting device shown in FIG. 1;

See application file for complete search history.

FIG. 4 is another view of the assembled lighting device shown in FIG. 1;

(56) **References Cited**

U.S. PATENT DOCUMENTS

D550,383	S	*	9/2007	Asai	D26/28
D556,349	S	*	11/2007	Golden et al.	D26/28
D560,291	S	*	1/2008	Koyama	D26/28
D561,358	S	*	2/2008	Tachibana	D26/28
D635,694	S	*	4/2011	Yang et al.	D26/28

FIG. 5 is a perspective view of the assembled lighting device shown in FIG. 1;

FOREIGN PATENT DOCUMENTS

EM	000261870-0001	A1	2/2005
EM	000261870-0002	A1	2/2005
EM	000267372-0001	A1	2/2005
EM	000237094-0001	A1	3/2007
EM	000237094-0002	A1	3/2007

FIG. 6 is a perspective view of the assembled lighting device shown in FIG. 1 illustrating use of a light source such as a bulb, which is not part of the design;

FIG. 7 is another perspective view of the assembled lighting device shown in FIG. 1 illustrating use of a light source such as a bulb, which is not part of the design;

FIG. 8 is a rear view of the lighting device shown in FIG. 1;

and,

FIG. 9 is another view of the lighting device shown in FIG. 1.

(Continued)

1 Claim, 9 Drawing Sheets
(9 of 9 Drawing Sheet(s) Filed in Color)

Primary Examiner — Marcus Jackson



US D670,012 S

Page 2

FOREIGN PATENT DOCUMENTS
EM 000237094-0003 A1 3/2007
EM 000377122-0001 A1 1/2008
EM 000344130-0001 A1 7/2008

FR 032187-001 A1 5/2006
FR 032187-002 A1 5/2006

* cited by examiner

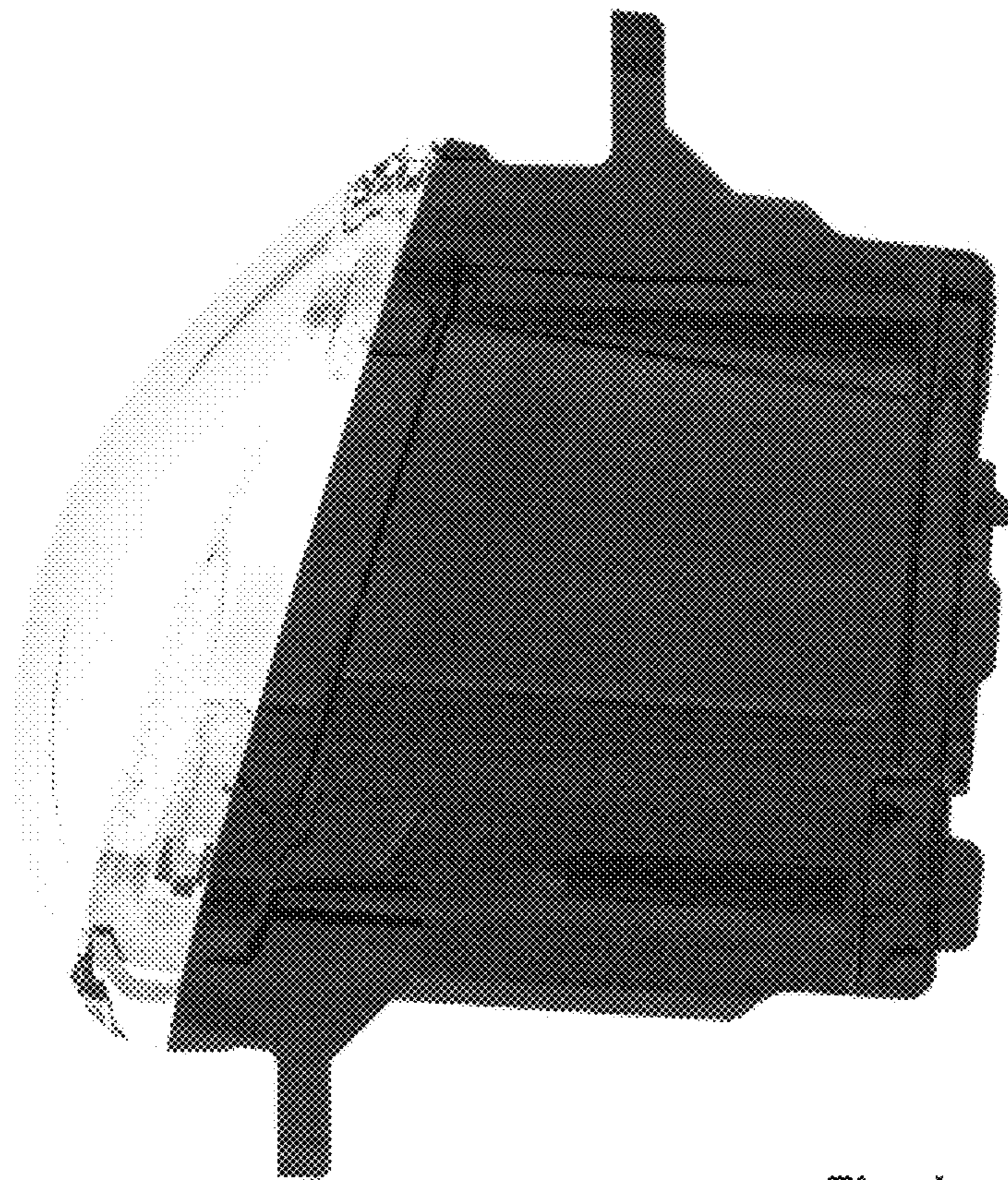


Fig. 1

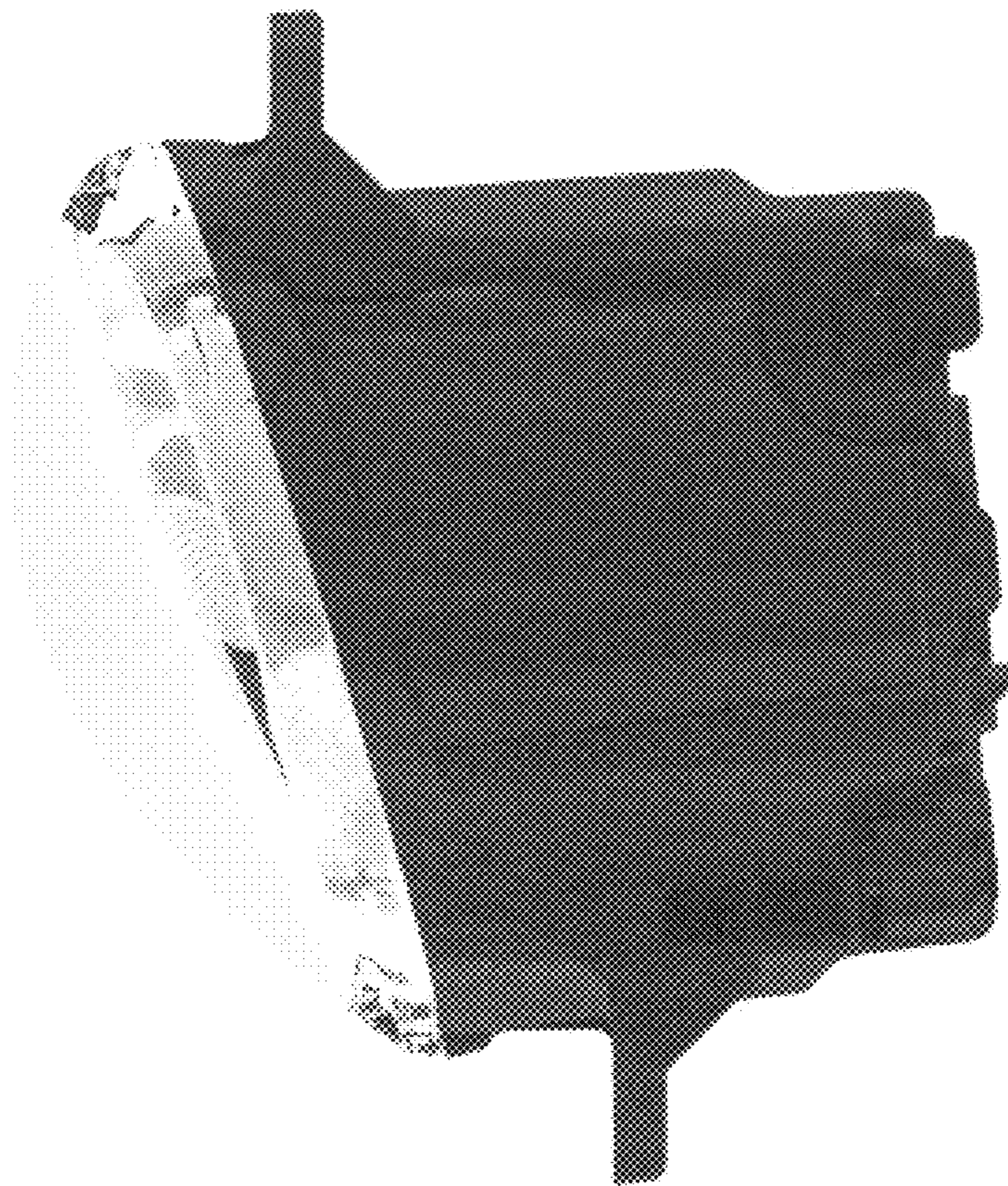


Fig. 2

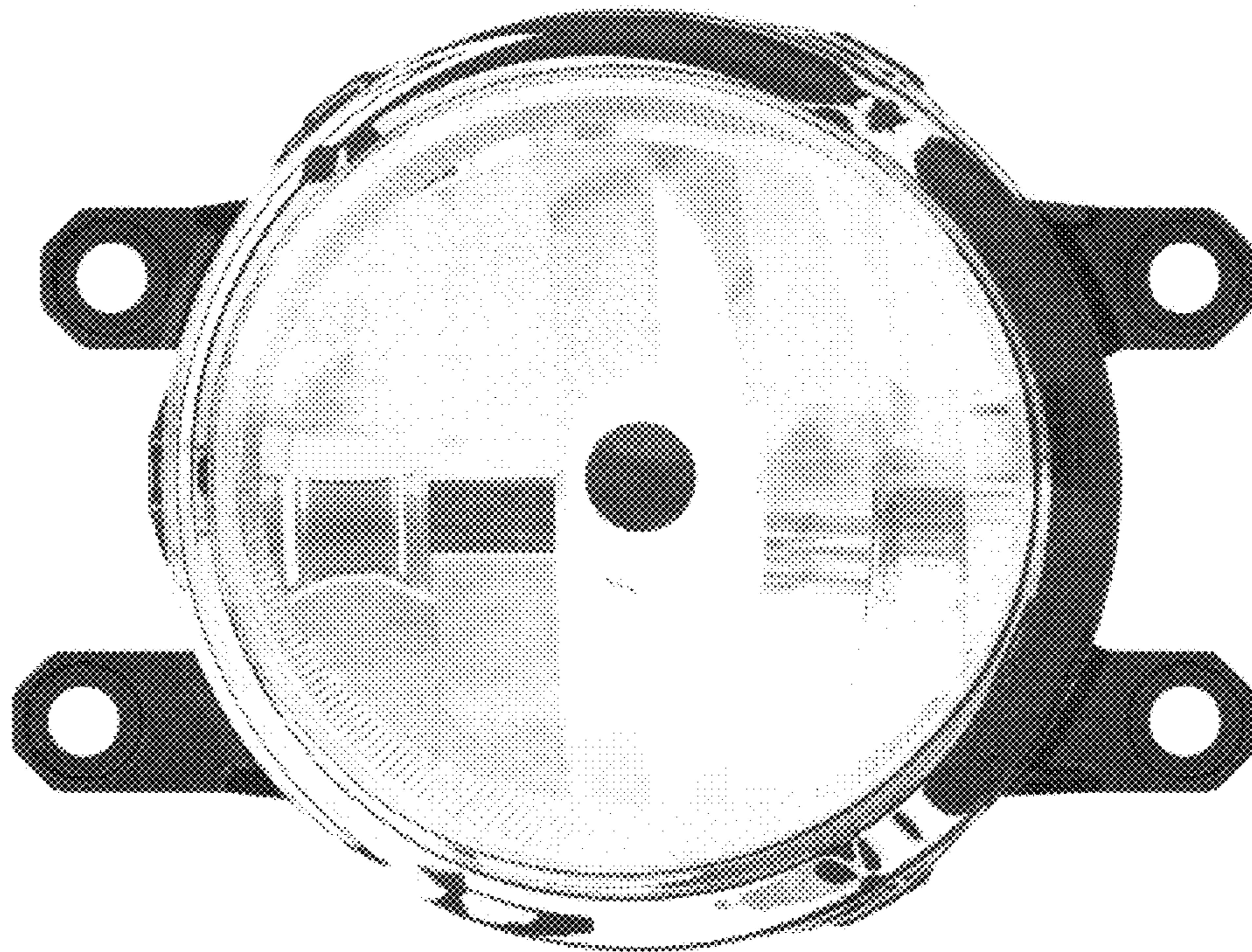


Fig. 3

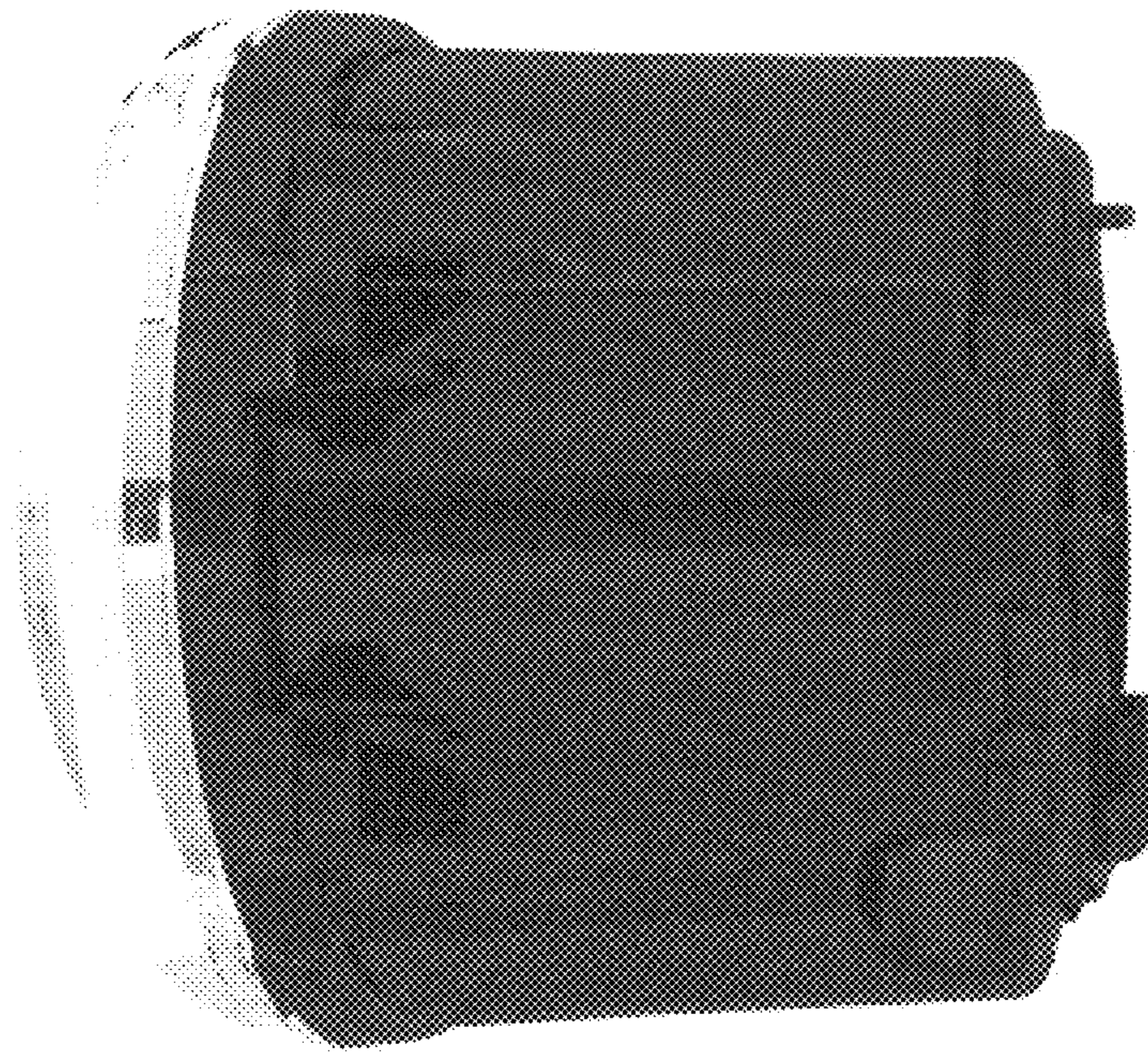


Fig. 4



Fig. 5

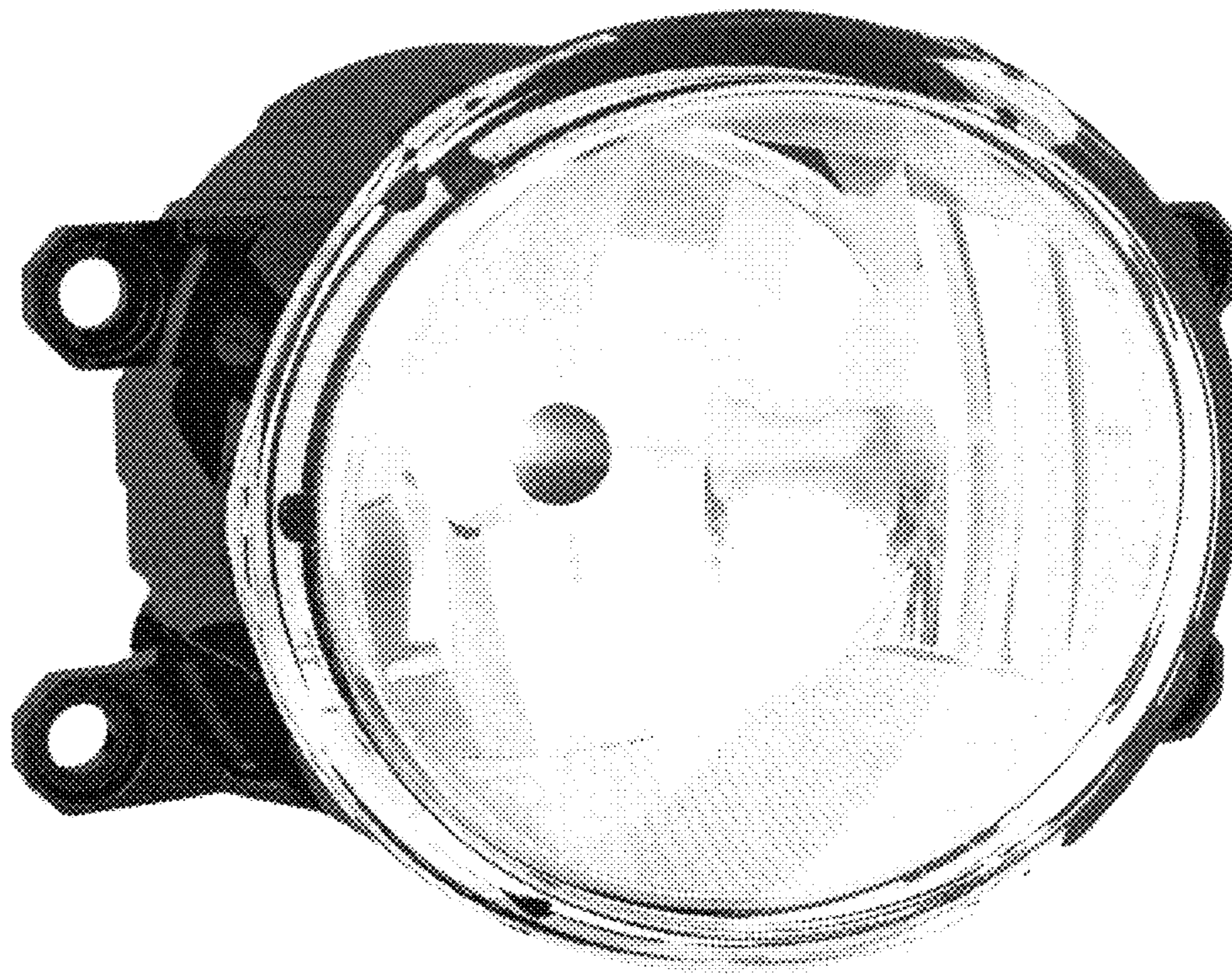


Fig. 6



Fig. 7

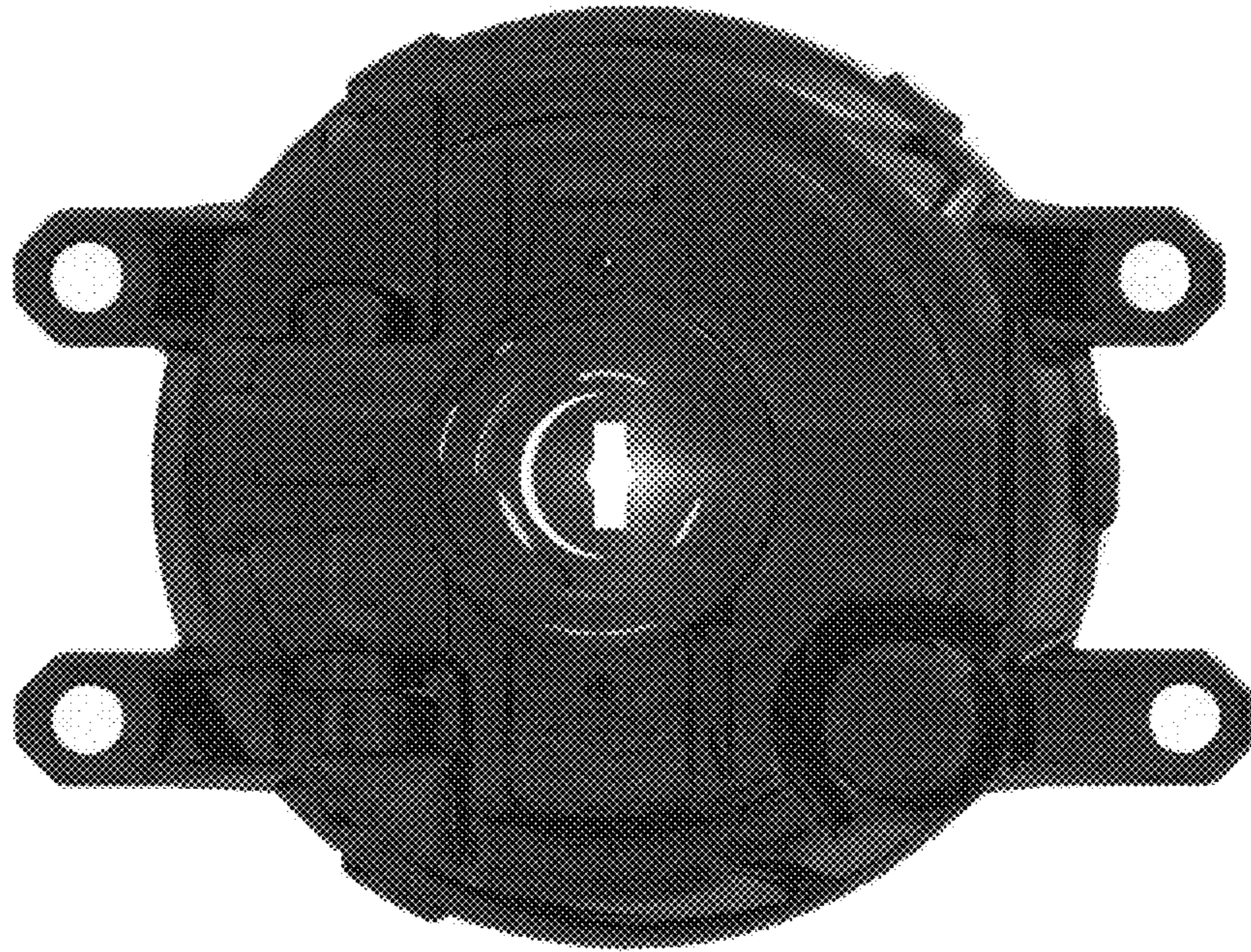


Fig. 8

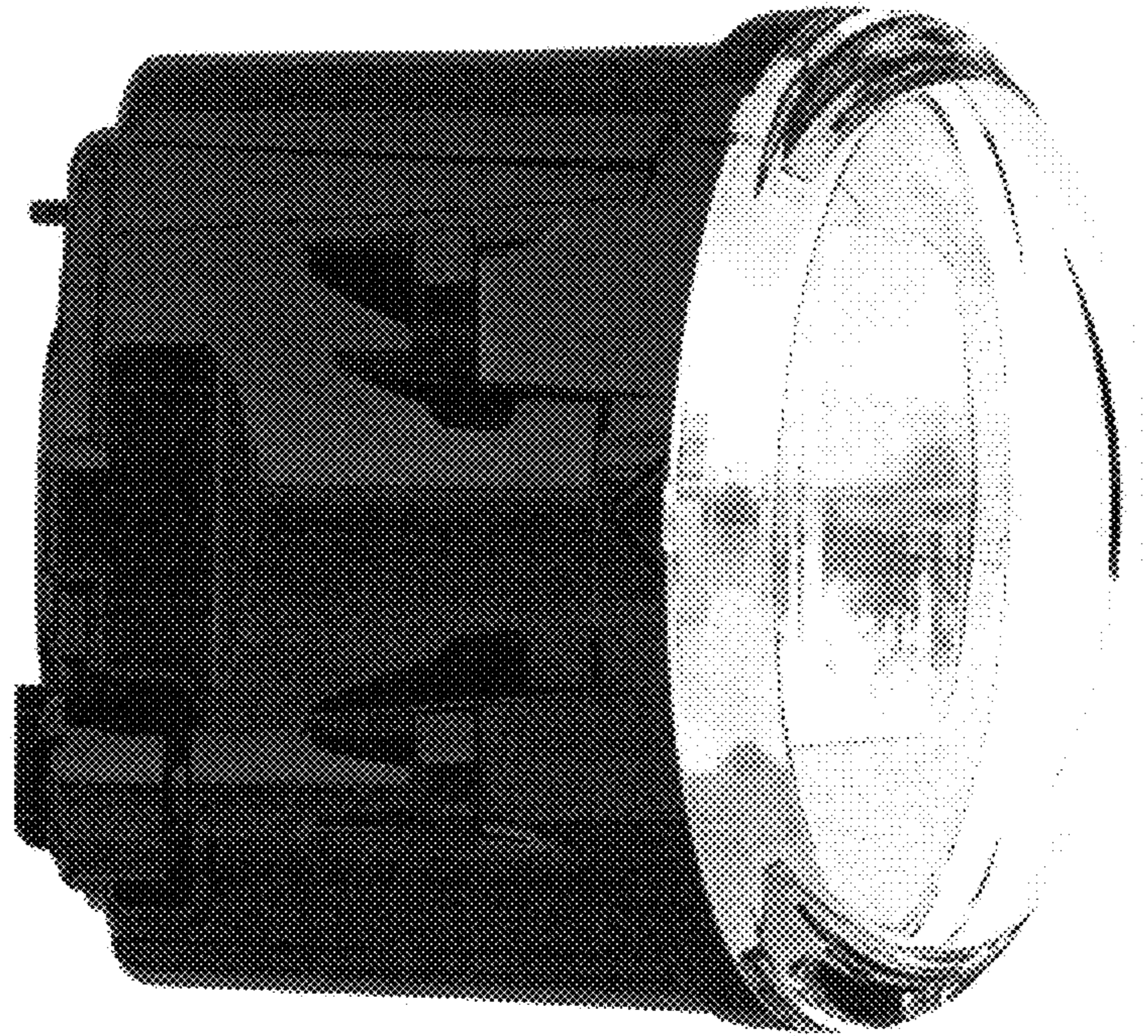


Fig. 9