



US00D670010S

(12) **United States Design Patent**
Lin

(10) **Patent No.:** **US D670,010 S**
(45) **Date of Patent:** **** Oct. 30, 2012**

(54) **LIGHT EMITTING DIODE**

(75) Inventor: **Jung-Chiuan Lin**, Tucheng (TW)

(73) Assignee: **Everlight Electronics Co., Ltd.**, New Taipei (TW)

(**) Term: **14 Years**

(21) Appl. No.: **29/383,769**

(22) Filed: **Jan. 21, 2011**

(30) **Foreign Application Priority Data**

Jul. 23, 2010 (TW) 99303623

(51) **LOC (9) Cl.** **26-04**

(52) **U.S. Cl.** **D26/1; D13/180**

(58) **Field of Classification Search** D26/1;
D13/180; 362/182-184, 194, 641-642, 655-656;
257/98

See application file for complete search history.

(56) **References Cited**

U.S. PATENT DOCUMENTS

3,760,237	A *	9/1973	Jaffe	257/98
5,722,760	A	3/1998	Chien		
6,061,160	A	5/2000	Maruyama		
6,153,894	A	11/2000	Udagawa		
6,770,498	B2	8/2004	Hsu		
6,936,855	B1	8/2005	Harrah		
D517,027	S	3/2006	Suenaga		
7,211,835	B2	5/2007	Ono		
7,224,000	B2	5/2007	Aanegola et al.		
D572,670	S	7/2008	Ono et al.		
D576,574	S	9/2008	Kobayakawa		
D578,226	S	10/2008	West et al.		
D578,671	S	10/2008	Kanayama et al.		
7,547,924	B1	6/2009	Lin		
D598,871	S	8/2009	Eberle et al.		
7,626,250	B2	12/2009	Lee et al.		
7,631,986	B2	12/2009	Harrah		
D615,504	S	5/2010	Keller et al.		
D618,636	S	6/2010	Hsieh		
D656,906	S *	4/2012	Leung	D13/180

D662,902	S *	7/2012	Shieh et al.	D13/180
2004/0079957	A1	4/2004	Andrews		
2004/0126913	A1	7/2004	Loh		
2004/0201987	A1	10/2004	Omata		
2006/0108594	A1	5/2006	Iwasaki		
2006/0131600	A1	6/2006	Nakaoka		
2006/0267036	A1	11/2006	Lee		
2007/0205419	A1	9/2007	Ono		
2008/0054280	A1	3/2008	Reginelli et al.		
2008/0054286	A1	3/2008	Loh		
2009/0108281	A1	4/2009	Keller et al.		
2009/0122514	A1	5/2009	Yoon et al.		
2009/0166655	A1	7/2009	Lin		
2009/0242915	A1	10/2009	Chang Chien et al.		
2009/0278153	A1	11/2009	Cho		
2009/0283779	A1	11/2009	Negley et al.		

FOREIGN PATENT DOCUMENTS

CN	300935517	6/2009
CN	300942206	6/2009
CN	300951410	7/2009
CN	300951411	7/2009
CN	300951412	7/2009

(Continued)

Primary Examiner — Marcus Jackson

(74) *Attorney, Agent, or Firm* — Thomas, Kayden, Horstemeyer & Risley, LLP

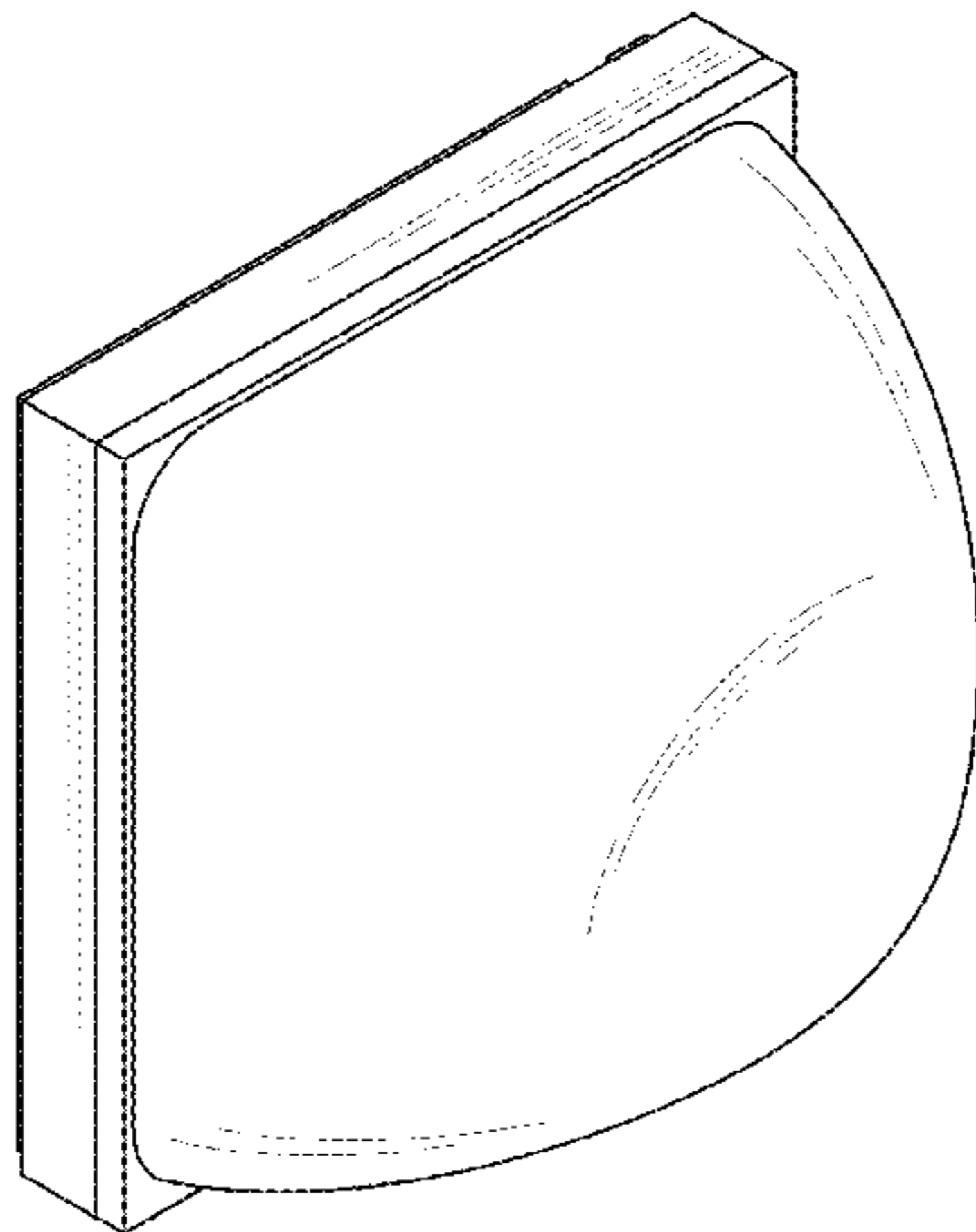
(57) **CLAIM**

The ornamental design for a light emitting diode, as shown and described.

DESCRIPTION

FIG. 1 is a perspective view of a light emitting diode showing the claimed design;
FIG. 2 is a front elevational view thereof;
FIG. 3 is a rear elevational view thereof;
FIG. 4 is a left side elevational view thereof;
FIG. 5 is a right side elevational view thereof;
FIG. 6 is a top plan view thereof; and,
FIG. 7 is a bottom plan view thereof.
The dome-like light transmissible portion of the design is made of light transmissible material.

1 Claim, 4 Drawing Sheets



US D670,010 S

Page 2

FOREIGN PATENT DOCUMENTS					
			KR	3004142670000	5/2006
			KR	3004438500000	3/2007
			KR	3004438500003	6/2007
			TW	D110147	4/2006
			TW	D123860	7/2008
			TW	D124992	9/2008
			TW	D128141	4/2009
			* cited by examiner		
DE	402008001869	7/2008			
JP	1284046	10/2006			
JP	1298733	4/2007			
JP	D1308765	8/2007			
JP	D1349725	1/2009			
JP	1353072	3/2009			
JP	D1363307	6/2009			
JP	D1363680	6/2009			

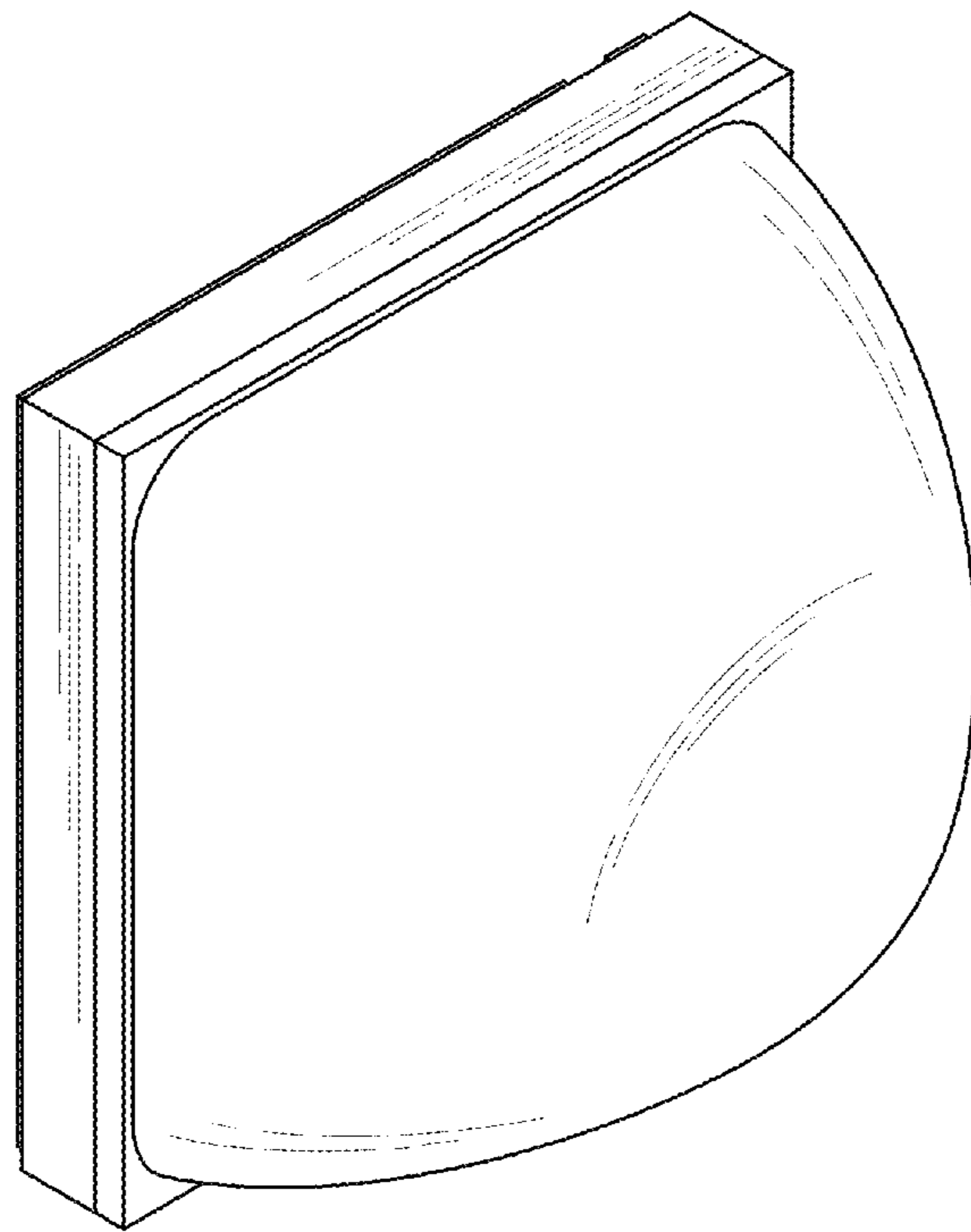


FIG. 1

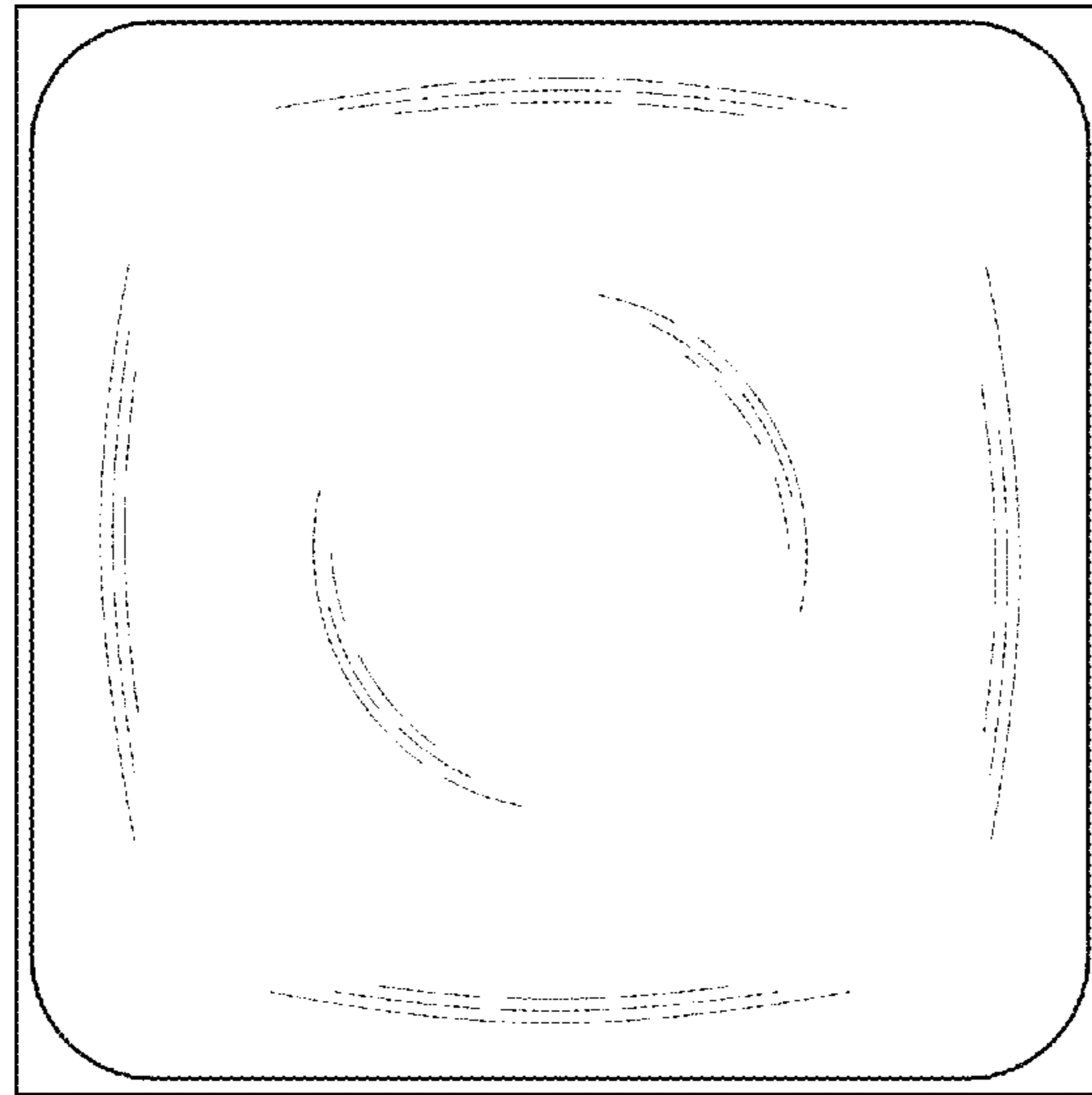


FIG. 2

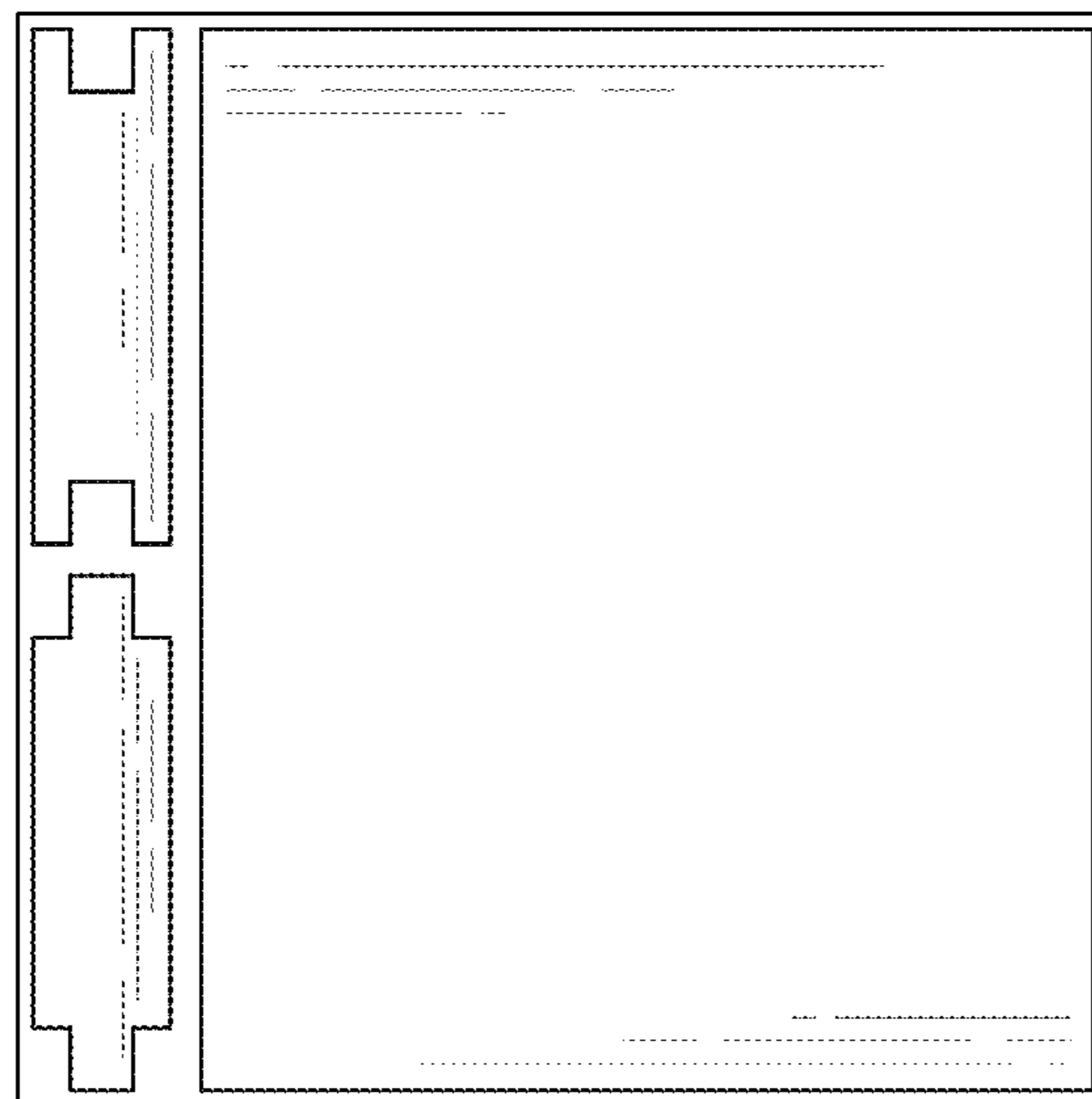


FIG. 3

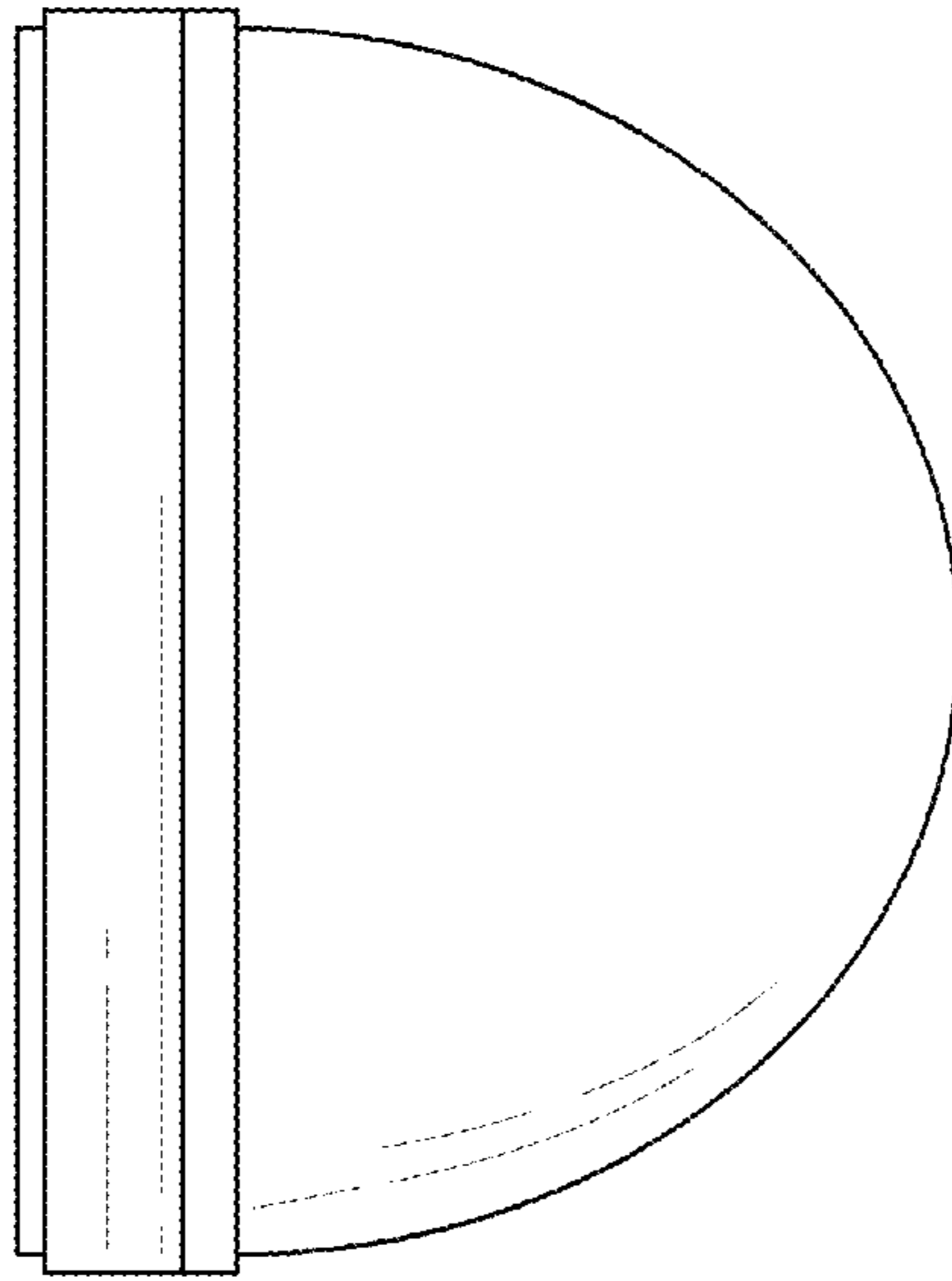


FIG. 4

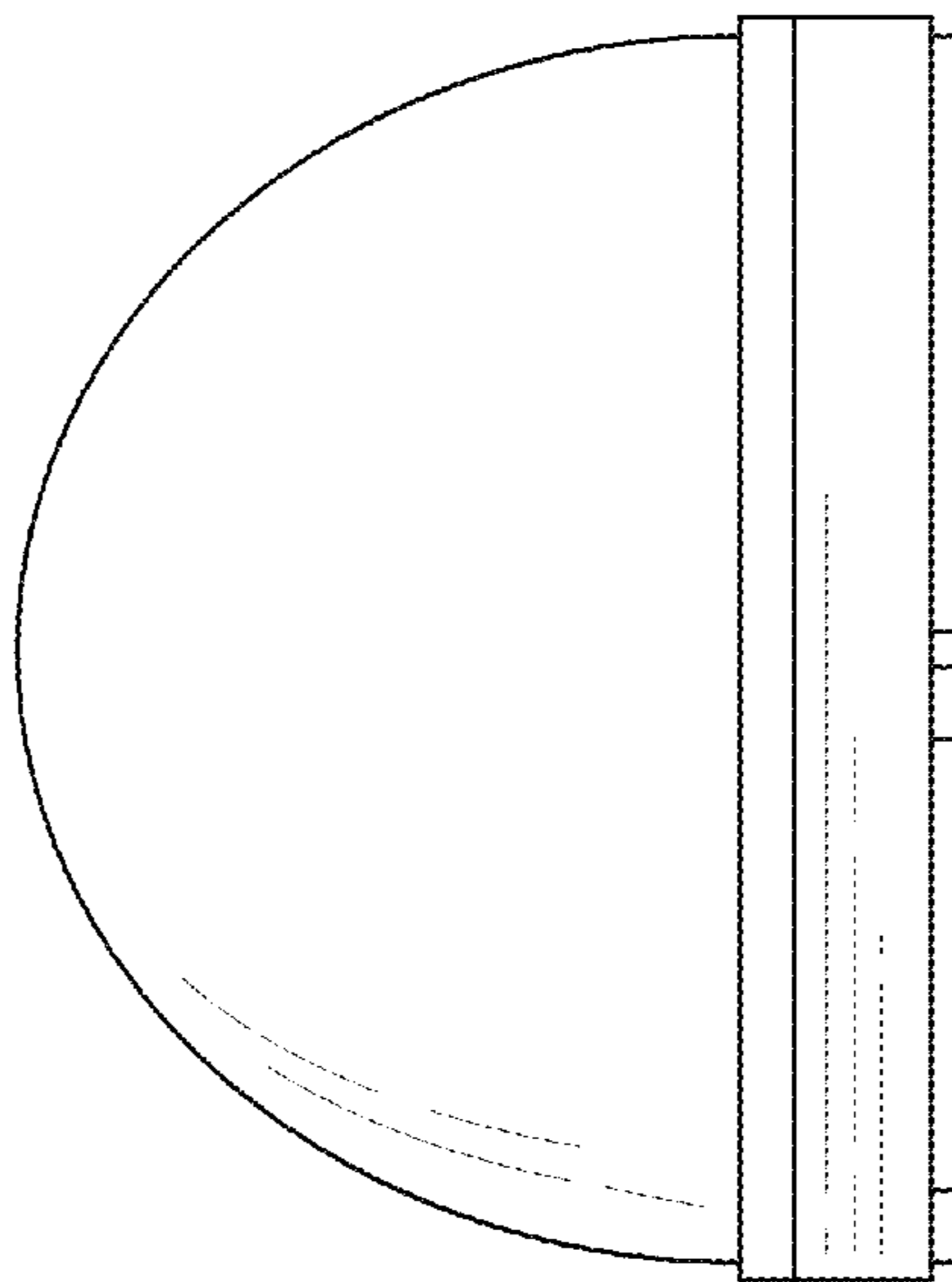


FIG. 5

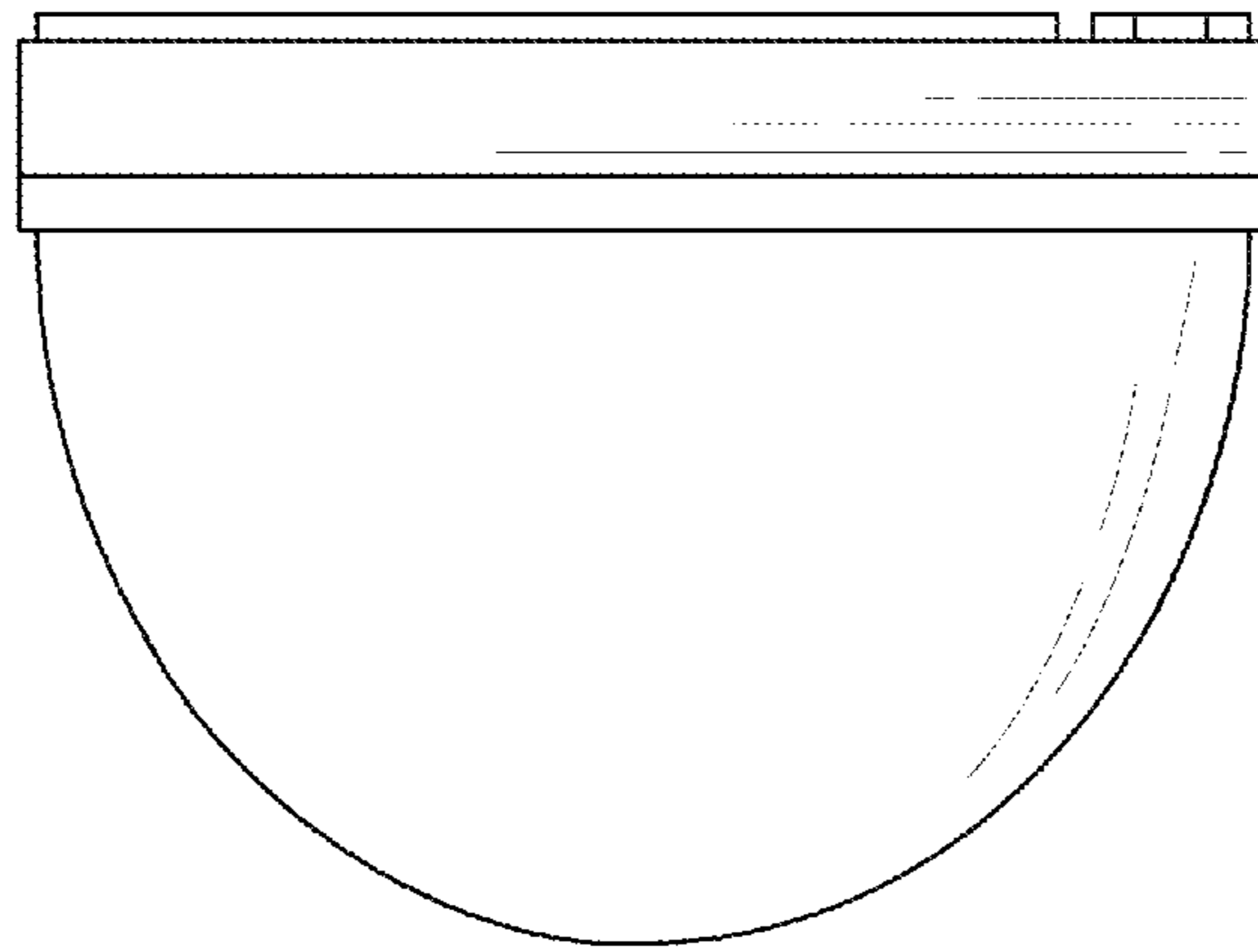


FIG. 6

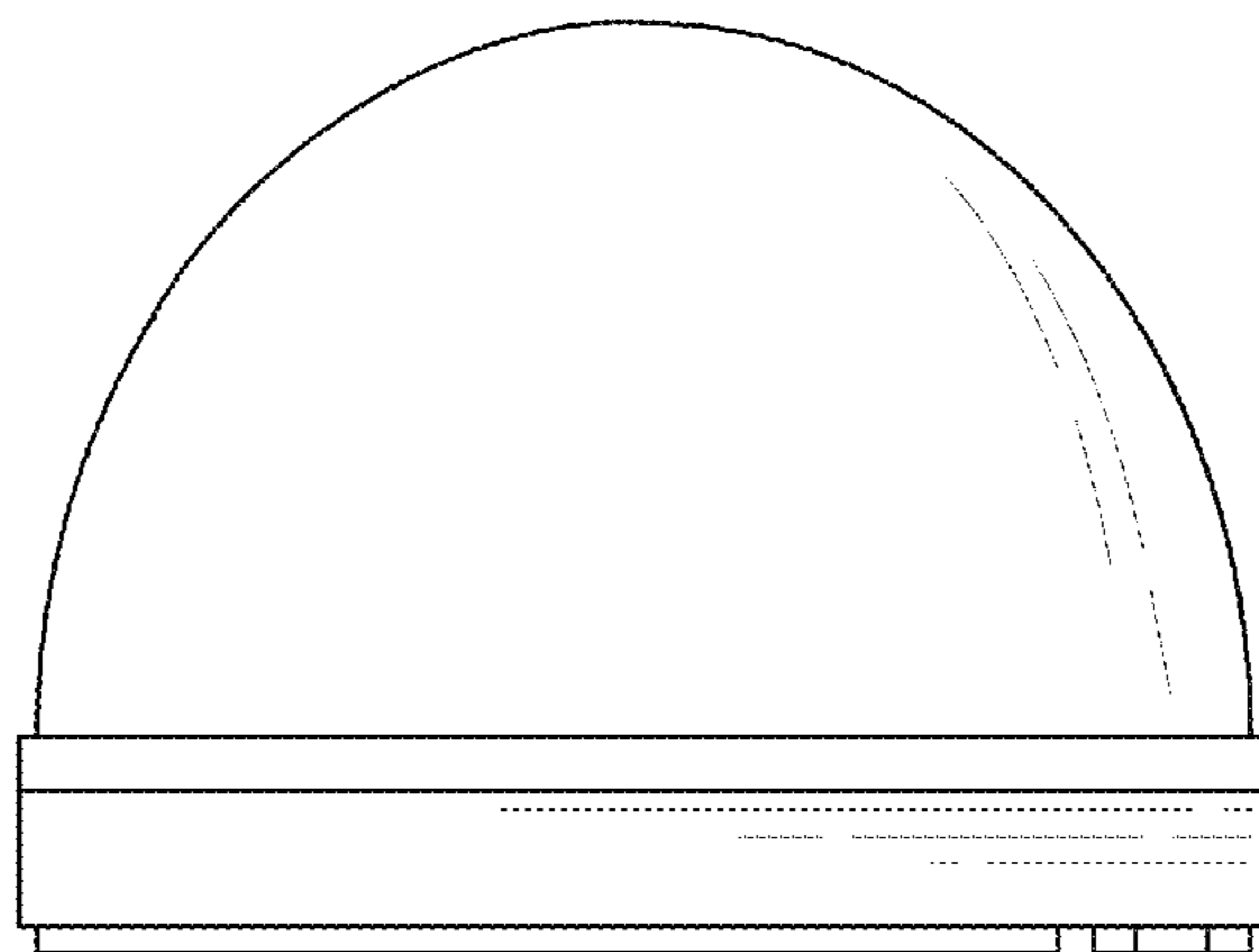


FIG. 7