



US00D670009S

(12) **United States Design Patent**  
**Buoni**

(10) **Patent No.:** **US D670,009 S**  
(45) **Date of Patent:** **\*\* Oct. 30, 2012**

(54) **TRIM KIT FOR BUILDING CONSTRUCTION**

(75) Inventor: **Wayne J. Buoni**, New Albany, OH (US)

(73) Assignee: **Boral Stone Products LLC**, Roswell, GA (US)

(\*\*) Term: **14 Years**

(21) Appl. No.: **29/383,427**

(22) Filed: **Jan. 18, 2011**

(51) **LOC (9) Cl.** ..... **25-01**

(52) **U.S. Cl.** ..... **D25/151**

(58) **Field of Classification Search** ..... D25/138,  
D25/151, 58; 52/262, 266, 267, 270, 272,  
52/311.2, 314, 223.6, 223.7, 574, 578, 588.1,  
52/605, 800.1, 415, 434, 435, 169.12; 428/49  
See application file for complete search history.

(56) **References Cited**

**U.S. PATENT DOCUMENTS**

D22,795 S \* 9/1893 Miller ..... D25/151  
(Continued)

**FOREIGN PATENT DOCUMENTS**

JP 200226926 8/2000  
(Continued)

*Primary Examiner* — Doris Clark

(74) *Attorney, Agent, or Firm* — Alston + Bird LLP

(57) **CLAIM**

I claim the ornamental design for a trim kit for building construction, as shown and described.

**DESCRIPTION**

FIG. 1 is a front perspective view of a trim kit for building construction according to a first embodiment of the present design;

FIG. 2 is a front elevation view of the trim kit for building construction shown in FIG. 1;

FIG. 3 is a top plan view of the trim kit for building construction shown in FIG. 1;

FIG. 4 is a bottom plan view of the trim kit for building construction shown in FIG. 1;

FIG. 5 is a right end elevation view of the trim kit for building construction shown in FIG. 1;

FIG. 6 is a left end elevation view of the trim kit for building construction shown in FIG. 1;

FIG. 7 is a front perspective view of a trim kit for building construction according to a second embodiment of the present design;

FIG. 8 is a front elevation view of the trim kit for building construction shown in FIG. 7;

FIG. 9 is a top plan view of the trim kit for building construction shown in FIG. 7;

FIG. 10 is a bottom plan view of the trim kit for building construction shown in FIG. 7;

FIG. 11 is a right end elevation view of the trim kit for building construction shown in FIG. 7;

FIG. 12 is a left end elevation view of the trim kit for building construction shown in FIG. 7;

FIG. 13 is a front perspective view of a trim kit for building construction according to a third embodiment of the present design, which is similar to the six paneled design shown in FIG. 1, but is different only in that it includes five panels;

FIG. 14 is a front perspective view of a trim kit for building construction according to a fourth embodiment of the present design, which is similar to the six paneled design shown in FIG. 7, but is different only in that it includes five panels;

FIG. 15 is a front perspective view of a trim kit for building construction according to a fifth embodiment of the present design, which is similar to the six paneled design shown in FIG. 1, but is different only in that it includes four panels;

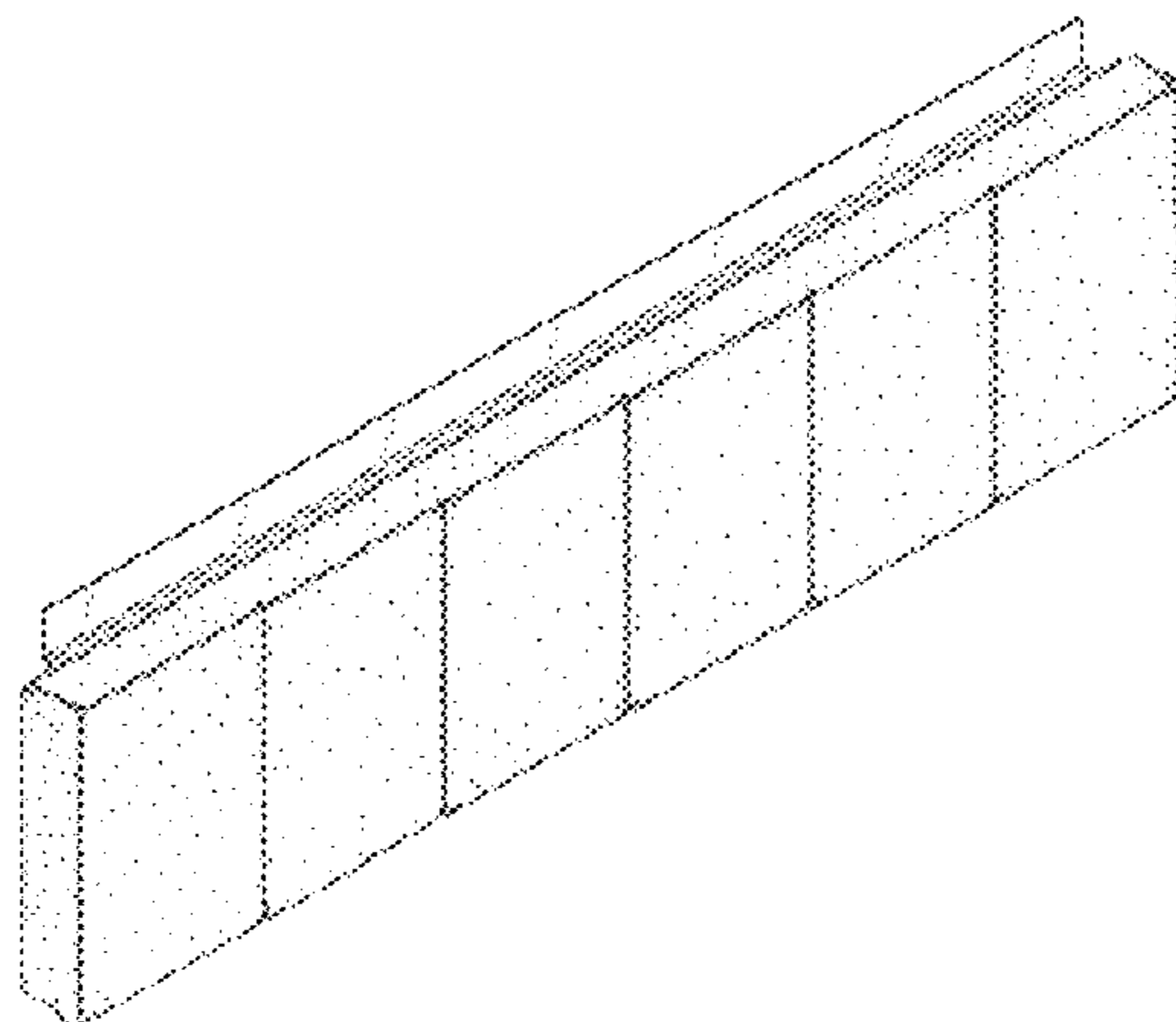
FIG. 16 is a front perspective view of a trim kit for building construction according to a sixth embodiment of the present design, which is similar to the six paneled design shown in FIG. 7, but is different only in that it includes four panels;

FIG. 17 is a front perspective view of a trim kit for building construction according to a seventh embodiment of the present design, which is similar to the six paneled design shown in FIG. 1, but is different only in that it includes three panels; and,

FIG. 18 is a front perspective view of a trim kit for building construction according to an eighth embodiment of the present design, which is similar to the six paneled design shown in FIG. 7, but is different only in that it includes three panels.

The stippling in FIGS. 1-6 is provided to illustrate textured surfaces, while FIGS. 7-12 contain no stippling.

**1 Claim, 12 Drawing Sheets**



# US D670,009 S

## U.S. PATENT DOCUMENTS

897,353	A	9/1908	Culley	
1,276,894	A	8/1918	Flanders	
1,859,539	A	5/1932	Slidell	
1,872,522	A	8/1932	Stuckey	
2,115,172	A *	4/1938	Kirschbraun .....	52/519
2,182,523	A	12/1939	Markowski et al.	
2,241,898	A *	5/1941	Bawtenheimer .....	52/747.12
2,317,428	A	4/1943	Anderson	
2,884,780	A	5/1959	Ramirez	
3,131,514	A	5/1964	Siek	
3,142,938	A	8/1964	Eberhardt	
3,217,453	A *	11/1965	Medow .....	52/314
3,350,827	A	11/1967	Sugar et al.	
3,524,790	A	8/1970	Mason	
3,613,326	A	10/1971	Mollman	
3,646,715	A	3/1972	Pope	
3,754,365	A	8/1973	Carrick et al.	
3,868,801	A	3/1975	Weiner	
3,899,344	A	8/1975	Jakel	
3,905,170	A	9/1975	Huettemann	
3,968,610	A	7/1976	Medow	
4,191,521	A	3/1980	Muldery et al.	
4,241,554	A	12/1980	Infantino	
4,299,069	A	11/1981	Neumann	
4,349,588	A	9/1982	Schiffer	
4,407,104	A	10/1983	Francis	
4,553,366	A	11/1985	Guerin	
4,589,241	A	5/1986	Volpenhein	
4,638,617	A	1/1987	James	
4,655,719	A	4/1987	Sunray	
4,665,673	A	5/1987	Diana	
4,669,238	A	6/1987	Kellis et al.	
5,042,215	A	8/1991	Cremer et al.	
5,172,532	A	12/1992	Gibbar, Jr.	
5,228,249	A	7/1993	Campbell	
5,271,878	A	12/1993	Mizia et al.	
5,373,676	A	12/1994	Francis et al.	
5,379,561	A	1/1995	Saito	
5,398,473	A	3/1995	Chan	
5,515,659	A	5/1996	MacDonald et al.	
5,557,897	A	9/1996	Kranz et al.	
5,570,551	A *	11/1996	Koc et al. ....	52/314
5,634,305	A	6/1997	Erlanger	
5,673,529	A	10/1997	Treister et al.	
5,715,637	A	2/1998	Hesterman et al.	
5,787,666	A	8/1998	Sherry	
5,819,486	A	10/1998	Goodings	
5,833,895	A	11/1998	Di Loreto	
5,857,303	A	1/1999	Beck et al.	
5,878,543	A	3/1999	Mowery	
5,966,886	A	10/1999	Di Loreto	
6,029,418	A	2/2000	Wright	
6,050,037	A	4/2000	Gifford	
6,134,855	A	10/2000	Beck	
6,164,029	A	12/2000	Lee	
6,240,691	B1	6/2001	Holzkaemper et al.	
6,244,009	B1	6/2001	Cerrato	

6,253,511	B1	7/2001	Boyer	
6,253,515	B1	7/2001	Kuelker	
6,315,489	B1	11/2001	Watanabe	
6,324,807	B1	12/2001	Ishiko	
6,355,193	B1	3/2002	Stott	
6,467,229	B2	10/2002	Azar	
6,516,578	B1	2/2003	Hunsaker	
6,701,683	B2	3/2004	Messenger et al.	
6,729,090	B2	5/2004	Messenger et al.	
6,792,727	B2	9/2004	Krieger	
6,802,165	B1	10/2004	Passeno	
6,830,405	B2	12/2004	Watanabe	
6,898,908	B2	5/2005	Messenger et al.	
6,904,780	B2	6/2005	Bullinger et al.	
D510,146	S	9/2005	Attebery, II et al.	
6,951,086	B2	10/2005	Passeno	
6,968,659	B2	11/2005	Boyer	
6,973,756	B2	12/2005	Hatzinikolas	
6,990,778	B2	1/2006	Passeno	
RE39,091	E	5/2006	Kuelker	
7,096,629	B1	8/2006	Cox	
D621,530	S *	8/2010	Sawyer .....	D25/138
D621,967	S *	8/2010	King .....	D25/151
2003/0066259	A1	4/2003	Sudweeks	
2004/0006943	A1	1/2004	Weick	
2005/0005556	A1	1/2005	Collier et al.	
2005/0204666	A1	9/2005	Passeno	
2005/0210811	A1	9/2005	Nasvik	
2005/0252144	A1	11/2005	MacDonald et al.	
2005/0257475	A1	11/2005	Gong et al.	
2006/0053743	A1	3/2006	Hatzinikolas	
2006/0075712	A1	4/2006	Gilbert et al.	
2006/0156668	A1	7/2006	Nasvik	
2006/0265988	A1	11/2006	Fujito	
2007/0137127	A1	6/2007	Lincoln	
2007/0137128	A1	6/2007	Viau et al.	
2007/0144087	A1	6/2007	Heath et al.	
2007/0151190	A1	7/2007	Huff et al.	
2007/0175159	A1	8/2007	Minitier	
2007/0209308	A1	9/2007	Barrett	
2007/0227087	A1	10/2007	Nasr et al.	
2008/0005994	A1	1/2008	Harney	
2008/0028711	A1	2/2008	Logan et al.	
2008/0110116	A1	5/2008	Brown et al.	
2008/0115435	A1	5/2008	Riviere	
2008/0302050	A1	12/2008	Kalkanoglu	
2008/0313988	A1	12/2008	MacDonald	
2009/0056257	A1	3/2009	Mollinger et al.	
2009/0094914	A1	4/2009	Jambois et al.	
2009/0113837	A1	5/2009	Mickelson	
2009/0193742	A1	8/2009	Wolf et al.	
2009/0249719	A1	10/2009	Broehl et al.	
2009/0304459	A1	12/2009	MacDonald et al.	

## FOREIGN PATENT DOCUMENTS

JP                    200297518                    10/2000

\* cited by examiner

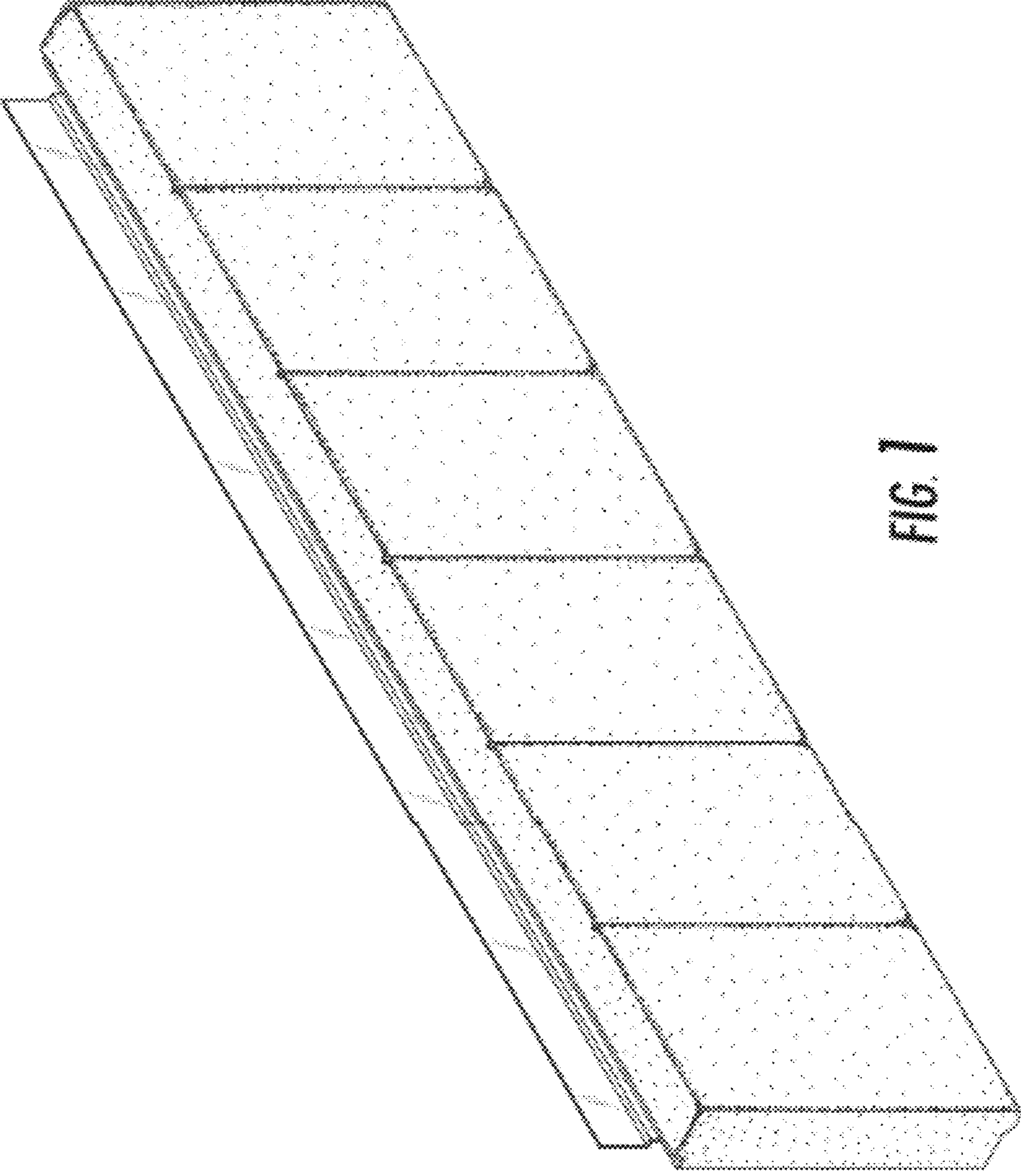


FIG. 1

FIG. 3



FIG. 2

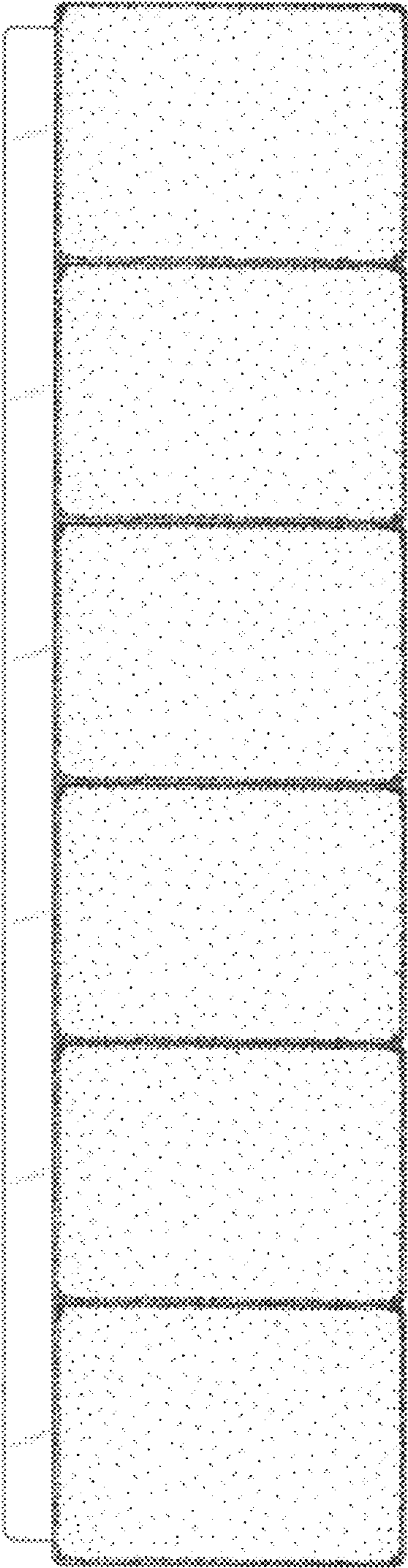


FIG. 4



FIG. 5

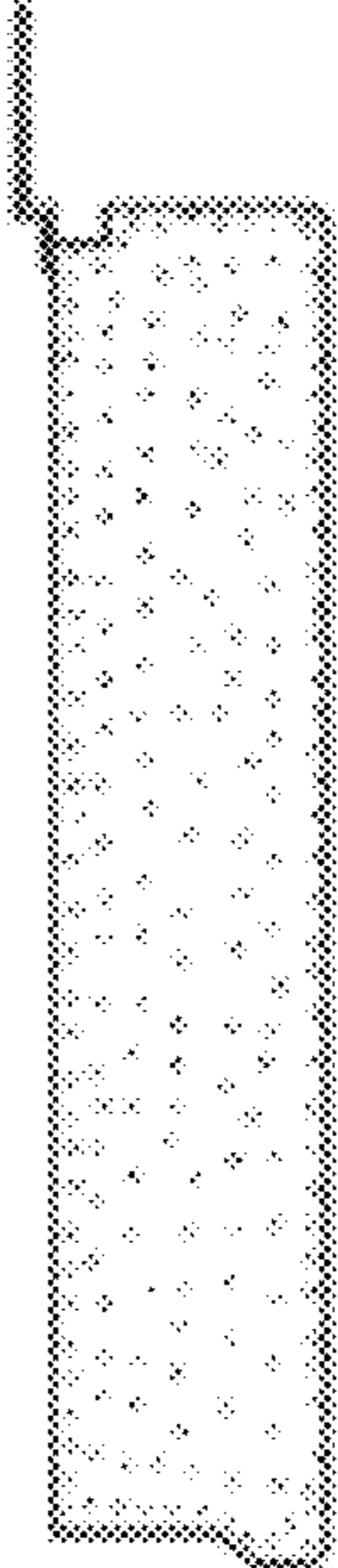
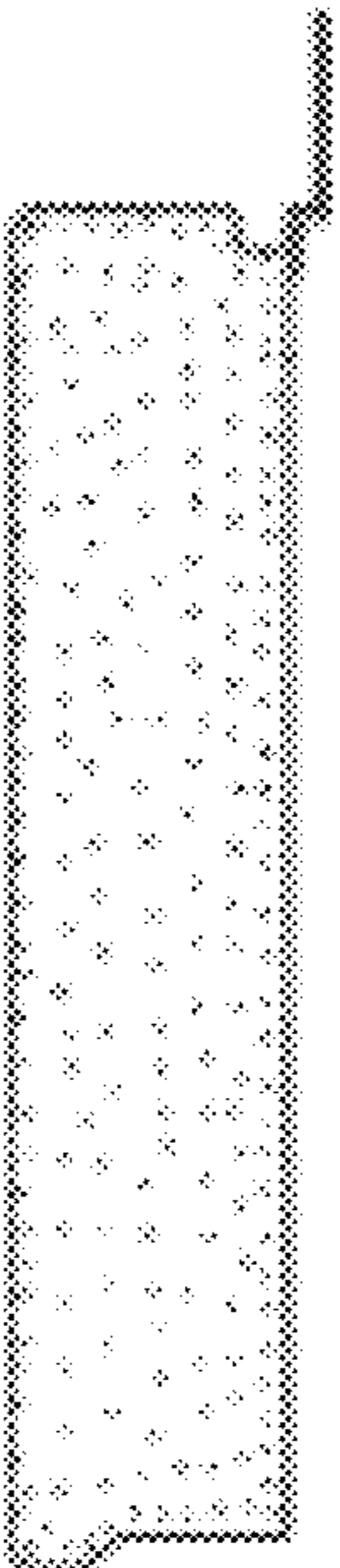


FIG. 6



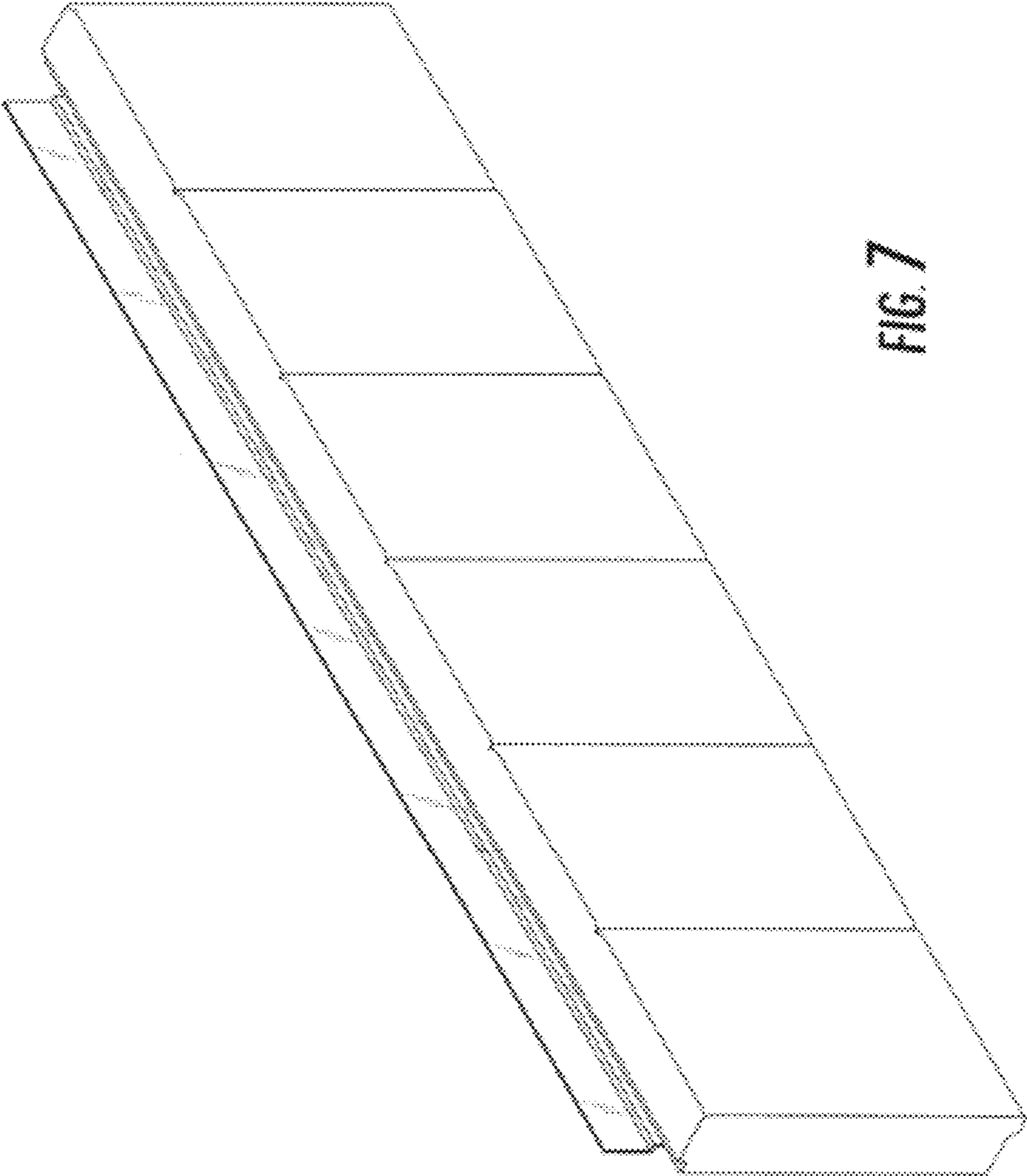


FIG. 7

FIG. 9



FIG. 8

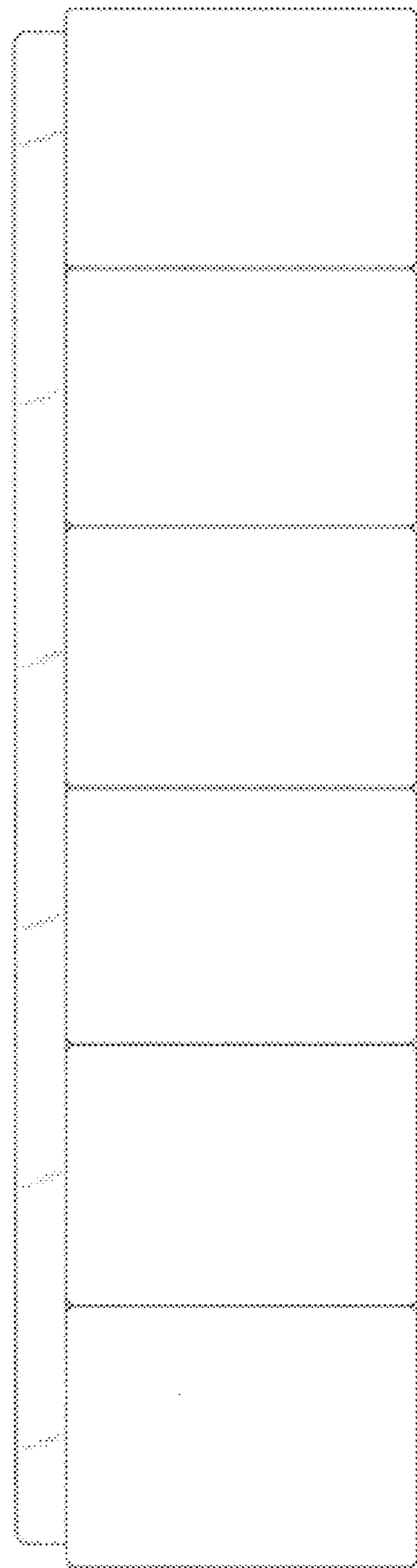
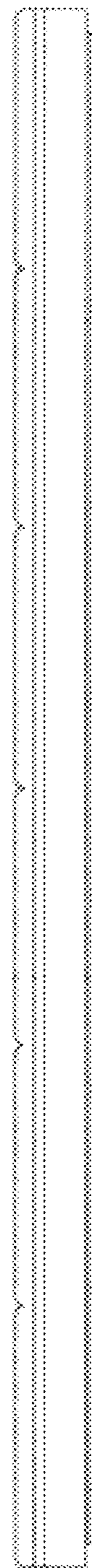


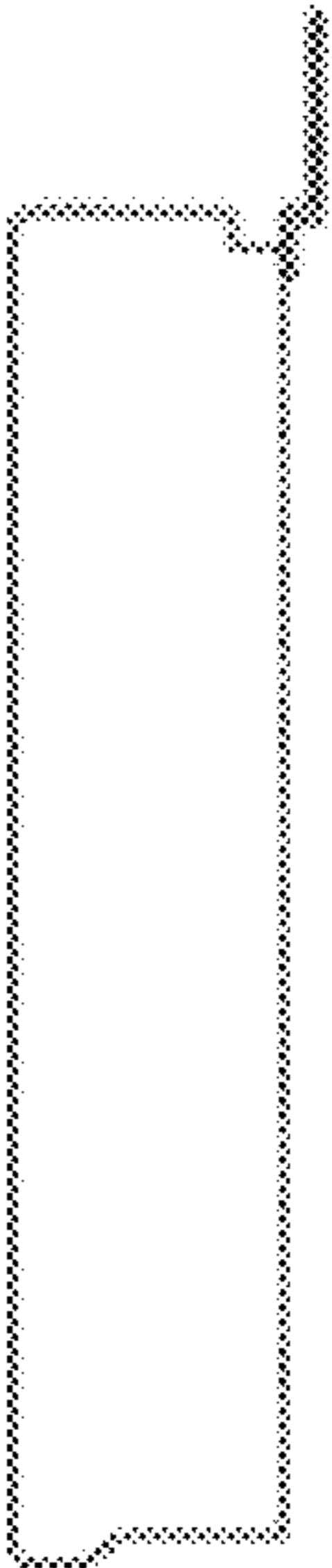
FIG. 10



**FIG. 11**



**FIG. 12**





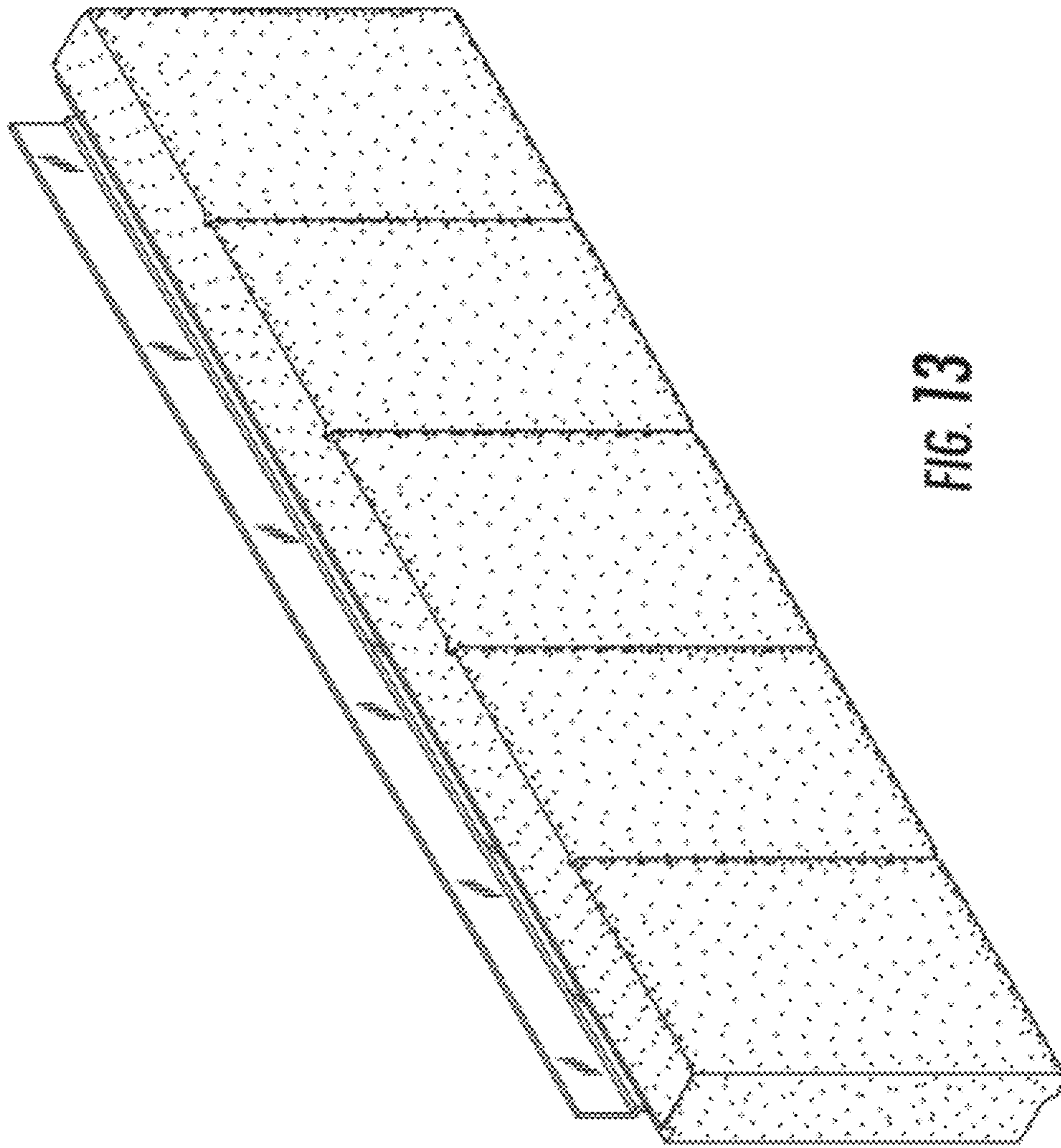


FIG. 13

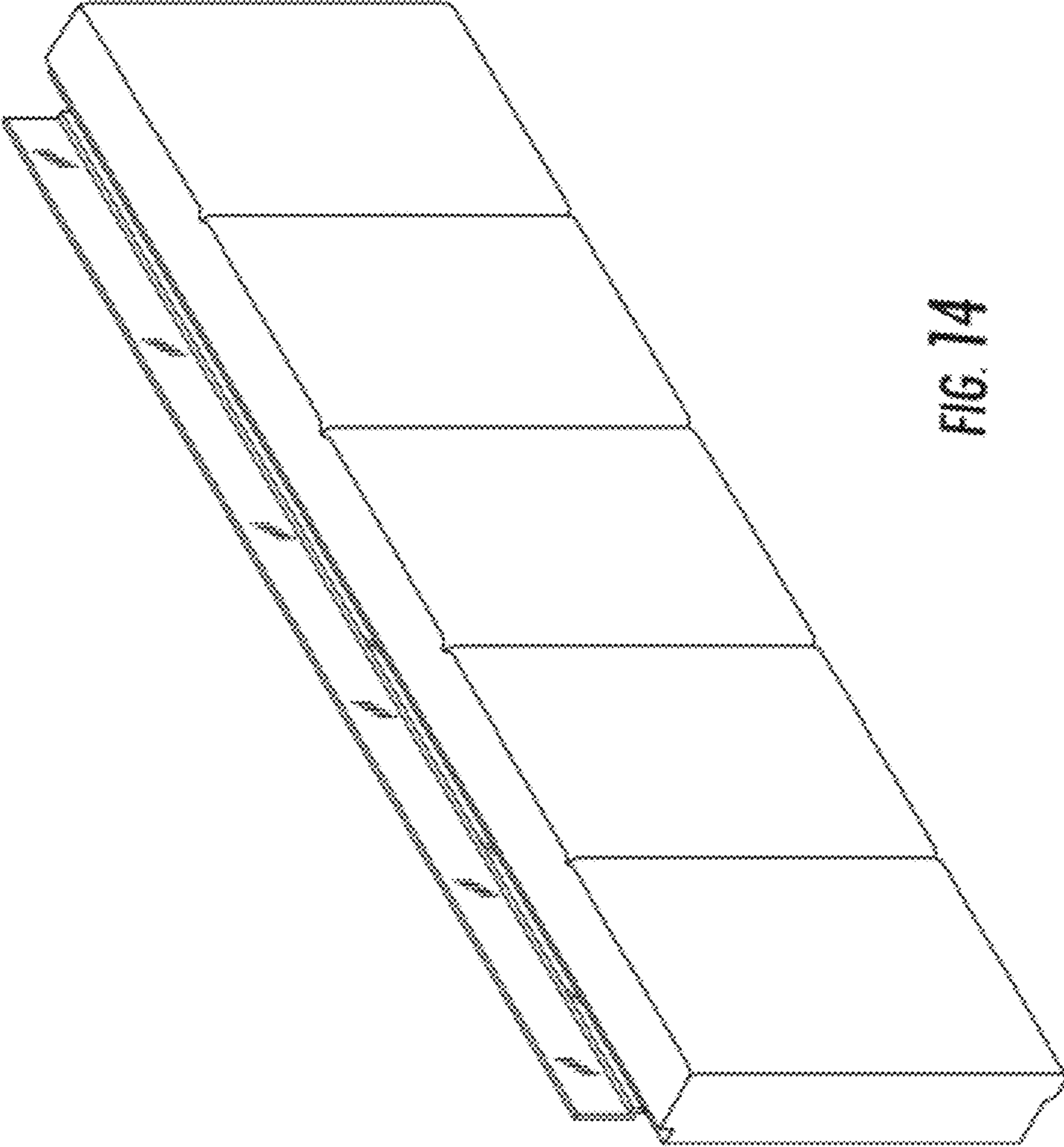


FIG. 14

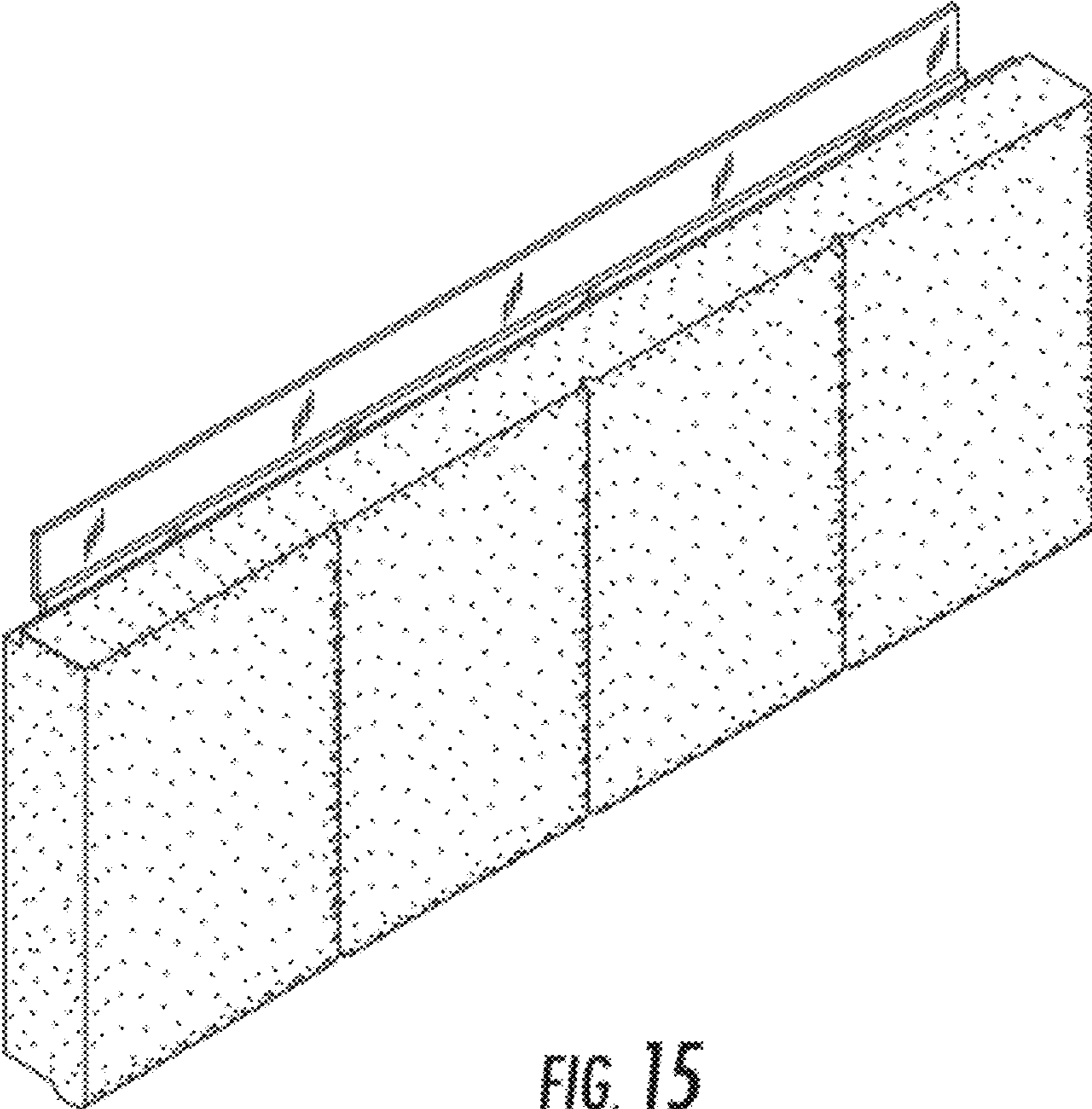


FIG. 15

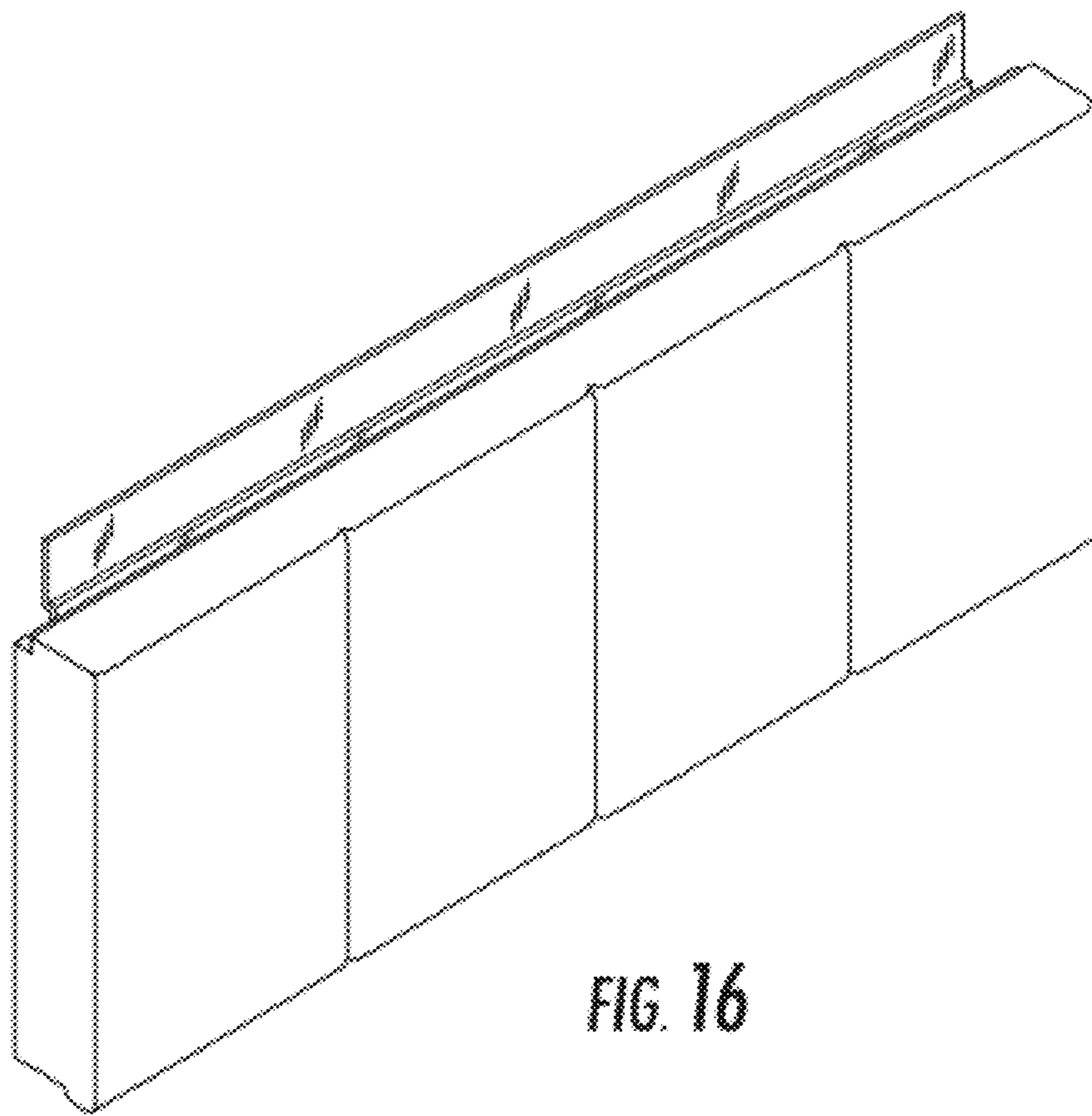


FIG. 16

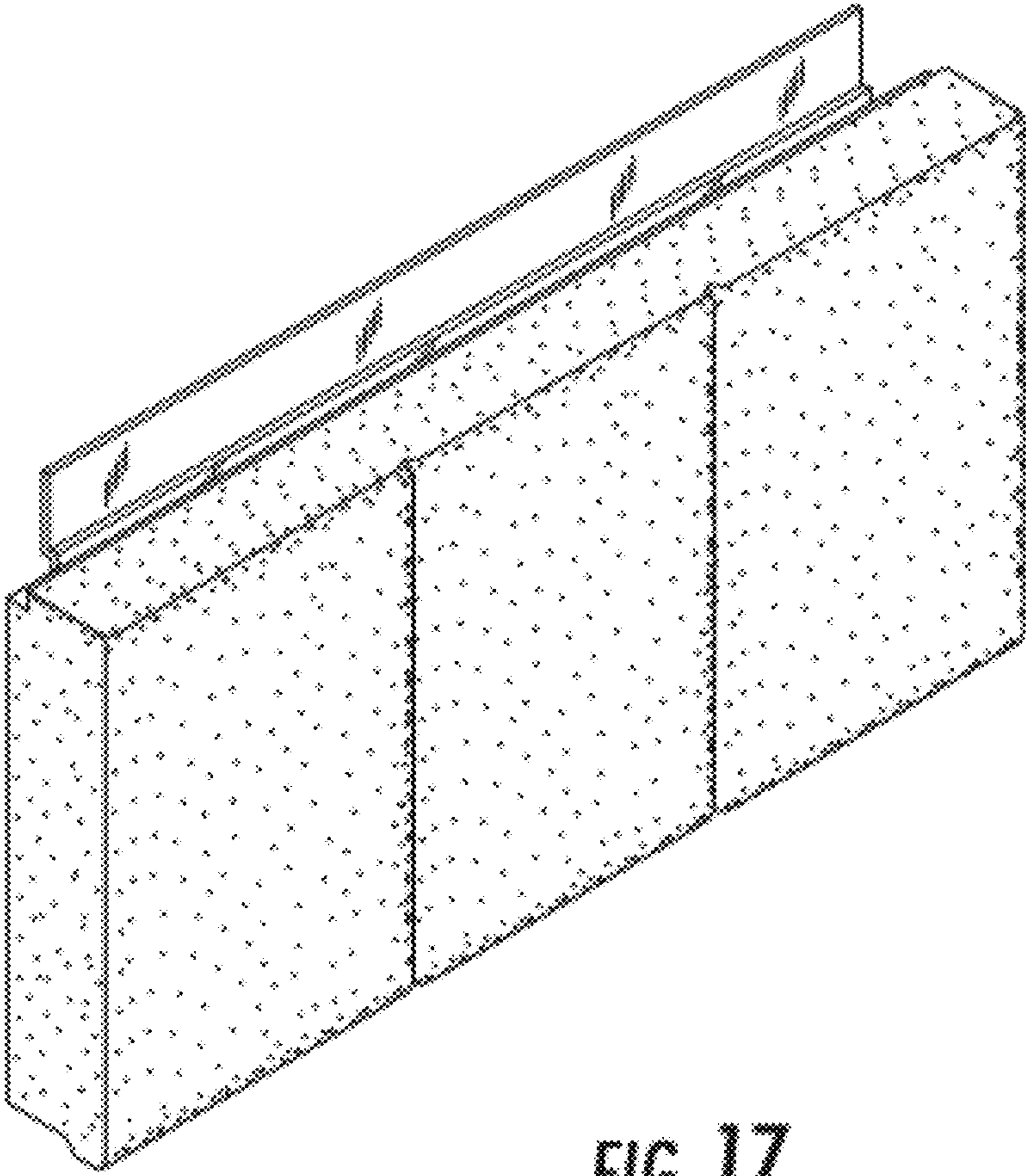


FIG. 17

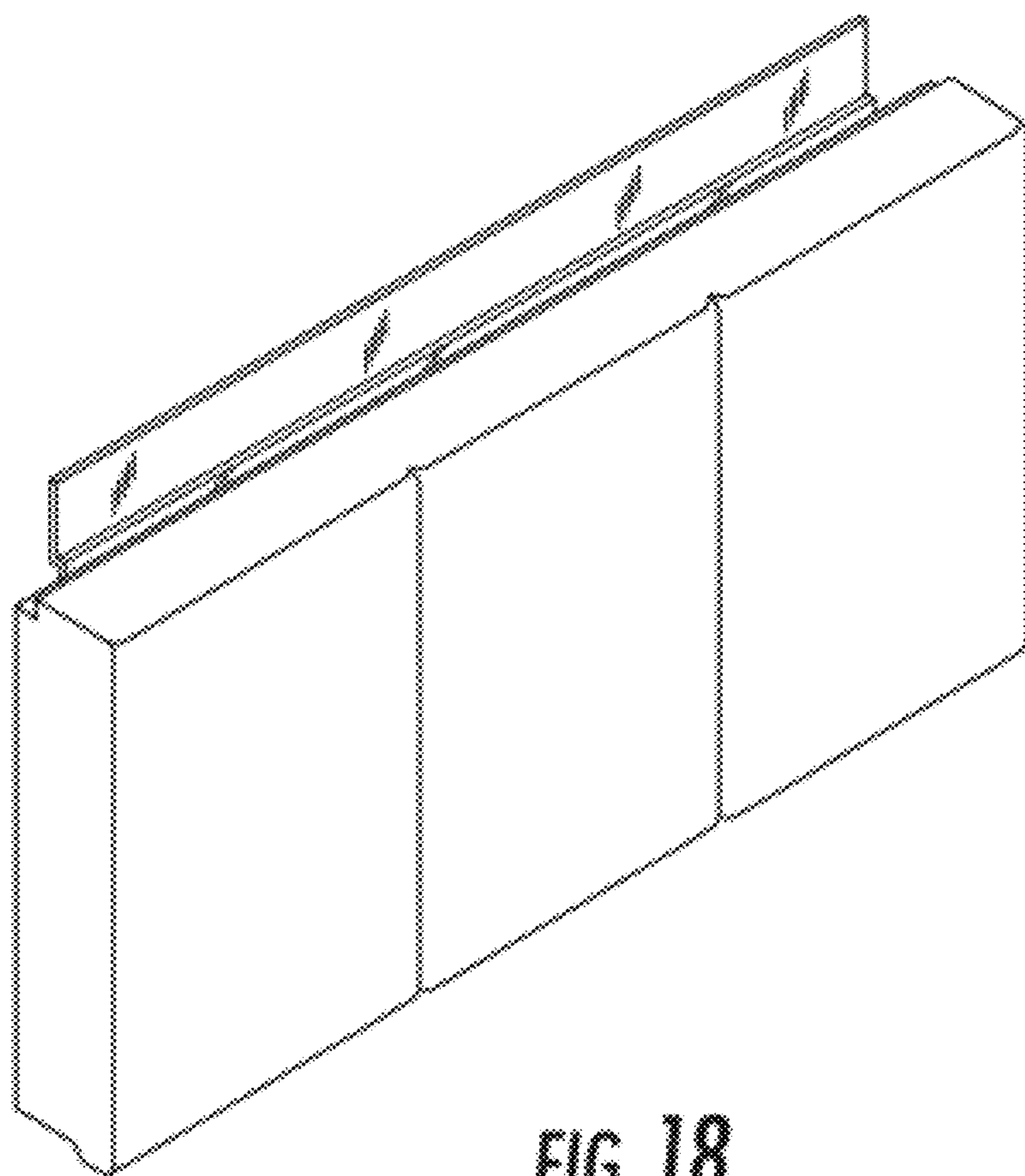


FIG. 18