



US00D670004S

(12) **United States Design Patent**
Nosworthy

(10) **Patent No.:** **US D670,004 S**

(45) **Date of Patent:** **** Oct. 30, 2012**

(54) **LADDER BAR BRACKET**

(76) Inventor: **Dennis Michael Nosworthy**, Coto de Caza, CA (US)

(**) Term: **14 Years**

(21) Appl. No.: **29/383,592**

(22) Filed: **Jan. 19, 2011**

(51) **LOC (9) Cl.** **25-04**

(52) **U.S. Cl.** **D25/68**

(58) **Field of Classification Search** D25/68;
182/107, 108, 109, 112; 248/238, 210
See application file for complete search history.

(56) **References Cited**

U.S. PATENT DOCUMENTS

5,687,941	A *	11/1997	Quintile	248/210
6,044,930	A *	4/2000	Hayman	182/206
6,264,151	B1 *	7/2001	Schiller	248/238
D630,769	S *	1/2011	Capelle	D25/68

* cited by examiner

Primary Examiner — Doris Clark

(74) *Attorney, Agent, or Firm* — Curtis L. Harrington; Harrington & Harrington

(57) **CLAIM**

The ornamental design for a ladder bar bracket, as shown and described.

DESCRIPTION

FIG. 1 is a perspective view of the ladder bar bracket;
FIG. 2 is a front view;
FIG. 3 is a rear view;
FIG. 4 is a top view
FIG. 5 is a bottom view;
FIG. 6 is a right side view; and,
FIG. 7 is a left side view.

1 Claim, 3 Drawing Sheets

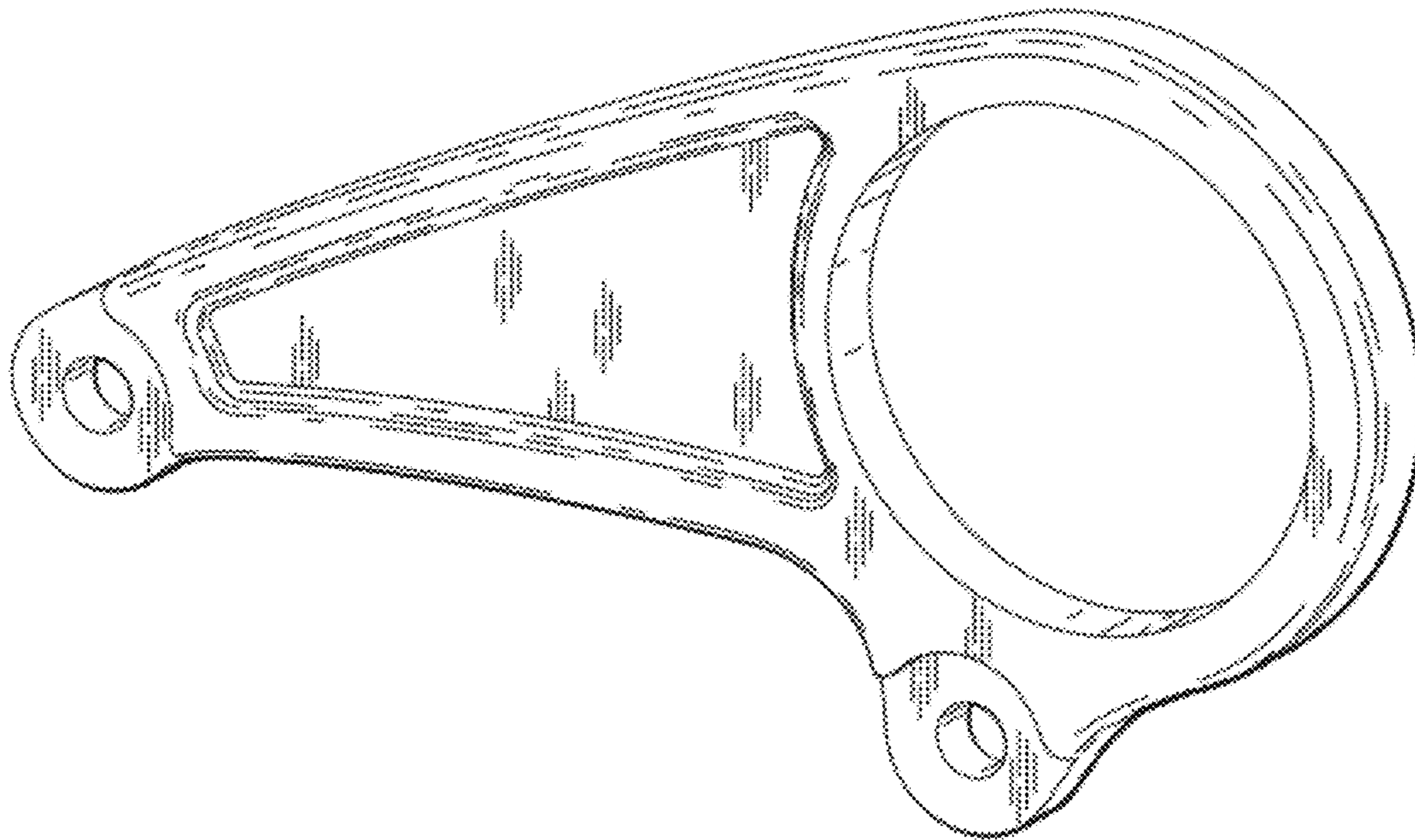


FIG. 1

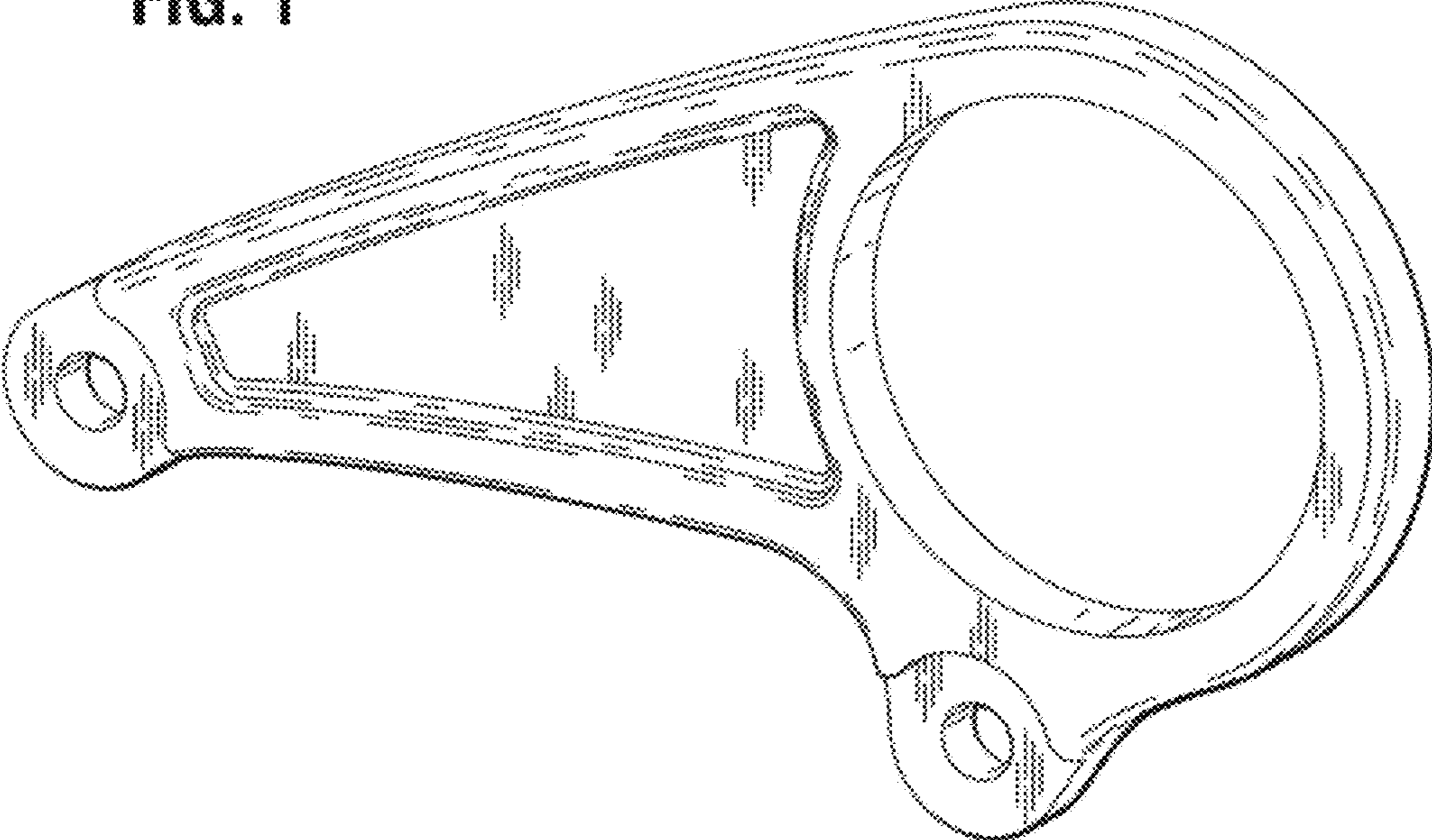
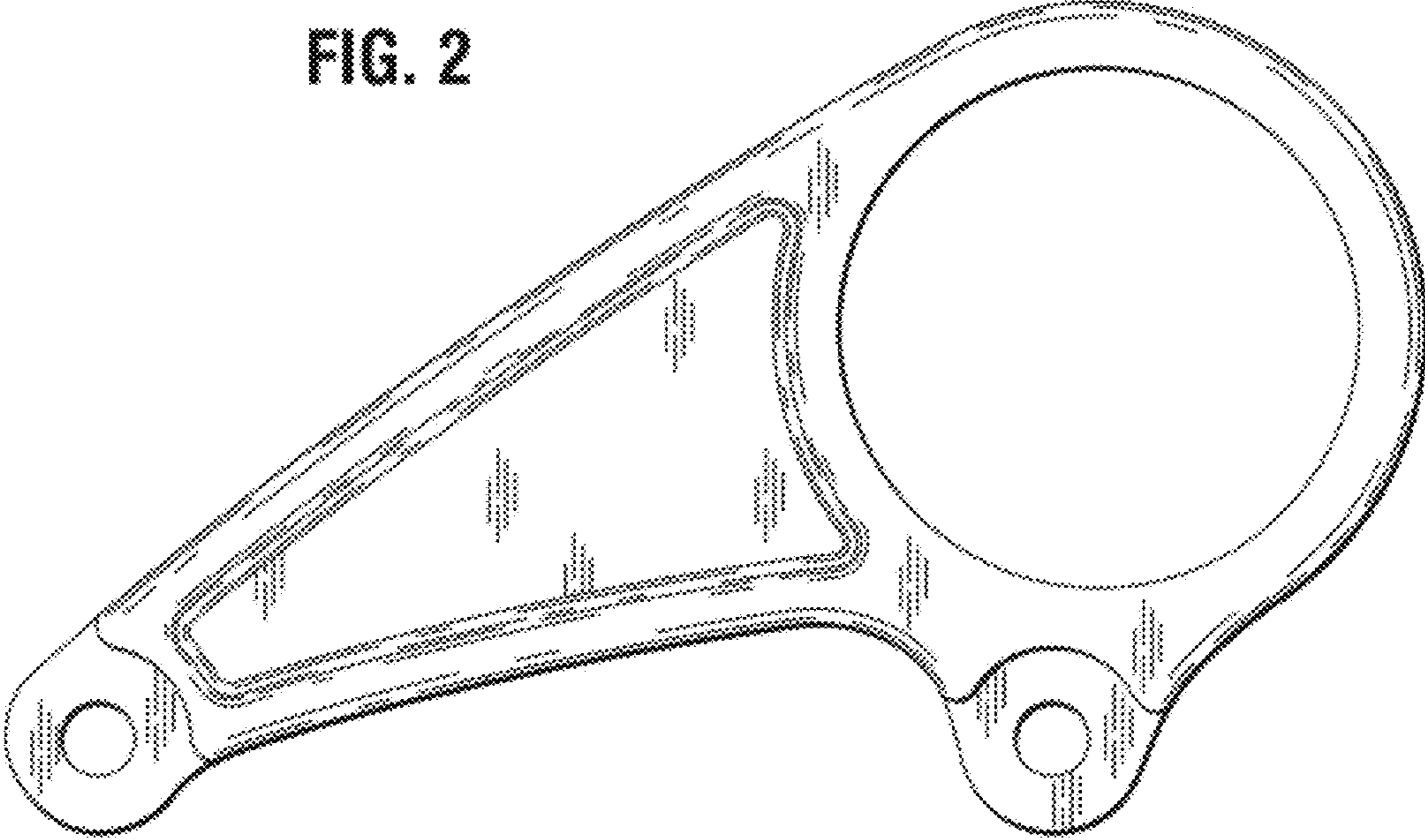


FIG. 2



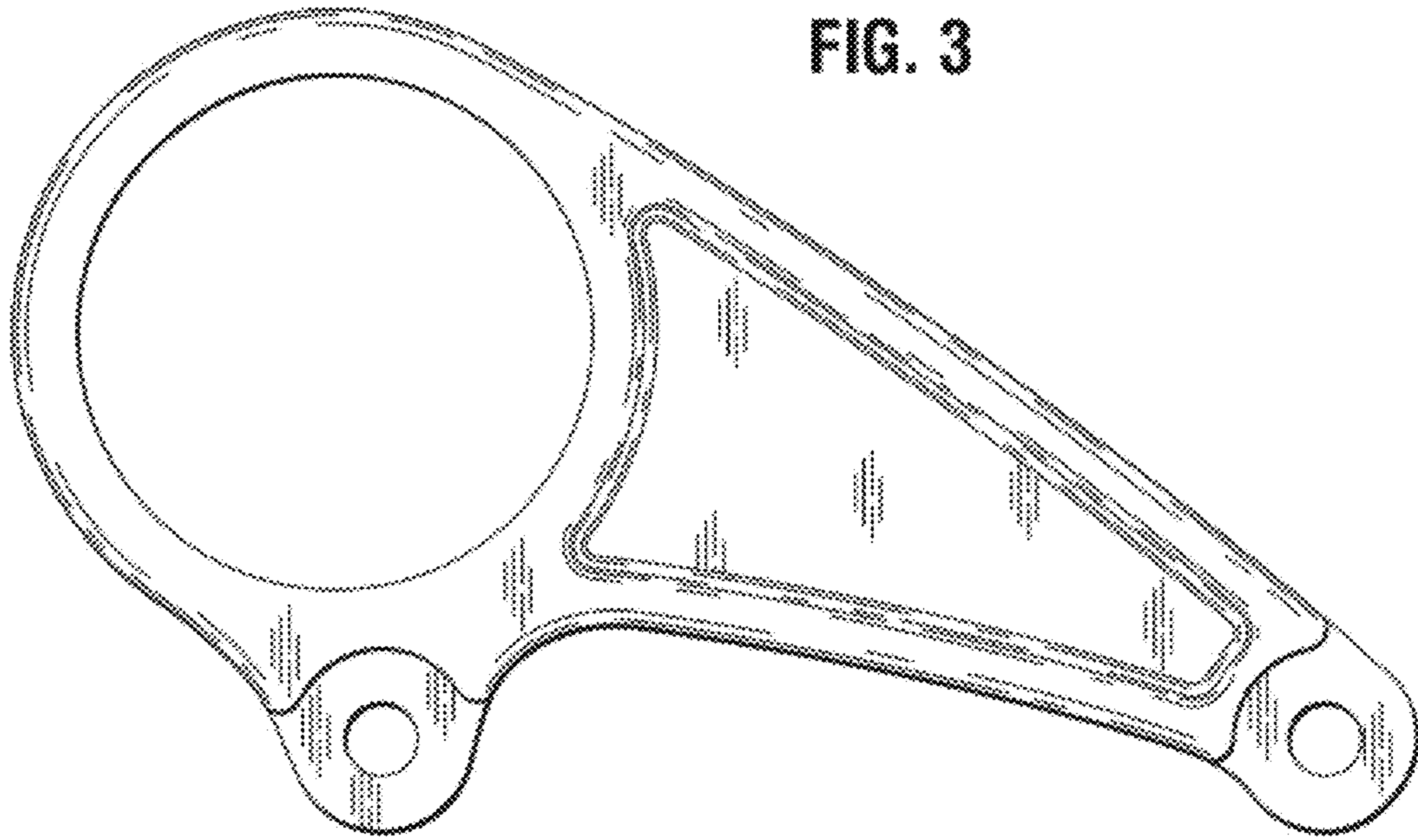


FIG. 4



FIG. 5



FIG. 6

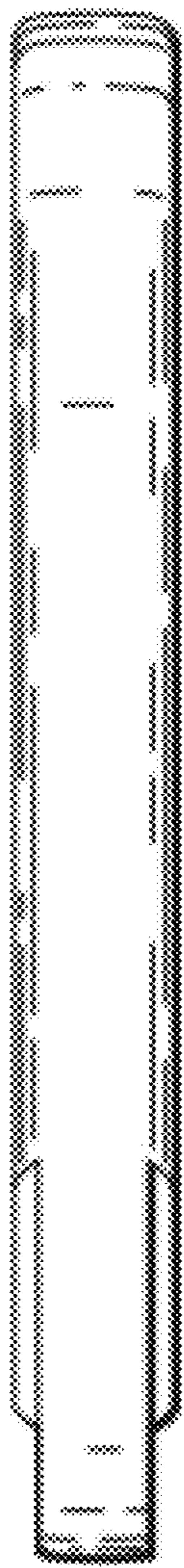


FIG. 7

