



US00D67000S

(12) **United States Design Patent**  
**Davies et al.**

(10) **Patent No.:** **US D670,000 S**  
(45) **Date of Patent:** **\*\* Oct. 30, 2012**

(54) **LABORATORY APPARATUS**

(75) Inventors: **Robert Davies**, Gwernaffield (GB);  
**Chris Leighton**, Chester (GB)

(73) Assignee: **Thermo Shandon Limited**, Cheshire  
(GB)

(\*\*) Term: **14 Years**

(21) Appl. No.: **29/391,468**

(22) Filed: **May 9, 2011**

(30) **Foreign Application Priority Data**

May 5, 2011 (EM) ..... 001859885-0001

(51) **LOC (9) Cl.** ..... **24-01**

(52) **U.S. Cl.** ..... **D24/224**

(58) **Field of Classification Search** ..... D24/216-217,  
D24/219, 222-226, 227, 231, 232; D10/81;  
D3/203.1-203.8, 202; 435/288.1, 288.3,  
435/304.1, 304.3; 422/500, 547, 548, 549,  
422/550, 554, 556, 910; D9/414, 425, 432;  
D7/550.1, 554.1, 554.3, 554.4; 206/557;  
229/407; 220/4.21, 608

See application file for complete search history.

(56) **References Cited**

**U.S. PATENT DOCUMENTS**

4,235,338 A \* 11/1980 Dugan et al. .... 206/443  
4,246,339 A \* 1/1981 Cole et al. .... 435/288.4

D275,886 S \* 10/1984 Sheward et al. .... D24/227  
D303,149 S \* 8/1989 Andersen ..... D24/226  
D316,146 S \* 4/1991 Payne et al. .... D24/227  
D321,564 S \* 11/1991 Miller ..... D24/217  
D352,116 S \* 11/1994 Kienholz ..... D24/227  
D470,411 S \* 2/2003 Menceles ..... D9/425  
D546,632 S \* 7/2007 Oberloier ..... D7/629  
D587,110 S \* 2/2009 Kronshage et al. .... D24/227  
D609,056 S \* 2/2010 Pierce ..... D7/541  
7,669,716 B2 \* 3/2010 Lightner et al. .... 206/583

\* cited by examiner

*Primary Examiner* — Anhdao Doan

(74) *Attorney, Agent, or Firm* — Stites & Harbison PLLC;  
Douglas E. Jackson

(57) **CLAIM**

The ornamental design for a laboratory apparatus, as shown  
and described.

**DESCRIPTION**

FIG. 1 is a front, top and right side perspective view of a  
laboratory apparatus showing the new design.

FIG. 2 is bottom view thereof.

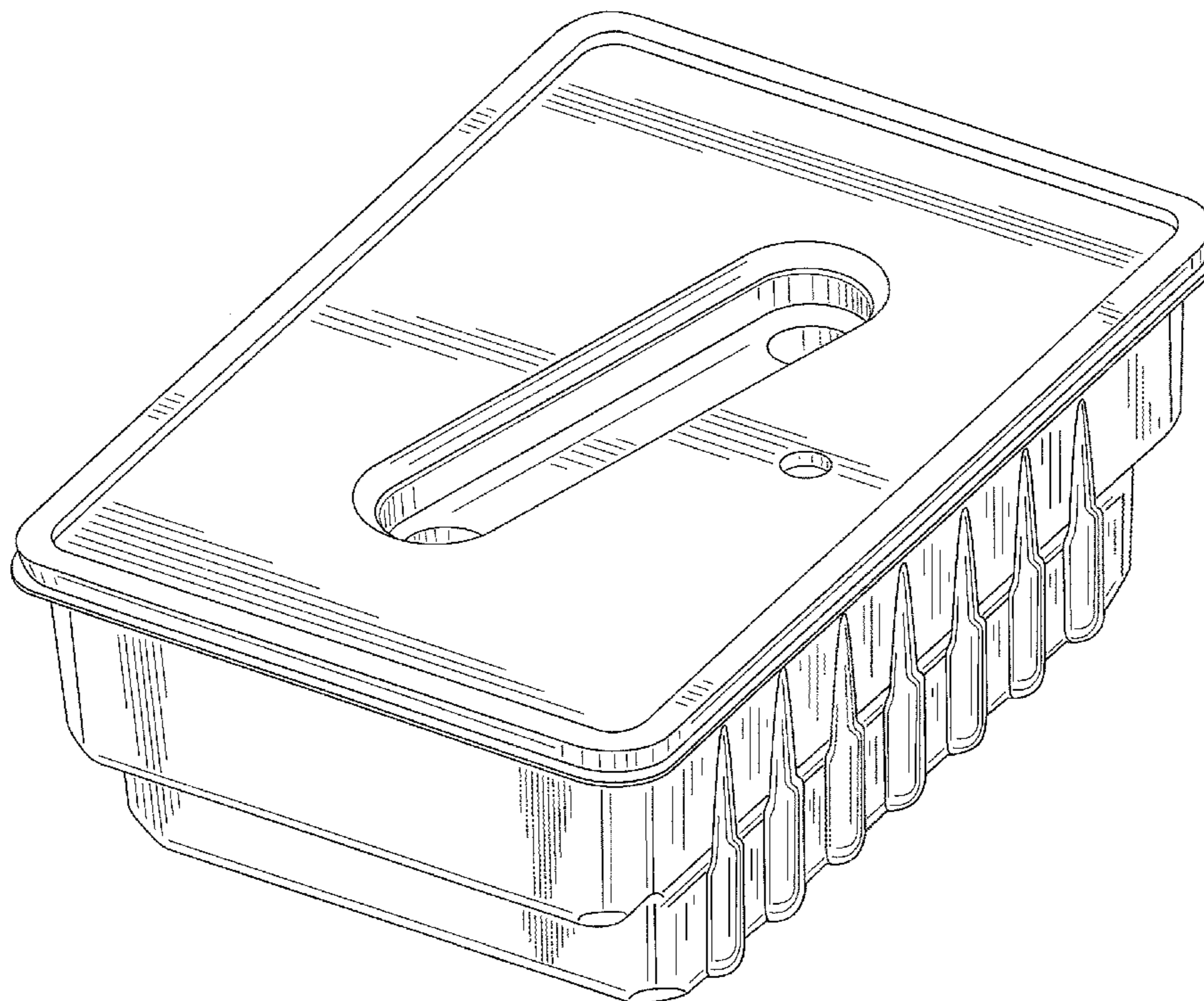
FIG. 3 is a front view thereof, the rear view being a mirror  
image.

FIG. 4 is a back, bottom and right side perspective view  
thereof.

FIG. 5 is a right side view thereof, the left side view being a  
mirror image; and,

FIG. 6 is a top view thereof.

**1 Claim, 6 Drawing Sheets**



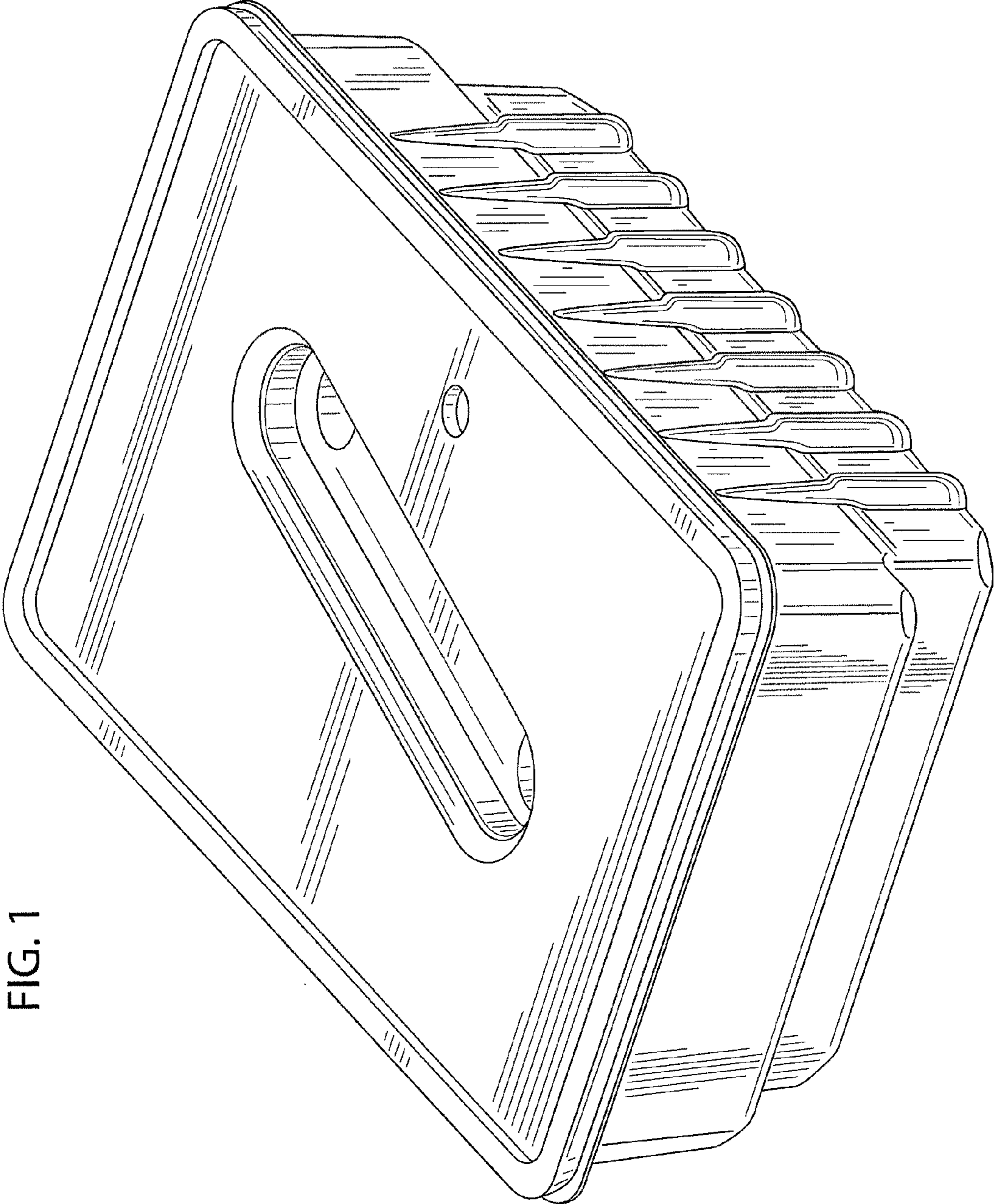


FIG. 1

FIG. 2

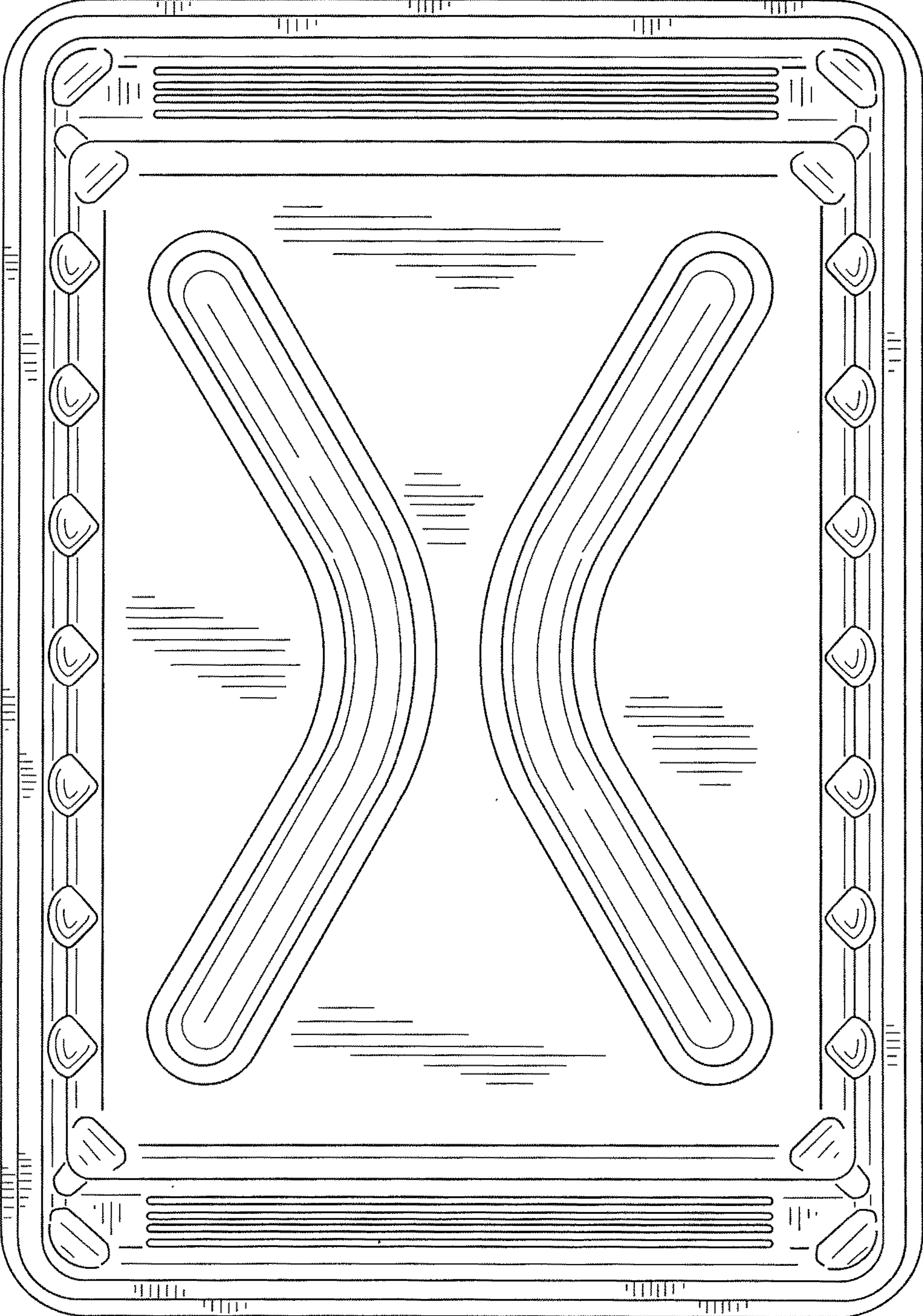
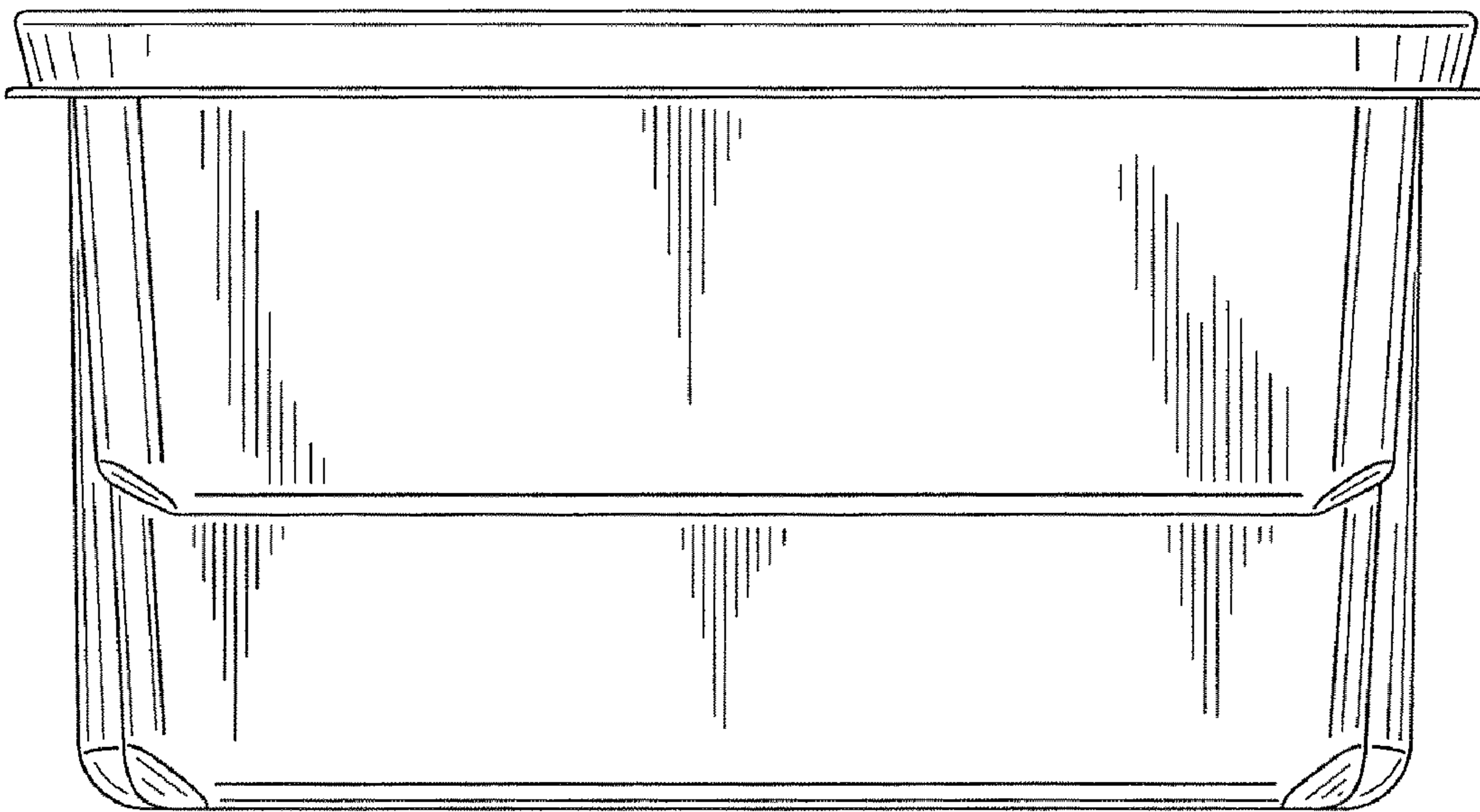


FIG. 3



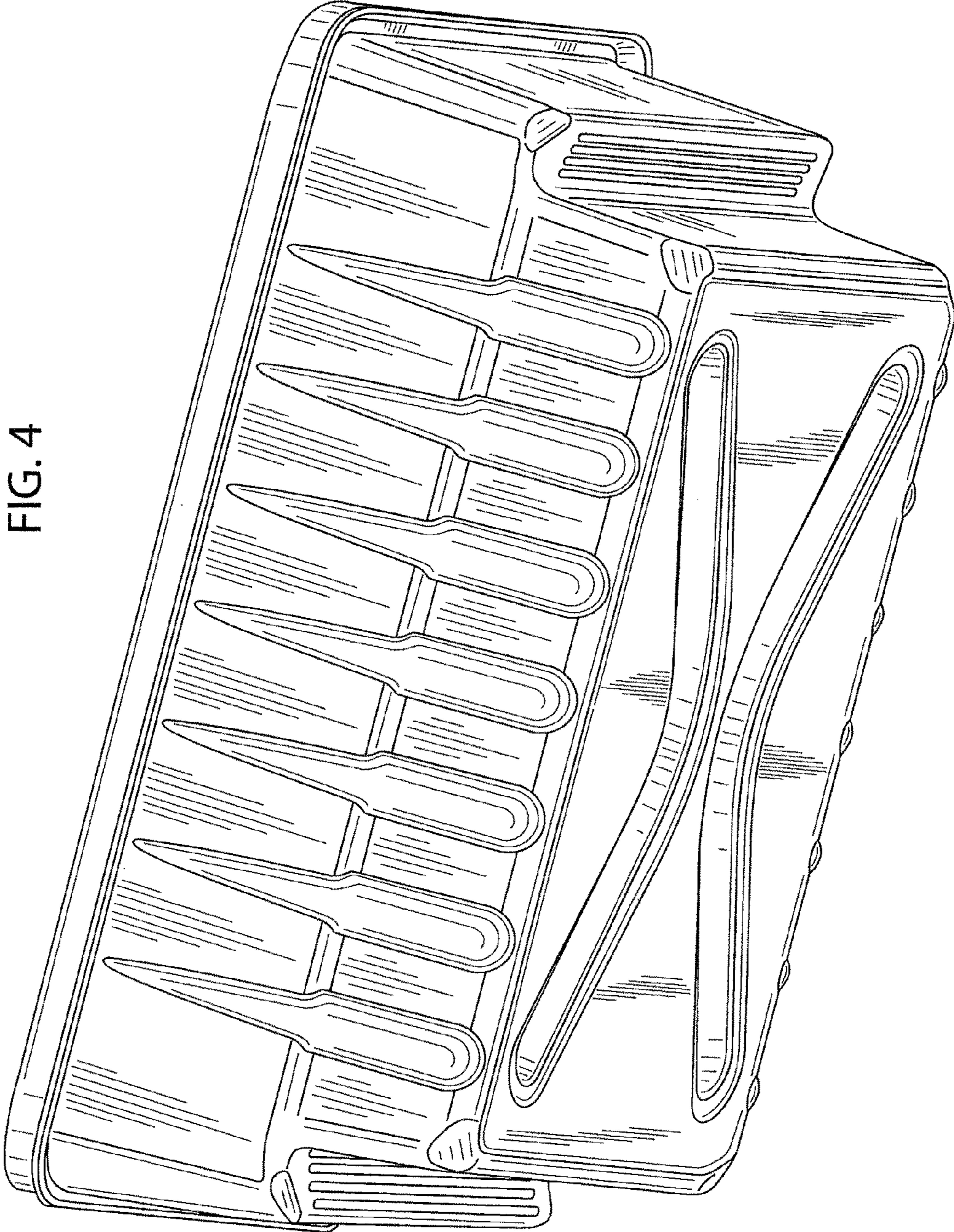


FIG. 4

FIG. 5

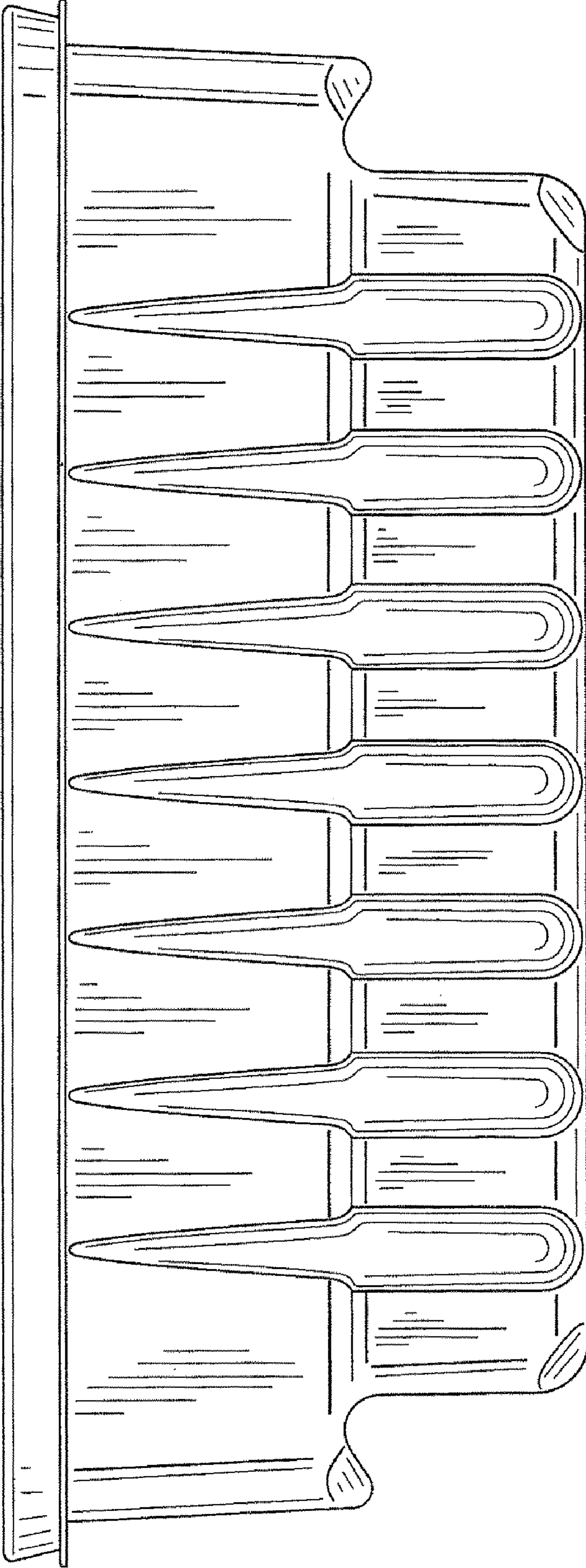


FIG. 6

