

US00D66999S

(12) **United States Design Patent**
Davies et al.

(10) **Patent No.:** **US D669,999 S**
(45) **Date of Patent:** **** Oct. 30, 2012**

(54) **LABORATORY APPARATUS**

(75) Inventors: **Robert Davies**, North Wales (GB);
Chris Leighton, Chester (GB)

(73) Assignee: **Thermo Shandon Limited**, Cheshire
(GB)

(**) Term: **14 Years**

(21) Appl. No.: **29/391,457**

(22) Filed: **May 9, 2011**

(30) **Foreign Application Priority Data**

Nov. 8, 2010 (EM) 001778440-0001

(51) **LOC (9) Cl.** **24-01**

(52) **U.S. Cl.** **D24/224**

(58) **Field of Classification Search** D24/216-217,
D24/219, 222-226, 227, 231, 232; D10/81;
D3/203.1-203.8, 202; 435/288.1, 288.3,
435/304.1, 304.3; 422/500, 547, 548, 549,
422/550, 554, 556, 910; D9/414, 425, 432;
D7/550.1, 554.1, 554.3, 554.4; 206/557;
229/407; 220/4.21, 608

See application file for complete search history.

(56) **References Cited**

U.S. PATENT DOCUMENTS

4,235,338 A * 11/1980 Dugan et al. 206/443
4,246,339 A * 1/1981 Cole et al. 435/288.4
D275,886 S * 10/1984 Sheward et al. D24/227

D303,149 S * 8/1989 Andersen D24/226
D316,146 S * 4/1991 Payne et al. D24/227
D321,564 S * 11/1991 Miller D24/217
D352,116 S * 11/1994 Kienholz D24/227
D470,411 S * 2/2003 Menceles D9/425
D546,632 S * 7/2007 Oberloier D7/629
D587,110 S * 2/2009 Kronshage et al. D24/227
D609,056 S * 2/2010 Pierce D7/541
7,669,716 B2 * 3/2010 Lightner et al. 206/583

* cited by examiner

Primary Examiner — Anhdao Doan

(74) *Attorney, Agent, or Firm* — Stites & Harbison PLLC;
Douglas E. Jackson

(57) **CLAIM**

The ornamental design for a laboratory apparatus, as shown
and described.

DESCRIPTION

FIG. 1 is a front, top and right side perspective view of a
laboratory apparatus showing the new design.

FIG. 2 is front view thereof.

FIG. 3 is a top view thereof.

FIG. 4 is a right side view thereof, the left side view being a
mirror image.

FIG. 5 is an exploded front, bottom and right side perspective
view thereof.

FIG. 6 is a back, top and right side perspective view of only
the base thereof; and,

FIG. 7 is a front, top and right side perspective view of only
the top thereof.

1 Claim, 7 Drawing Sheets

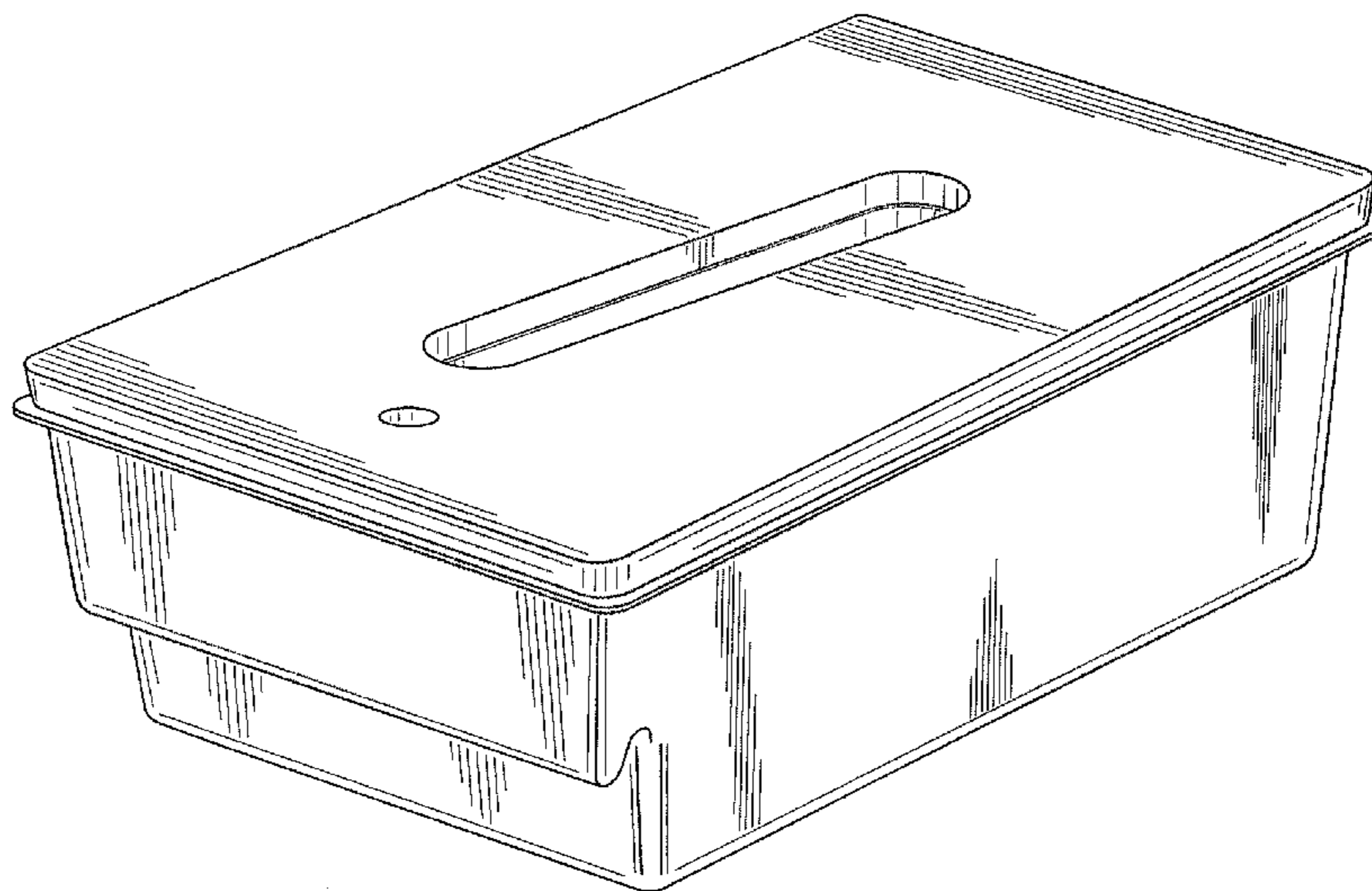


FIG. 1

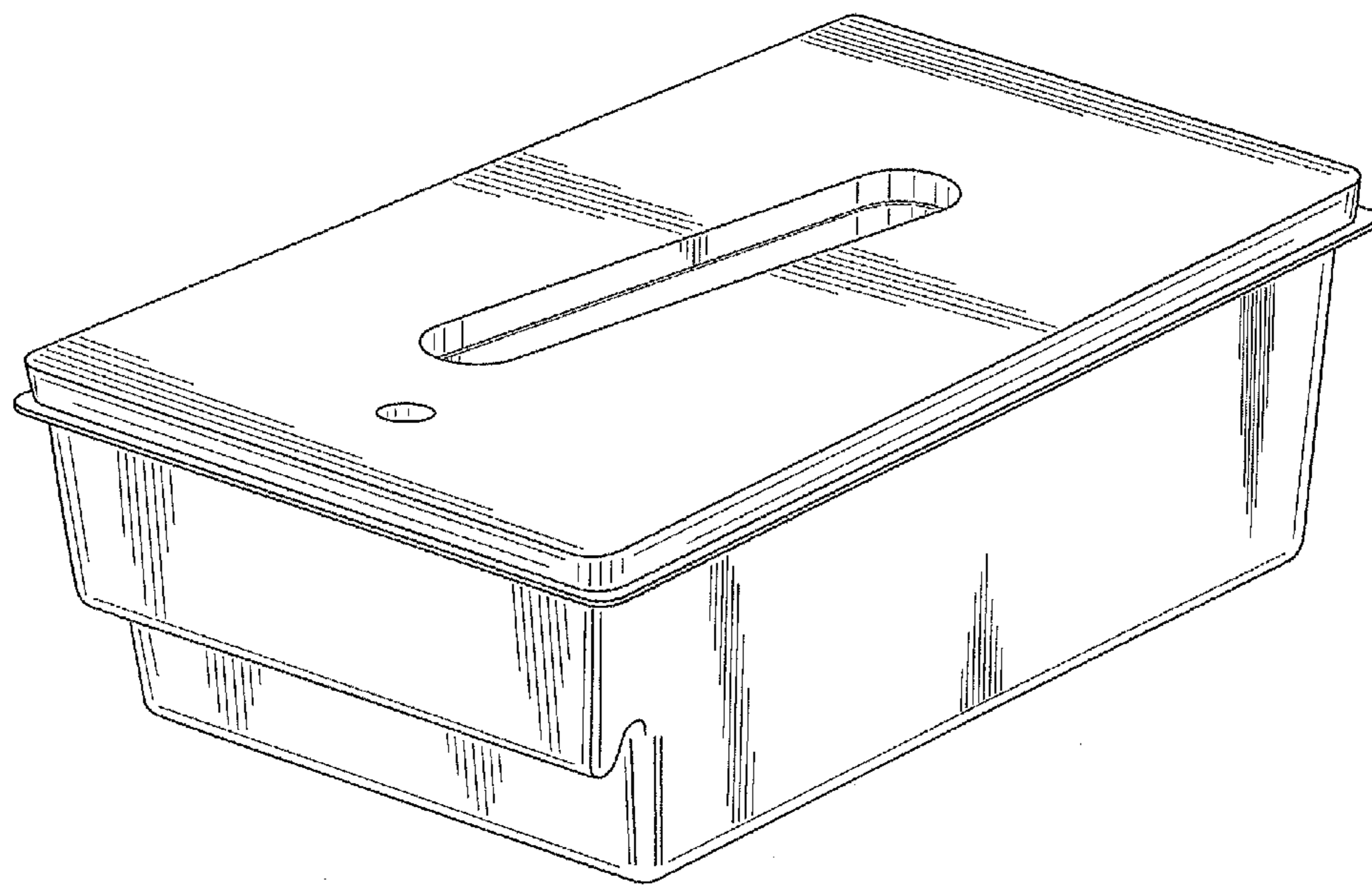


FIG. 2

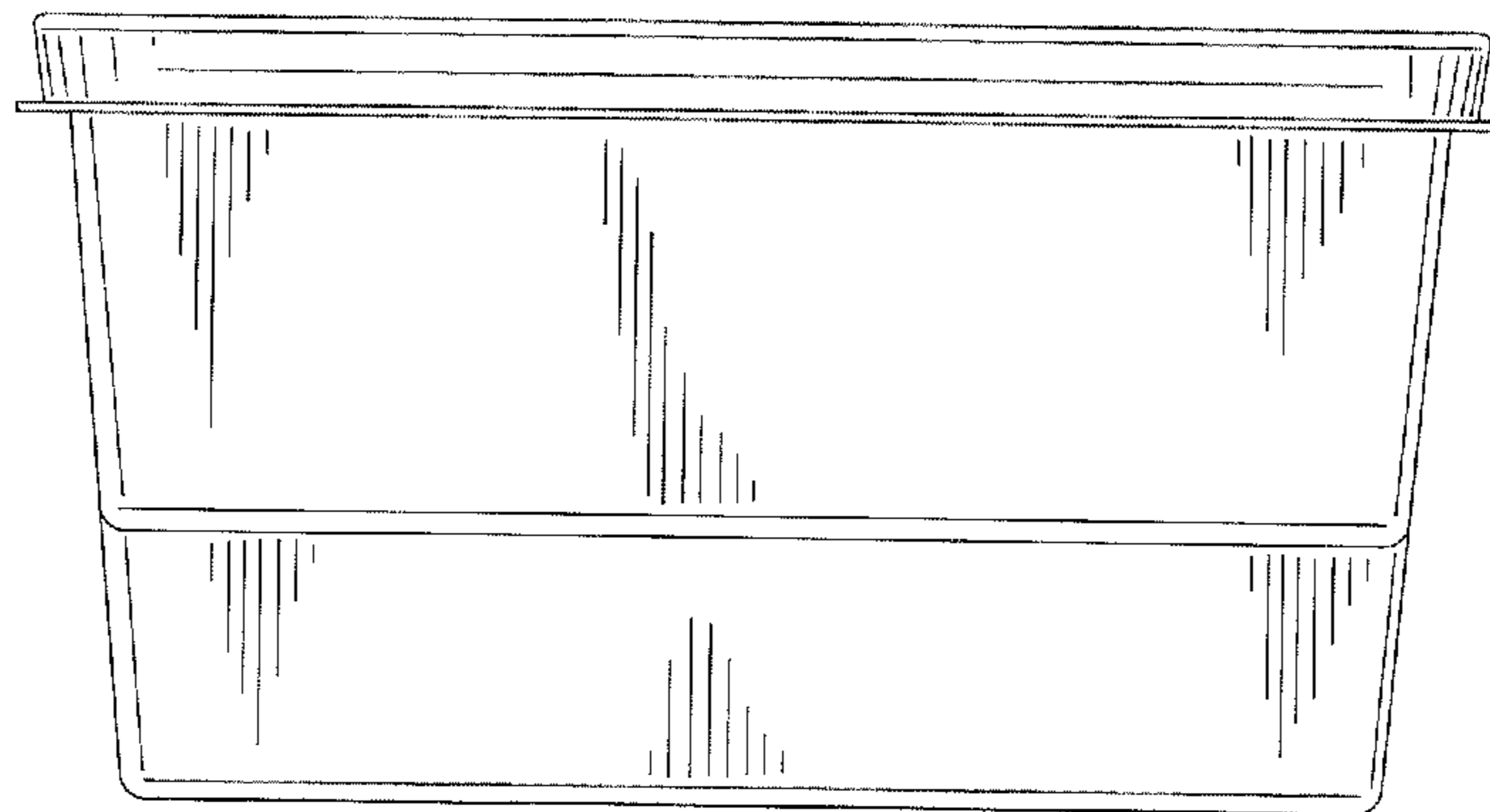


FIG. 3

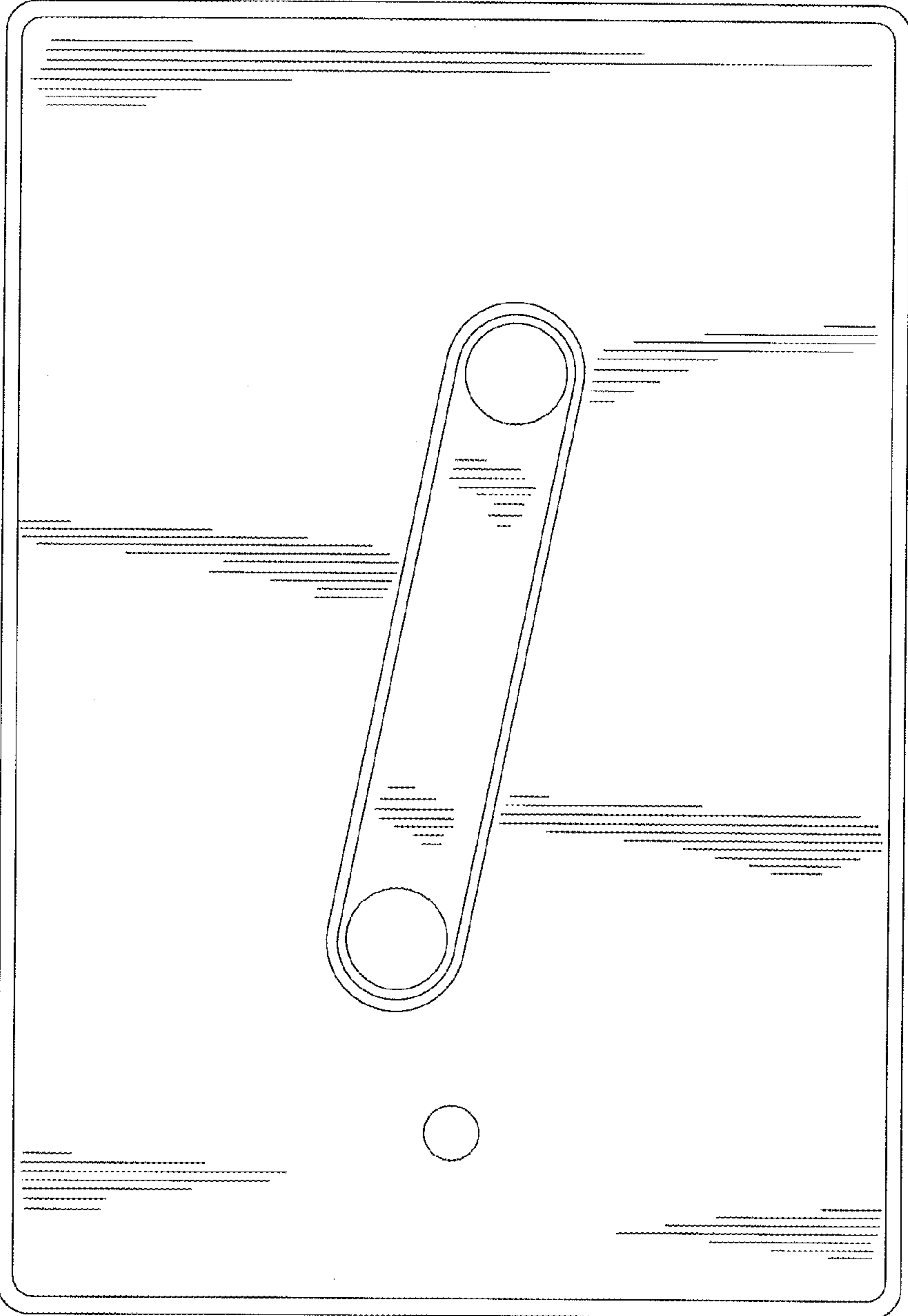
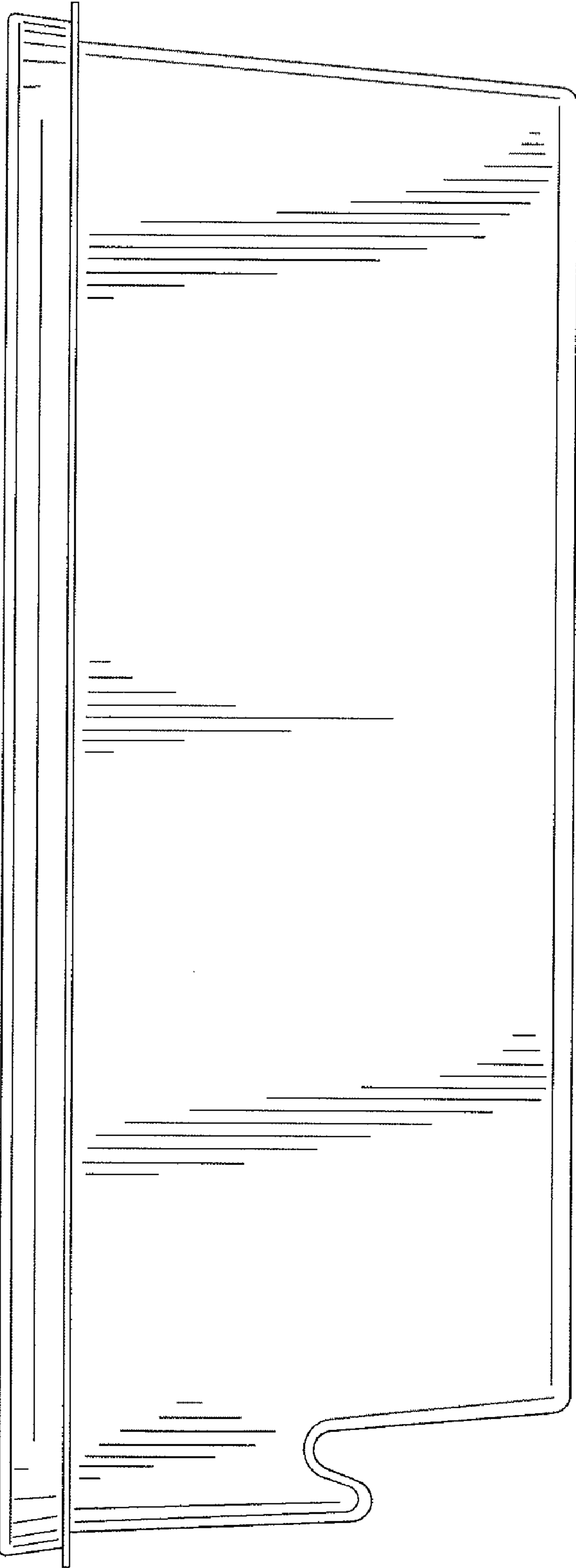


FIG. 4



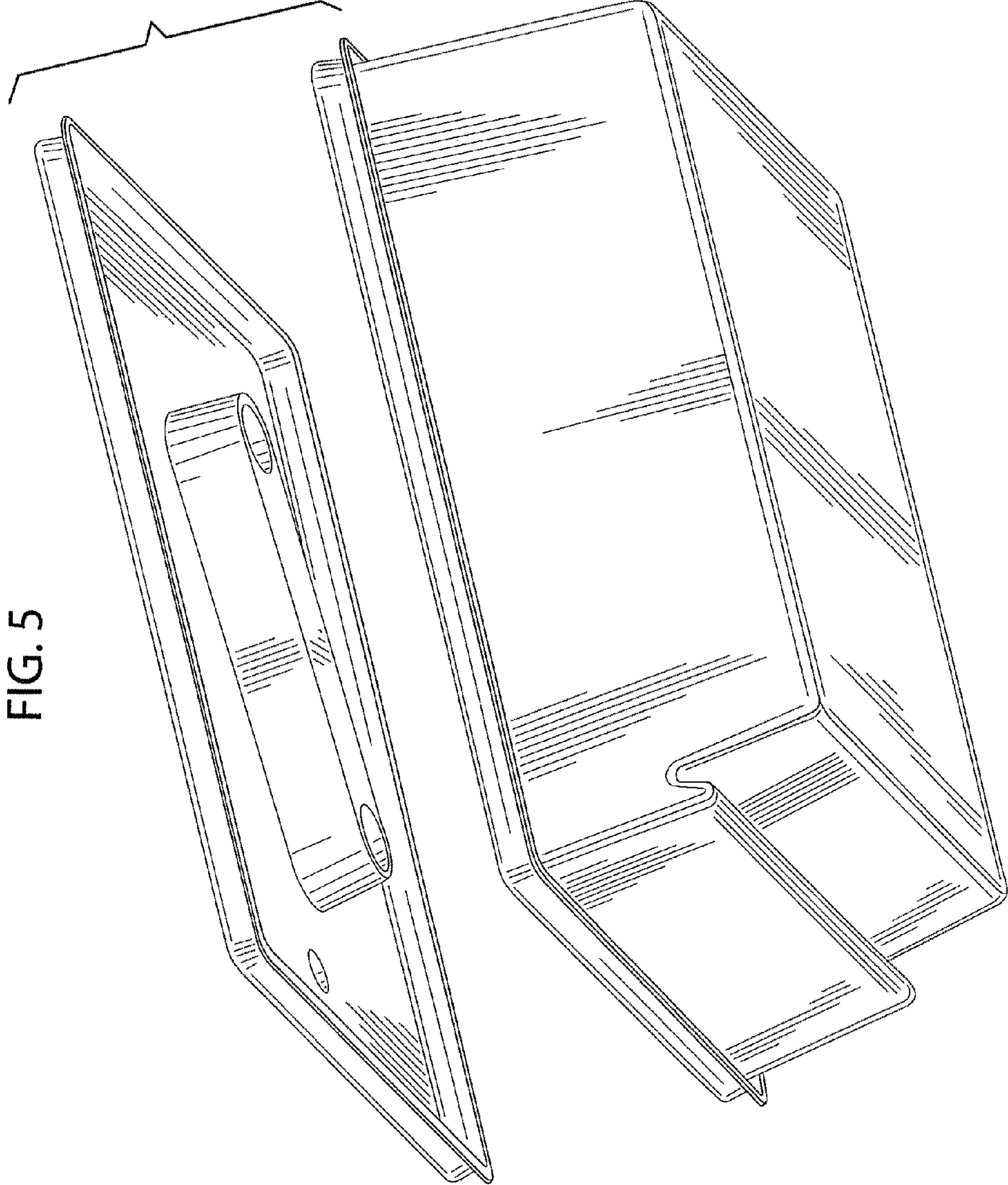


FIG. 5

FIG. 6

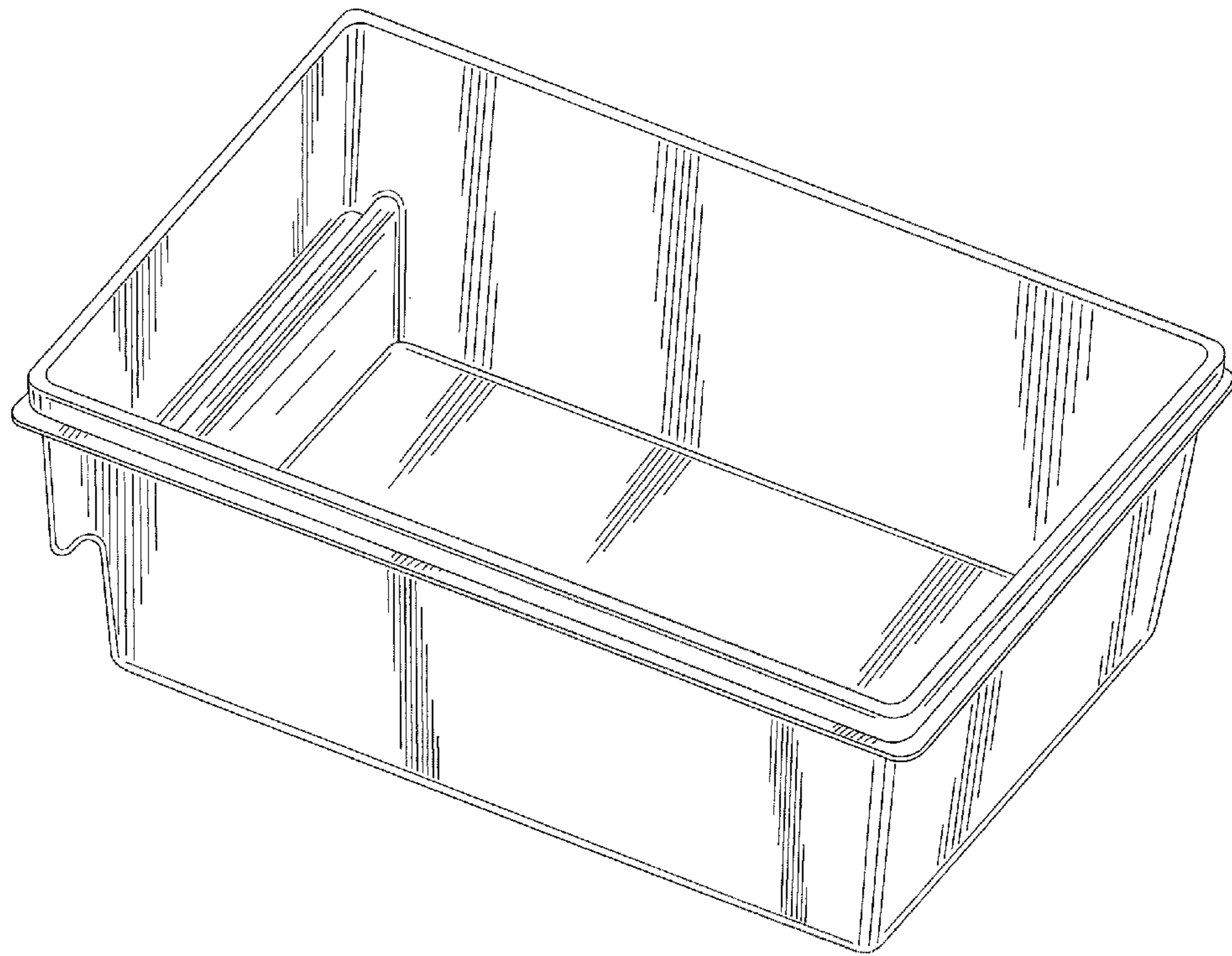


FIG. 7

