



US00D66997S

(12) **United States Design Patent**
Crockford

(10) **Patent No.:** **US D669,997 S**

(45) **Date of Patent:** **** Oct. 30, 2012**

(54) **PELVIC FLOOR EXERCISER**

(76) Inventor: **Renee L. Crockford**, Houston, TX (US)

(**) Term: **14 Years**

(21) Appl. No.: **29/397,181**

(22) Filed: **Jul. 13, 2011**

(51) **LOC (9) Cl.** **28-03**

(52) **U.S. Cl.** **D24/215**

(58) **Field of Classification Search** D24/200,
D24/211-215, 141; 601/27, 28, 33, 40, 46,
601/47, 48, 63, 80, 99, 104, 112, 113, 114,
601/119, 122, 125, 129, 134, 135, 137, DIG. 12,
601/DIG. 13, DIG. 14, DIG. 15, DIG. 16,
601/DIG. 17

See application file for complete search history.

(56) **References Cited**

U.S. PATENT DOCUMENTS

| | | | | |
|-------------------|---------|----------------|-------|---------|
| D266,532 S * | 10/1982 | Grube | | D24/211 |
| D272,649 S * | 2/1984 | Bloch | | D24/211 |
| D374,084 S * | 9/1996 | Chen | | D24/211 |
| D385,965 S * | 11/1997 | Wallesen | | D24/212 |
| D446,308 S * | 8/2001 | Schmitmeyer | | D24/200 |
| D510,628 S * | 10/2005 | Talbot et al. | | D24/215 |
| D556,333 S * | 11/2007 | Hoffman et al. | | D24/206 |
| D567,952 S * | 4/2008 | Fink | | D24/200 |
| D567,954 S * | 4/2008 | Fink | | D24/200 |
| D567,955 S * | 4/2008 | Fink | | D24/200 |
| D628,577 S * | 12/2010 | Marks et al. | | D14/412 |
| D649,656 S * | 11/2011 | Petersen | | D24/215 |
| 2008/0195181 A1 * | 8/2008 | Cole | | 607/74 |

* cited by examiner

Primary Examiner — Sandra Snapp

(74) *Attorney, Agent, or Firm* — Kenneth A. Roddy

(57) **CLAIM**

The ornamental design for a pelvic floor exerciser, as shown and described.

DESCRIPTION

FIG. 1 is a perspective view of a pelvic floor exerciser showing my new design from the forward end and two adjacent sides;

FIG. 2 is a perspective view thereof shown from the rearward end and two adjacent sides opposite the sides shown in FIG. 1;

FIG. 3 is an exploded perspective view thereof similar to FIG. 2, shown with the end cap at the rearward end removed;

FIG. 4 is a side elevation view thereof shown from one side;

FIG. 5 is a cross sectional view taken along line 5-5 of FIG. 4.

FIG. 6 is a side elevation view thereof, rotated 45 degrees from the side shown in FIG. 4;

FIG. 7 is a cross sectional view taken along line 7-7 of FIG. 6.

FIG. 8 is a side elevation view thereof, rotated 90 degrees from the side shown in FIG. 4;

FIG. 9 is a side elevation view thereof, rotated 135 degrees from the side shown in FIG. 4;

FIG. 10 is side elevation view thereof, rotated 180 degrees from the side shown in FIG. 4;

FIG. 11 is side elevation view thereof, rotated 225 degrees from the side shown in FIG. 4;

FIG. 12 is side elevation view thereof, rotated 270 degrees from the side shown in FIG. 4; and,

FIG. 13 is side elevation view thereof, rotated 315 degrees from the side shown in FIG. 4.

1 Claim, 4 Drawing Sheets

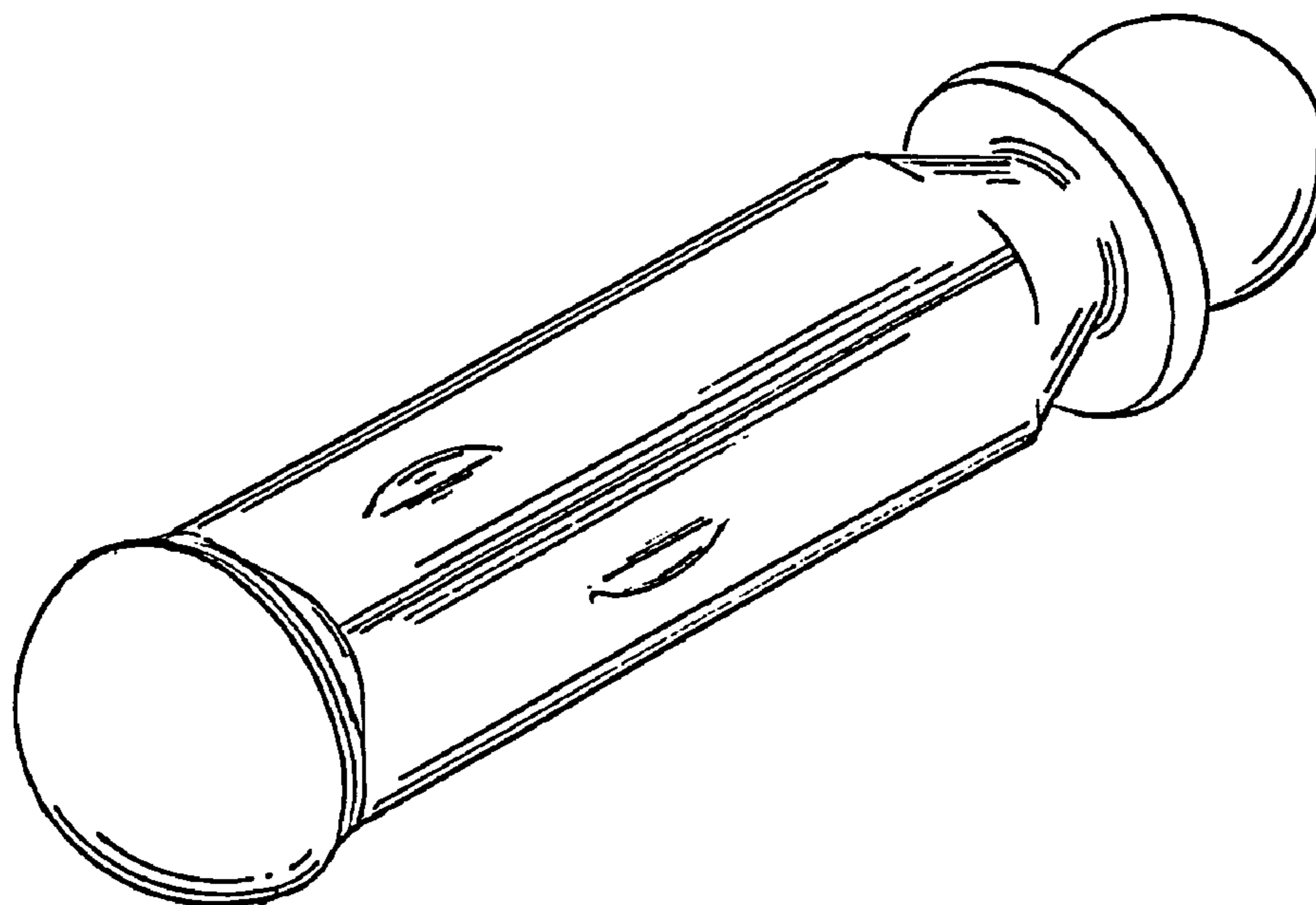


Fig. 1

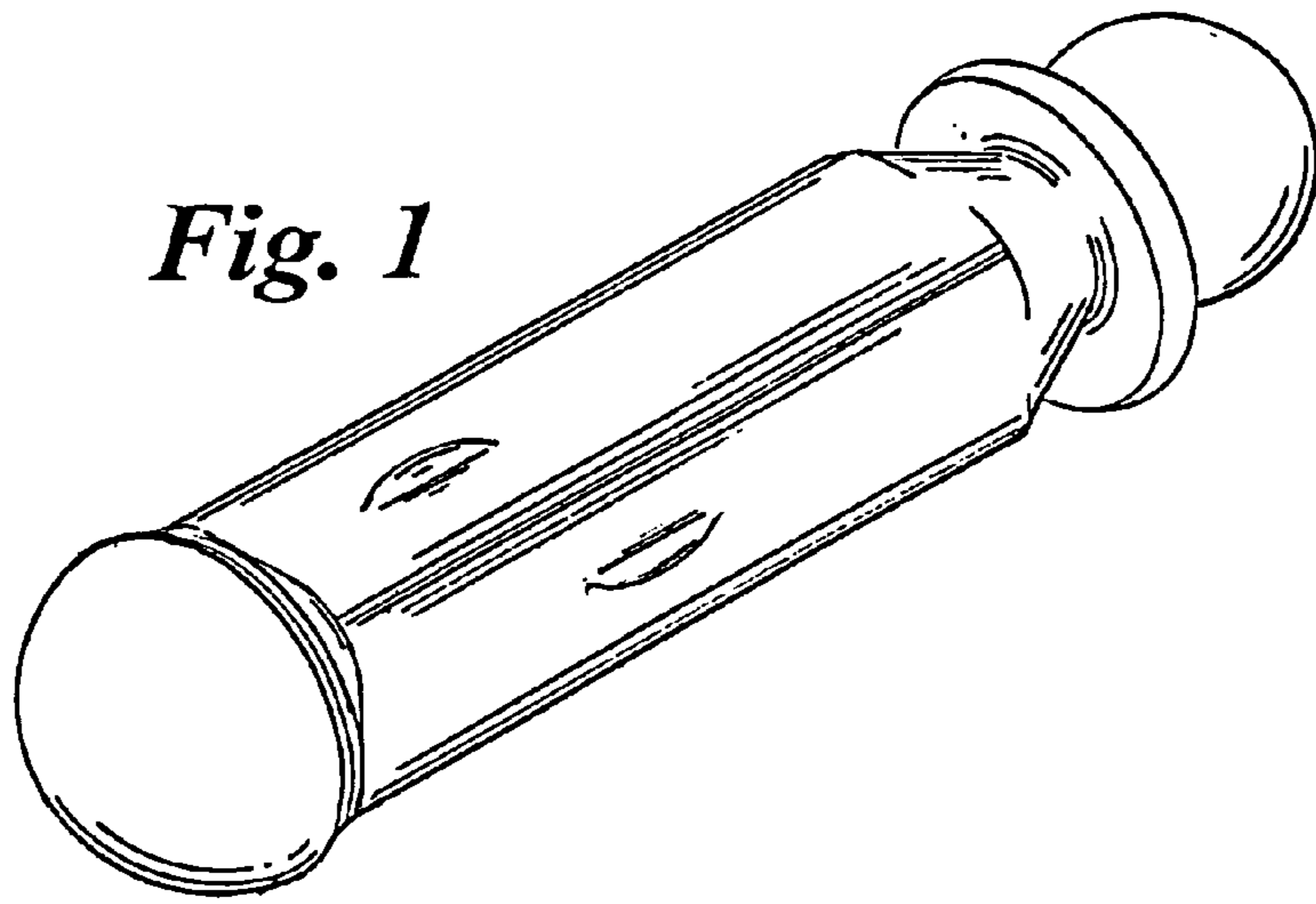


Fig. 2

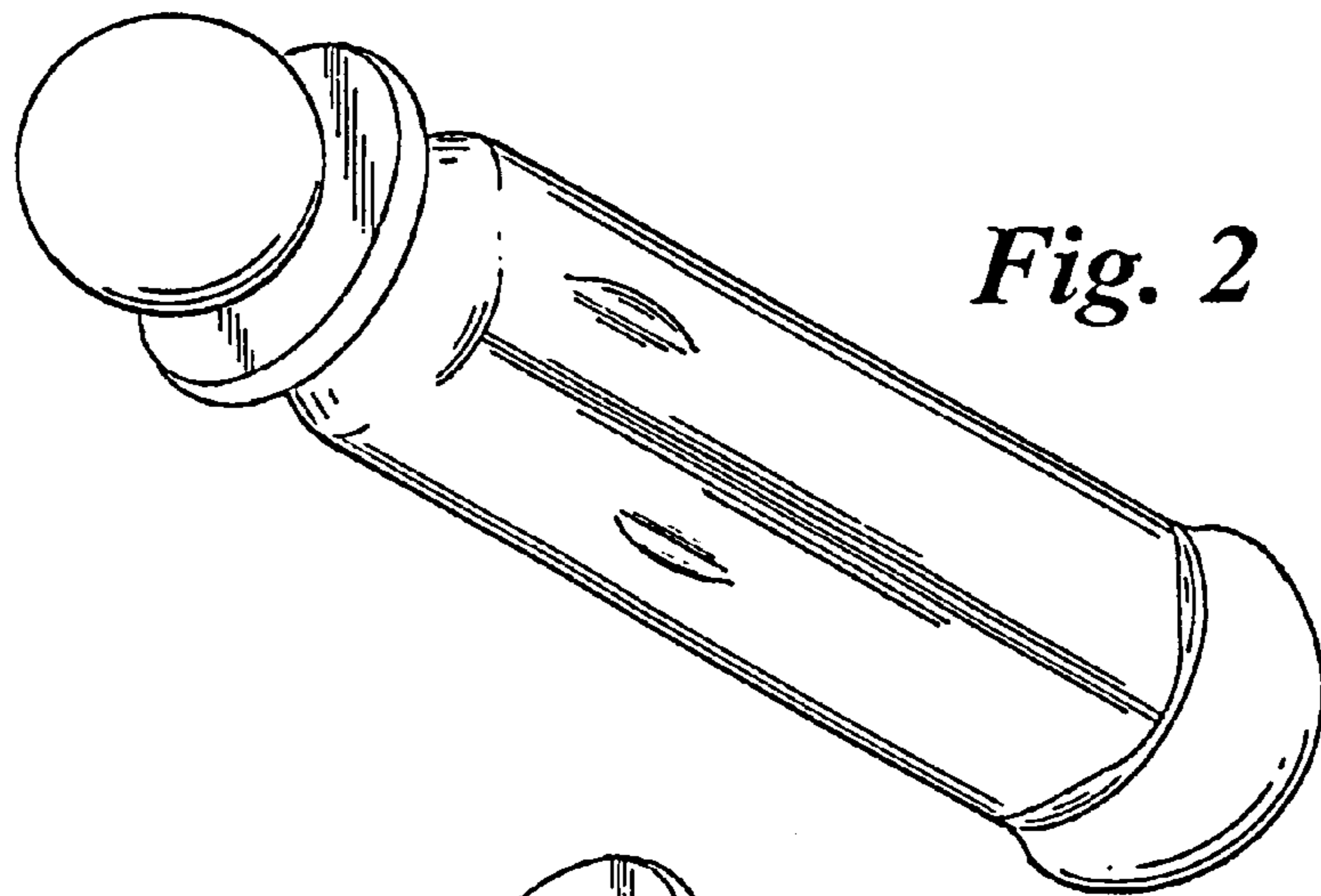
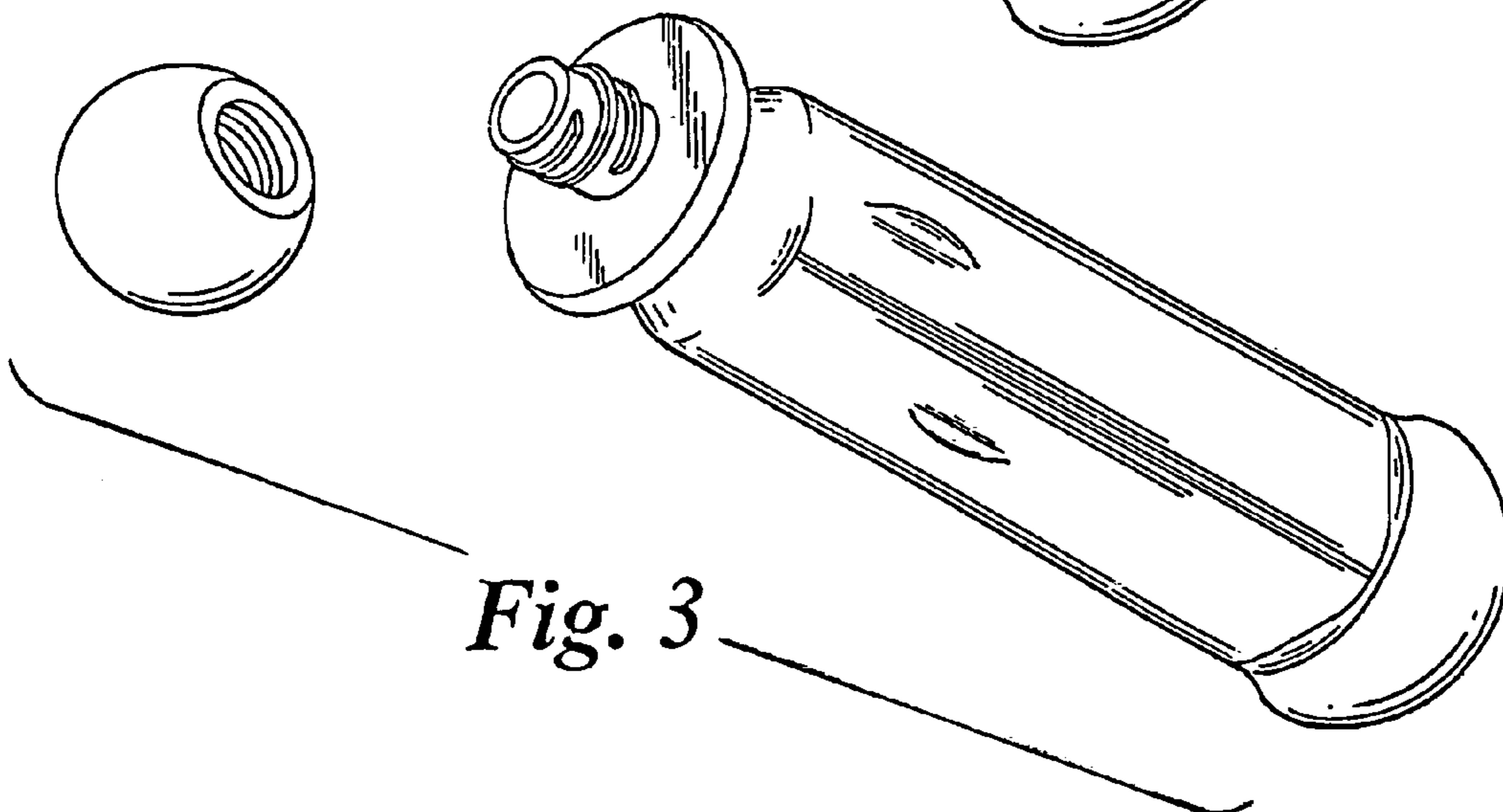


Fig. 3



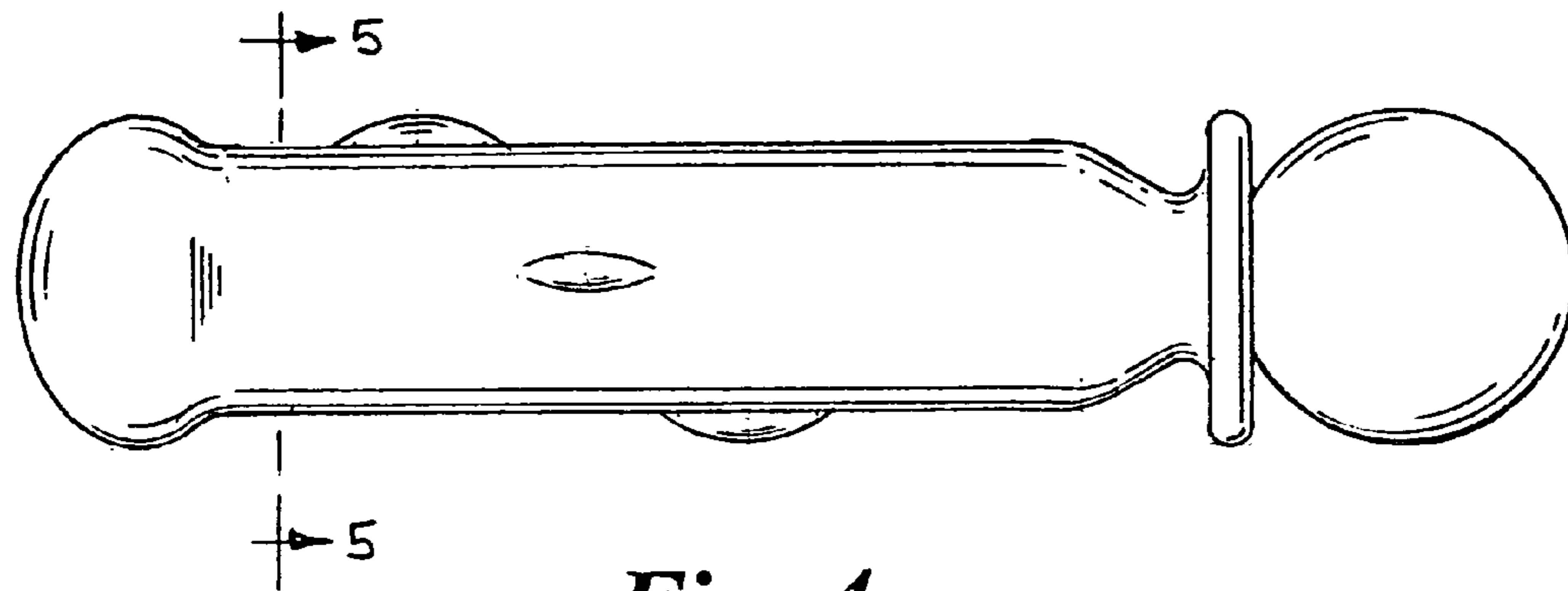


Fig. 4

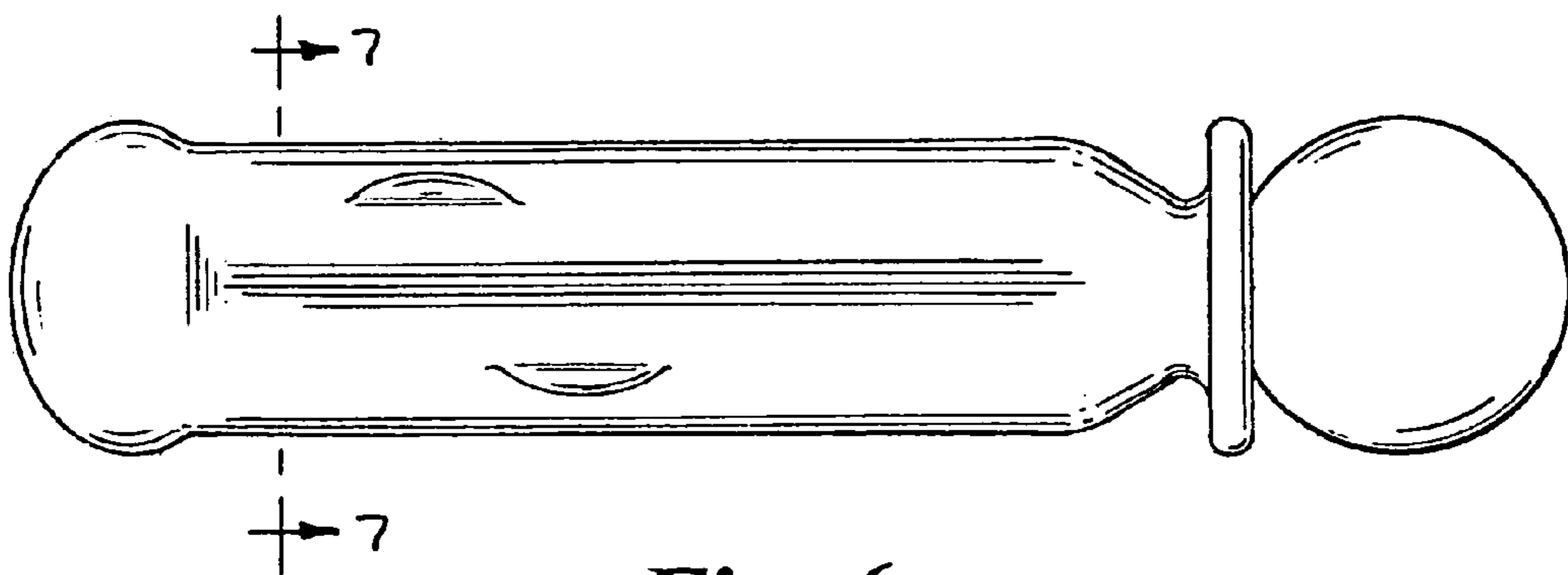


Fig. 6

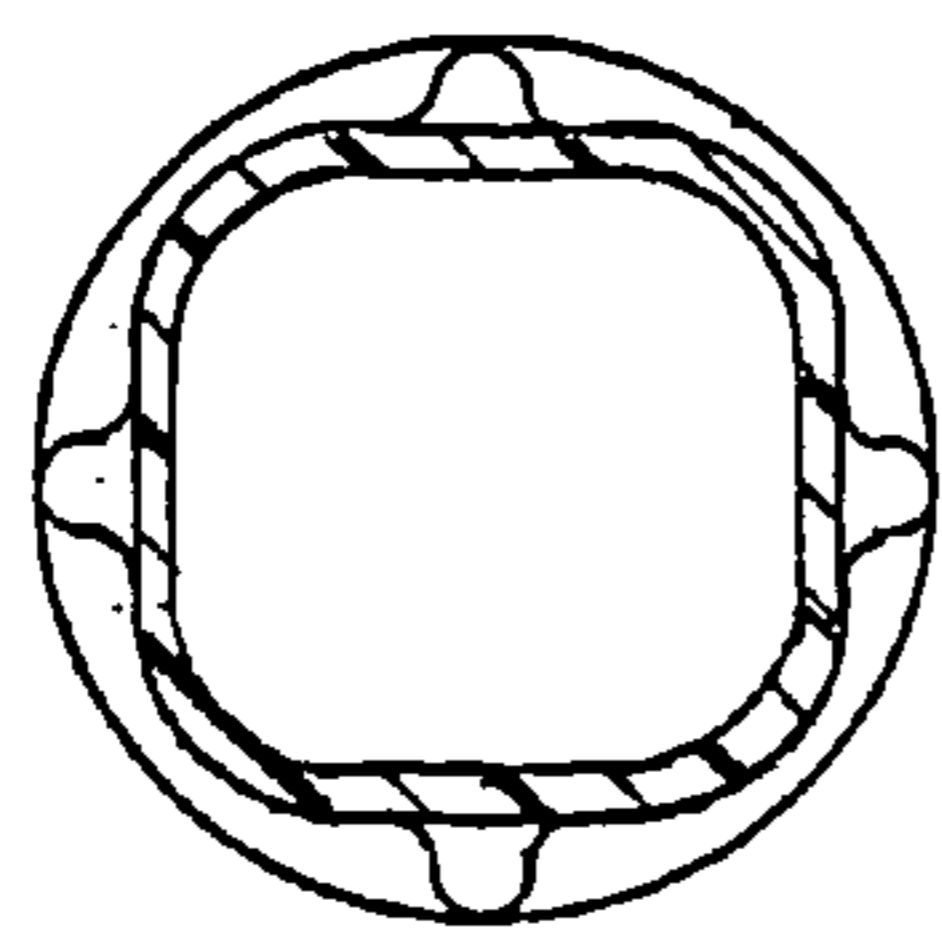


Fig. 5

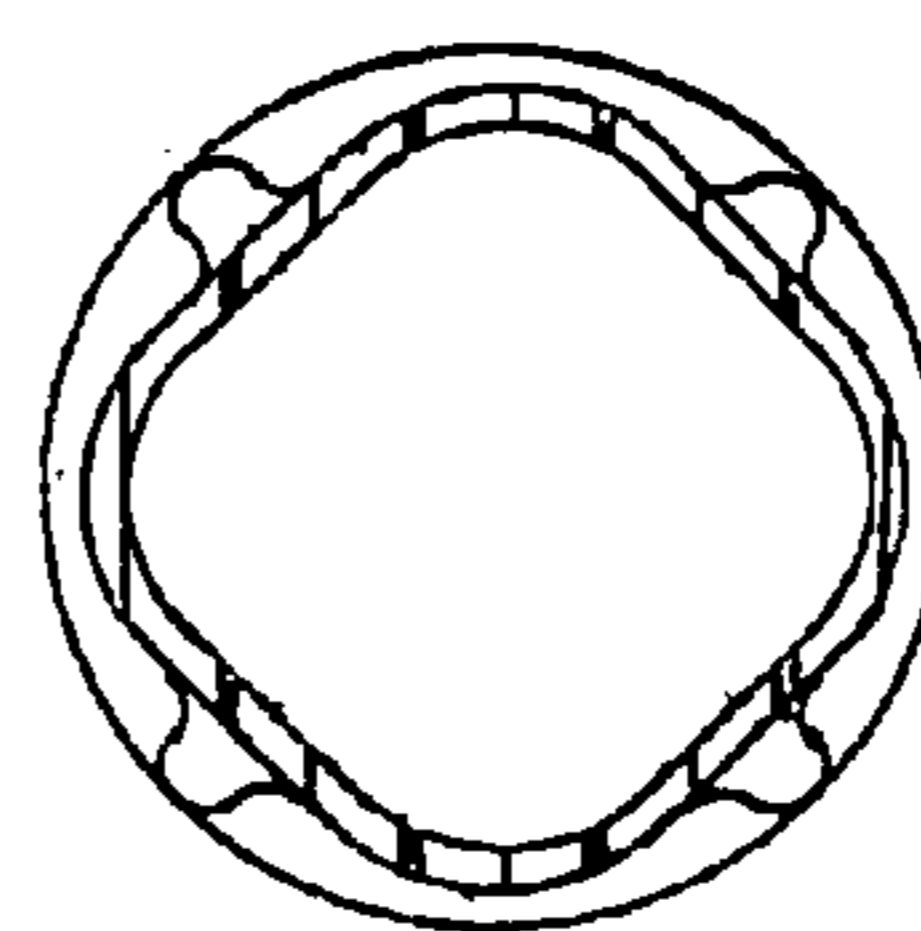


Fig. 7

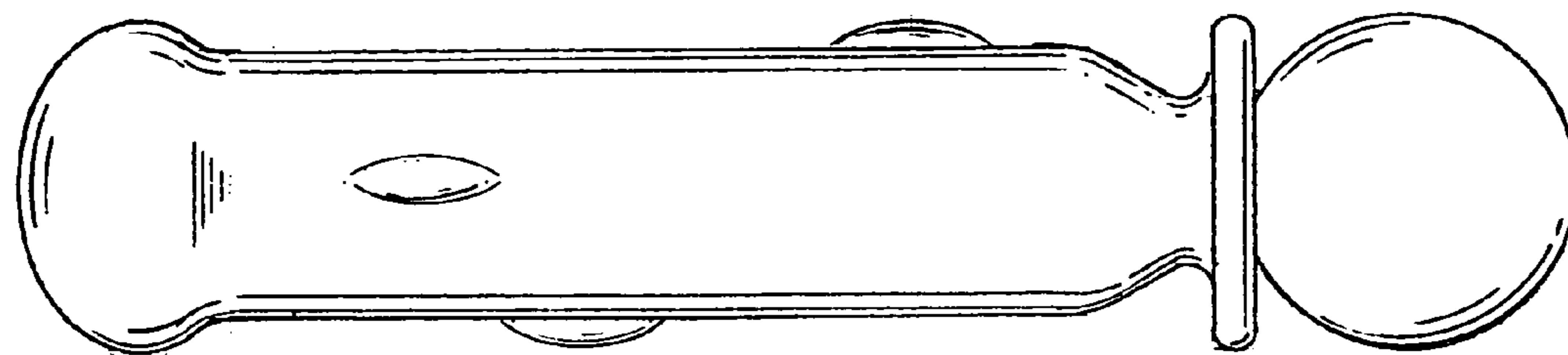


Fig. 8

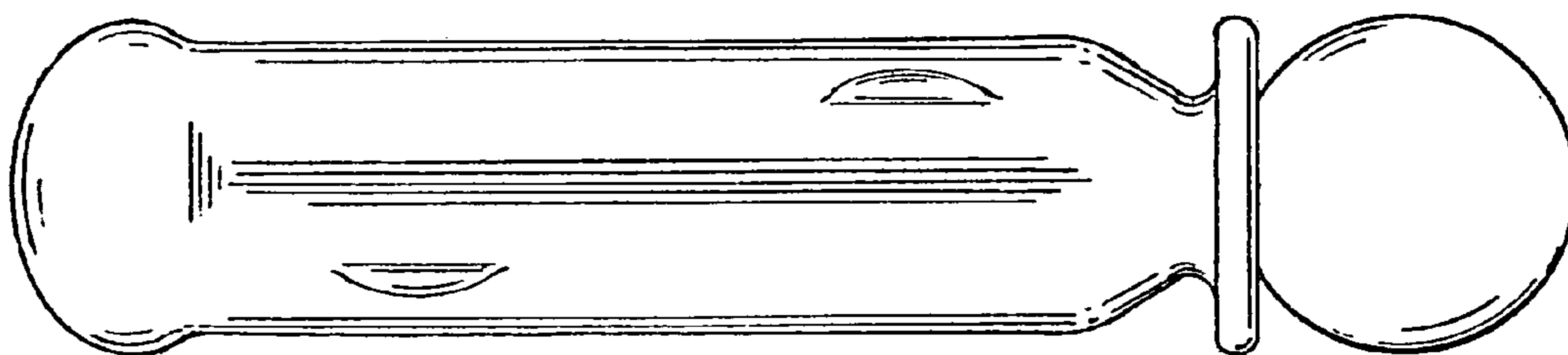


Fig. 9

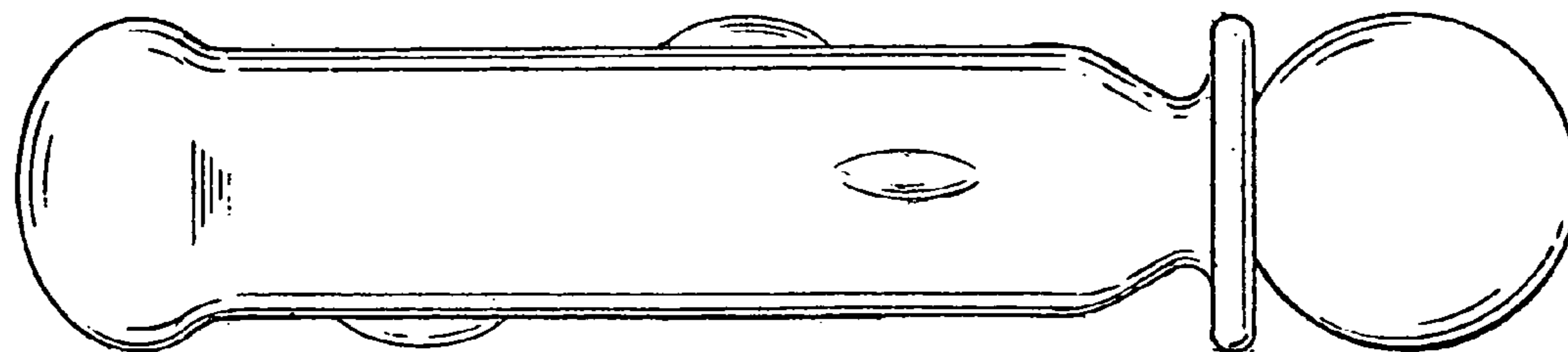


Fig. 10

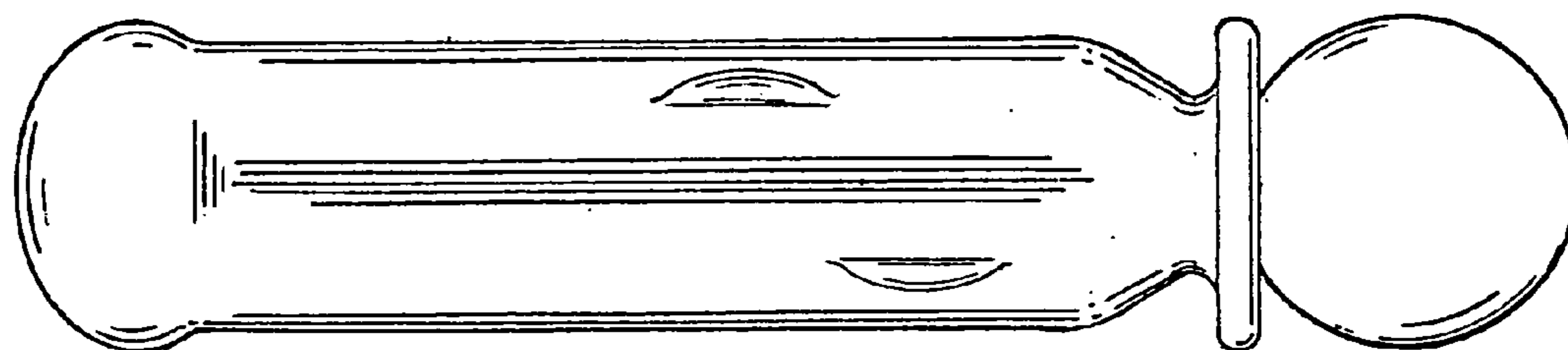


Fig. 11

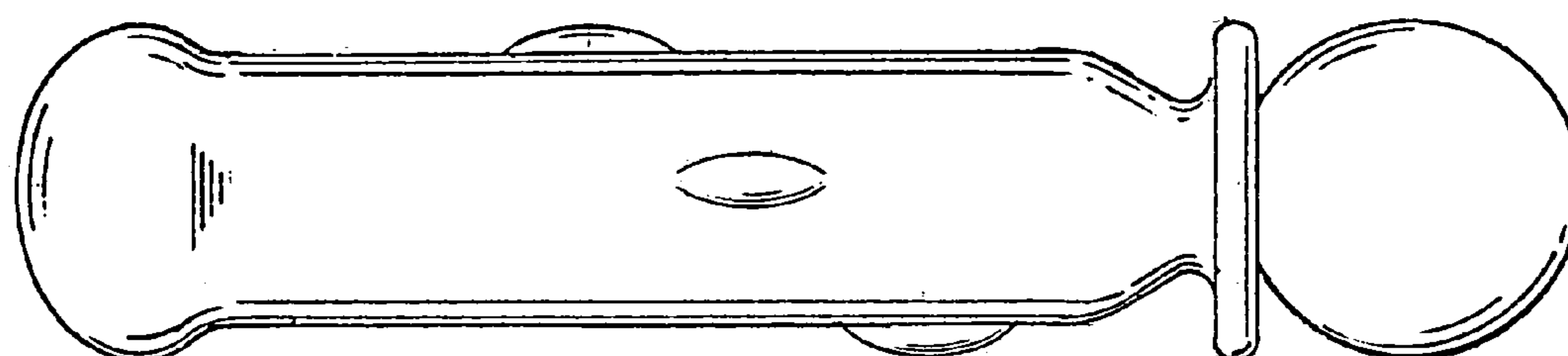


Fig. 12

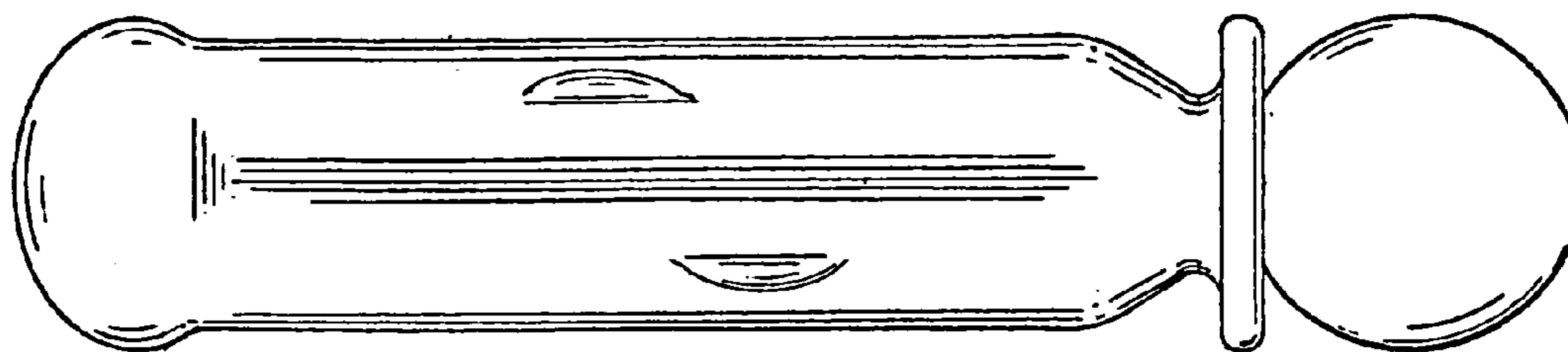


Fig. 13