



US00D66992S

(12) **United States Design Patent**
Schafer et al.

(10) **Patent No.:** **US D669,992 S**
(45) **Date of Patent:** **** Oct. 30, 2012**

(54) **ULTRASONIC AMPLIFIER**

(75) Inventors: **Mark E. Schafer**, Lower Gwynedd, PA (US); **Adnan I. Merchant**, Fremont, CA (US); **Kristen E. Matteson**, Arvada, CO (US); **Serena Ann Chase**, Denver, CO (US); **David J. Wesley**, Lyons, CO (US); **David B. Mogill**, Westminster, CO (US); **Arjun K. Joseph**, Langhorne, PA (US); **Daniel J. Massam**, Langhorne, PA (US); **Kailyn N. Lynch**, Glenside, PA (US)

(73) Assignee: **Sound Surgical Technologies, LLC**, Louisville, CO (US)

(**) Term: **14 Years**

(21) Appl. No.: **29/362,163**

(22) Filed: **May 20, 2010**

(51) **LOC (9) Cl.** **24-01**

(52) **U.S. Cl.** **D24/170**

(58) **Field of Classification Search** D24/170,
D24/144, 107, 138, 185; 330/5.5; 606/32,
606/34, 41, 42

See application file for complete search history.

(56) **References Cited**

U.S. PATENT DOCUMENTS

3,196,384	A *	7/1965	Dumke et al.	330/5.5
D349,343	S *	8/1994	Hannon et al.	D24/170
D359,353	S *	6/1995	Butter	D24/170
D377,428	S	1/1997	Rossdeutscher	
D379,231	S	5/1997	Ungari	
D396,108	S *	7/1998	Garito et al.	D24/144
D400,249	S *	10/1998	Holubar et al.	D24/107
5,858,239	A	1/1999	Kenley et al.	
6,155,975	A	12/2000	Urich et al.	
D438,952	S	3/2001	Cimino et al.	
D477,408	S *	7/2003	Bromley	D24/170

6,602,227	B1	8/2003	Cimino et al.	
RE39,075	E	4/2006	Verkaart	
7,171,249	B2	1/2007	Takahashi et al.	
D596,420	S	7/2009	Yoshida	
D598,623	S	8/2009	Zang Wentz Pho	
D626,239	S	10/2010	Lia et al.	
D631,160	S *	1/2011	Schurg et al.	D24/144
7,952,315	B2	5/2011	Park, IV	
D645,630	S	9/2011	Steffens et al.	
8,191,909	B2	6/2012	Livengood et al.	
8,196,939	B2	6/2012	Bustle et al.	
D664,254	S	7/2012	Yokoyama et al.	

(Continued)

OTHER PUBLICATIONS

“System Components and Accessories,” Sound Surgical Technologies LLC, 2008, 4 pages.

(Continued)

Primary Examiner — Anhdao Doan

(74) *Attorney, Agent, or Firm* — Merchant & Gould PC

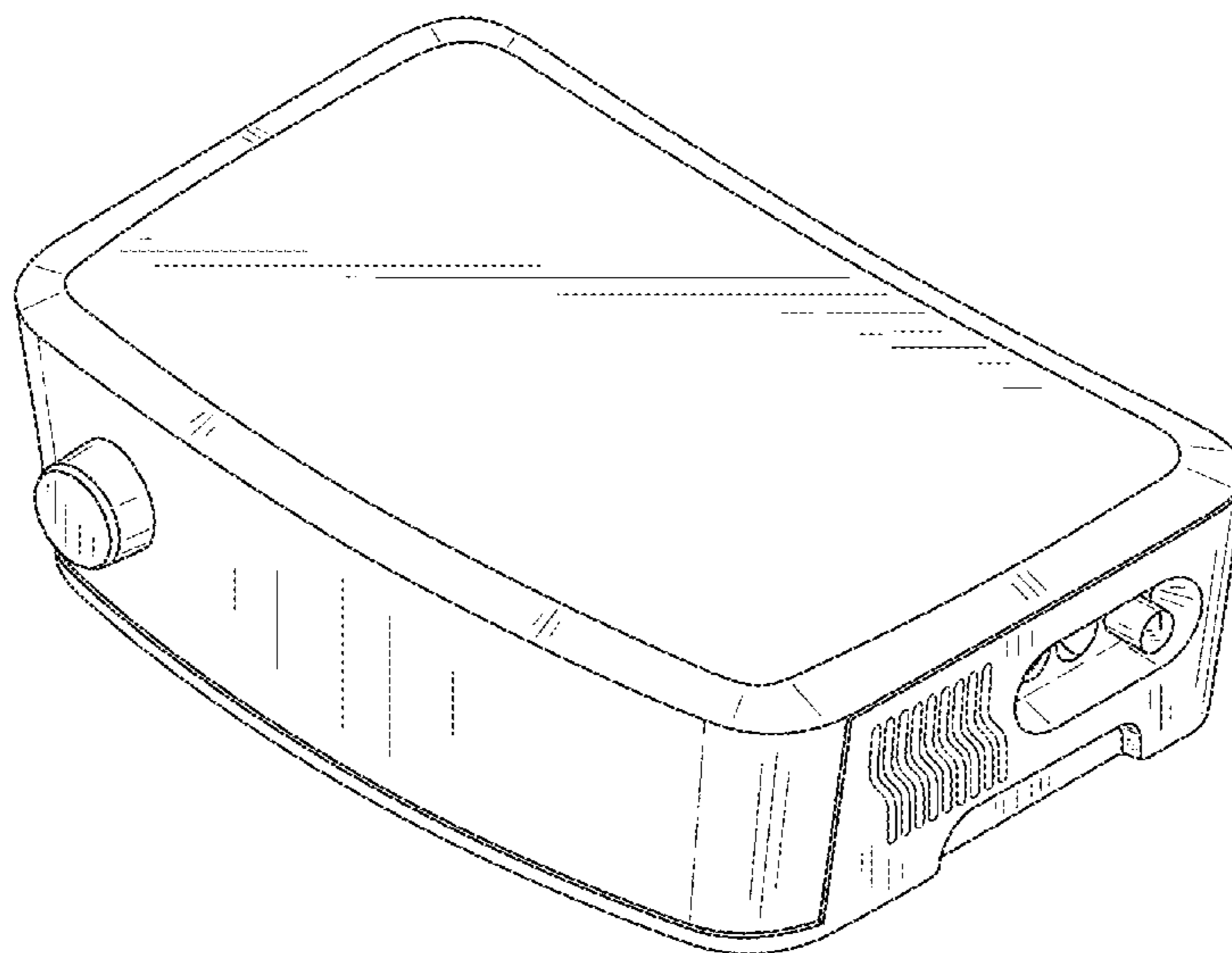
(57) **CLAIM**

The ornamental design for an ultrasonic amplifier, as shown and described.

DESCRIPTION

FIG. 1 is a perspective view of an embodiment of an ultrasonic amplifier showing a new design; FIG. 2 is a front view of the ultrasonic amplifier of FIG. 1; FIG. 3 is a rear or back view of the ultrasonic amplifier of FIG. 1; FIG. 4 is a right side elevation view of the ultrasonic amplifier of FIG. 1; FIG. 5 is a left side elevation view of the ultrasonic amplifier of FIG. 1; FIG. 6 is a top view of the ultrasonic amplifier of FIG. 1; and, FIG. 7 is a bottom view of the ultrasonic amplifier of FIG. 1.

1 Claim, 4 Drawing Sheets



US D669,992 S

Page 2

U.S. PATENT DOCUMENTS

2002/0017299 A1 2/2002 Hickle
2002/0096608 A1 7/2002 Cedarberg, III
2004/0064080 A1 4/2004 Cruz et al.
2007/0055159 A1 3/2007 Wang et al.
2007/0232890 A1 10/2007 Hirota
2008/0269663 A1 10/2008 Arnold et al.
2010/0004539 A1 1/2010 Chen et al.
2010/0261948 A1 10/2010 Chilton, III
2011/0006724 A1 1/2011 Reckelhoff

2011/0172524 A1 7/2011 Hidem et al.
2011/0245583 A1 10/2011 Vyasarrao et al.
2012/0203089 A1 8/2012 Rule et al.

OTHER PUBLICATIONS

U.S. Appl. No. 29/362,151, filed May 20, 2010, Schafer et al.
U.S. Appl. No. 29/362,160, filed May 20, 2010, Schafer et al.
U.S. Appl. No. 29/375,932, filed Sep. 29, 2010, Merchant et al.

* cited by examiner

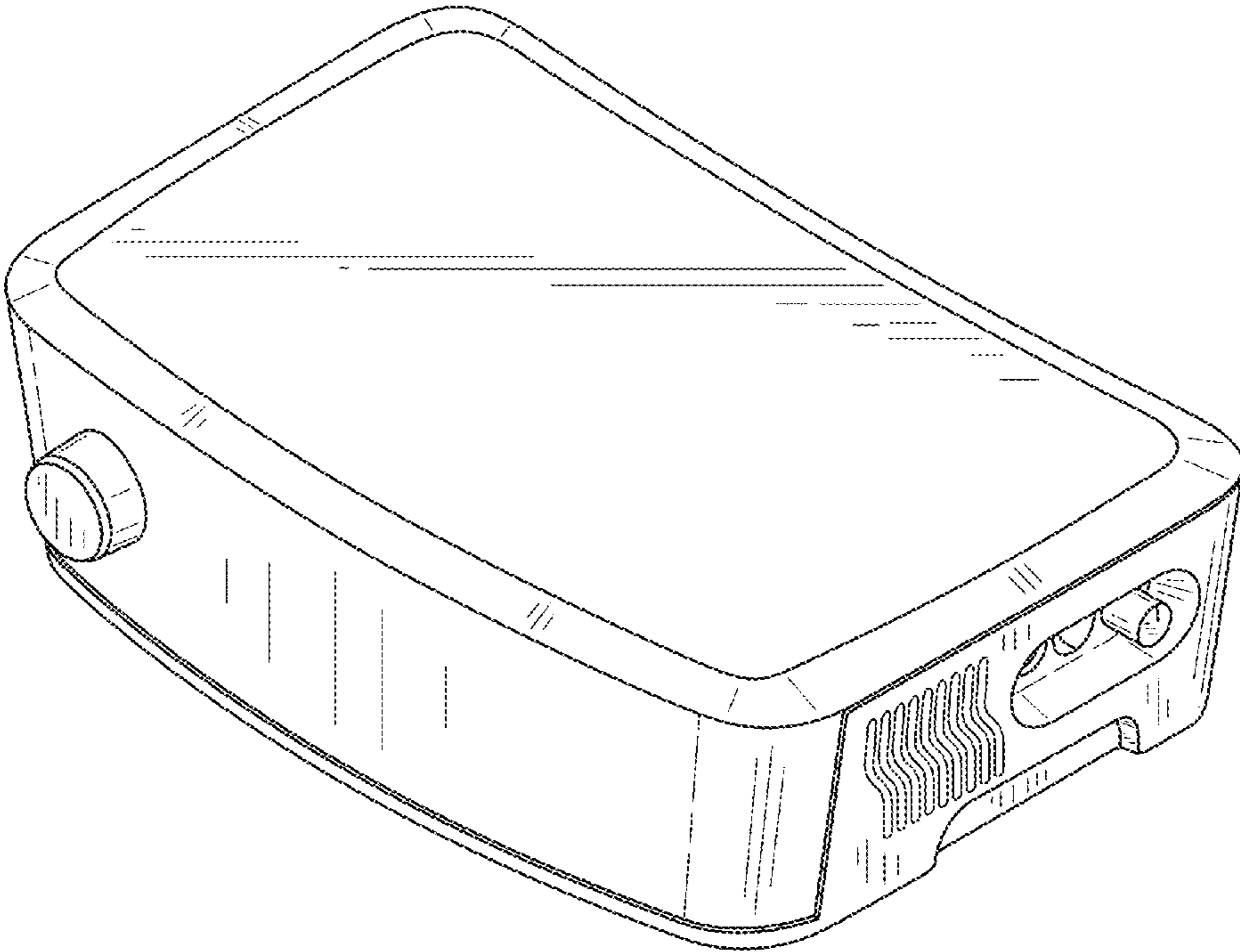


FIG.1

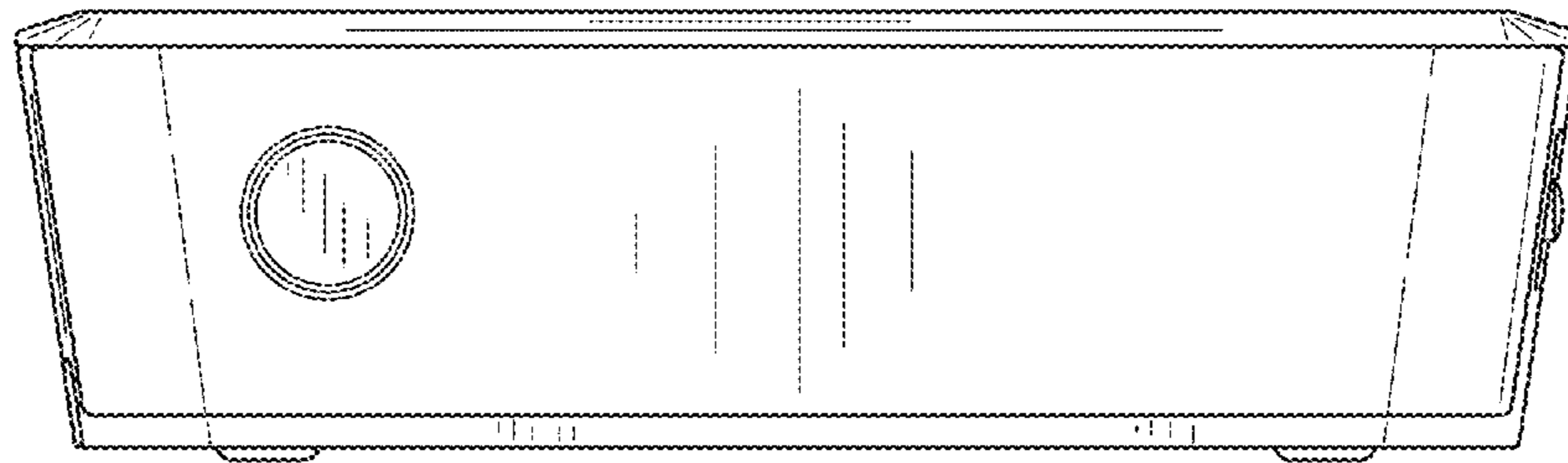


FIG. 2

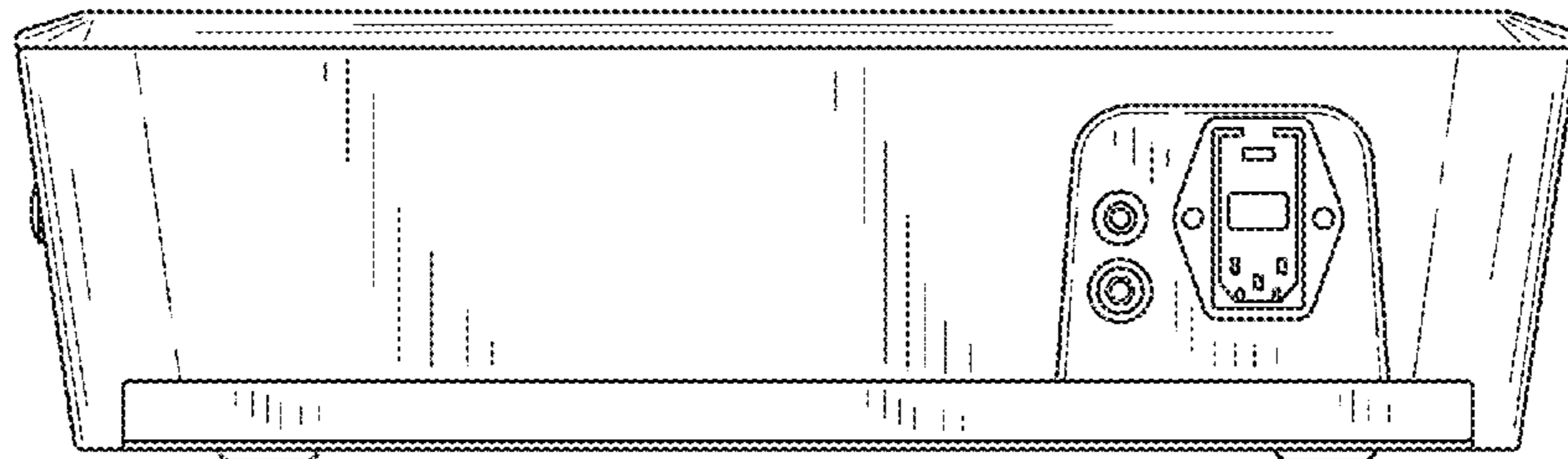


FIG. 3

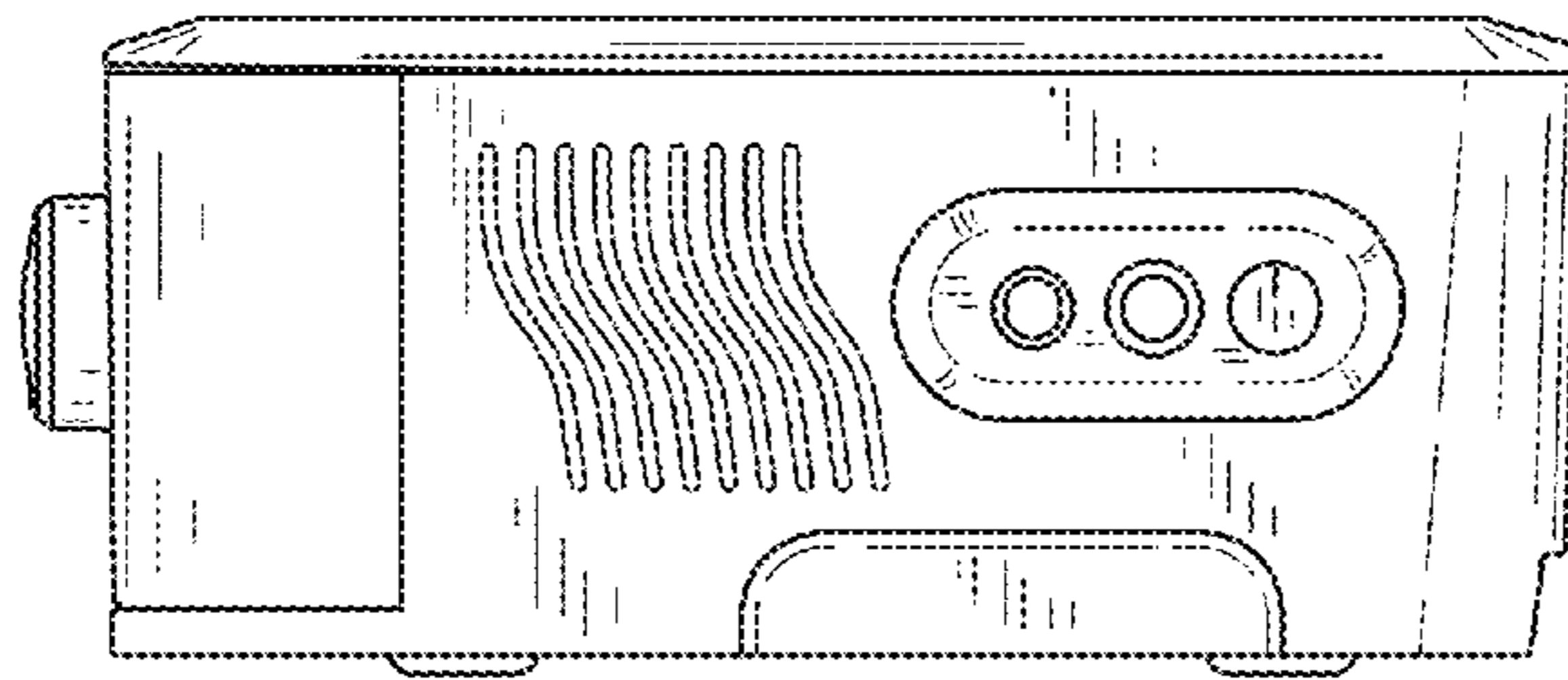


FIG. 4

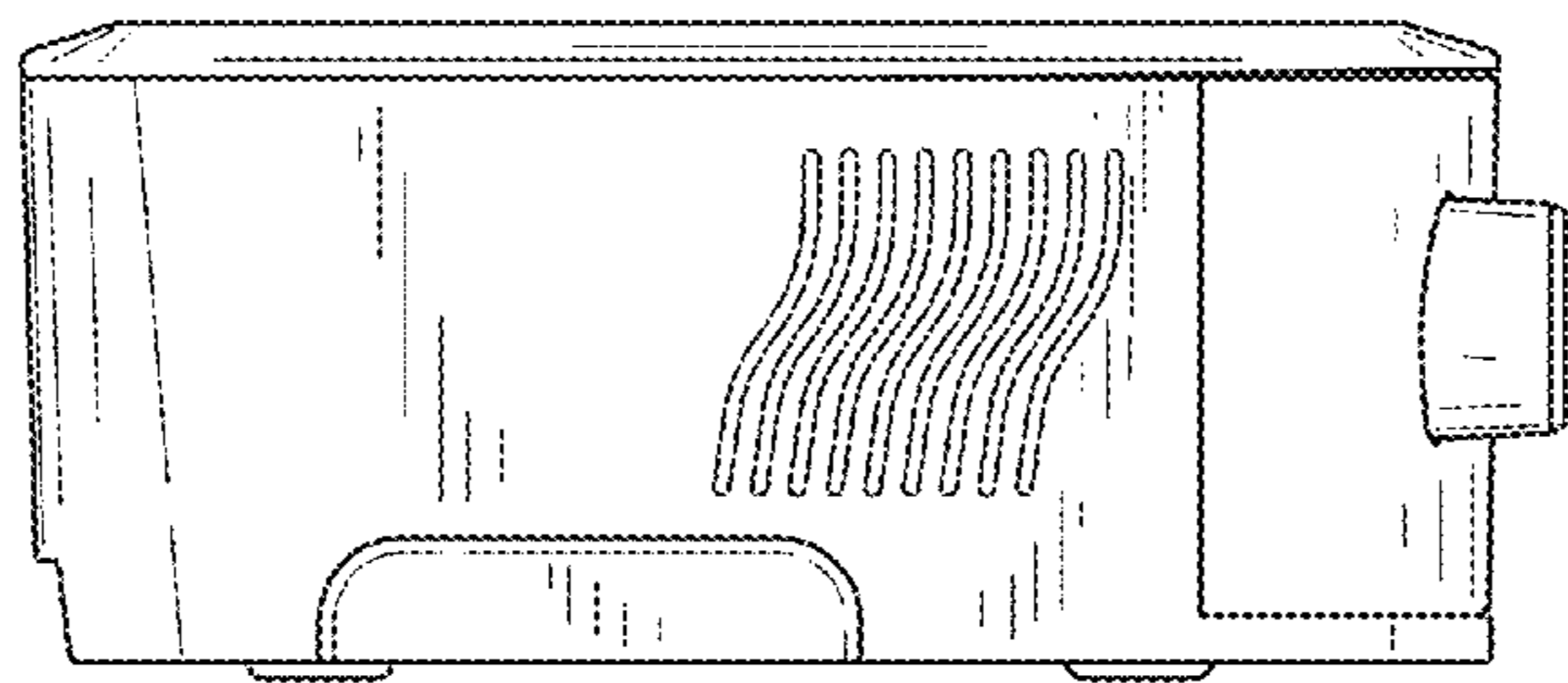


FIG. 5

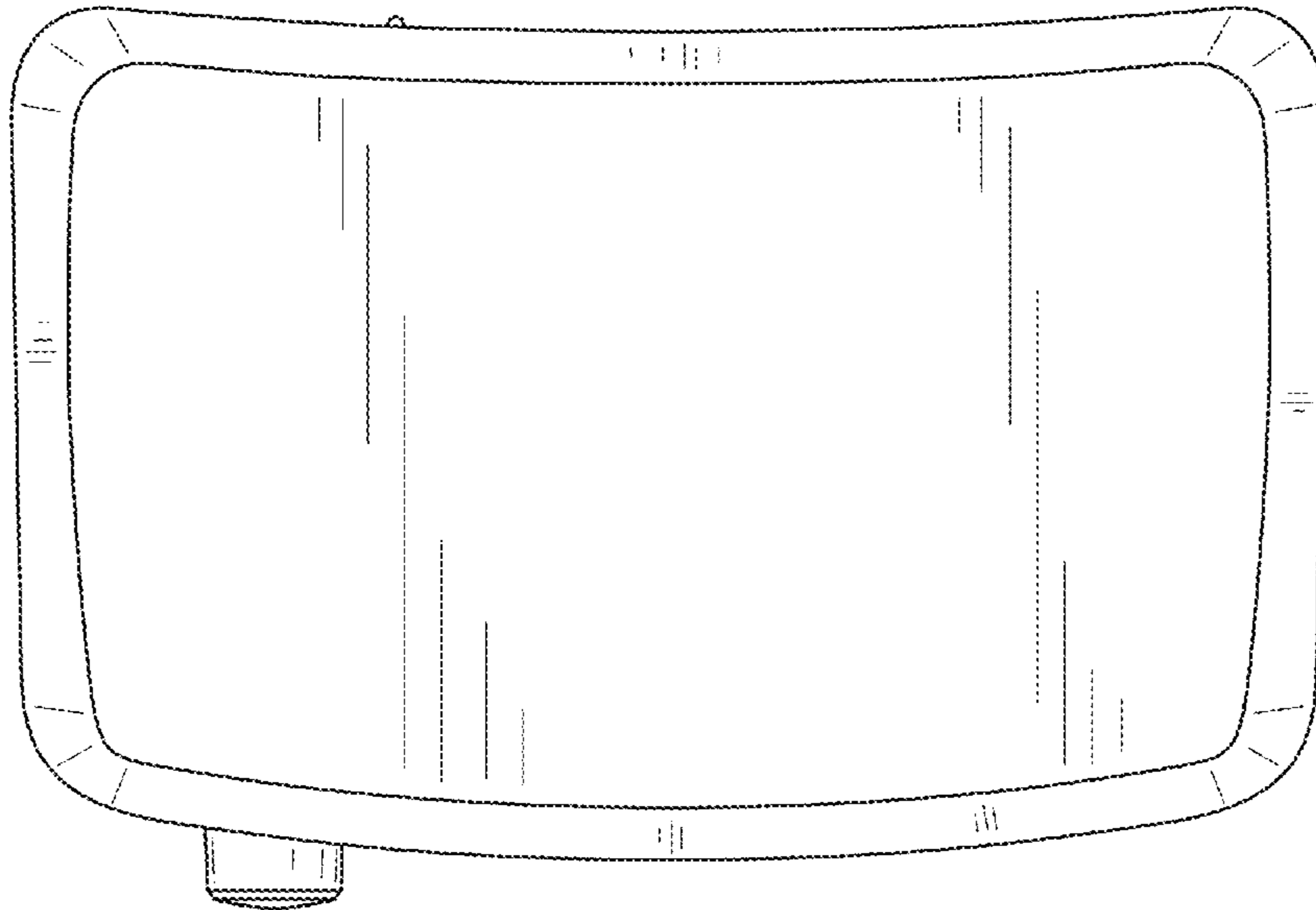


FIG. 6

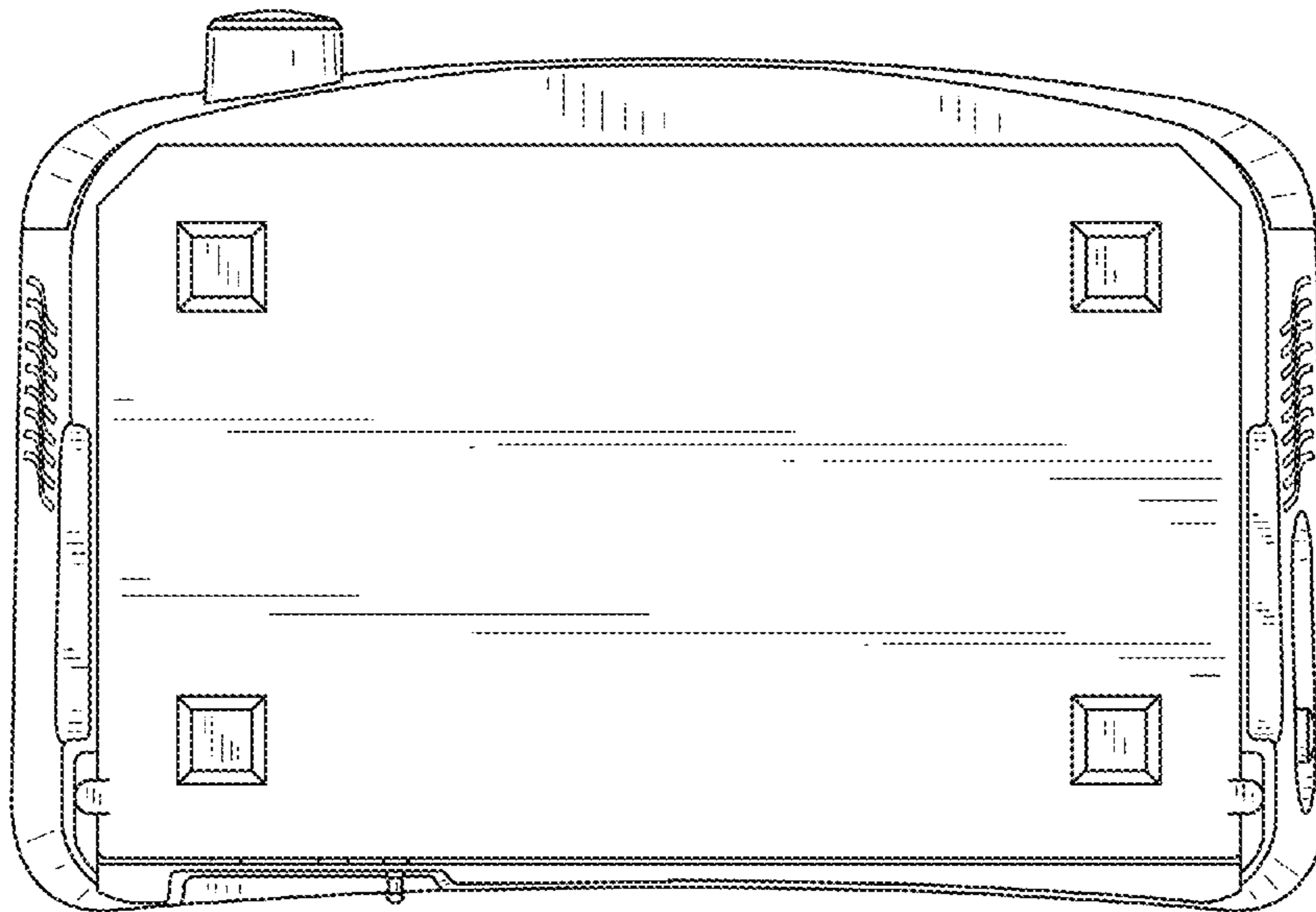


FIG. 7