



US00D669991S

(12) **United States Design Patent**  
**Presta et al.**

(10) **Patent No.:** **US D669,991 S**  
(45) **Date of Patent:** **\*\* Oct. 30, 2012**

(54) **ANALYTE METER**

(75) Inventors: **Matthew P. Presta**, San Mateo, CA (US); **Ronaldo F. Carreon**, San Francisco, CA (US); **Williams J. Evans**, San Francisco, CA (US)

(73) Assignee: **Abbott Diabetes Care Inc.**, Alameda, CA (US)

(\*\*) Term: **14 Years**

(21) Appl. No.: **29/354,699**

(22) Filed: **Jan. 27, 2010**

(51) **LOC (9) Cl.** ..... **24-01**

(52) **U.S. Cl.** ..... **D24/169**

(58) **Field of Classification Search** ..... D24/164-169, D24/107, 186, 187; D10/46, 78, 81; 435/14, 435/287.1; 422/56, 58, 68.1; 600/316, 322, 600/365, 368; D14/341

See application file for complete search history.

(56) **References Cited**

**U.S. PATENT DOCUMENTS**

|             |         |                 |
|-------------|---------|-----------------|
| D249,892 S  | 10/1978 | Aul et al.      |
| 4,627,445 A | 12/1986 | Garcia et al.   |
| 4,637,403 A | 1/1987  | Garcia et al.   |
| 4,787,398 A | 11/1988 | Garcia et al.   |
| D318,331 S  | 7/1991  | Phillips et al. |
| 5,029,583 A | 7/1991  | Meserol et al.  |
| D323,893 S  | 2/1992  | Arioka          |
| D324,570 S  | 3/1992  | Arioka et al.   |
| D325,975 S  | 5/1992  | Grade et al.    |
| D332,833 S  | 1/1993  | Lauks et al.    |
| D351,469 S  | 10/1994 | Okamoto et al.  |

(Continued)

**FOREIGN PATENT DOCUMENTS**

WO WO 2010/024971 3/2010

(Continued)

**OTHER PUBLICATIONS**

Boehringer Mannheim Corp., Accu-Chek® Advantage™ Blood Glucose Monitor, User's Manual.

(Continued)

*Primary Examiner* — Anhdao Doan

(74) *Attorney, Agent, or Firm* — Edward J. Baba; Bozicevic, Field & Francis LLP

(57) **CLAIM**

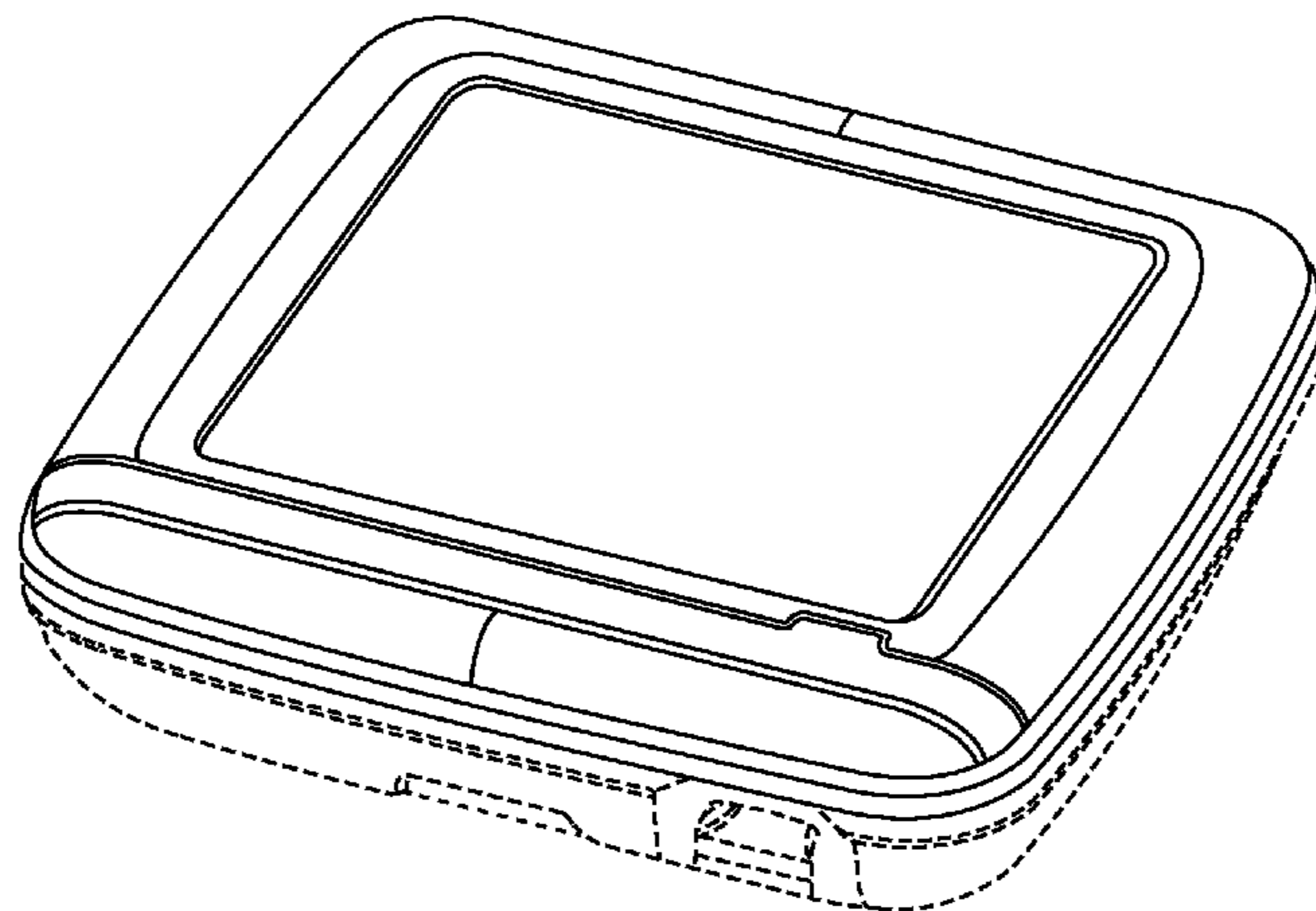
The ornamental design for an analyte meter, as shown and described.

**DESCRIPTION**

FIG. 1 is a perspective view of an analyte meter in the closed configuration, showing our new design, FIG. 2 is a front view of the analyte meter of FIG. 1 in the closed configuration, FIG. 3 is a rear view of the analyte meter of FIG. 1 in the closed configuration, FIG. 4 is a first side view of the analyte meter of FIG. 1 in the closed configuration, FIG. 5 is a second side view of the analyte meter of FIG. 1 in the closed configuration, FIG. 6 is a perspective view of the analyte meter of FIG. 1 in the open configuration, FIG. 7 is a front view of the analyte meter of FIG. 1 in the open configuration, FIG. 8 is a rear view of the analyte meter of FIG. 1 in the open configuration, FIG. 9 is a side view of the analyte meter of FIG. 1 in the open configuration; and, FIG. 10 is a side view of the analyte meter of FIG. 1 in the open configuration.

The broken line showing of structural features is included for the purpose of illustrating non-claimed subject matter and forms no part of the claimed design.

**1 Claim, 10 Drawing Sheets**



U.S. PATENT DOCUMENTS

5,397,537 A 3/1995 Kanda et al.  
 5,424,035 A 6/1995 Hones et al.  
 5,445,967 A 8/1995 Deuter  
 D369,216 S 4/1996 Micinski et al.  
 D369,864 S 5/1996 Petersen  
 5,515,170 A 5/1996 Matzinger et al.  
 D371,198 S 6/1996 Savage et al.  
 D371,440 S 7/1996 Petersen  
 D371,605 S 7/1996 Wong et al.  
 D376,763 S 12/1996 Flora et al.  
 D378,612 S 3/1997 Clark et al.  
 5,705,936 A 1/1998 Gibson et al.  
 5,714,123 A 2/1998 Sohrab  
 D392,740 S 3/1998 Yung et al.  
 D393,313 S 4/1998 Meisner et al.  
 D393,314 S 4/1998 Meisner et al.  
 D399,565 S 10/1998 Prokop et al.  
 D399,566 S 10/1998 Sohrab et al.  
 D399,959 S 10/1998 Prokop et al.  
 D399,960 S 10/1998 Prokop et al.  
 D402,369 S 12/1998 Prokop et al.  
 D406,895 S 3/1999 Byrd et al.  
 D411,621 S 6/1999 Eisenbarth et al.  
 D417,504 S 12/1999 Love et al.  
 D418,602 S 1/2000 Prokop et al.  
 D424,696 S 5/2000 Ray et al.  
 D426,638 S 6/2000 Ray et al.  
 D440,312 S 4/2001 Bertrand et al.  
 6,377,894 B1 \* 4/2002 Deweese et al. .... 422/68.1  
 6,424,847 B1 7/2002 Mastrototaro et al.  
 D465,026 S 10/2002 May et al.  
 D465,849 S 11/2002 May et al.  
 6,506,168 B1 1/2003 Fathallah et al.  
 6,514,460 B1 2/2003 Fendrock  
 D471,280 S 3/2003 Jaeck  
 D471,983 S 3/2003 Hippolyte et al.  
 D473,310 S 4/2003 Schlagheck et al.  
 6,562,625 B2 5/2003 Modzelewski et al.  
 D484,600 S 12/2003 Kaar et al.  
 6,706,159 B2 3/2004 Moerman et al.  
 D493,536 S 7/2004 Jaeck et al.  
 D495,418 S 8/2004 Rounds et al.  
 D496,461 S 9/2004 Neel et al.  
 D499,805 S 12/2004 D'Agostino  
 D510,711 S 10/2005 Syme et al.  
 D518,397 S 4/2006 Sydlowski et al.  
 D520,888 S 5/2006 Sydlowski et al.  
 D533,095 S 12/2006 Kaushal et al.  
 D534,445 S 1/2007 Kaushal et al.  
 D581,056 S \* 11/2008 Kurokawa et al. .... D24/186  
 D585,135 S \* 1/2009 Mori et al. .... D24/169  
 D611,151 S \* 3/2010 Lei ..... D24/169

2002/0115912 A1 8/2002 Muraki et al.  
 2002/0161288 A1 10/2002 Shin et al.  
 2003/0021729 A1 1/2003 Moller et al.  
 2003/0119202 A1 6/2003 Kaylor et al.  
 2003/0159944 A1 8/2003 Pottgen et al.  
 2004/0073095 A1 4/2004 Causey, III et al.  
 2006/0040333 A1 2/2006 Zocchi  
 2006/0259676 A1 \* 11/2006 Oberding et al. .... 600/365

FOREIGN PATENT DOCUMENTS

WO WO 2010/033503 3/2010

OTHER PUBLICATIONS

Boehringer Mannheim Corp., Accu-Chek® Easy™, Blood Glucose Monitoring System, User's Manual, © 1995.  
 Boehringer Mannheim Corp., Accu-Chek® Instant™, Blood Glucose Monitoring System, User's Manual.  
 Lifescan, Inc., One Touch® Basic™, Blood Glucose Monitoring System, Owner's Booklet, © 1993. Rev. Feb. 1993.  
 Lifescan, Inc., One Touch® Profile™, Diabetes Tracking System, Owner's Booklet, © 1995.  
 Lifescan, Inc., One Touch®, Ultra Smart™ Blood Glucose Monitoring System, Owner's Booklet, © 2002, cover pages and pp. x, 2.  
 Lifescan, Inc., Surestep™, Complete Blood Glucose Monitoring System, Owner's Booklet, © 1995.  
 MediSense, Inc., ExactTech® R.S.G™, Blood Glucose Testing System for In vitro Diagnostic Use, User's Manual, © 1996. Rev. Sep. 1996.  
 MediSense, Inc., MediSense® 2, Blood Glucose Testing System for In Vitro Diagnostic Use, User's Manual, © 1994, Rev. Dec. 1994.  
 MediSense, Inc., Pen™ 2 Companion™ 2 Sensor, Blood Glucose Testing System, User's Manual, © 1992. Rev. Dec. 1992.  
 MediSense, Inc., Precision Q.I.D™ Blood Glucose Testing System for In Vitro Diagnostic Use, User's Manual. 01994. Rev. Dec. 1994.  
 Miles, Inc., Glucometer ELITE™, Diabetes Care System, User guide, © 1993. Rev. Feb. 1993.  
 Miles, Inc., Glucometer ENCORE™, Diabetes Care System, User Guide, © 1994. Rev. Mar. 1994.  
 Photographs (3) of Bayer Glucometer Elite.  
 Photographs (3) of Bayer Glucometer Encore.  
 Photographs (3) of Boehringer Mannheim Accu-Check Advantage.  
 Photographs (3) of Boehringer Mannheim Accu-Check Easy.  
 Photographs (3) of Boehringer Mannheim Accu-Check Instant.  
 Photographs (3) of Lifescan One Scan Basic.  
 Photographs (3) of Lifescan One Touch Profile.  
 Photographs (3) of Lifescan SureStep.  
 Photographs (3) of Sensorex.

\* cited by examiner

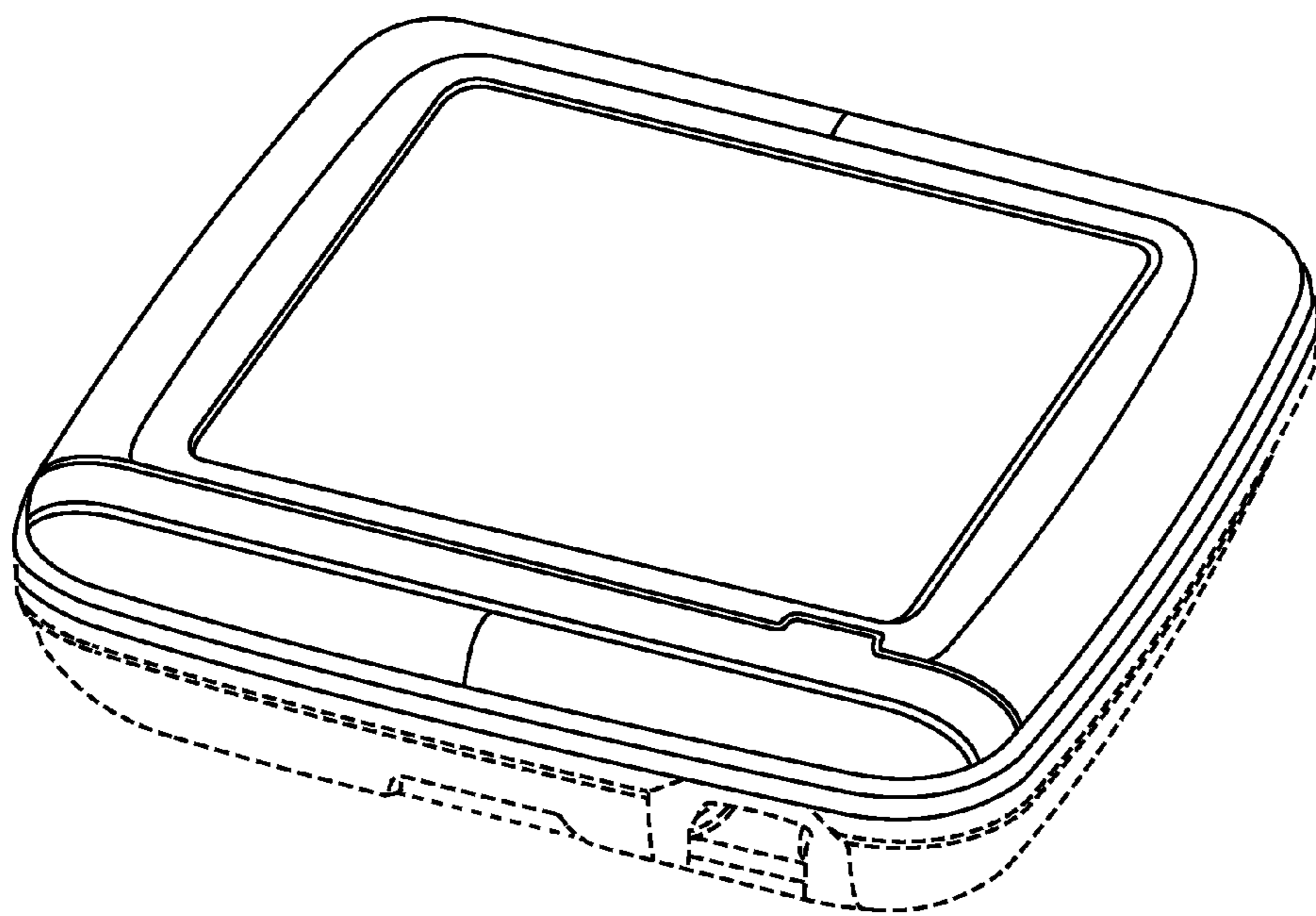


FIG. 1



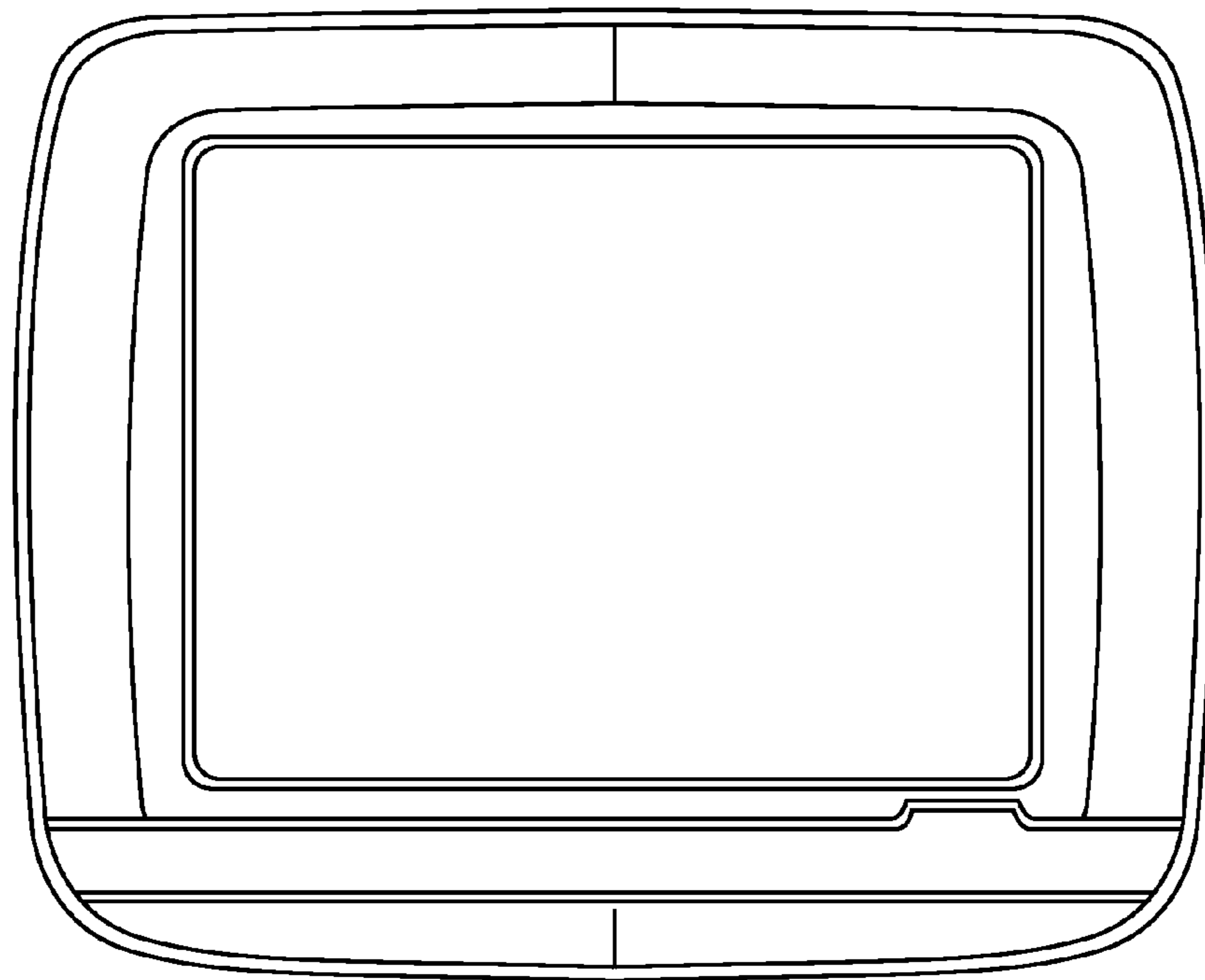


FIG. 2

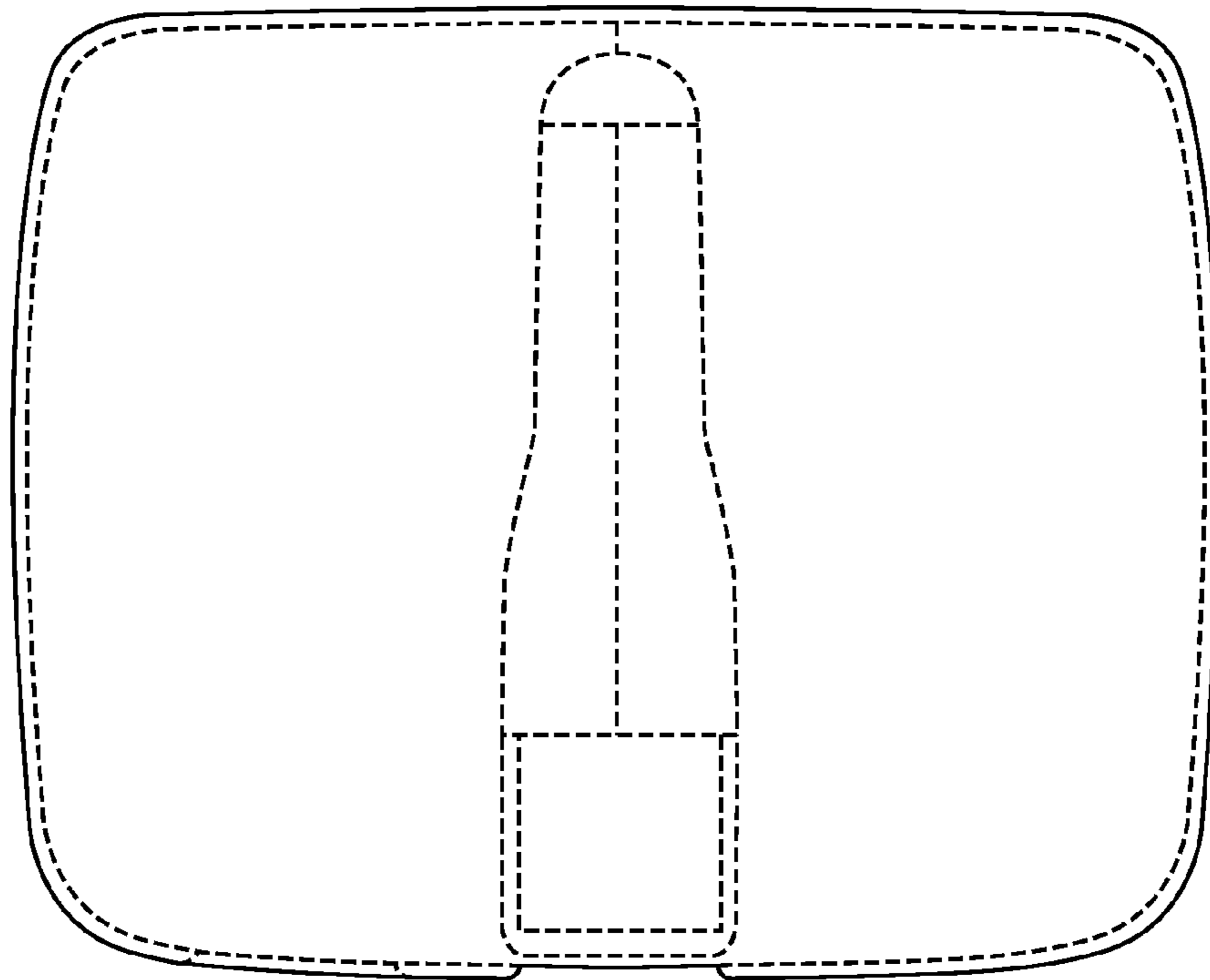


FIG. 3

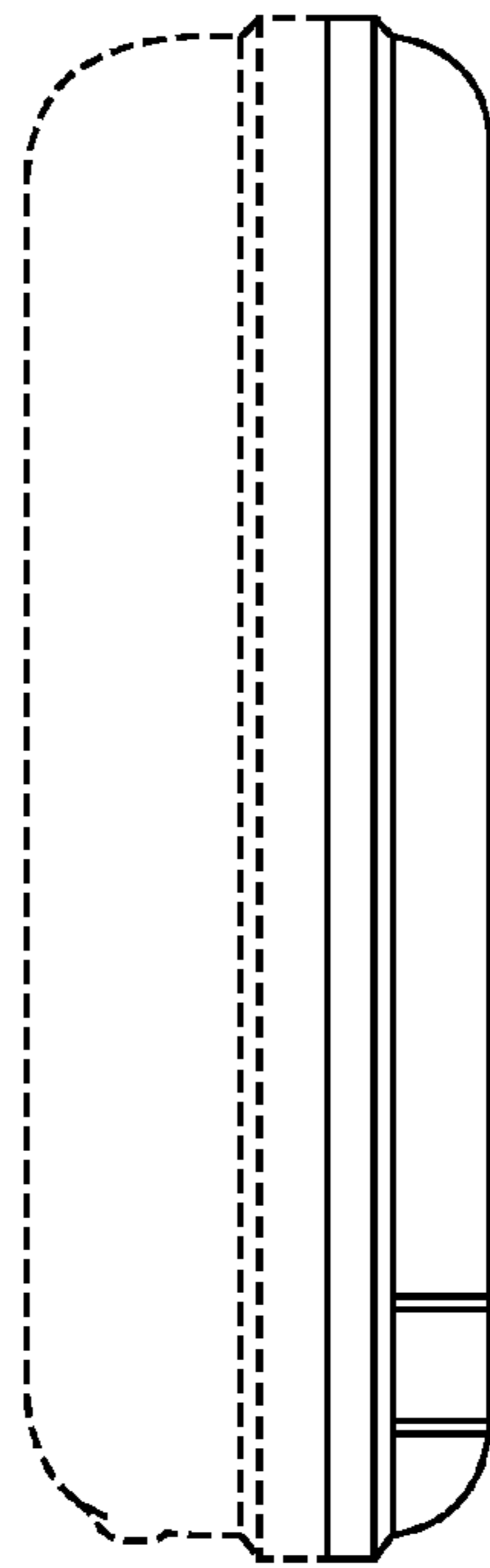


FIG. 4

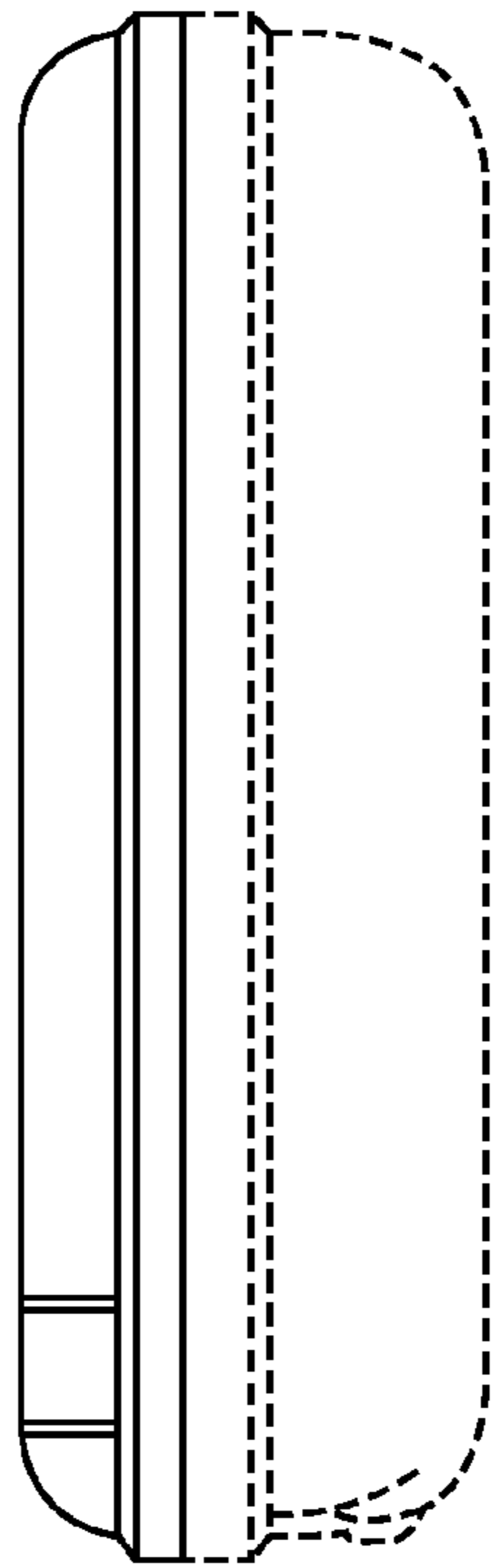


FIG. 5

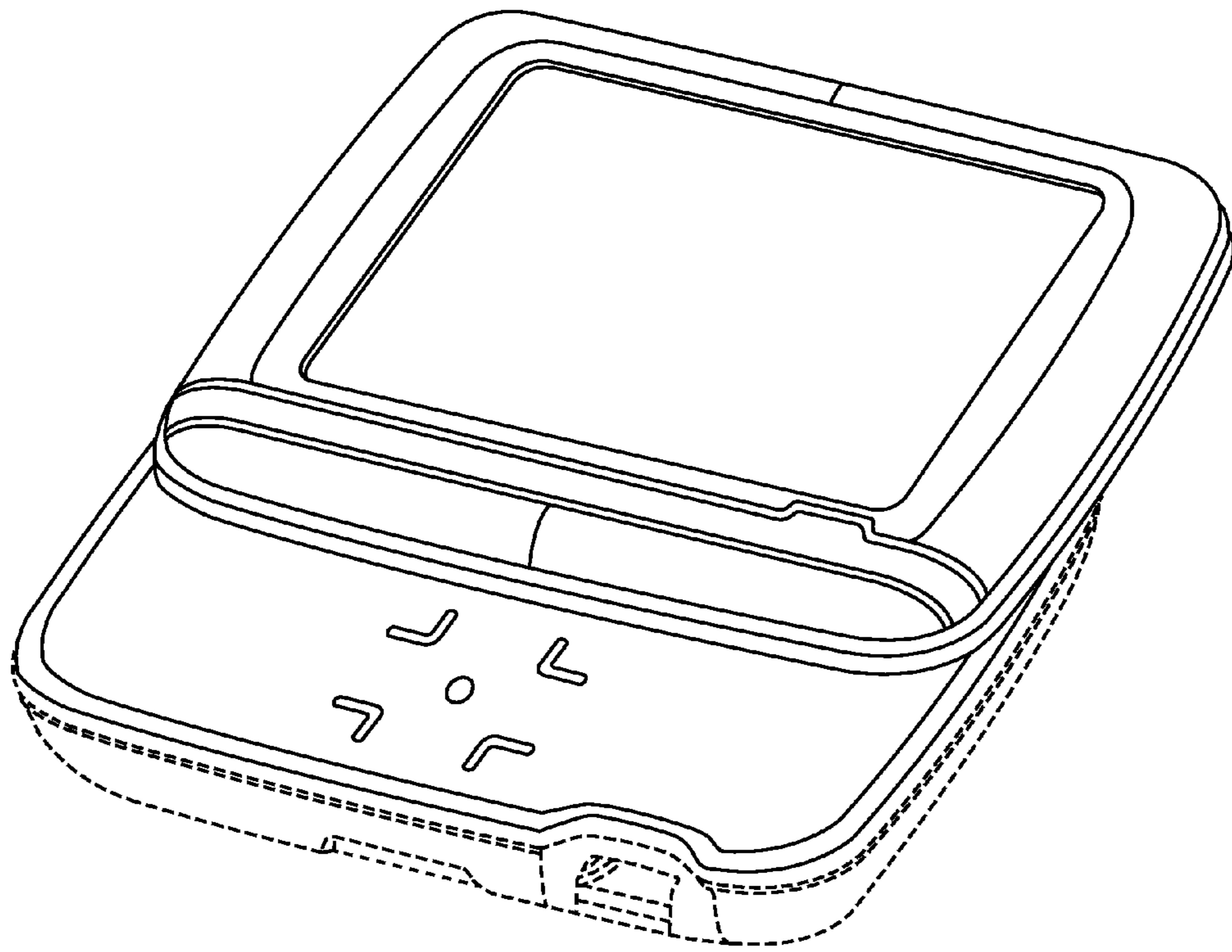


FIG. 6



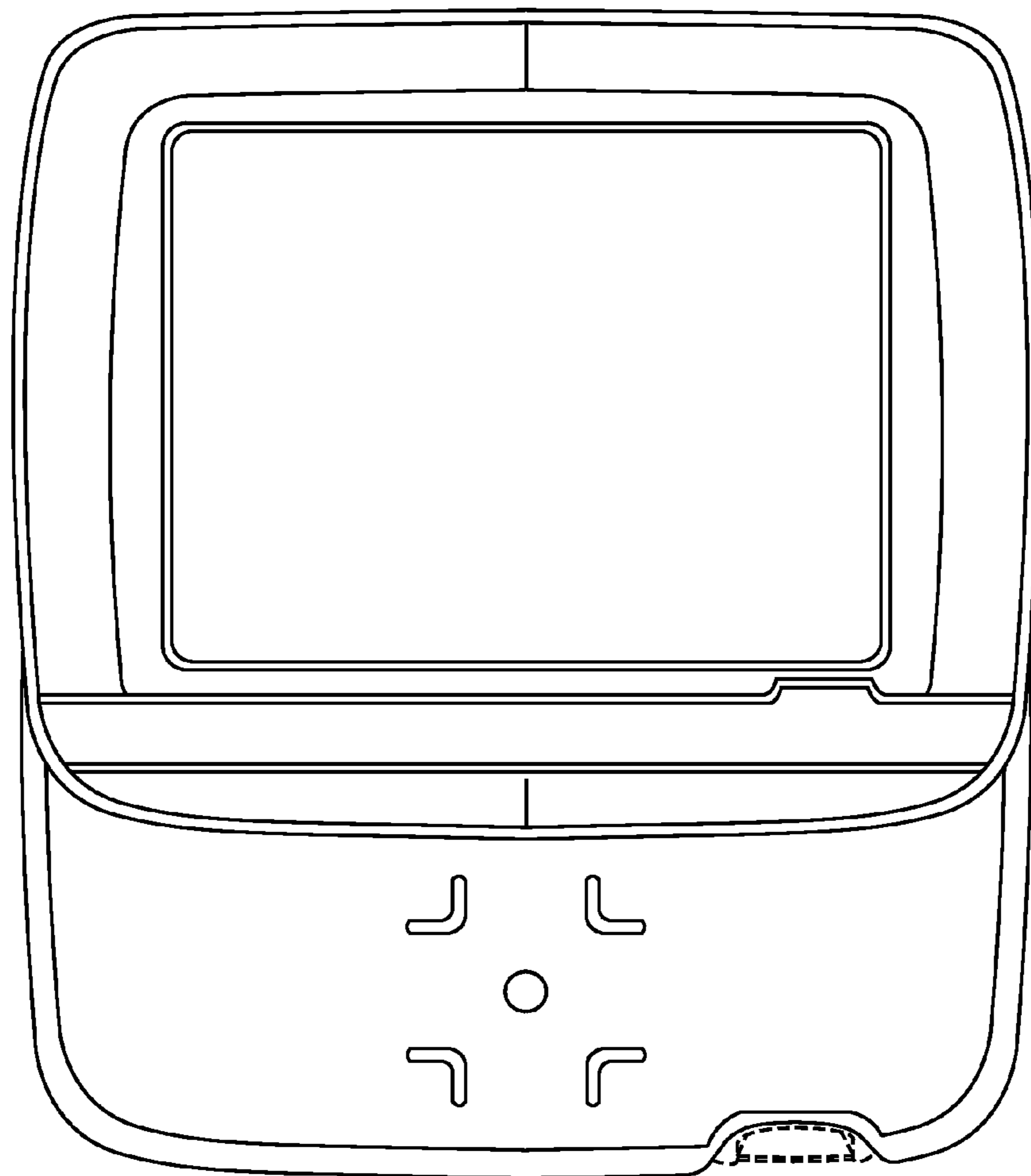


FIG. 7

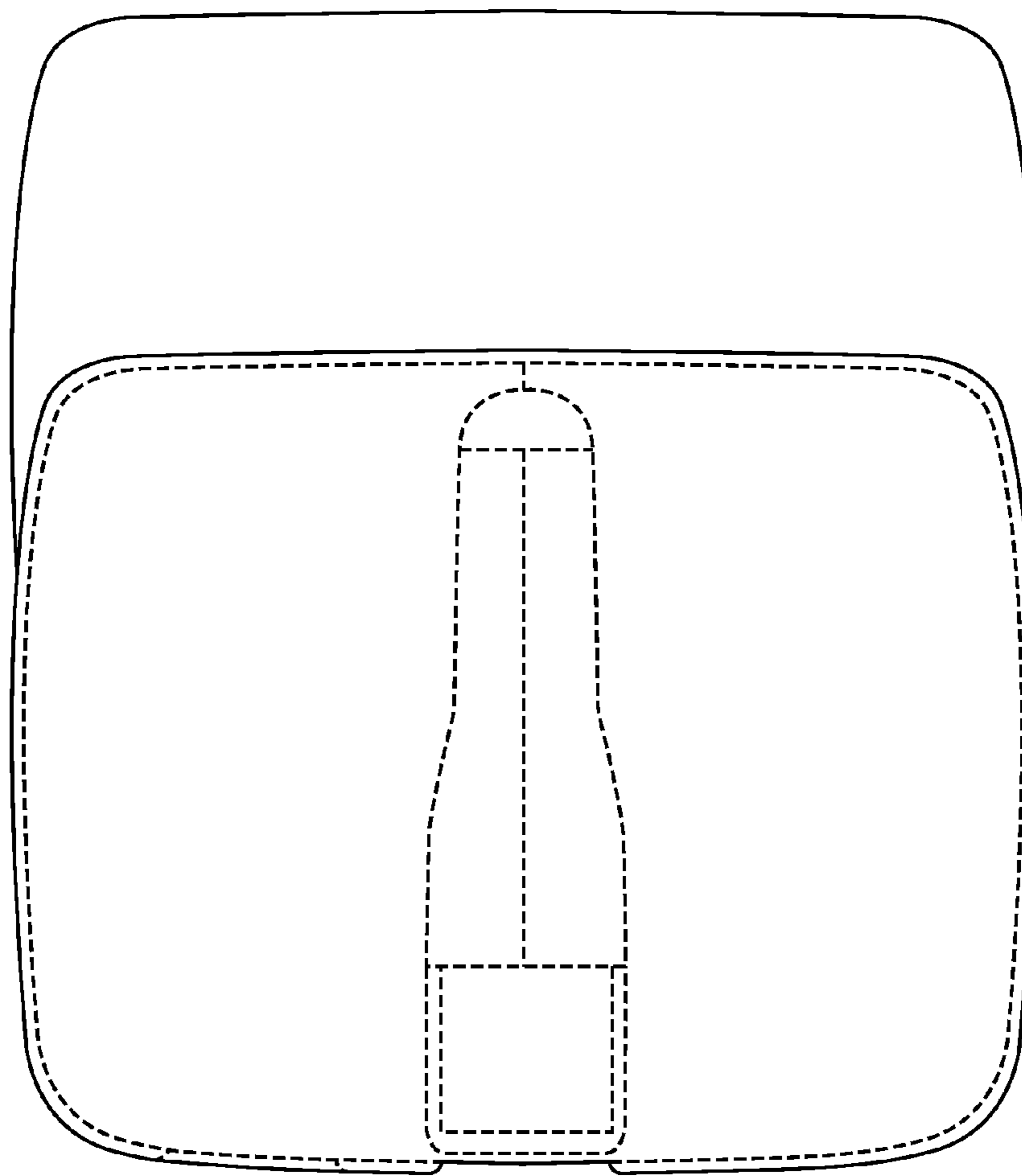


FIG. 8

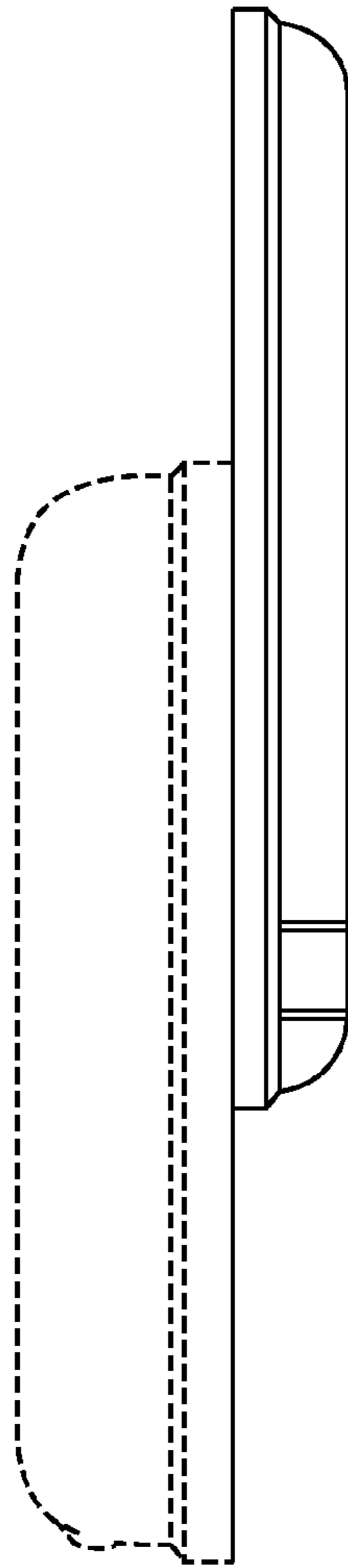


FIG. 9

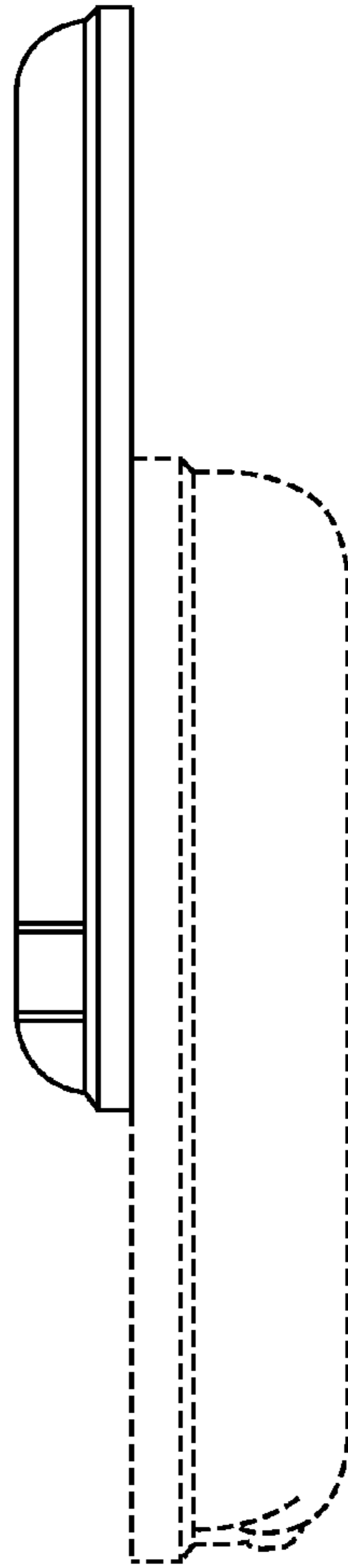


FIG. 10