

US00D669990S

(12) **United States Design Patent**
Degruytere

(10) **Patent No.:** **US D669,990 S**

(45) **Date of Patent:** **** Oct. 30, 2012**

(54) **MEDICAL IMAGING PLATE**

(75) Inventor: **Simon Degruytere, Niel (BE)**

(73) Assignee: **Orfit Industries, Wijnegem (BE)**

(**) Term: **14 Years**

(21) Appl. No.: **29/414,229**

(22) Filed: **Feb. 27, 2012**

(30) **Foreign Application Priority Data**

Sep. 26, 2011 (EM) 001295083-0001

(51) **LOC (9) Cl.** **24-01**

(52) **U.S. Cl.** **D24/158**

(58) **Field of Classification Search** 378/65,
378/208, 209; 600/44, 414, 426, 427; 5/601;
D24/188, 184, 200, 190, 158, 159, 171

See application file for complete search history.

(56) **References Cited**

U.S. PATENT DOCUMENTS

D406,345 S *	3/1999	Huttner	D24/158
D471,634 S *	3/2003	Crutchfield	D24/190
D480,146 S *	9/2003	Crutchfield	D24/190

* cited by examiner

Primary Examiner — T. Chase Nelson

Assistant Examiner — Ania Aman

(74) *Attorney, Agent, or Firm* — Kirschstein, et al.

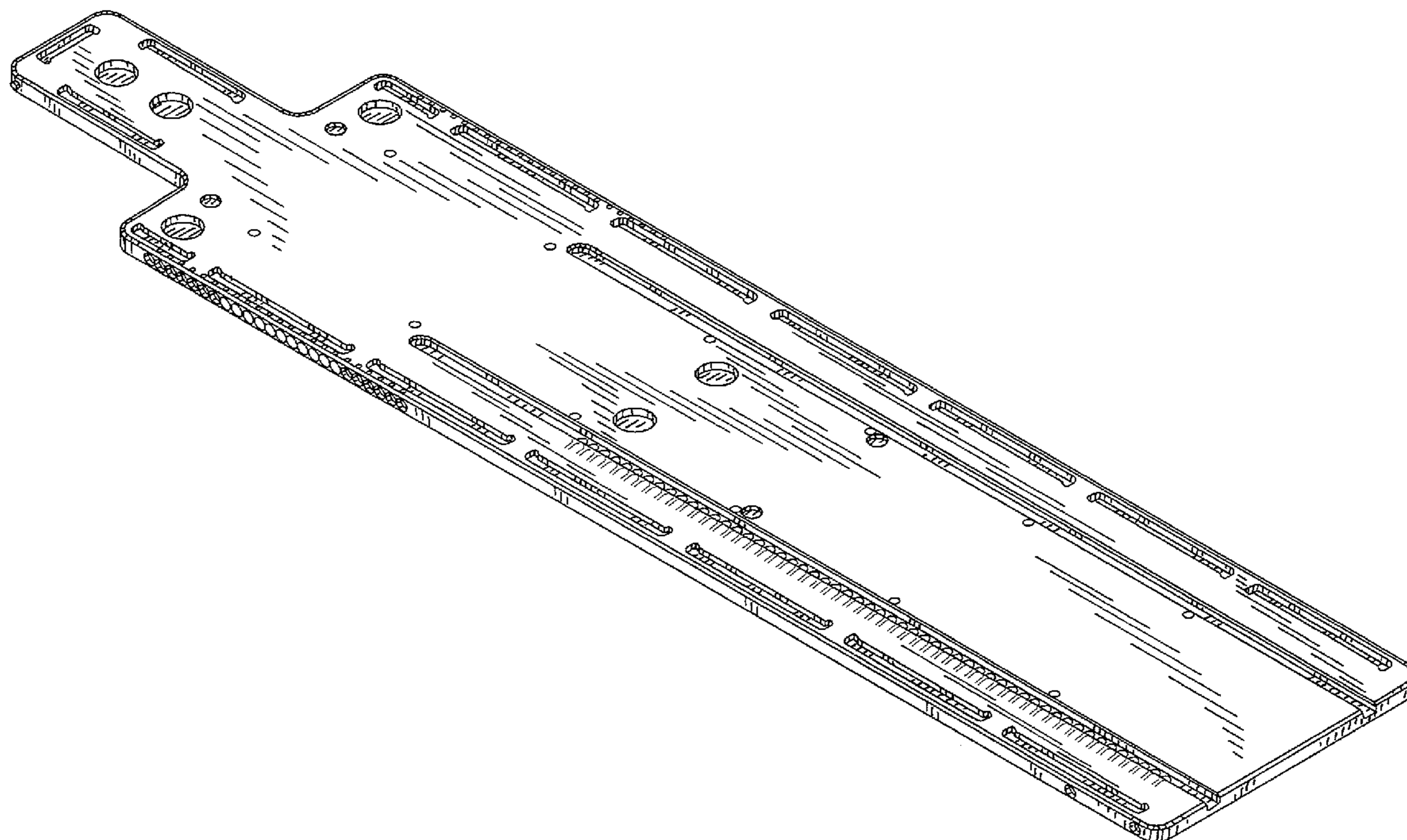
(57) **CLAIM**

The ornamental design for a medical imaging plate, as shown and described.

DESCRIPTION

FIG. 1 is a front perspective view of a medical imaging plate according to my new design;
FIG. 2 is a top plan view thereof;
FIG. 3 is a side elevational view, the opposite side being a mirror image;
FIG. 4 is a right side elevational view thereof;
FIG. 5 is a left side elevational view thereof; and,
FIG. 6 is a bottom plan view thereof.

1 Claim, 3 Drawing Sheets



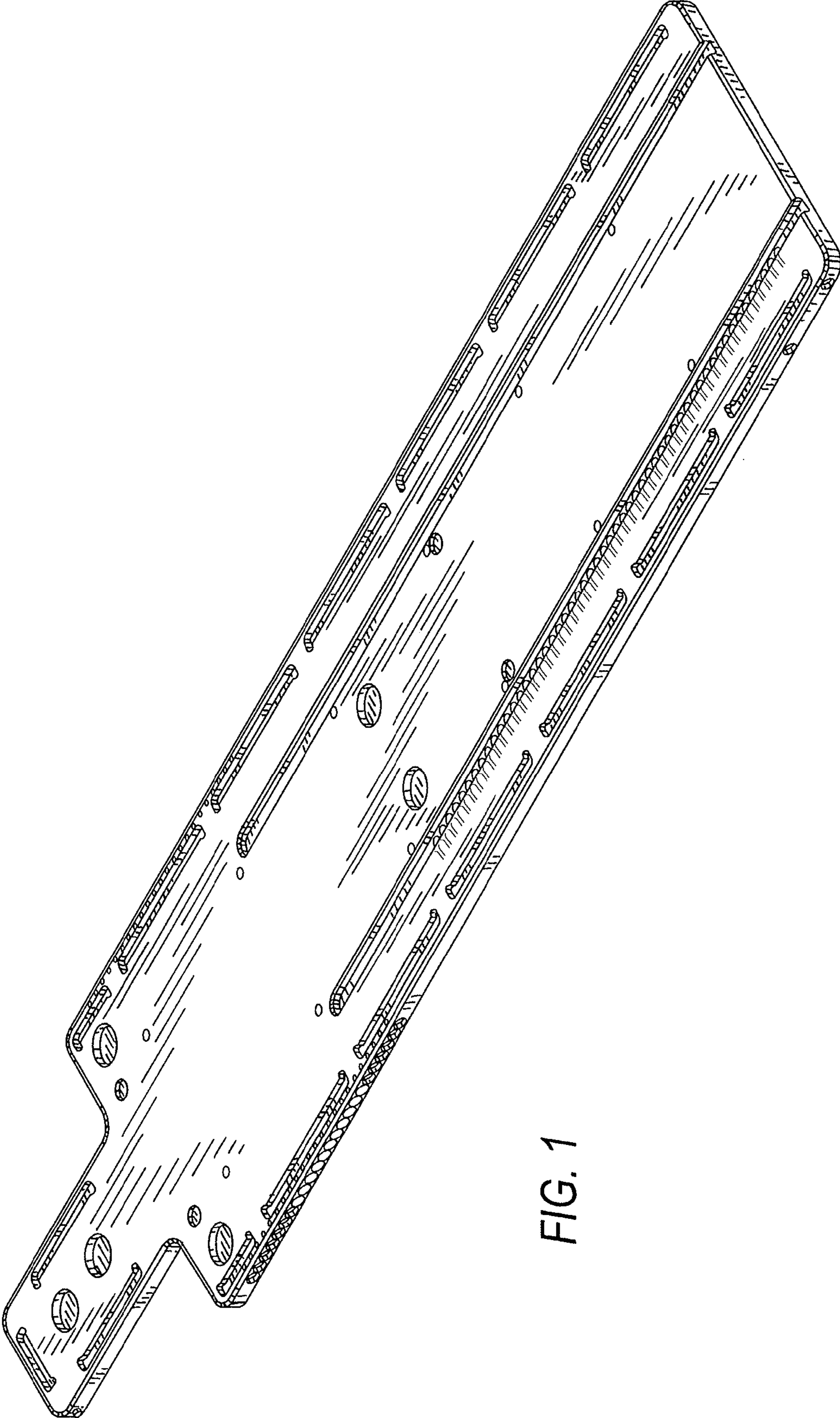


FIG. 1

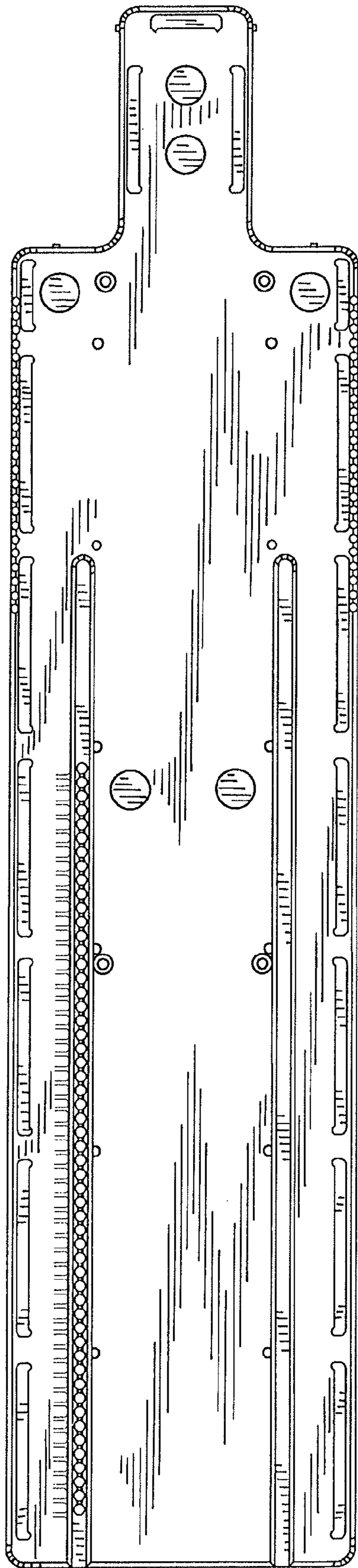


FIG. 2



FIG. 3



FIG. 4



FIG. 5

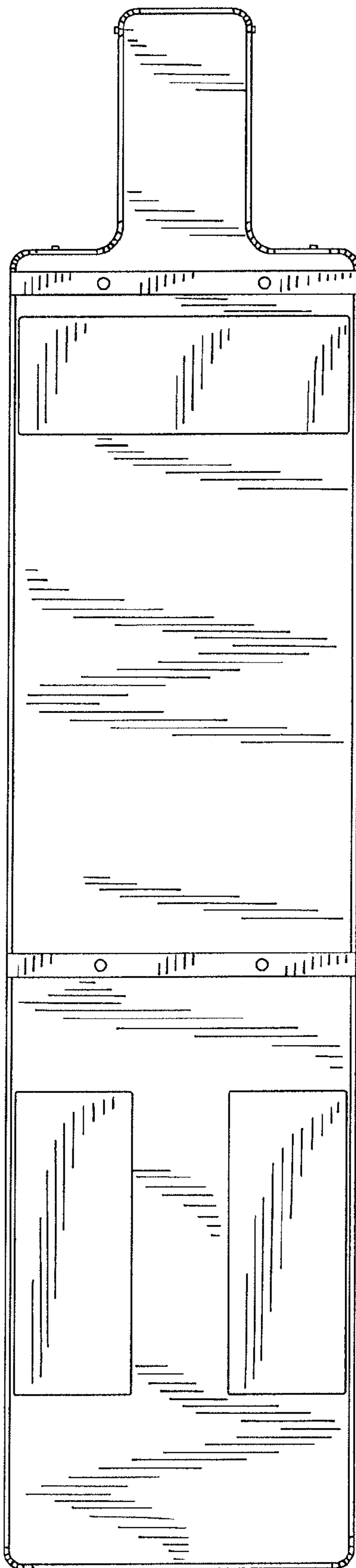


FIG. 6