



US00D669989S

(12) **United States Design Patent**
Boudier

(10) **Patent No.:** **US D669,989 S**

(45) **Date of Patent:** **** Oct. 30, 2012**

(54) **MAMMOGRAPHY SYSTEM**

(75) Inventor: **Aurelie Boudier**, Bois d'Arcy (FR)

(73) Assignee: **General Electric Company**,
Schenetady, NY (US)

(**) Term: **14 Years**

(21) Appl. No.: **29/400,529**

(22) Filed: **Aug. 30, 2011**

(51) **LOC (9) Cl.** **24-01**

(52) **U.S. Cl.** **D24/158**

(58) **Field of Classification Search** D24/158-161,
D24/183-185, 186, 187; 378/4, 15, 17, 20,
378/21, 23-27, 62, 68, 146, 37, 155, 195-198,
378/208

See application file for complete search history.

(56) **References Cited**

U.S. PATENT DOCUMENTS

4,979,196	A *	12/1990	Lieutaud et al.	378/37
4,998,270	A *	3/1991	Scheid et al.	378/155
D331,110	S *	11/1992	Virta et al.	D24/158
D334,980	S *	4/1993	Pritchard	D24/158
D342,137	S *	12/1993	Guentner	D24/158
D360,947	S *	8/1995	Saks-Cohan	D24/158
D563,553	S *	3/2008	Saito et al.	D24/158
7,742,796	B2 *	6/2010	Eberhard et al.	600/407
2006/0241423	A1 *	10/2006	Anderson et al.	600/437

2009/0135996	A1 *	5/2009	Muller et al.	378/37
2009/0213986	A1 *	8/2009	Thaler	378/37
2009/0304159	A1 *	12/2009	Meer et al.	378/208
2011/0087132	A1 *	4/2011	DeFreitas et al.	600/567

* cited by examiner

Primary Examiner — Anhdao Doan

(74) *Attorney, Agent, or Firm* — The Small Patent Law Group; Dean D. Small

(57) **CLAIM**

The ornamental design for a mammography system, as shown and described.

DESCRIPTION

FIG. 1 is a front and right perspective view of a mammography system;

FIG. 2 is a top, front, and left perspective view thereof shown in a tilted portion;

FIG. 3 is a top and front perspective view thereof shown in a tilted portion;

FIG. 4 is a front view thereof;

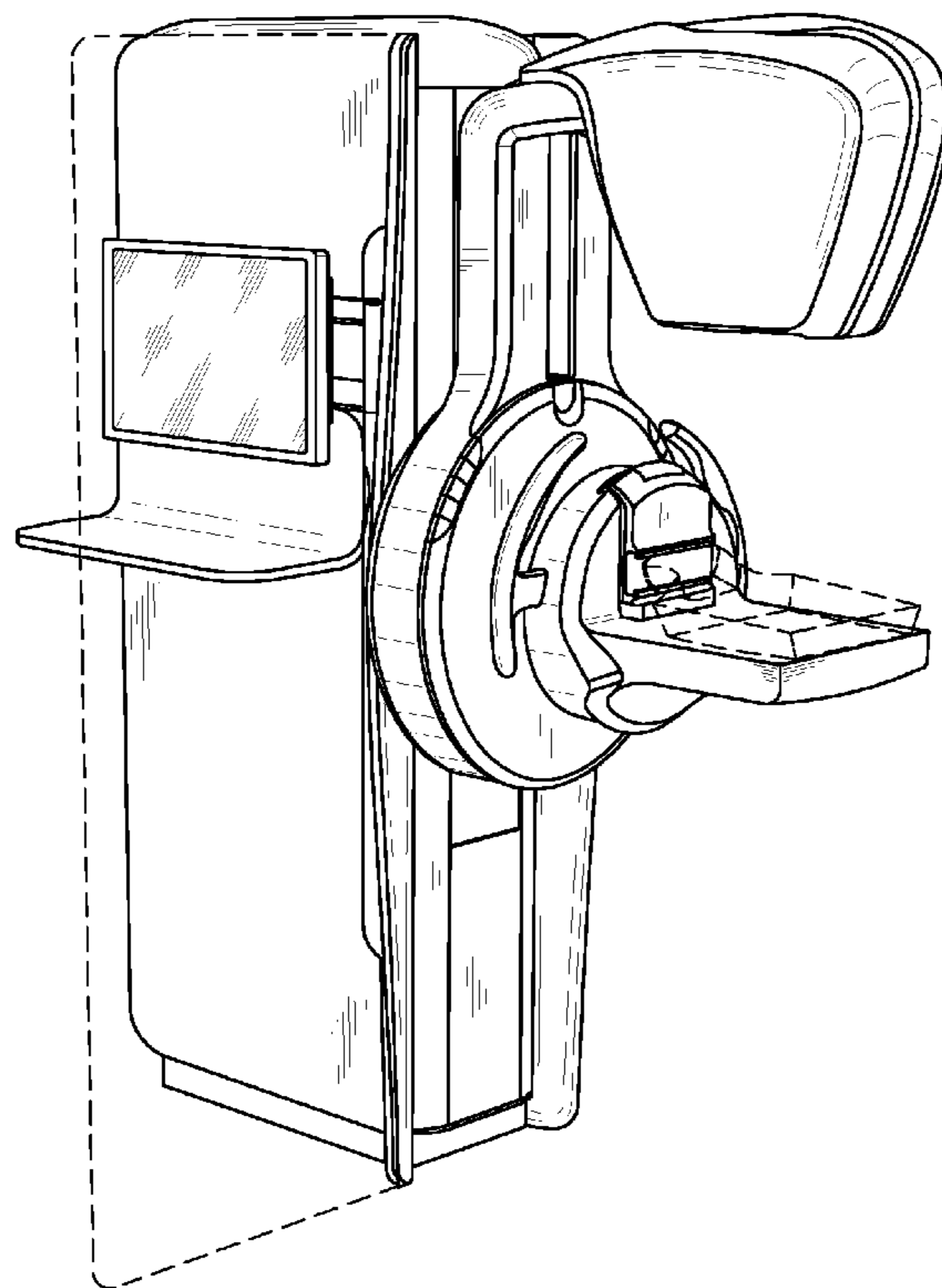
FIG. 5 is a top plan view thereof;

FIG. 6 is a right side view thereof; and,

FIG. 7 is a left side view thereof.

The broken lines in the drawing views represent unclaimed portions of the mammography system and form no part of the claimed design.

1 Claim, 7 Drawing Sheets



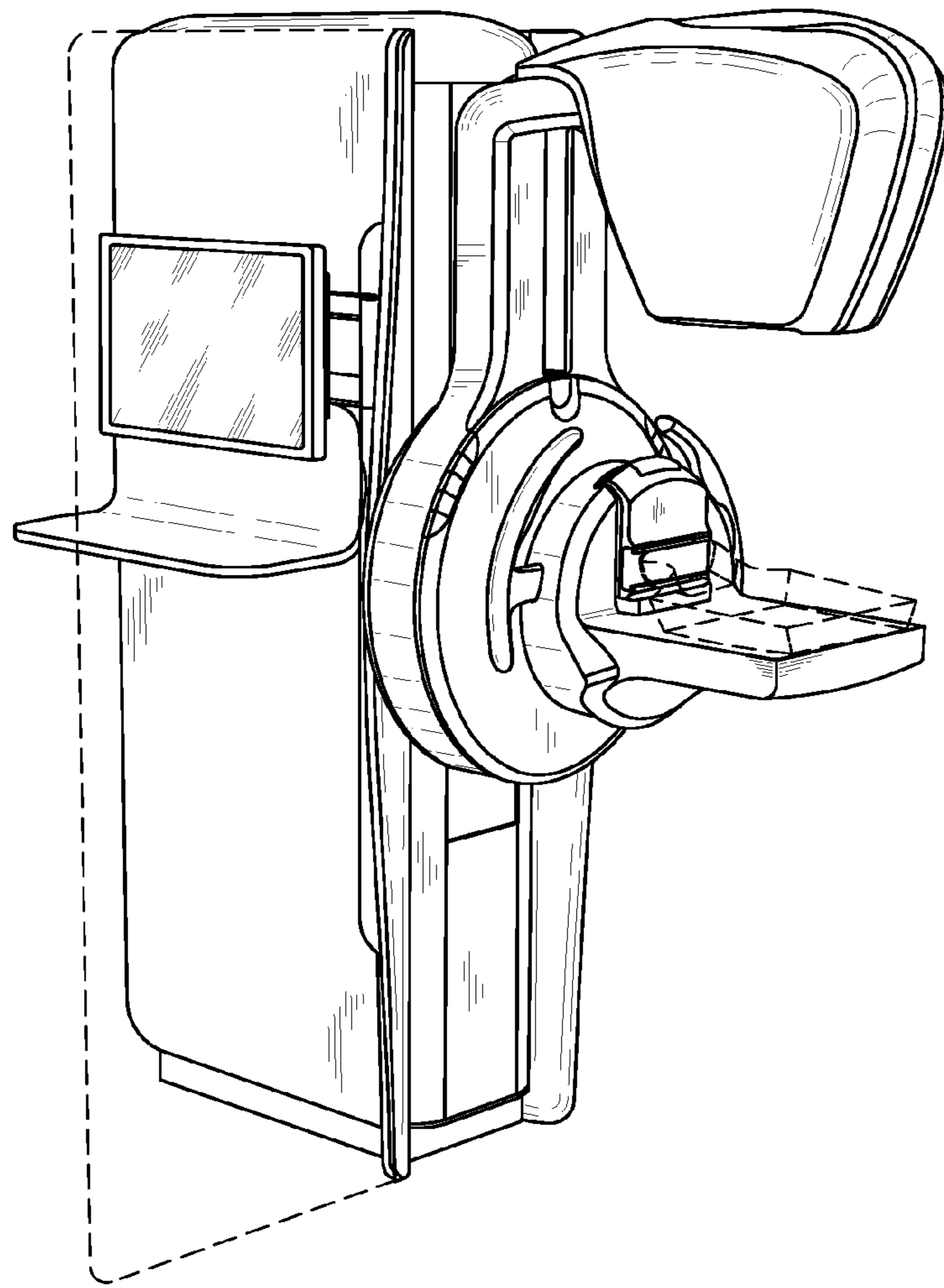


FIG. 1

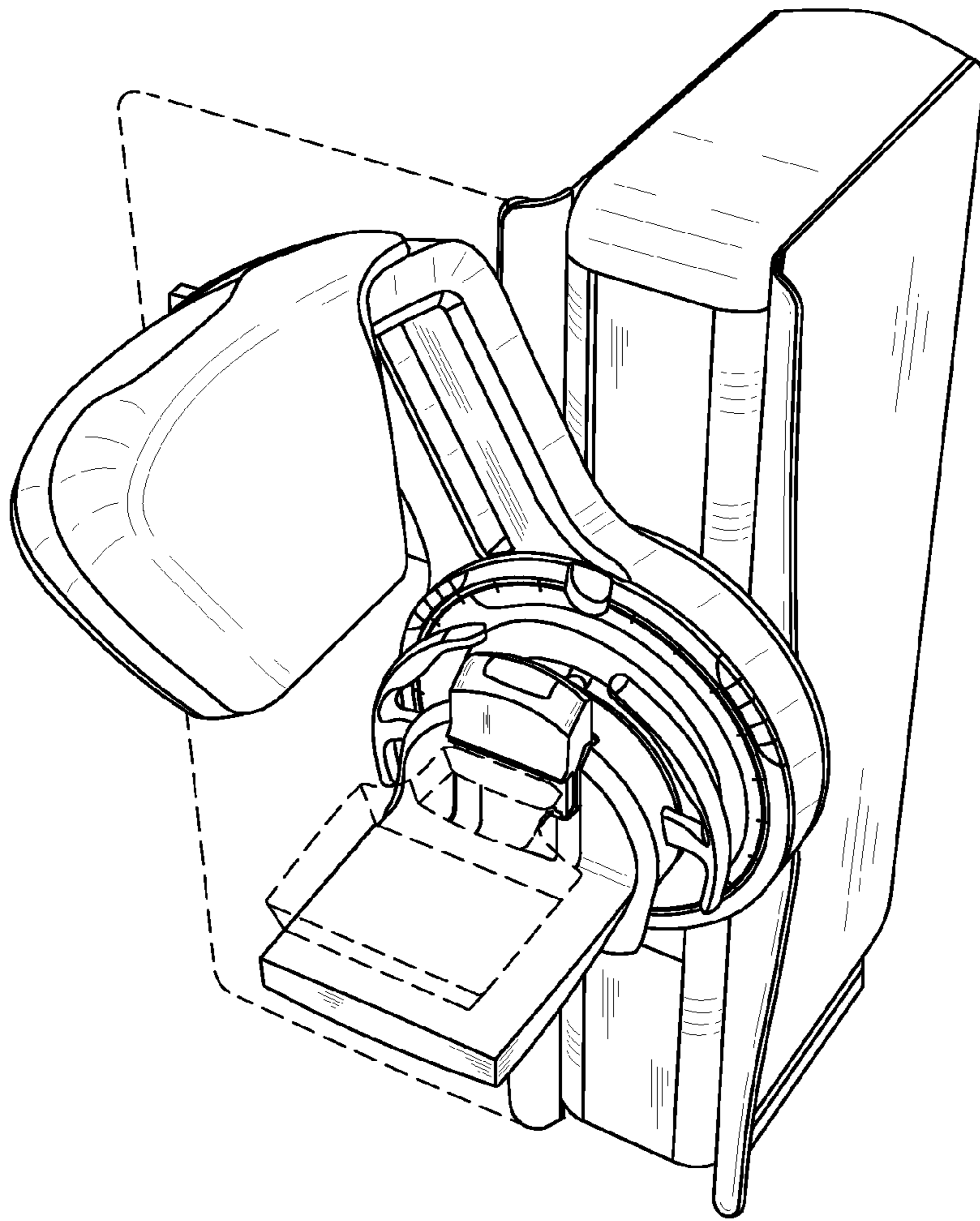


FIG. 2

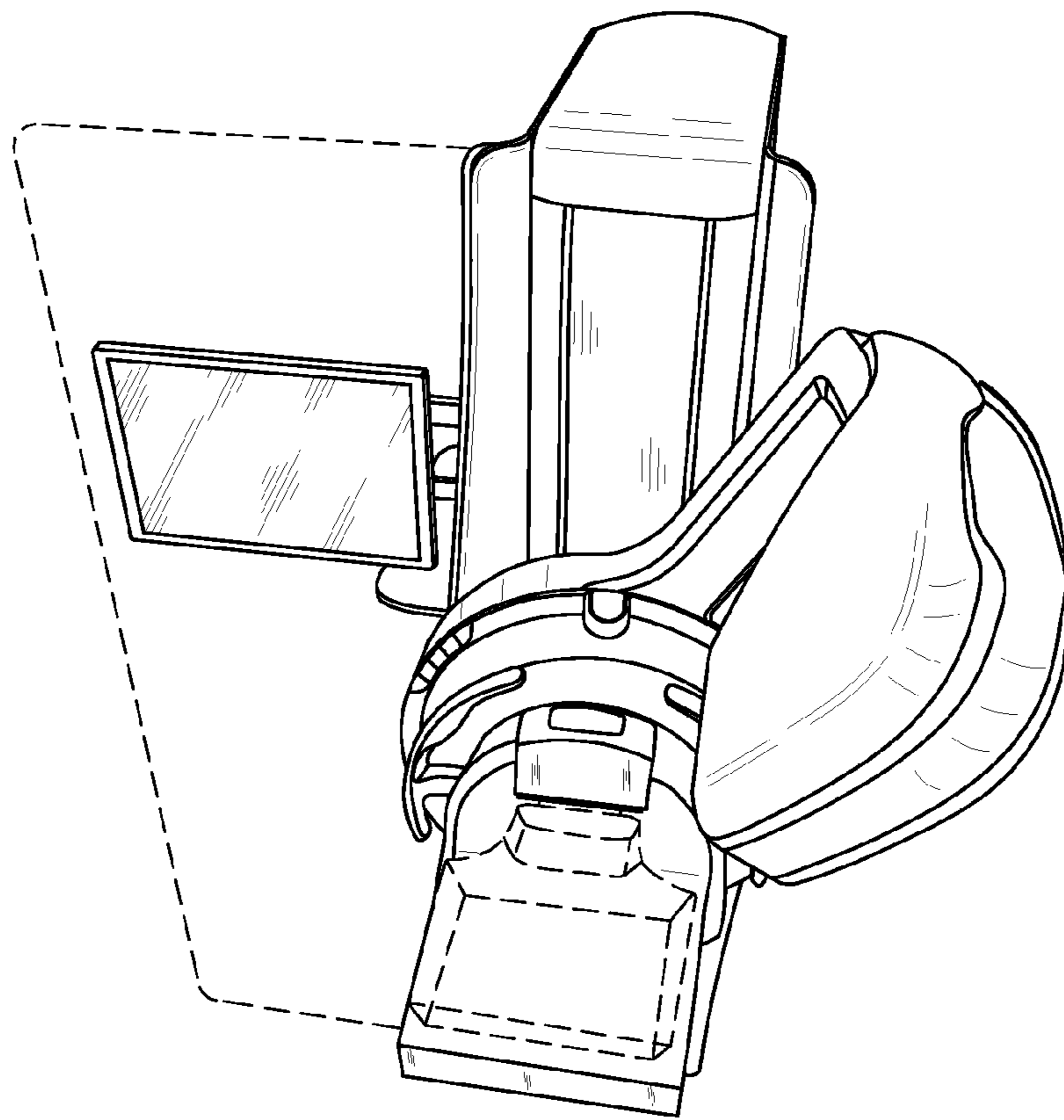


FIG. 3

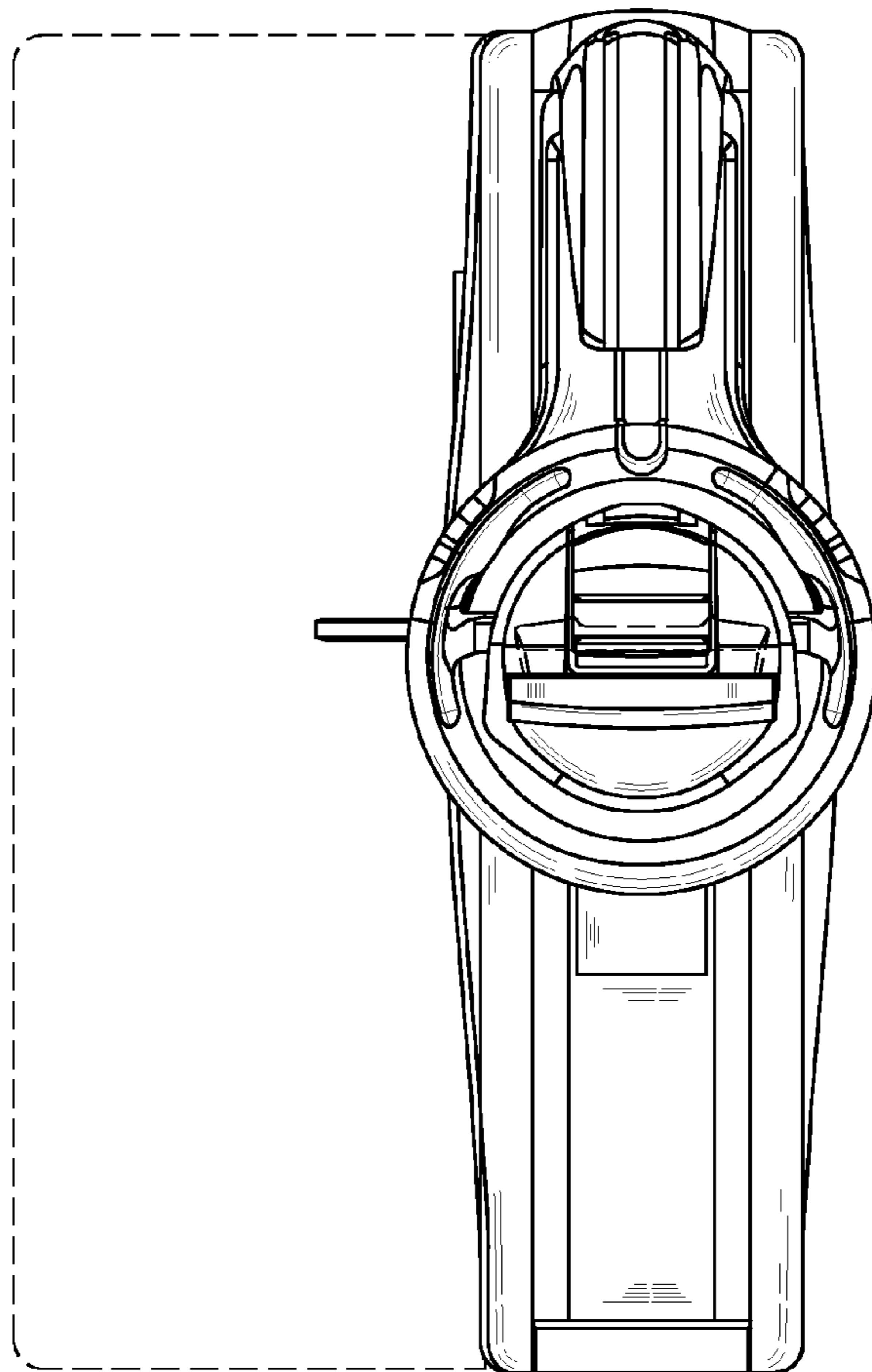


FIG. 4

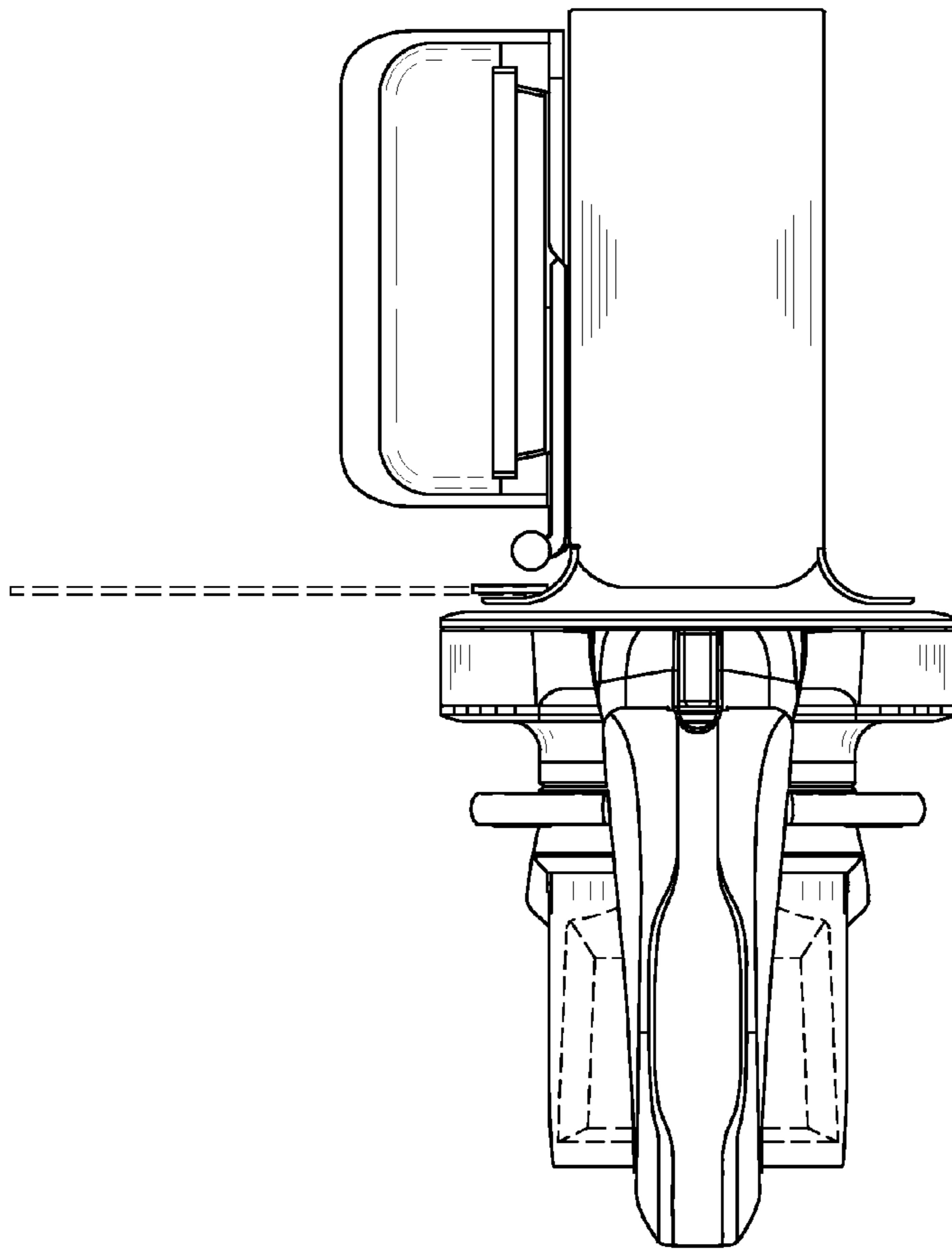


FIG. 5

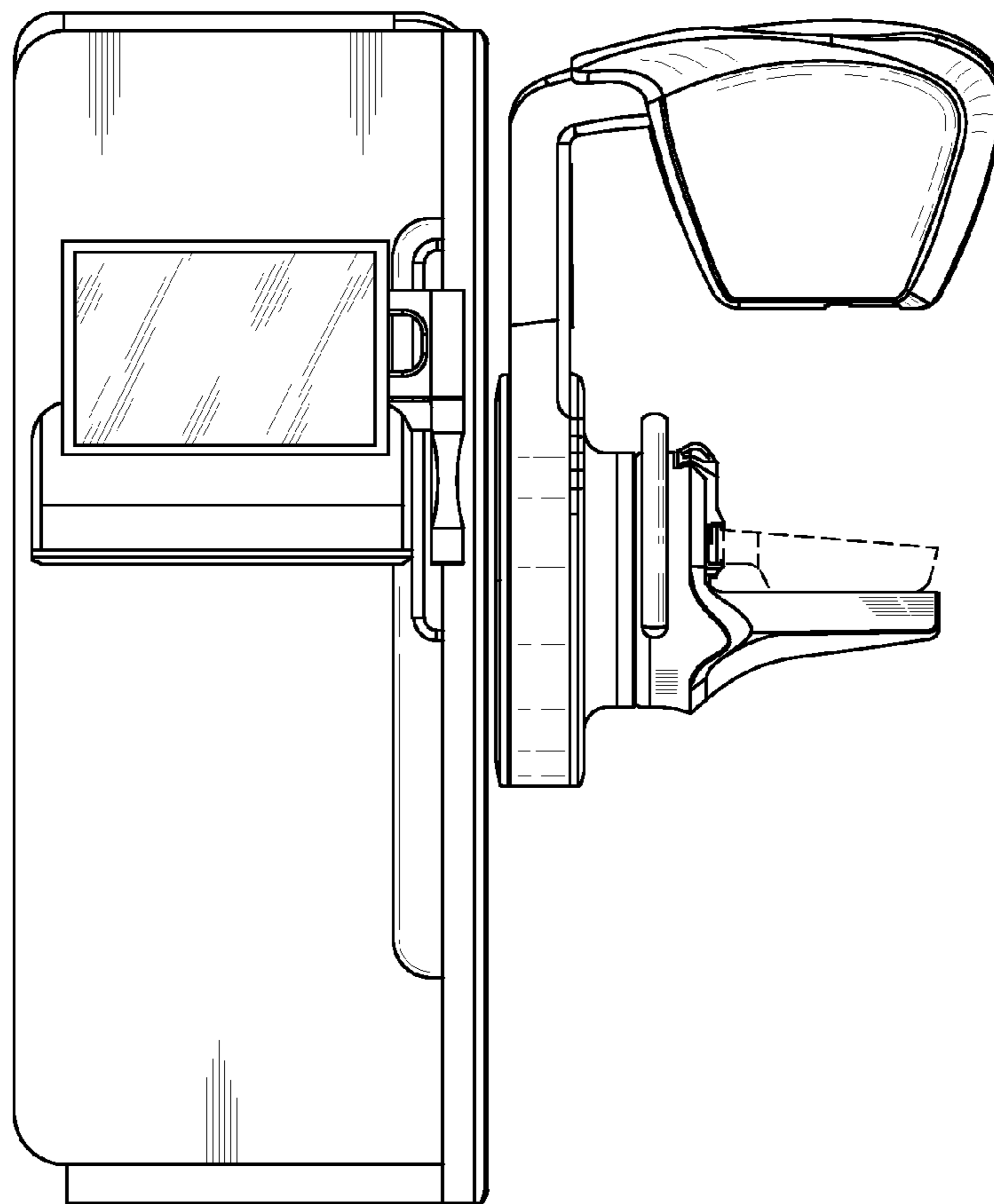


FIG. 6

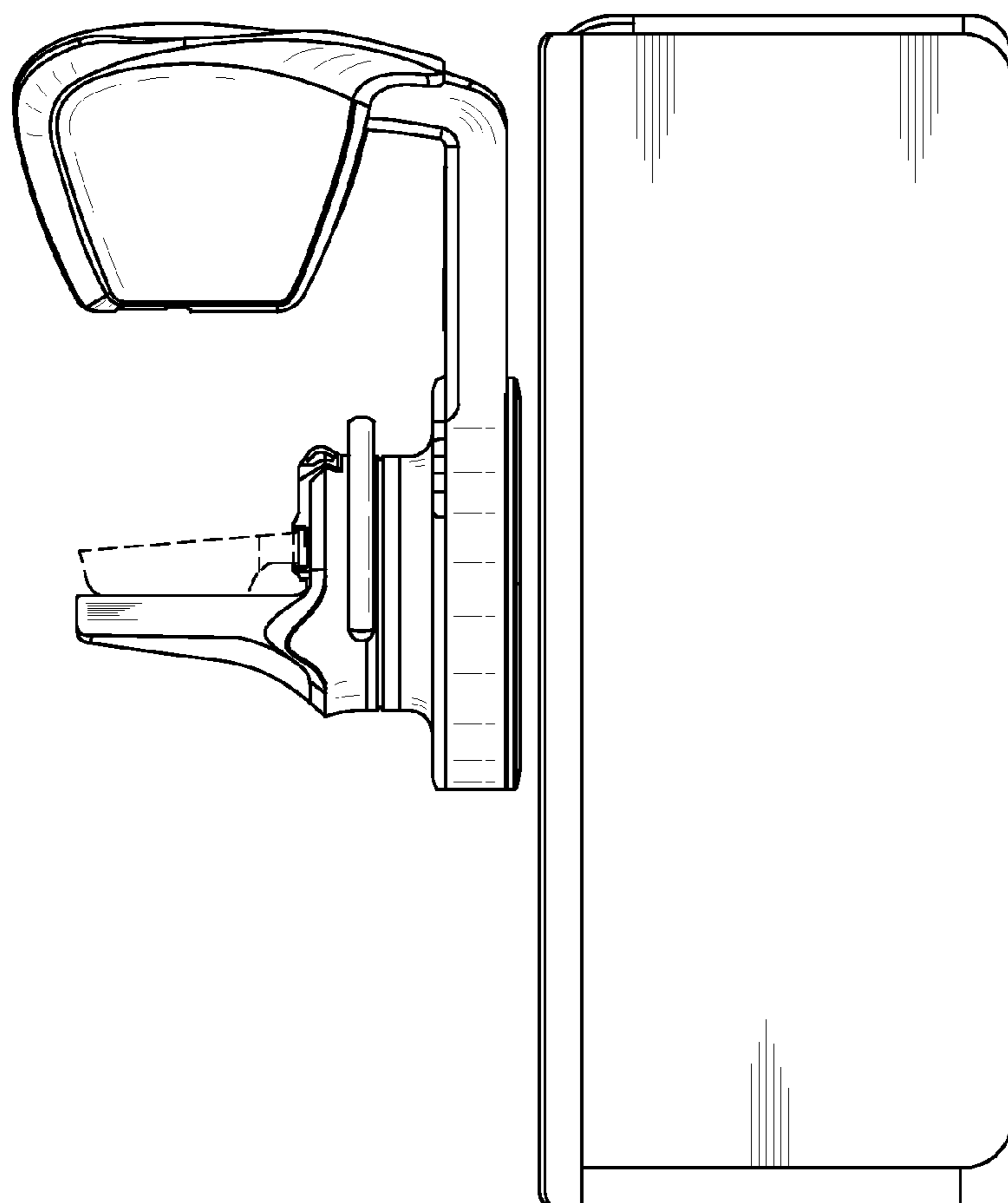


FIG. 7