



US00D669988S

(12) **United States Design Patent**
Packard et al.

(10) **Patent No.:** **US D669,988 S**

(45) **Date of Patent:** **** Oct. 30, 2012**

(54) **KNIFE AND BLADE SUPPORT**

(75) Inventors: **Richard Packard**, Bracknell (GB);
Simon Checkley, Birmingham (GB);
Ian Hutchinson, Chinnor (GB)

(73) Assignees: **Core Surgical Limited**, Chinnore,
Oxfordshire (GB); **E-Medix Limited**,
Bordesley, Birmingham (GB)

(**) Term: **14 Years**

(21) Appl. No.: **29/349,381**

(22) Filed: **Mar. 29, 2010**

(30) **Foreign Application Priority Data**

Sep. 29, 2009 (EM) 001169171-0001/0002

(51) **LOC (9) Cl.** **24-02**

(52) **U.S. Cl.** **D24/147**

(58) **Field of Classification Search** D24/133,
D24/137, 138, 143-149, 450, 152; D8/107,
D8/99, 91, 83; 30/151, 162, 329, 333, 335,
30/295, 282, 286, 337

See application file for complete search history.

(56) **References Cited**

U.S. PATENT DOCUMENTS

- 3,325,900 A * 6/1967 Sohlberg 433/144
- D258,310 S * 2/1981 LaHaye D24/147
- 5,258,002 A * 11/1993 Jeffers et al. 606/167
- D345,290 S * 3/1994 Sauber D8/107
- D372,783 S * 8/1996 Rollert D24/149
- 6,503,262 B1 * 1/2003 Edens 606/167
- 6,884,240 B1 * 4/2005 Dykes 606/1
- D565,917 S * 4/2008 Peterson et al. D8/98
- D575,403 S * 8/2008 Endo D24/147
- D638,273 S * 5/2011 Dunlap et al. D8/99
- D639,432 S * 6/2011 Trees et al. D24/147
- D642,682 S * 8/2011 Chaudhary et al. D24/147
- 2008/0058843 A1 * 3/2008 Morawski et al. 606/167

* cited by examiner

Primary Examiner — Ian Simmons

Assistant Examiner — Carissa C Fitts

(74) *Attorney, Agent, or Firm* — Ice Miller LLP

(57) **CLAIM**

The ornamental design for a knife and blade support, as shown and described.

DESCRIPTION

FIG. 1 is a side view of a blade, blade support, and partial blade handle;

FIG. 2 is an upper perspective view of a blade and partial blade handle;

FIG. 3 is an upper perspective view of a blade and blade handle;

FIG. 4 is an upper perspective view of a blade and partial blade handle;

FIG. 5 is a lower perspective view of a blade, blade support, and partial blade handle;

FIG. 6 is a side perspective view of a blade, blade support, and partial blade handle;

FIG. 7 is another side perspective view of a blade, blade support, and partial blade handle;

FIG. 8 is a top view of a blade support and partial blade handle;

FIG. 9 is a side view of a blade support and partial blade handle;

FIG. 10 is a perspective view of a blade support, partial blade handle, and opening within the partial blade handle for a blade;

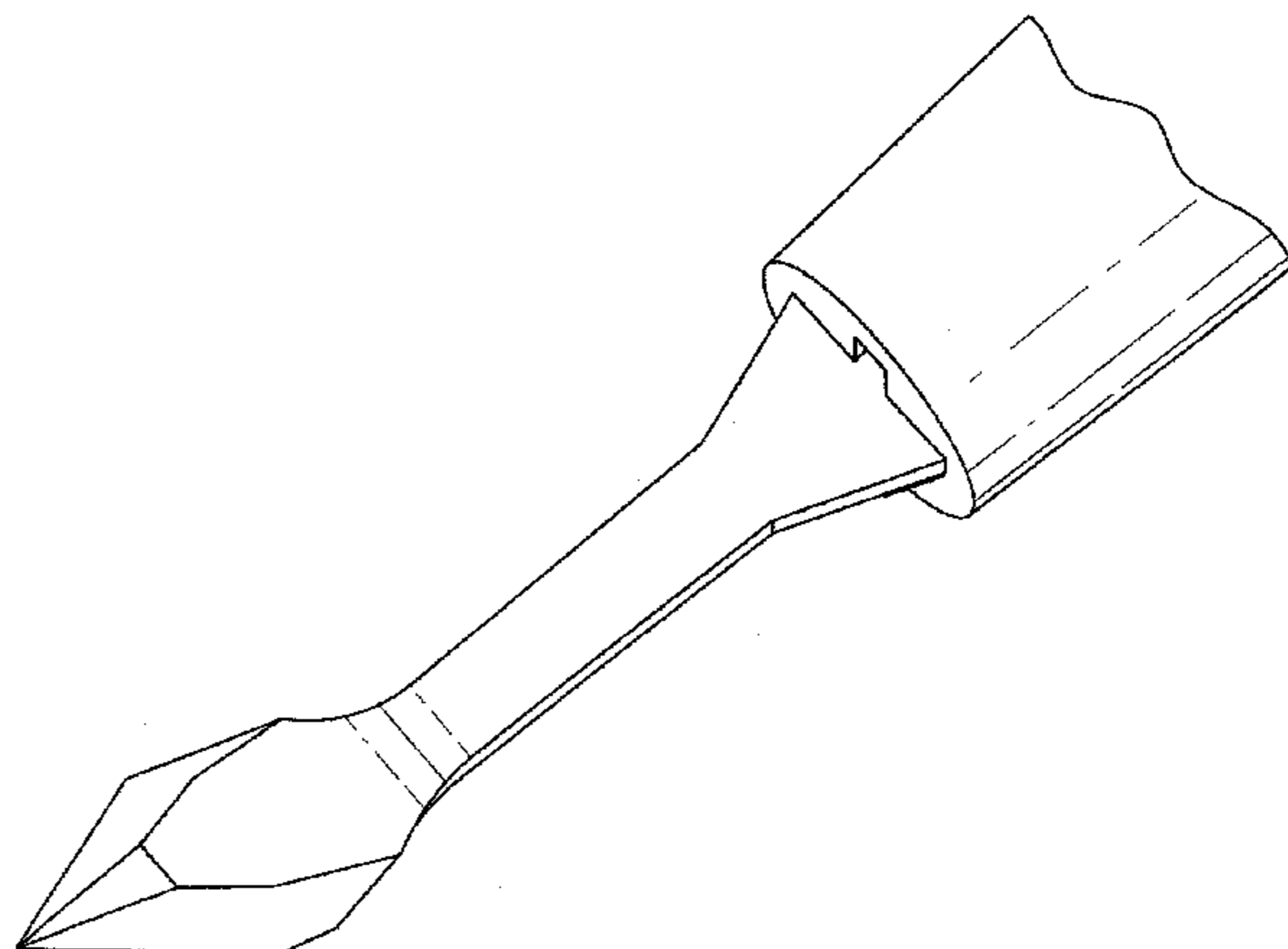
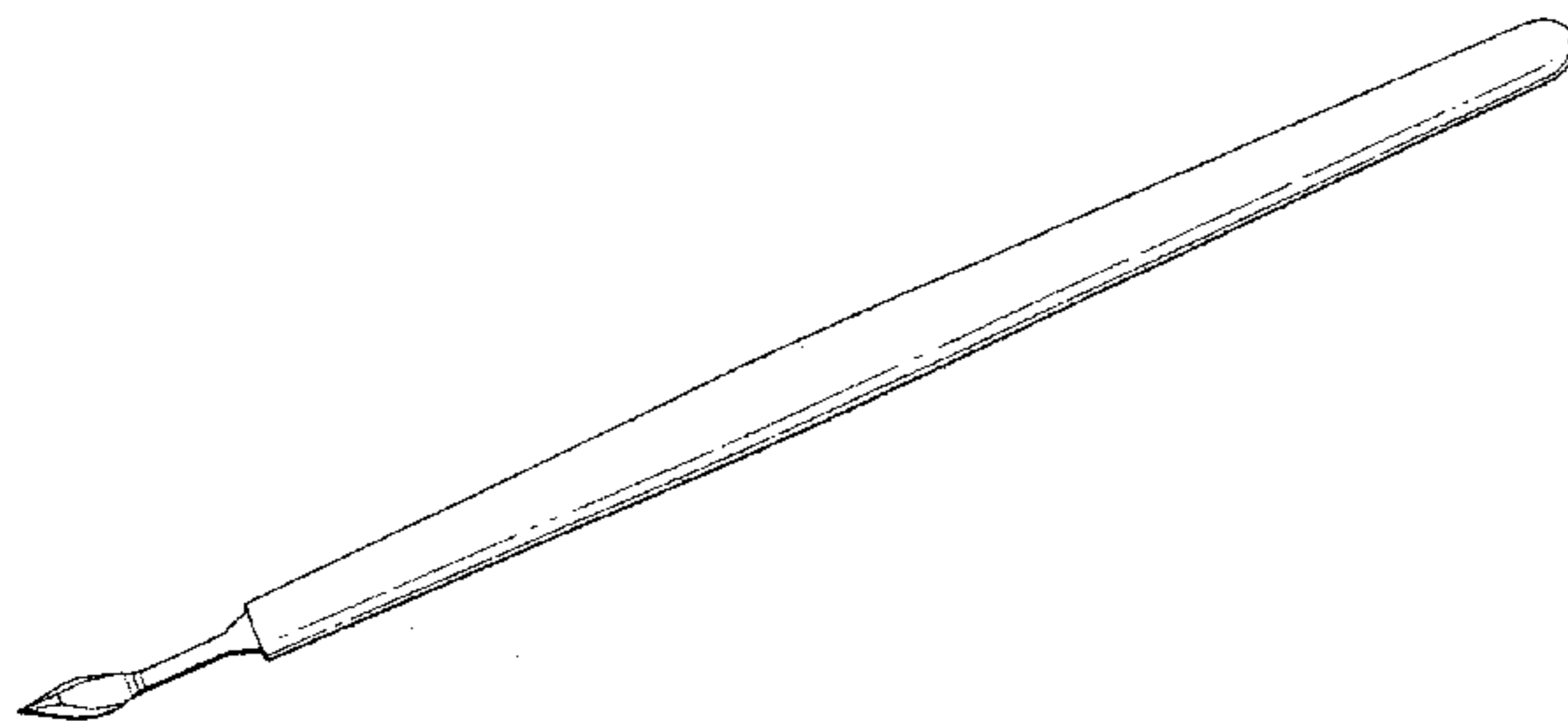
FIG. 11 is a side perspective view of a blade support and partial blade handle;

FIG. 12 is an upper perspective view of a blade support, partial blade handle, and opening within the partial blade handle for a blade;

FIG. 13 is a lower perspective view of a blade support, partial blade handle, and opening within the partial blade handle for a blade; and,

FIG. 14 is an upper perspective view of a blade support, partial blade handle, and opening within the partial blade handle for a blade.

1 Claim, 14 Drawing Sheets



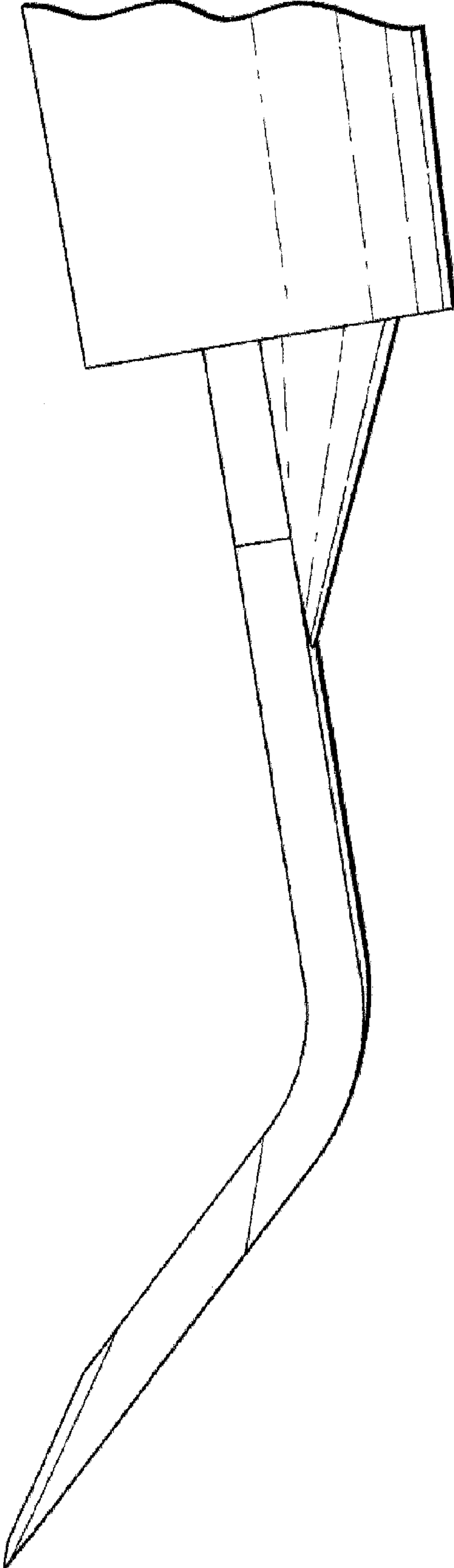


FIGURE 1

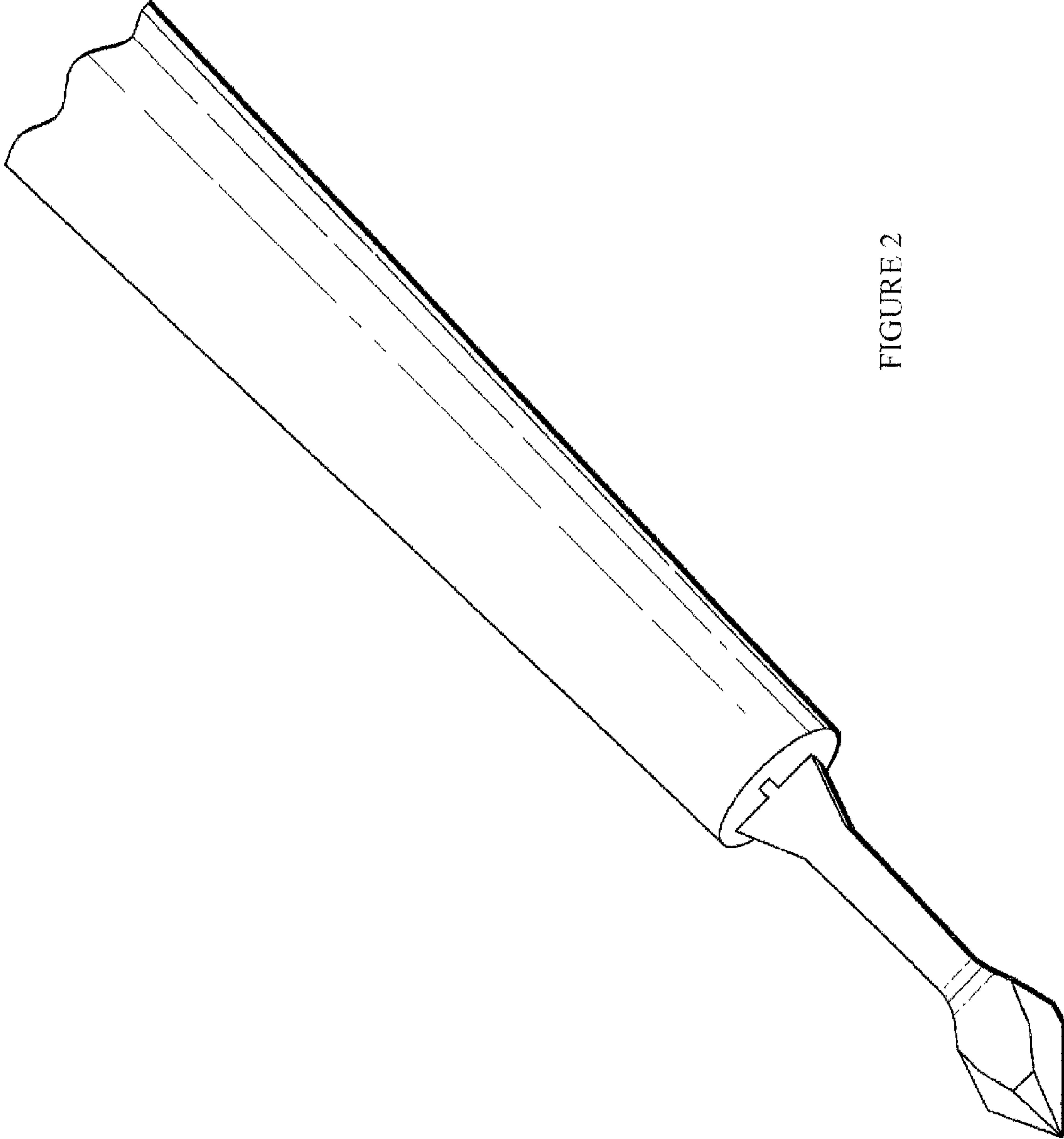


FIGURE 2

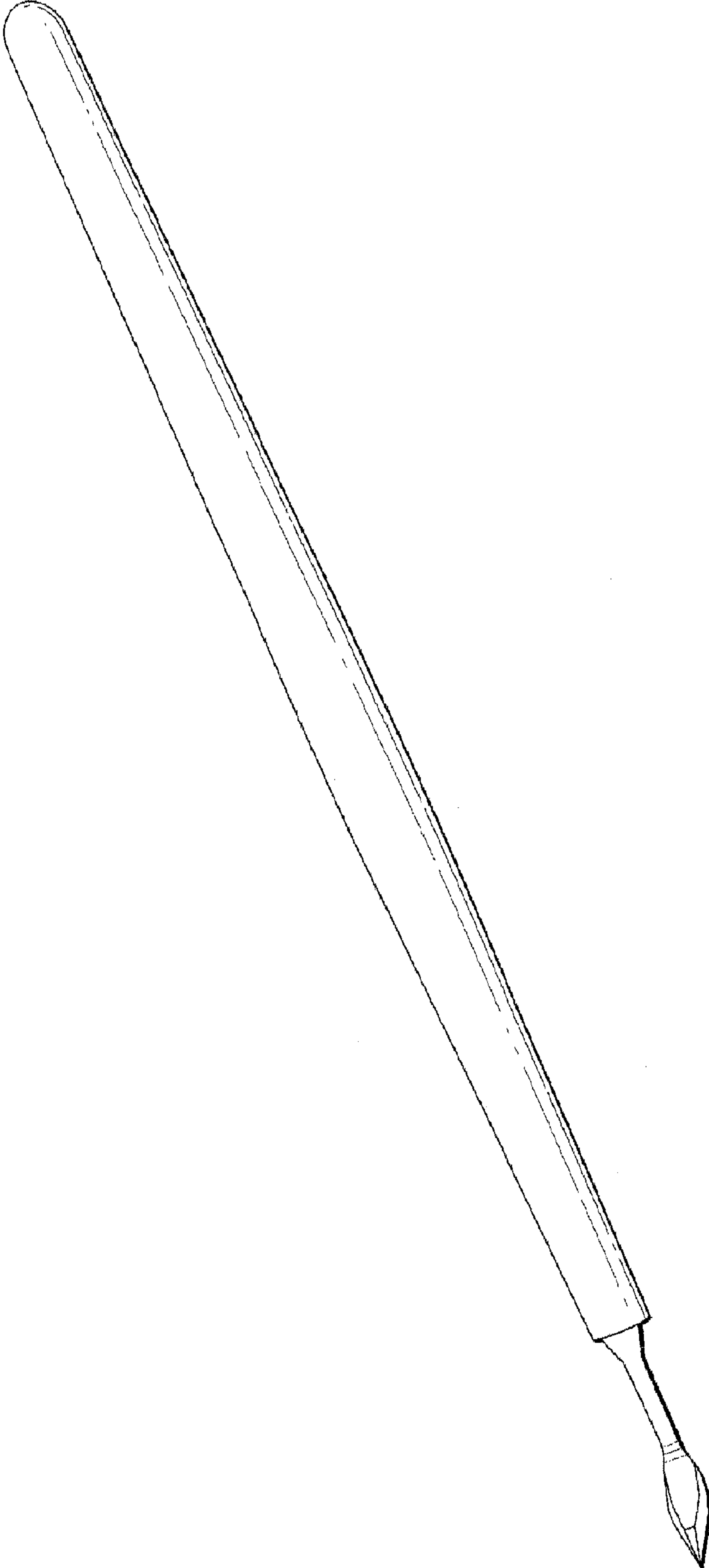


FIGURE 3

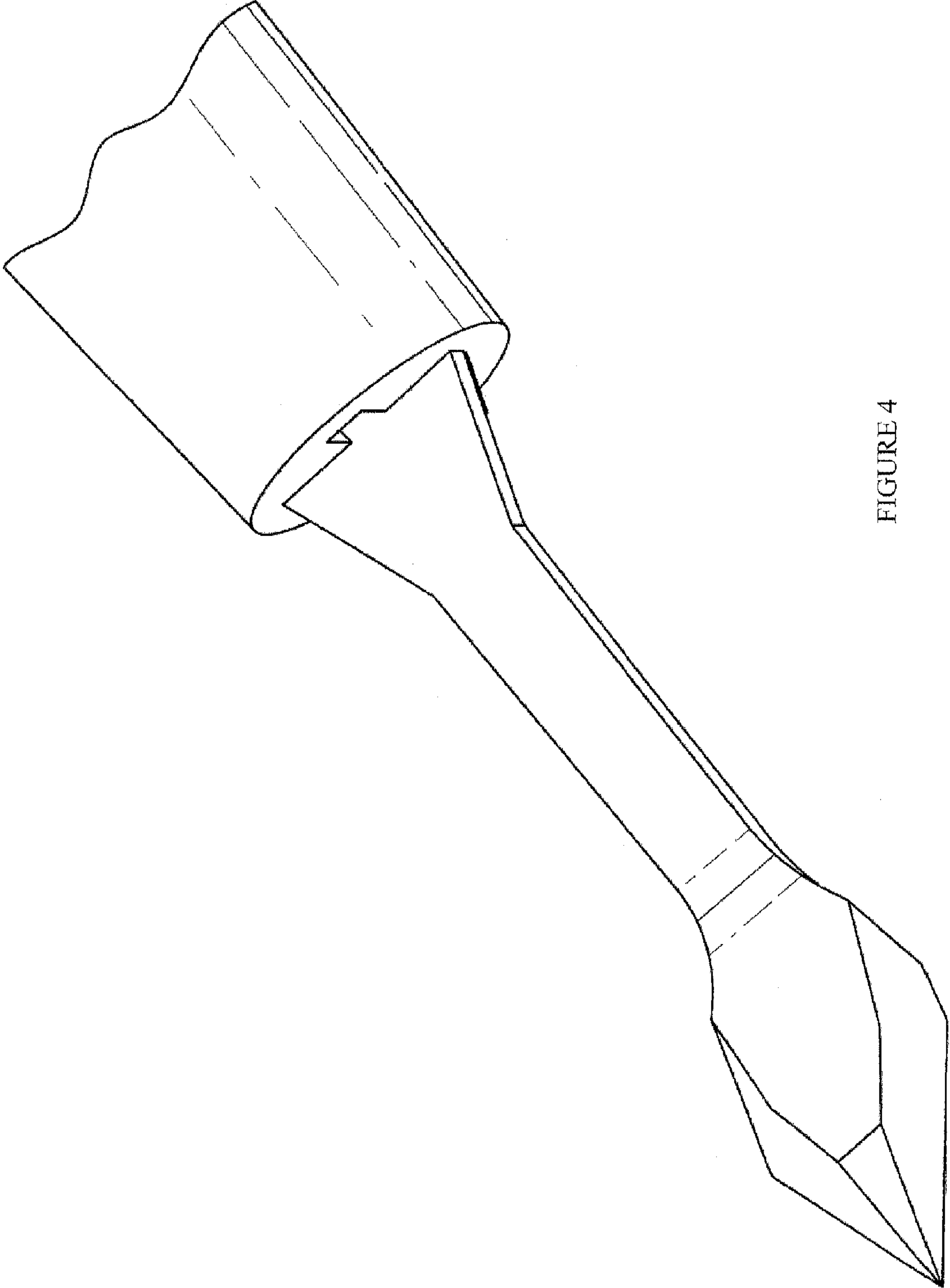


FIGURE 4

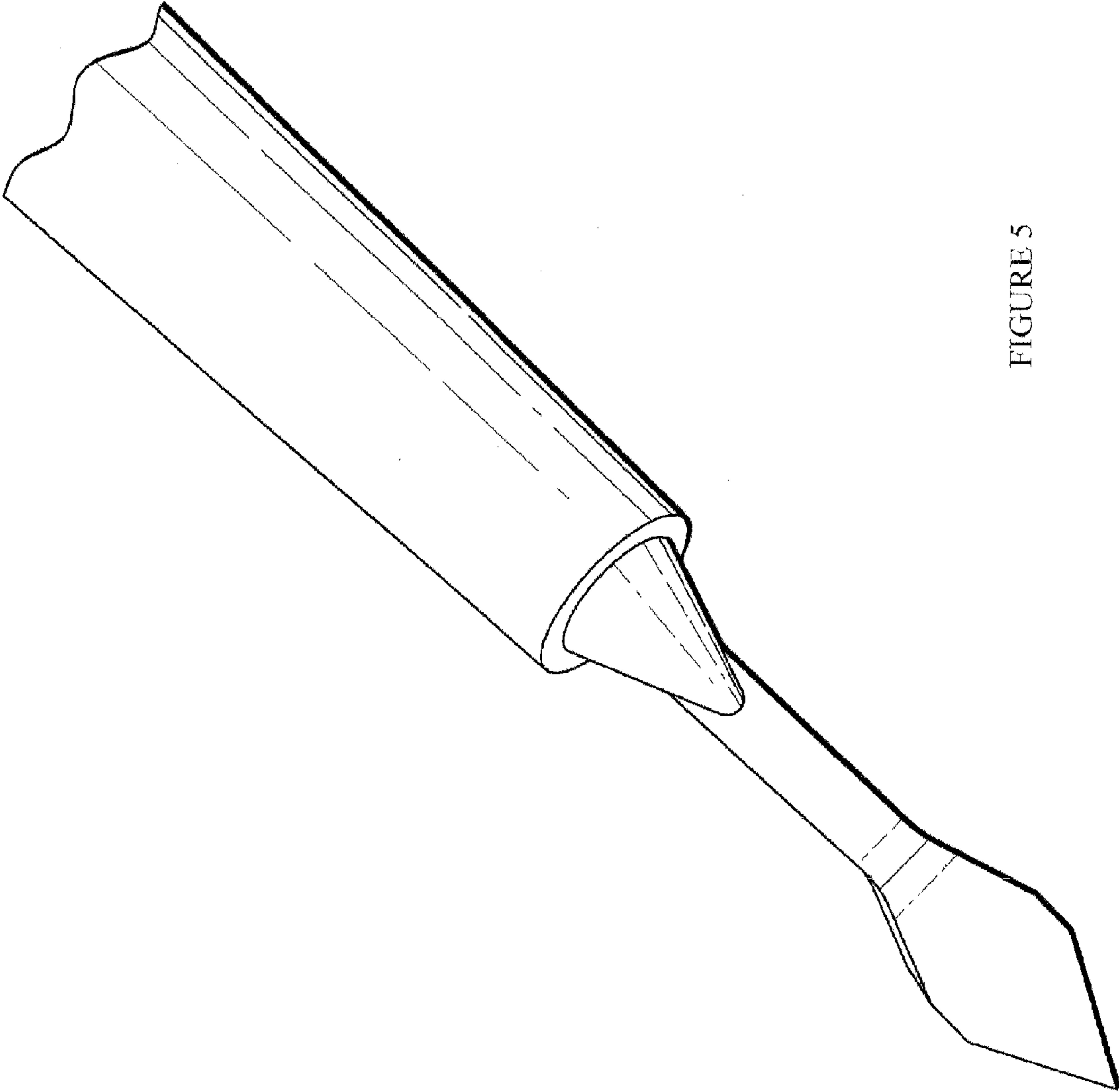


FIGURE 5

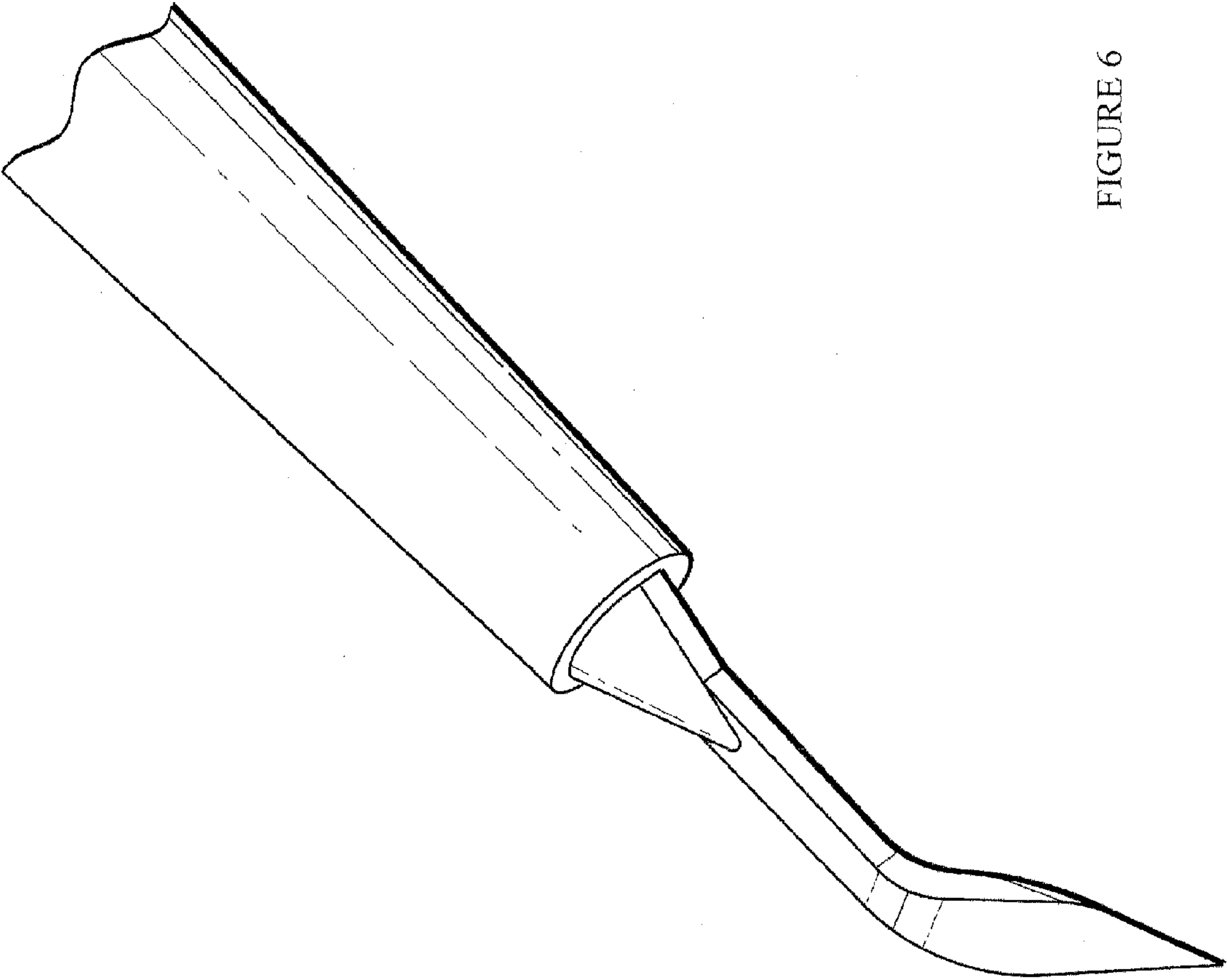


FIGURE 6

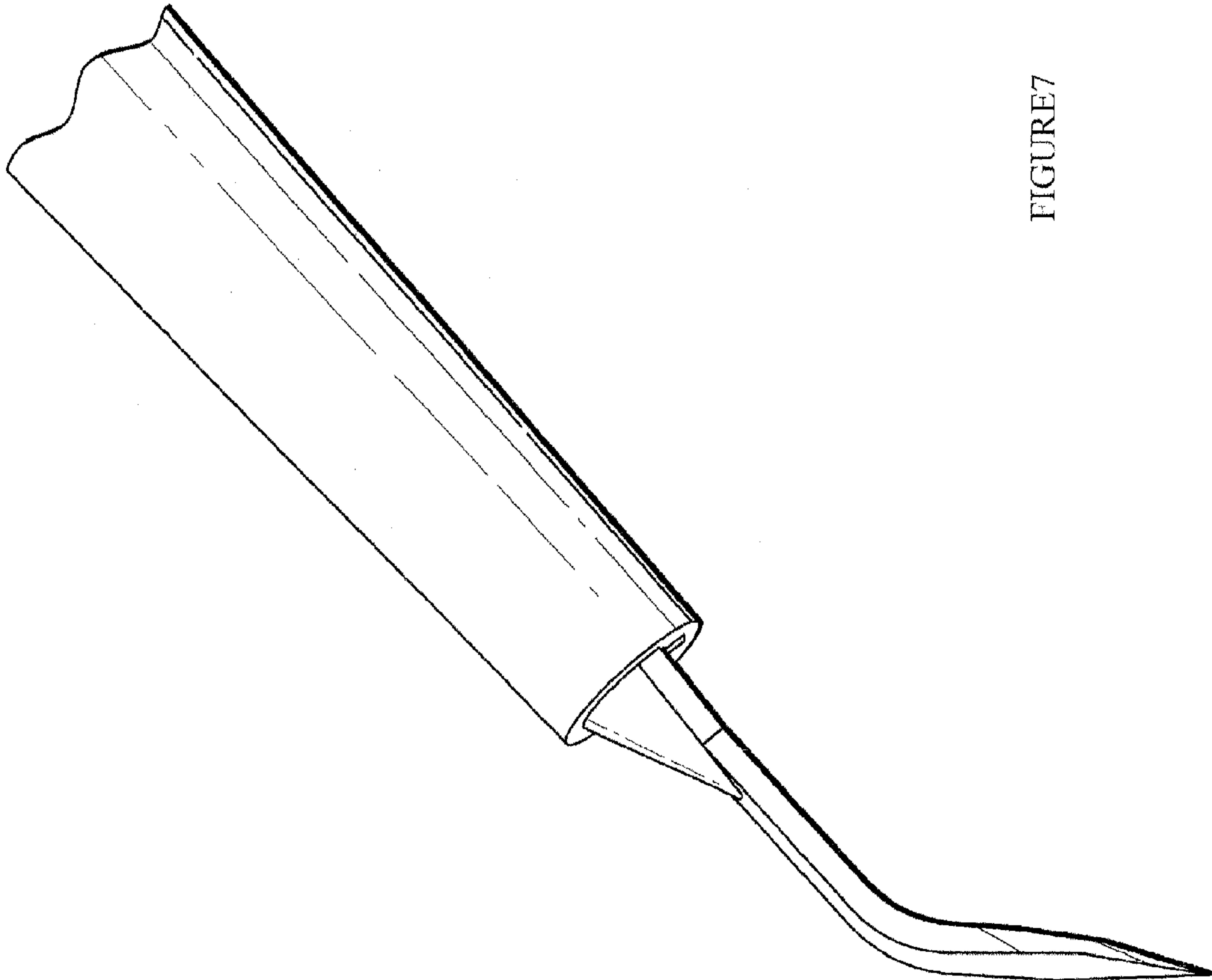


FIGURE 7

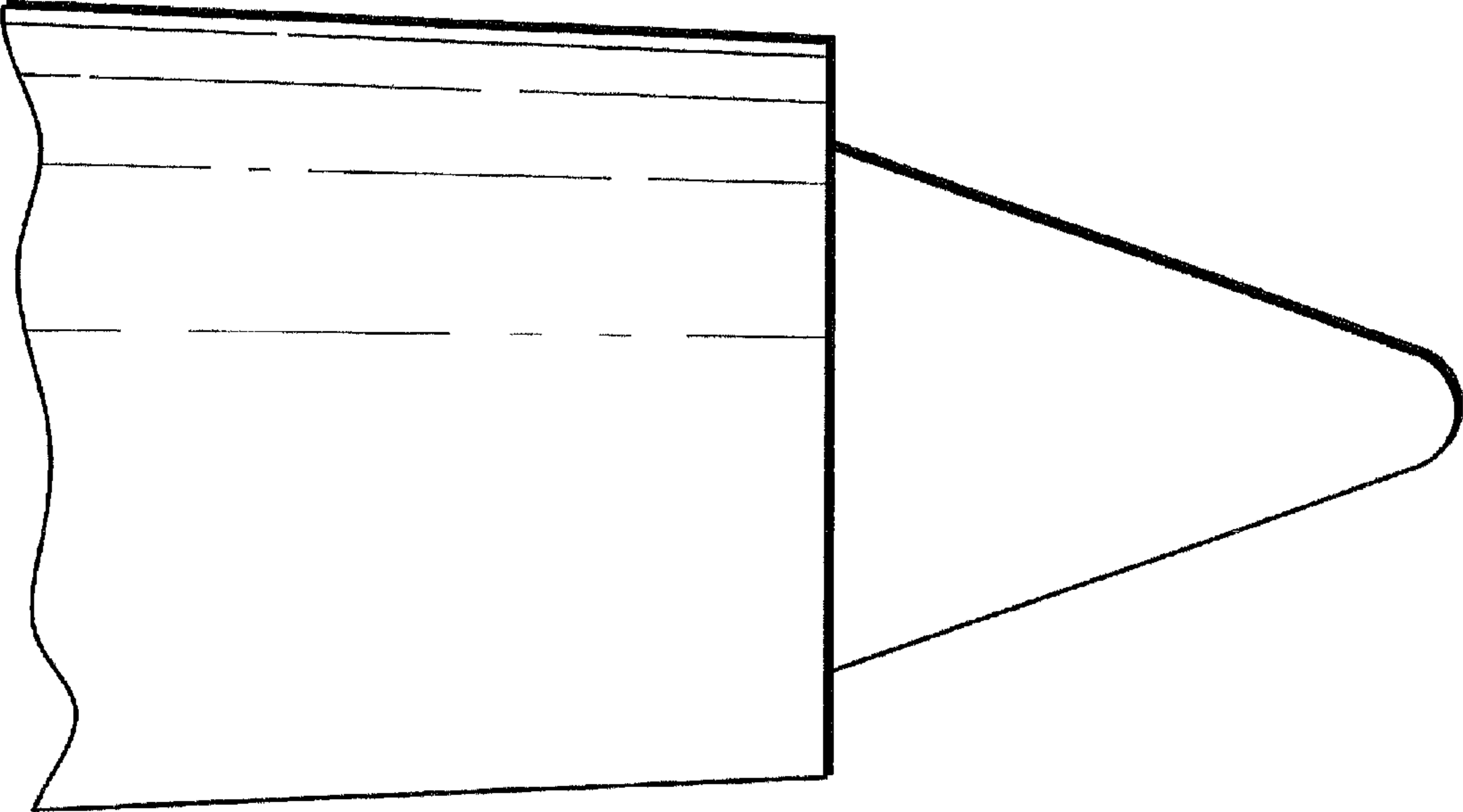
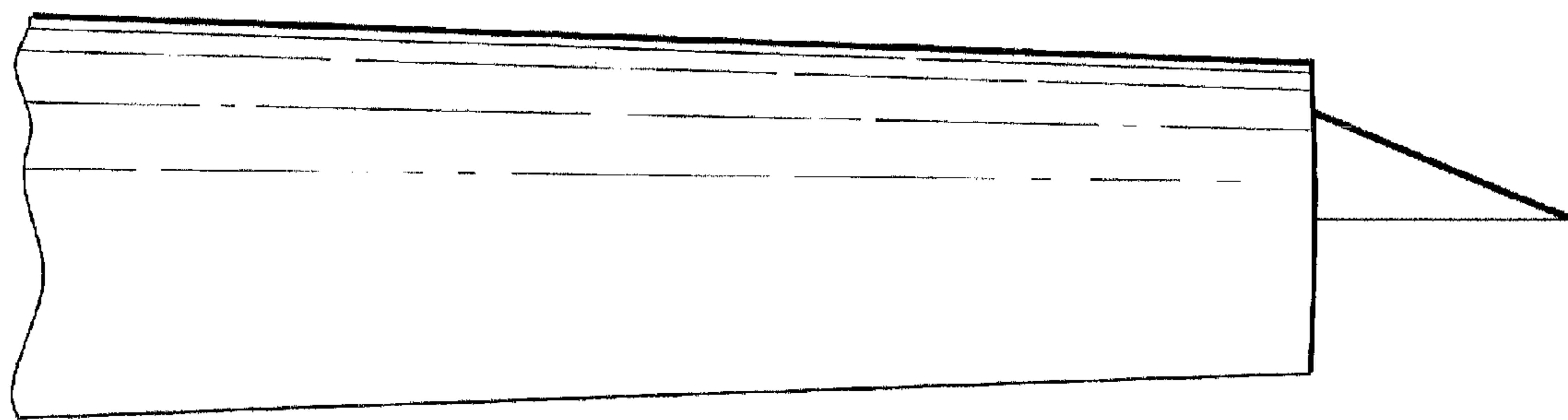


FIGURE 8

FIGURE 9



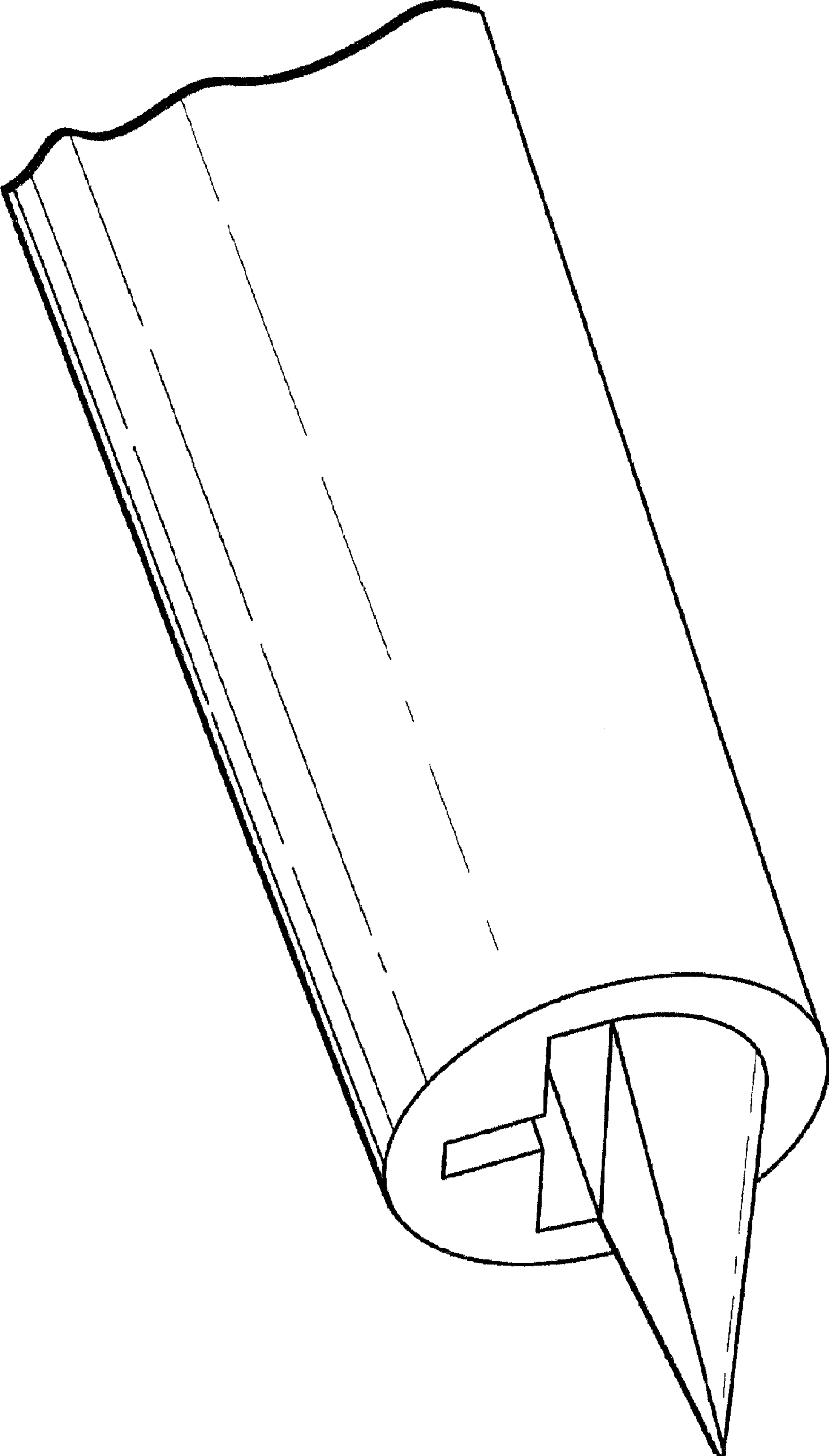


FIGURE 10

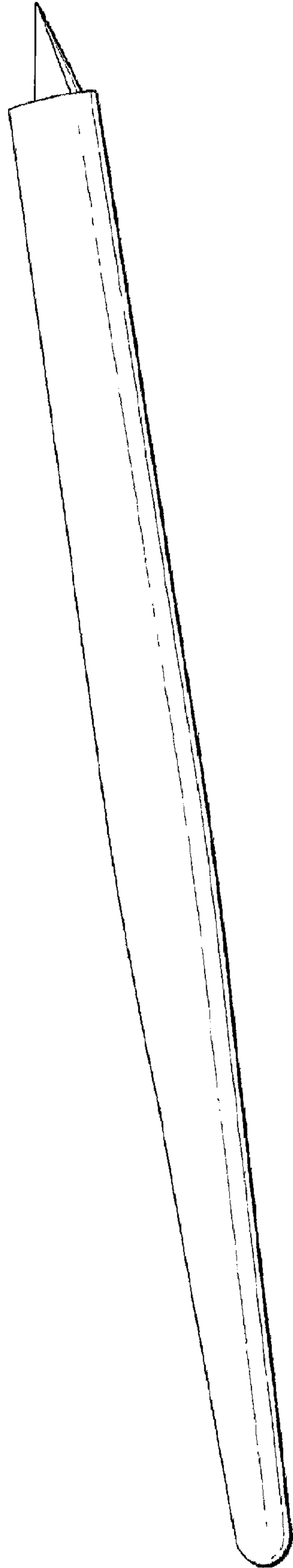


FIGURE 11

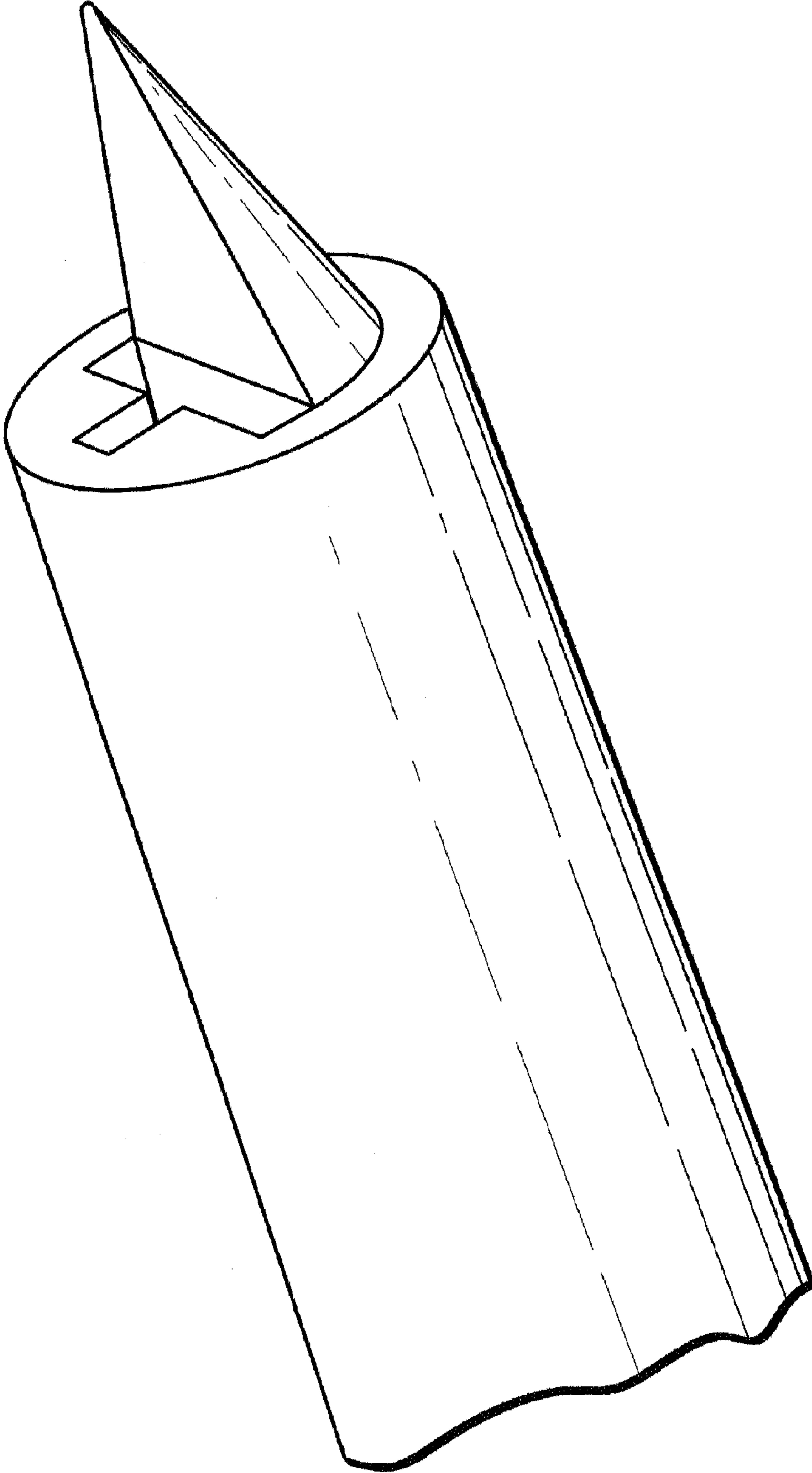


FIGURE 12

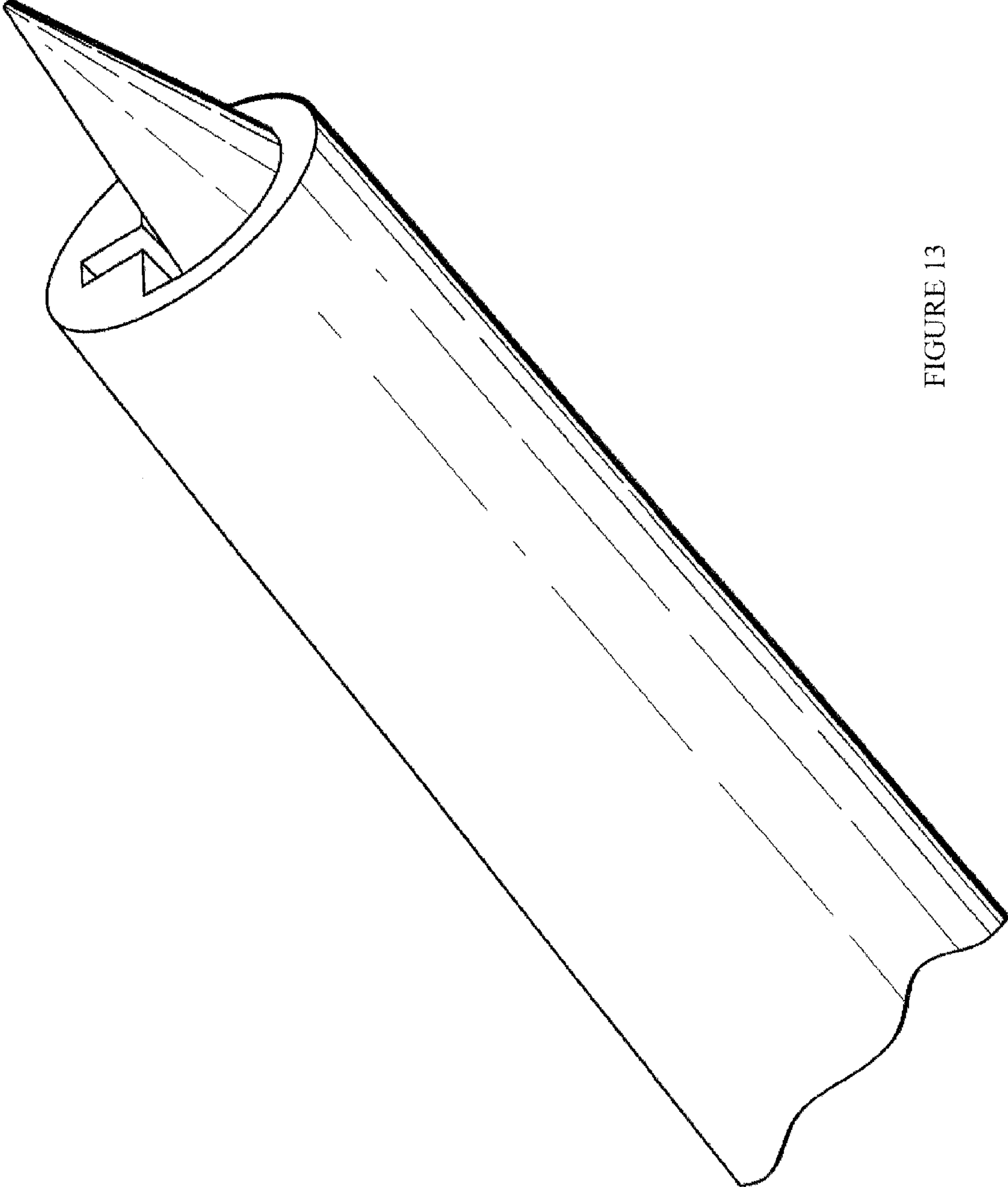


FIGURE 13

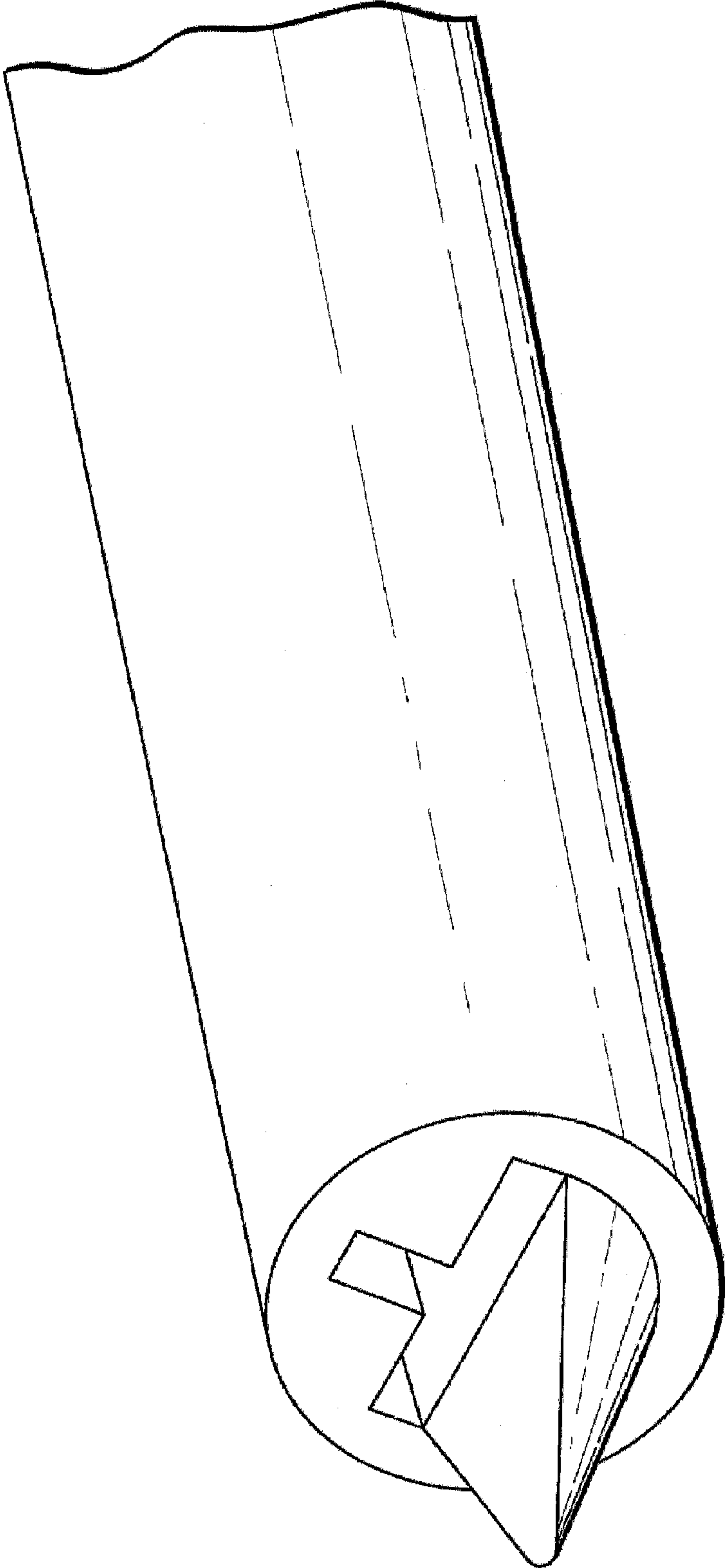


FIGURE 14