



US00D669984S

(12) **United States Design Patent**  
**Cheney et al.**

(10) **Patent No.:** **US D669,984 S**

(45) **Date of Patent:** **\*\* \*Oct. 30, 2012**

(54) **ORTHOPEdic DRILL GUIDE**

(75) Inventors: **Daniel F. Cheney**, San Antonio, TX (US); **Adam T. Knight**, San Antonio, TX (US); **Eric A. Marcano**, San Antonio, TX (US); **David J. Pancratz**, Helotes, TX (US)

(73) Assignee: **BioMedical Enterprises, Inc.**, San Antonio, TX (US)

(\*) Notice: This patent is subject to a terminal disclaimer.

(\*\*) Term: **14 Years**

(21) Appl. No.: **29/395,200**

(22) Filed: **Dec. 16, 2011**

(51) **LOC (9) Cl.** ..... **24-02**

(52) **U.S. Cl.** ..... **D24/140**

(58) **Field of Classification Search** ..... D24/133,  
D24/140, 142, 144, 145, 146, 147, 150, 151,  
D24/152; 606/96

See application file for complete search history.

(56) **References Cited**

U.S. PATENT DOCUMENTS

4,788,970 A \* 12/1988 Karas et al. .... 606/96  
D354,810 S \* 1/1995 Nazre ..... D24/140

D357,534 S \* 4/1995 Hayes ..... D24/140  
D359,557 S \* 6/1995 Hayes ..... D24/140  
D404,126 S \* 1/1999 Asfora ..... D24/140  
D433,506 S \* 11/2000 Asfora ..... D24/140  
7,731,721 B2 \* 6/2010 Rathbun et al. .... 606/96  
D630,746 S \* 1/2011 Richter et al. .... D24/140  
D656,610 S \* 3/2012 Kleiner ..... D24/133  
2003/0083667 A1 \* 5/2003 Ralph et al. .... 606/96  
2004/0097950 A1 \* 5/2004 Foley et al. .... 606/96  
2004/0204716 A1 \* 10/2004 Fanger et al. .... 606/96  
2011/0152870 A1 \* 6/2011 Miniaci et al. .... 606/80

\* cited by examiner

*Primary Examiner* — Bridget L Eland

(74) *Attorney, Agent, or Firm* — Christopher L. Makay

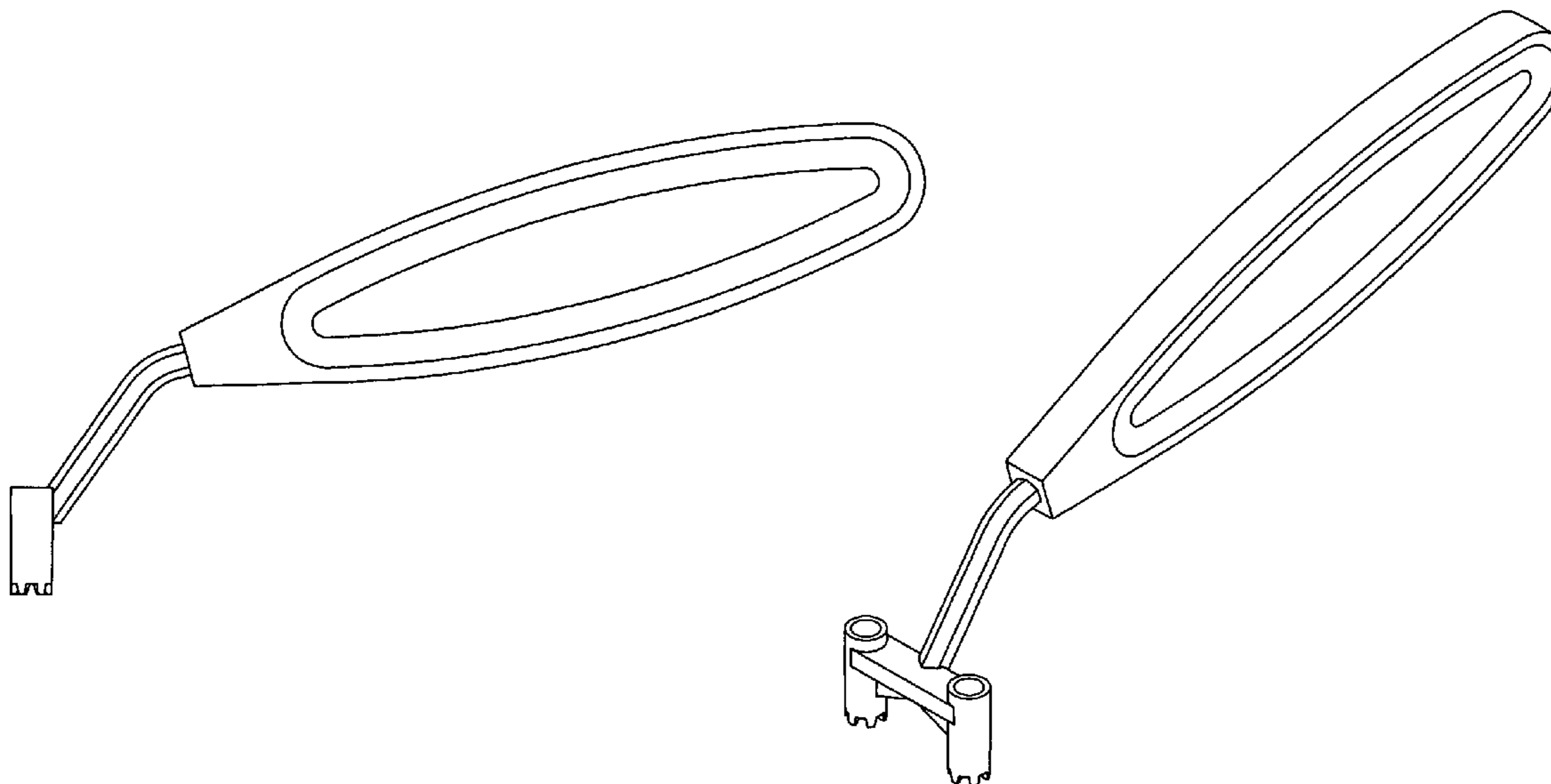
(57) **CLAIM**

The ornamental design for an orthopedic drill guide, as shown and described.

**DESCRIPTION**

FIG. 1 is a plan view (front) of the orthopedic drill guide according to our new design;  
FIG. 2 is a plan view (rear) thereof;  
FIG. 3 is a top view thereof;  
FIG. 4 is a bottom view thereof;  
FIG. 5 is a right side view thereof;  
FIG. 6 is a left side view thereof; and,  
FIG. 7 is a perspective view thereof.

**1 Claim, 3 Drawing Sheets**



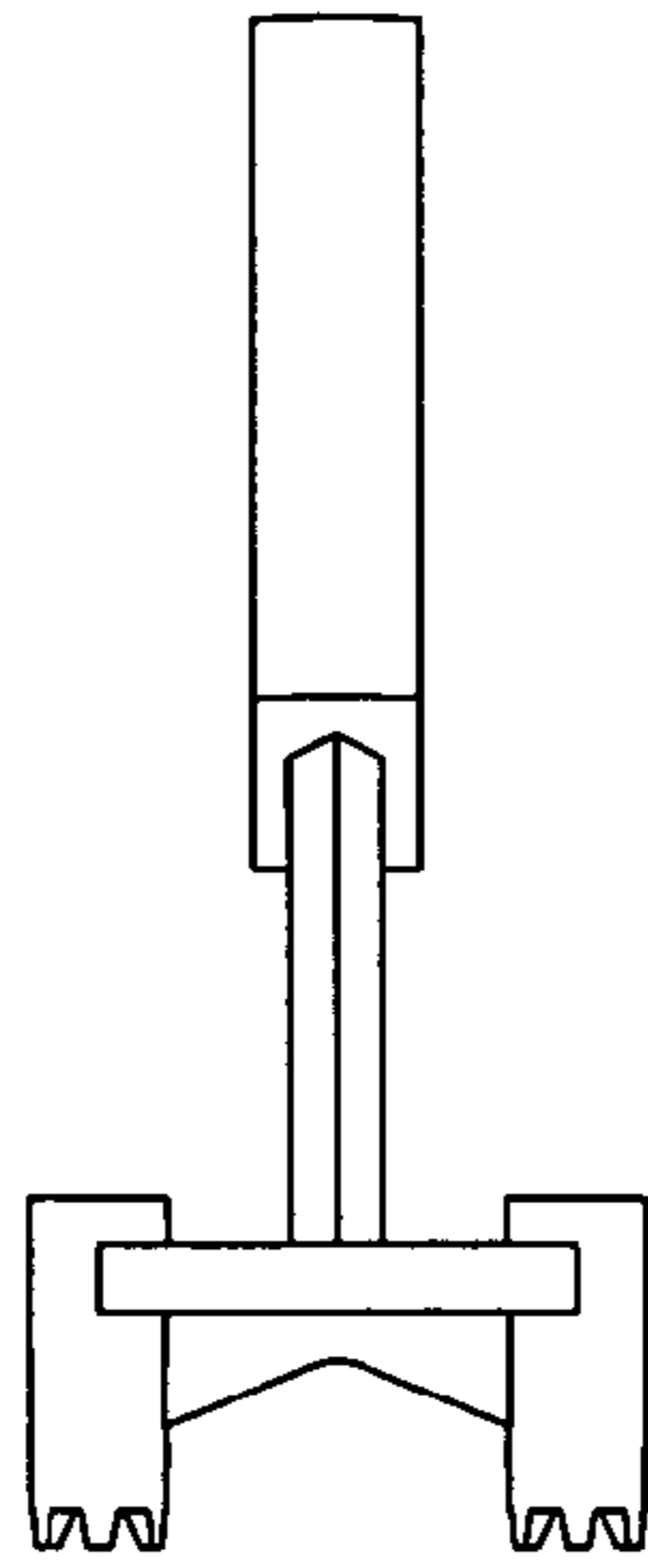


Figure 1

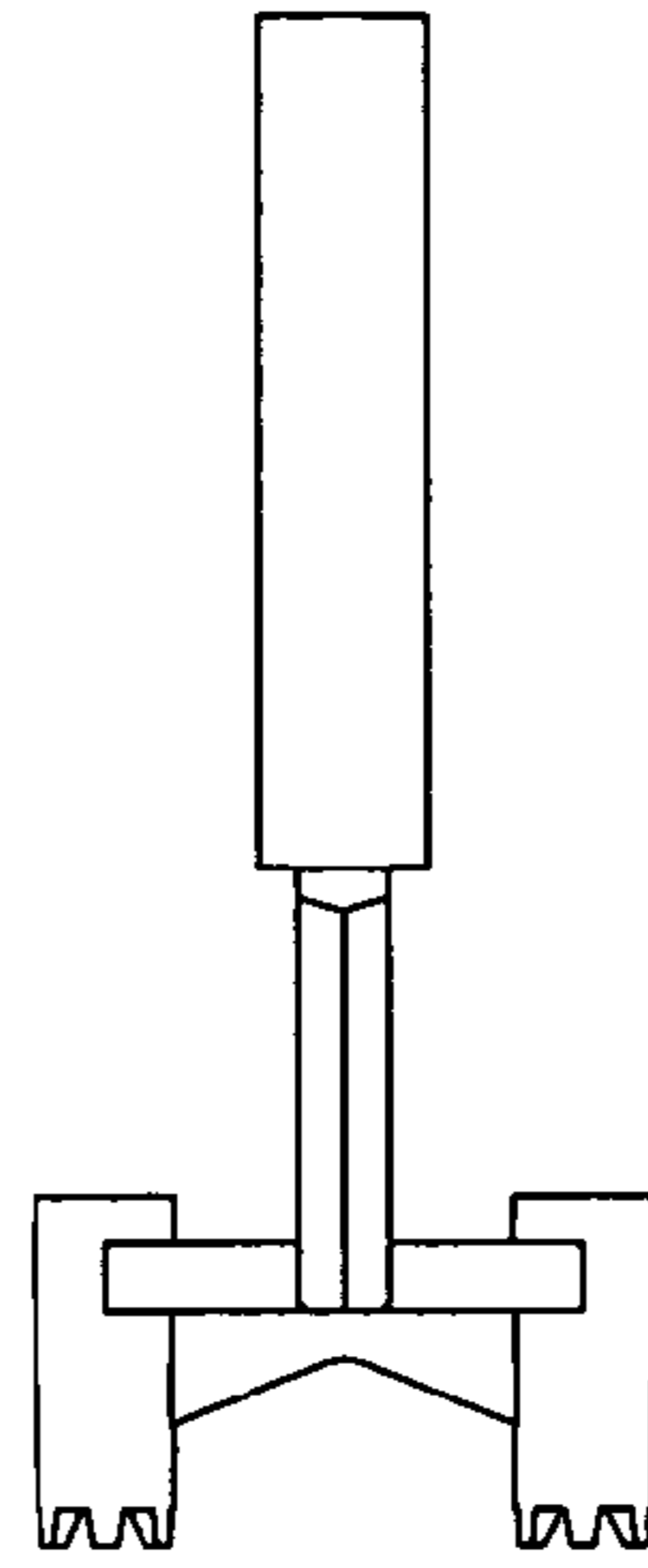


Figure 2

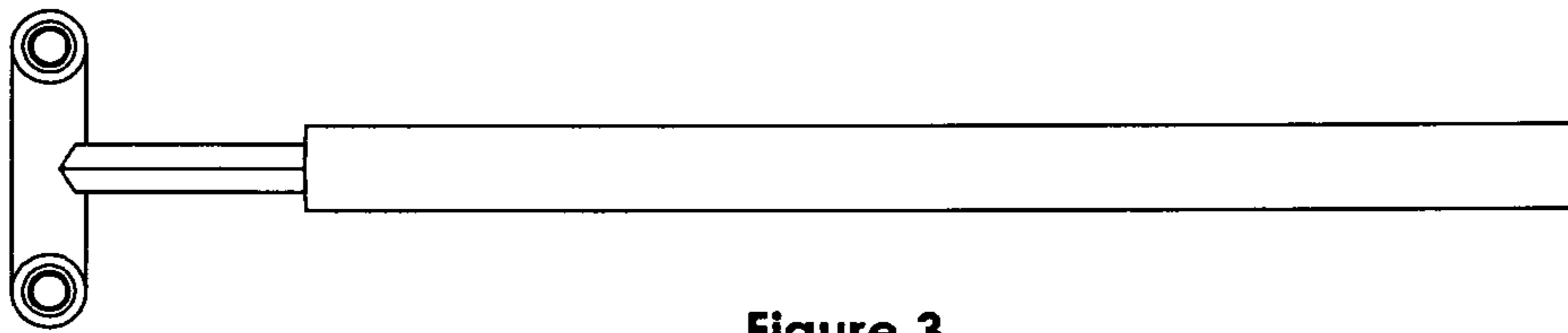


Figure 3

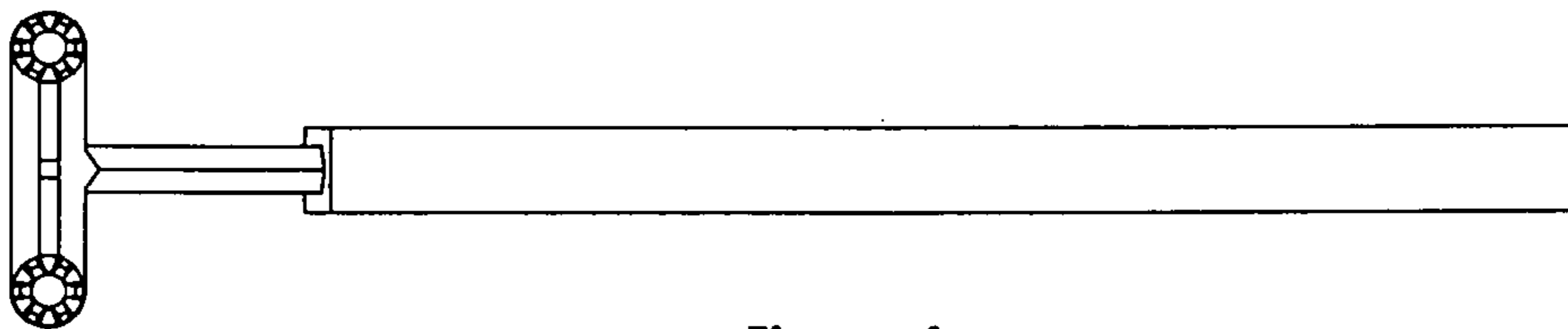


Figure 4

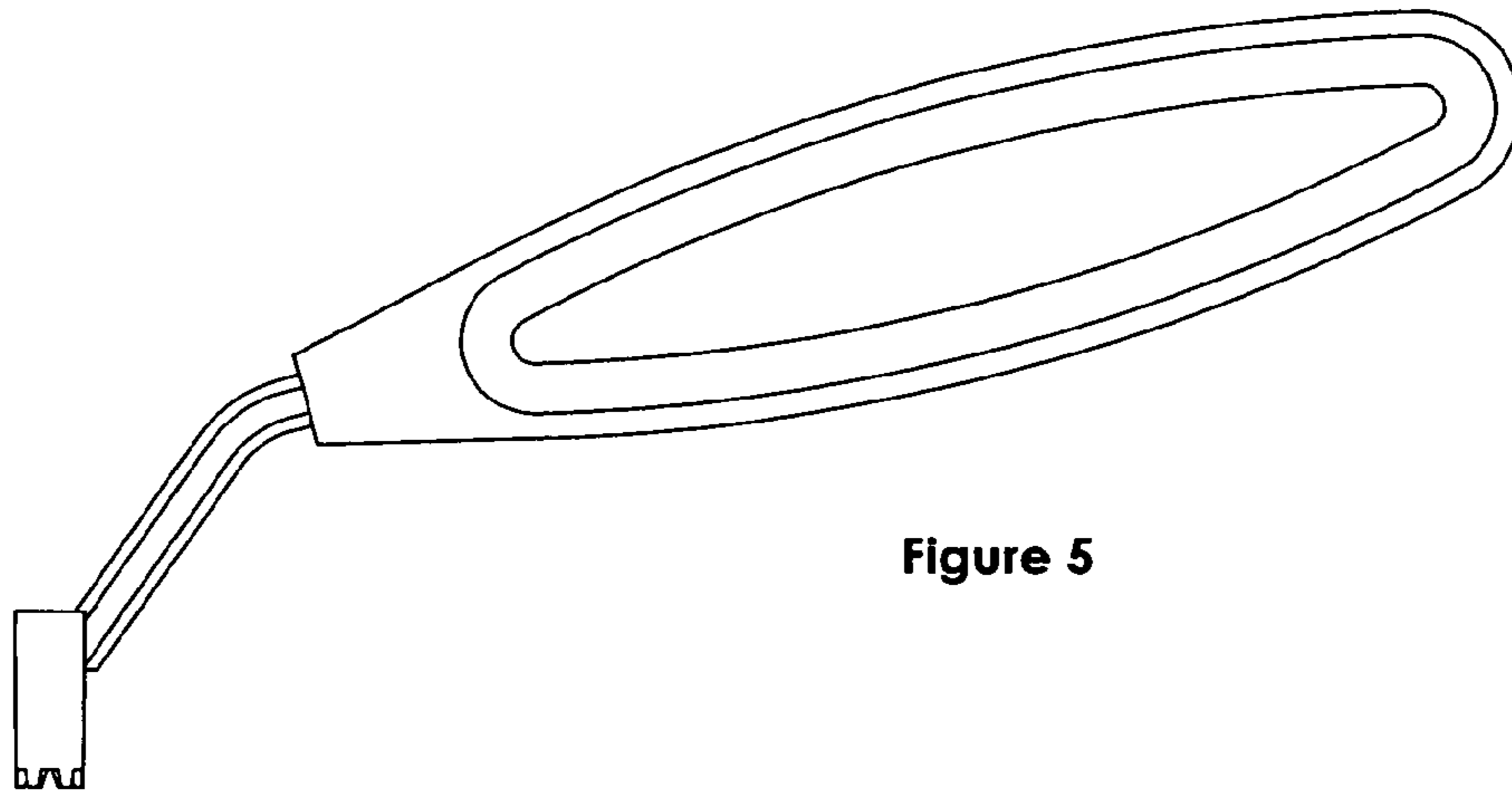


Figure 5

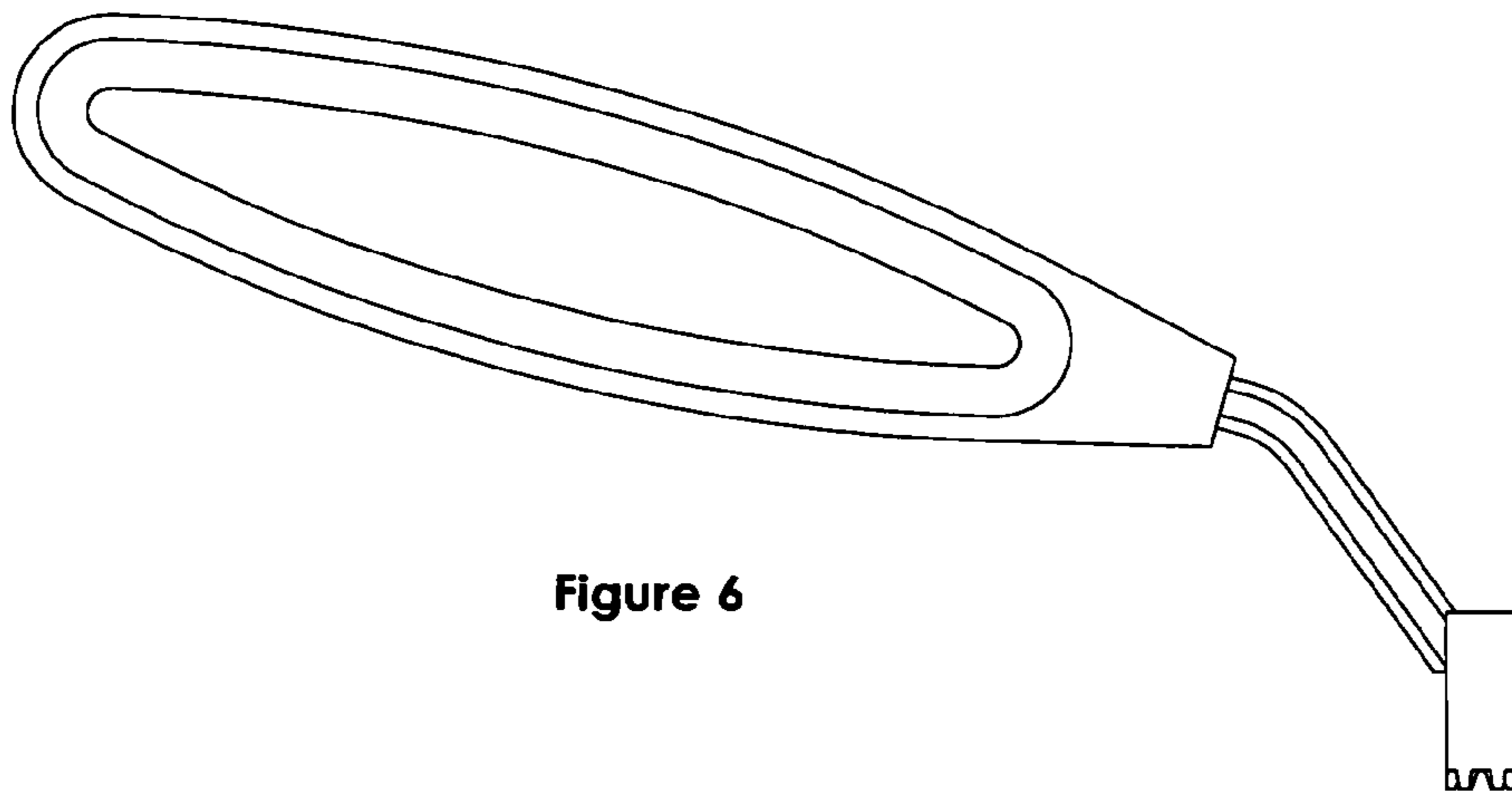


Figure 6

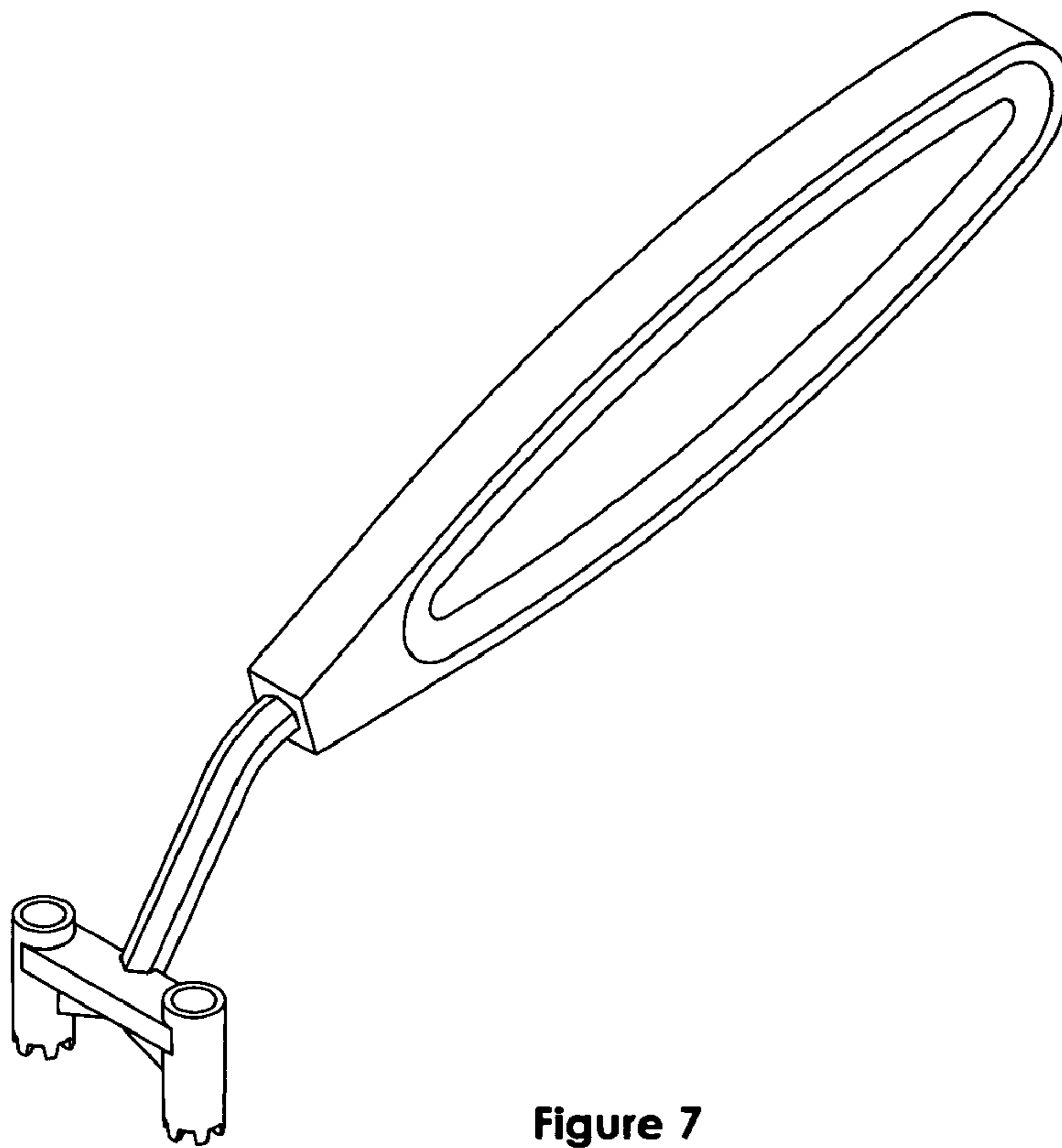


Figure 7