

US00D669982S

(12) **United States Design Patent**
Ruiz, Sr. et al.

(10) **Patent No.:** **US D669,982 S**
(45) **Date of Patent:** **** Oct. 30, 2012**

(54) **DISPENSING APPLICATOR WITH A ROUND CYLINDRICAL HANDLE**

(75) Inventors: **Rafael Ruiz, Sr.**, Hudson, NC (US);
Sheng Zhang, Hickory, NC (US);
Martin Krauss, Fort Myers, FL (US)

(73) Assignee: **Adhezion Biomedical, LLC**,
Wyomissing, PA (US)

(**) Term: **14 Years**

(21) Appl. No.: **29/405,415**

(22) Filed: **Nov. 2, 2011**

(51) **LOC (9) Cl.** **24-02**

(52) **U.S. Cl.** **D24/133; D9/725; D28/7**

(58) **Field of Classification Search** D24/133,
D24/112, 119, 207; D19/66; D9/723-729,
D9/695-697, 730, 732, 733; D28/7; 239/591,
239/593; 602/901; 604/1; 606/41; 433/226
See application file for complete search history.

(56) **References Cited**

U.S. PATENT DOCUMENTS

2,575,431	A *	11/1951	Smith	27/21.1
D182,739	S *	5/1958	Pawson et al.	D19/66
D274,697	S	7/1984	Venne		
D300,118	S	3/1989	Venne et al.		
4,844,250	A	7/1989	Holoubek et al.		
D307,191	S	4/1990	Blutenthal		
D364,923	S	12/1995	Chou		
D376,204	S	12/1996	Huculak et al.		
D376,422	S	12/1996	Bailey		
D390,117	S	2/1998	Kan et al.		
D414,688	S	10/1999	Loeb et al.		
D418,246	S	12/1999	Turri		
D429,847	S	8/2000	Lang		
D430,298	S	8/2000	Holms		
D441,447	S	5/2001	Hjertman et al.		
D443,930	S	6/2001	Nestenborg		
D467,613	S *	12/2002	Indegno et al.	D19/47

6,981,664	B1	1/2006	Fugere		
D530,857	S *	10/2006	Black	D28/7
D537,564	S *	2/2007	Montoli	D28/7
D540,470	S	4/2007	Boone et al.		
D543,469	S	5/2007	Py et al.		
D550,283	S	9/2007	Koreska		
D553,738	S *	10/2007	Simonson	D24/133
D559,385	S	1/2008	Boone et al.		
D561,046	S	2/2008	Kerman		
D570,708	S	6/2008	Kerman		
D599,014	S	8/2009	Boone et al.		
7,785,026	B2	8/2010	Eng et al.		
D641,468	S *	7/2011	Ruiz et al.	D24/133

(Continued)

Primary Examiner — Bridget L Eland

(74) *Attorney, Agent, or Firm* — Stradley Ronon Stevens & Young, LLP

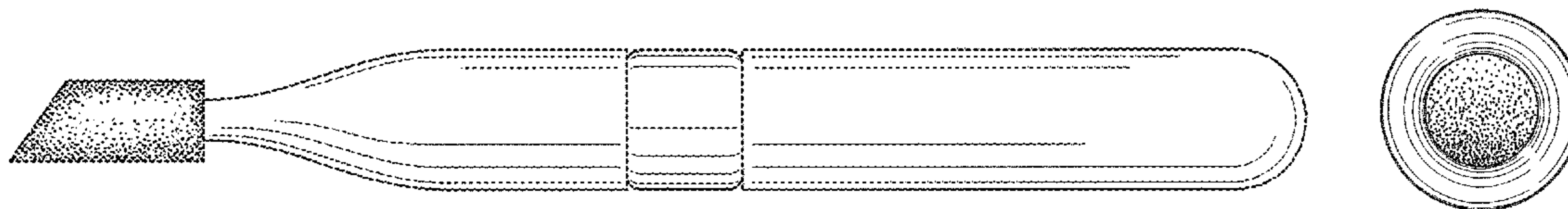
(57) **CLAIM**

The ornamental design for a dispensing applicator with a round cylindrical handle, substantially as shown and described.

DESCRIPTION

FIG. 1 is a perspective view of the ornamental design for the dispensing applicator with a round cylindrical handle; FIG. 2 is a second perspective view of the ornamental design for the dispensing applicator with a round cylindrical handle; FIG. 3 is a side view of the ornamental design for the dispensing applicator with a round cylindrical handle; FIG. 4 is a top view of the ornamental design for the dispensing applicator with a round cylindrical handle; FIG. 5 is a bottom view of the ornamental design for the dispensing applicator with a round cylindrical handle; FIG. 6 is a front view of the ornamental design for the dispensing applicator with a round cylindrical handle; and, FIG. 7 is a rear view of the ornamental design for the dispensing applicator with a round cylindrical handle.

1 Claim, 4 Drawing Sheets



US D669,982 S

Page 2

U.S. PATENT DOCUMENTS

D641,469 S *	7/2011	Ruiz et al.	D24/133	2008/0033280 A1	2/2008	Lubbock et al.	
D643,924 S *	8/2011	Sonoi	D24/152	2010/0274258 A1	10/2010	Silvestrini et al.	
D644,737 S *	9/2011	Sonoi	D24/152	2011/0028883 A1	2/2011	Juan, Jr. et al.	
D655,004 S *	2/2012	Ruiz et al.	D24/133	2012/0070220 A1*	3/2012	Ruiz et al.	401/134
2006/0282035 A1*	12/2006	Battisti et al.	604/1				

* cited by examiner

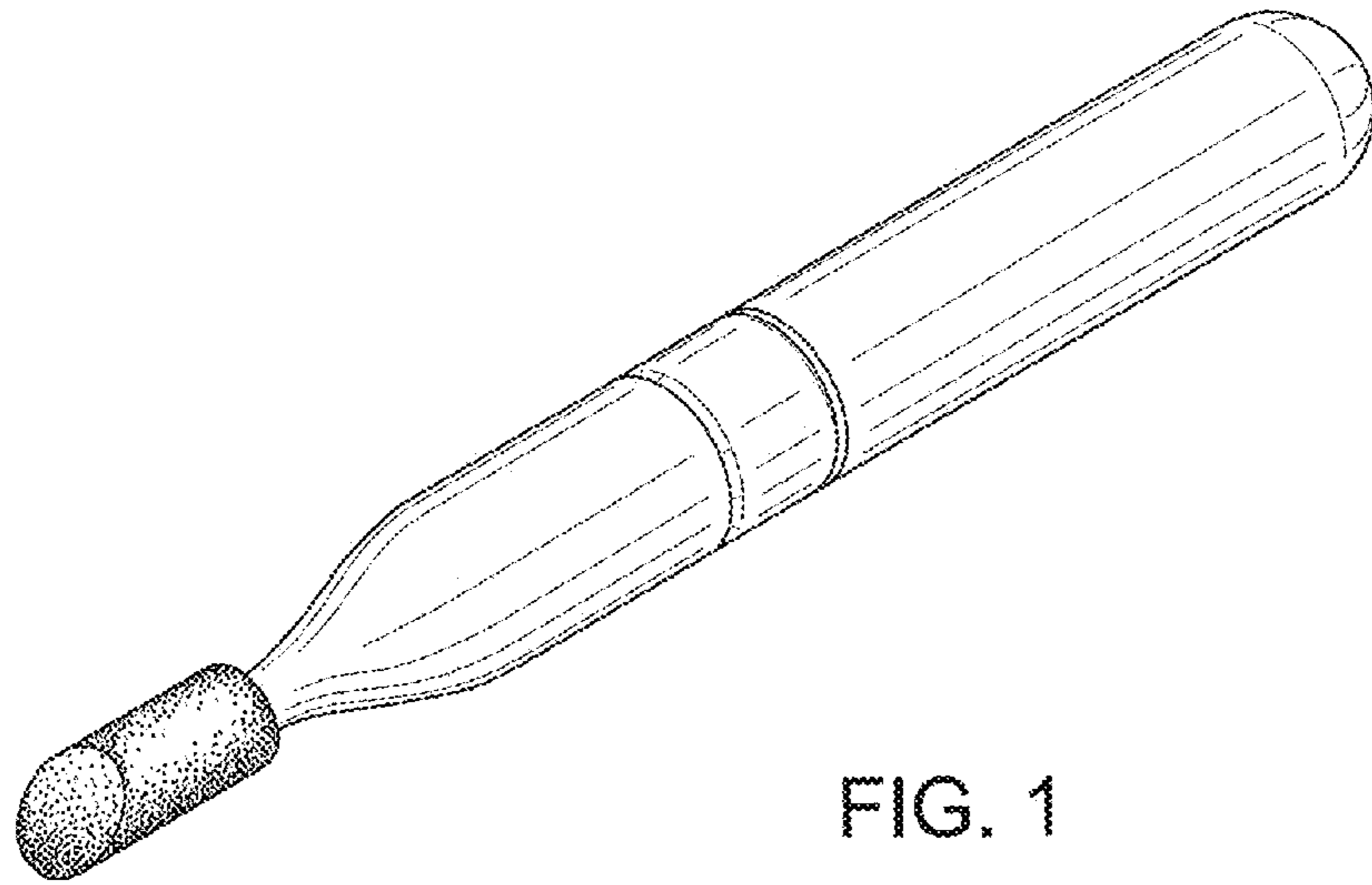


FIG. 1

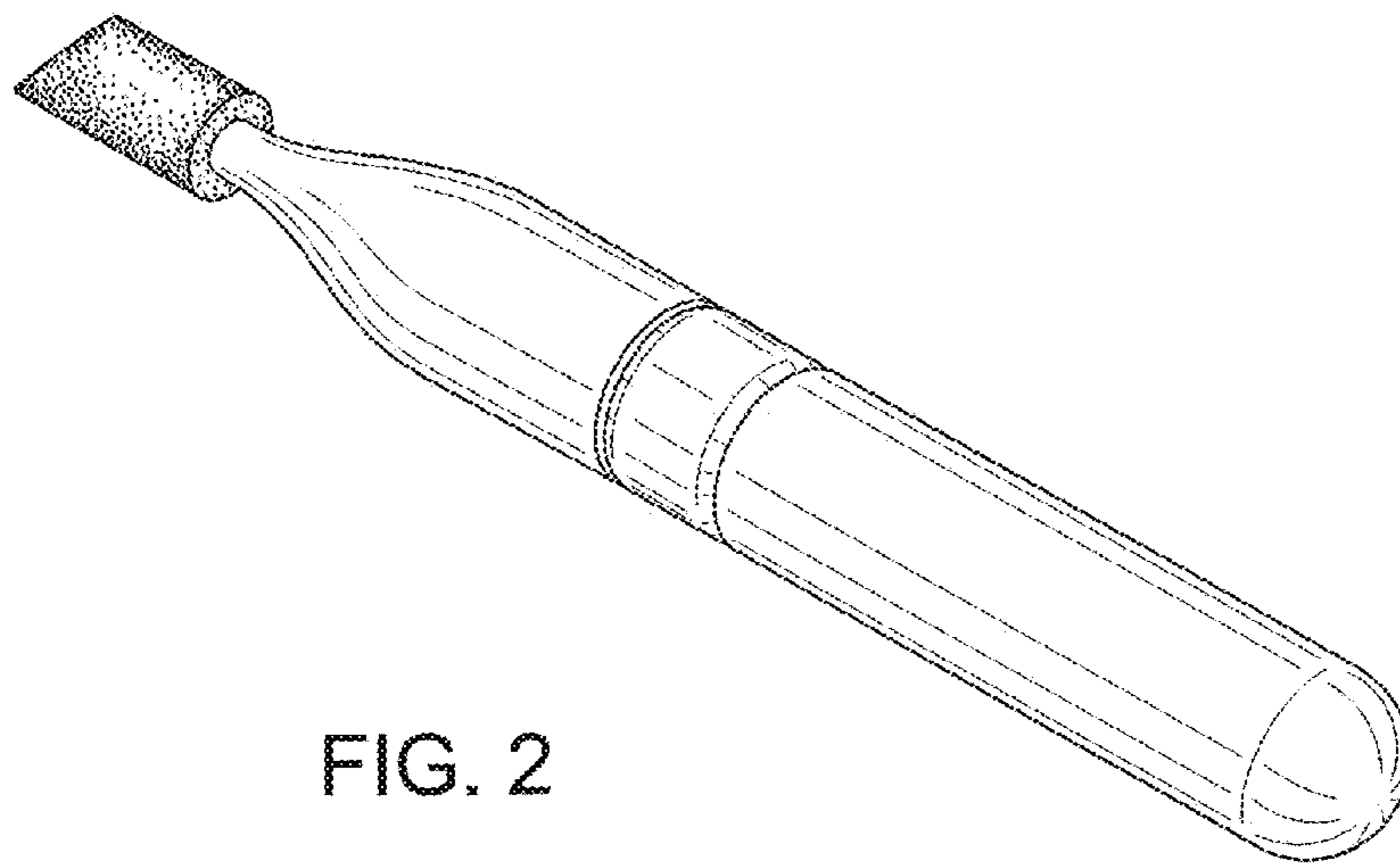


FIG. 2

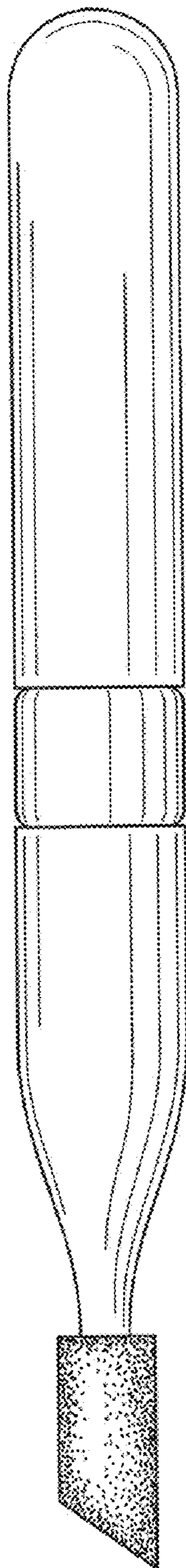


FIG. 3

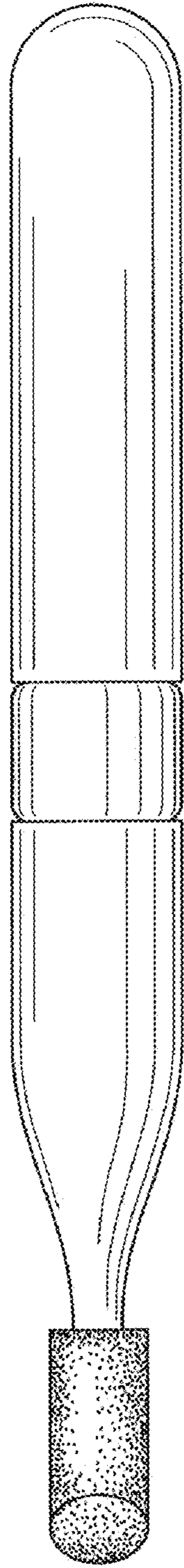


FIG. 4

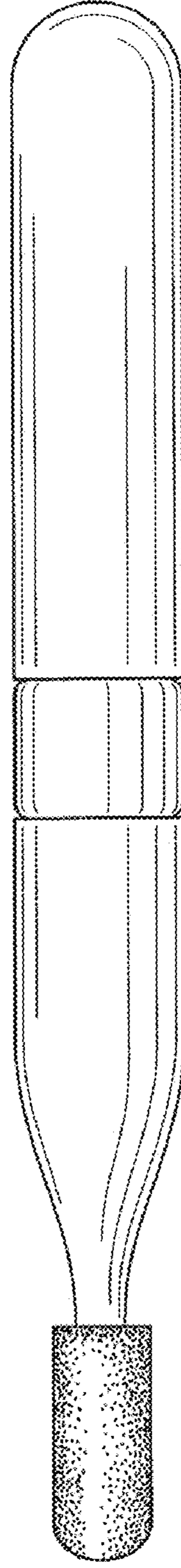


FIG. 5

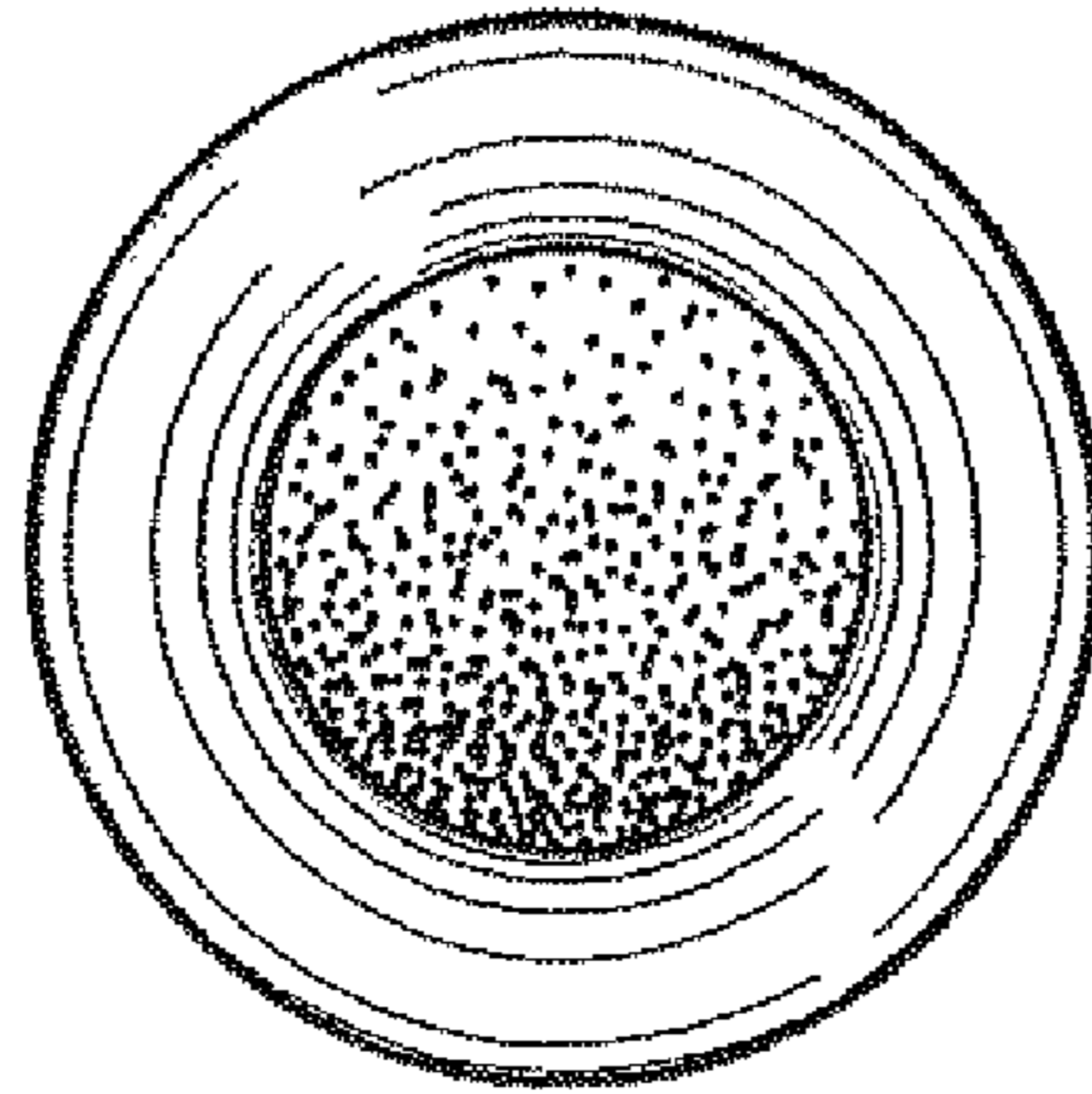


FIG. 6

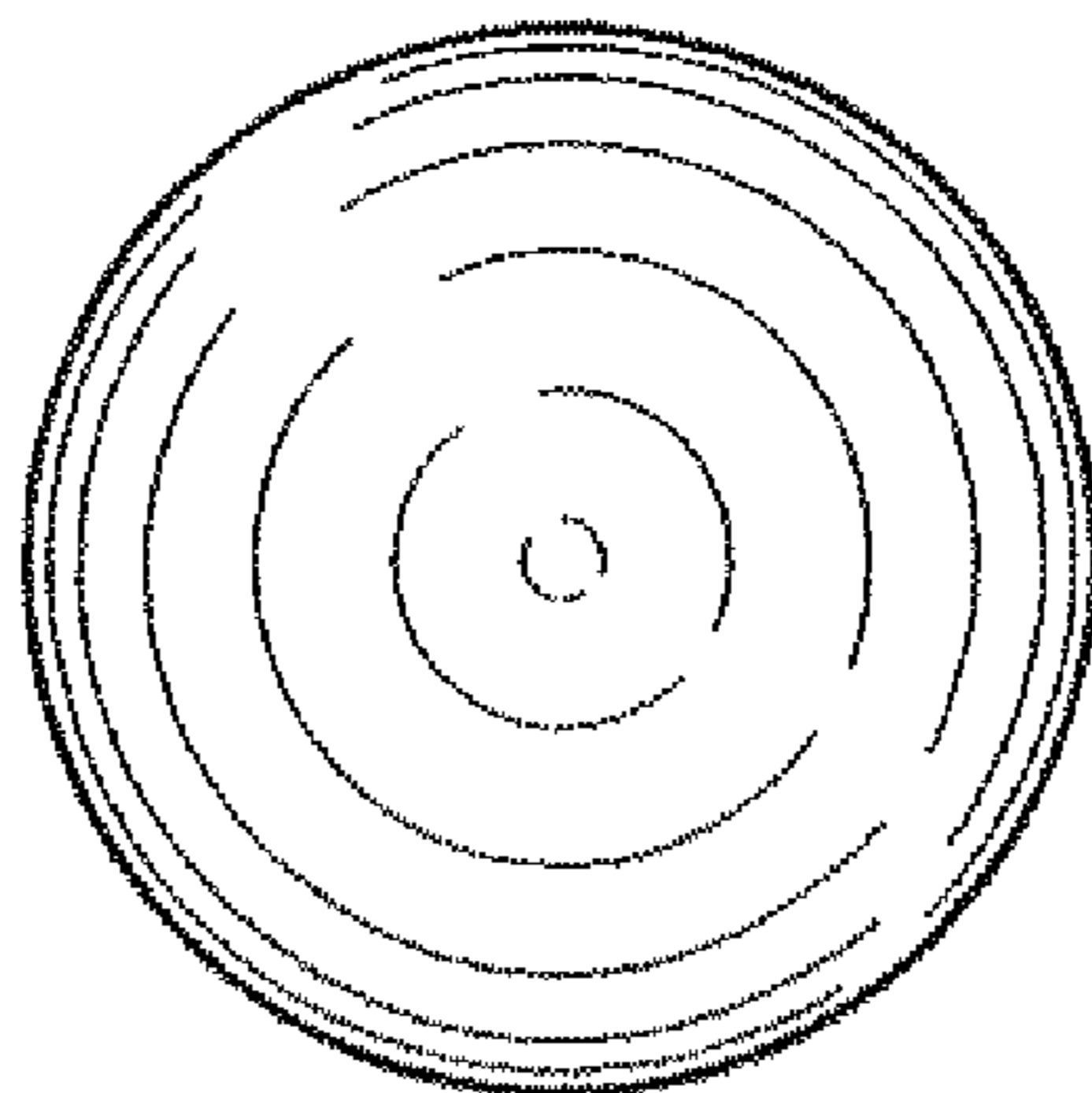


FIG. 7