

US00D669981S

(12) **United States Design Patent**
Ruiz, Sr. et al.

(10) **Patent No.:** **US D669,981 S**
(45) **Date of Patent:** **** Oct. 30, 2012**

(54) **DISPENSING APPLICATOR WITH A RIBBED GRIP**

(75) Inventors: **Rafael Ruiz, Sr.**, Hudson, NC (US);
Sheng Zhang, Hickory, NC (US);
Martin Krauss, Fort Myers, FL (US)

(73) Assignee: **Adhezion Biomedical, LLC**,
Wyomissing, PA (US)

(**) Term: **14 Years**

(21) Appl. No.: **29/405,411**

(22) Filed: **Nov. 2, 2011**

(51) **LOC (9) Cl.** **24-02**

(52) **U.S. Cl.** **D24/133; D9/725; D28/7**

(58) **Field of Classification Search** D24/133,
D24/112, 119, 207, 152, 176; D19/66; D9/723-729,
D9/695-697, 730, 732, 733; D28/7; 239/591,
239/593; 602/901; 604/1; 606/41; 433/226
See application file for complete search history.

(56) **References Cited**

U.S. PATENT DOCUMENTS

D274,697 S	7/1984	Venne	
D300,118 S	3/1989	Venne et al.	
4,844,250 A	7/1989	Holoubek et al.	
D307,191 S	4/1990	Blutenthal	
D315,792 S *	3/1991	Kachigian	D24/147
D364,923 S	12/1995	Chou	
D376,204 S	12/1996	Huculak et al.	
D376,422 S	12/1996	Bailey	
D379,230 S *	5/1997	Mark	D24/152
D380,265 S *	6/1997	Mark	D24/152
D390,117 S	2/1998	Kan et al.	
D397,441 S *	8/1998	Mark	D24/176
D403,768 S *	1/1999	Mark et al.	D24/152
D413,381 S *	8/1999	Mark	D24/152
D414,688 S	10/1999	Loeb et al.	
D418,246 S	12/1999	Turri	
D429,847 S	8/2000	Lang	

D430,298 S	8/2000	Holms	
D440,654 S *	4/2001	Mark	D24/119
D441,447 S	5/2001	Hjertman et al.	
D443,930 S	6/2001	Nestenborg	
D456,078 S *	4/2002	Peterson et al.	D24/152
D462,444 S *	9/2002	Maissami	D24/152
6,981,664 B1	1/2006	Fugere	
D540,470 S	4/2007	Boone et al.	
D543,469 S	5/2007	Py et al.	
D550,283 S	9/2007	Koreska	
D559,385 S	1/2008	Boone et al.	
D561,046 S	2/2008	Kerman	
D570,708 S	6/2008	Kerman	
D599,014 S	8/2009	Boone et al.	
7,785,026 B2	8/2010	Eng et al.	
D641,468 S *	7/2011	Ruiz et al.	D24/133
D641,469 S *	7/2011	Ruiz et al.	D24/133
D655,004 S *	2/2012	Ruiz et al.	D24/133

(Continued)

Primary Examiner — Bridget L Eland

(74) *Attorney, Agent, or Firm* — Stradley Ronon Stevens & Young, LLP

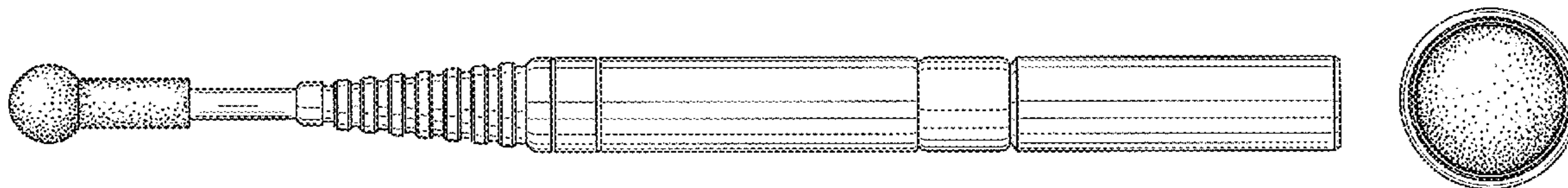
(57) **CLAIM**

The ornamental design for a dispensing applicator with a ribbed grip, substantially as shown and described.

DESCRIPTION

FIG. 1 is a perspective view of the ornamental design for the dispensing applicator with a ribbed grip;
FIG. 2 is a second perspective view of the ornamental design for the dispensing applicator with a ribbed grip;
FIG. 3 is a view of any side, the top, and the bottom of the ornamental design for the dispensing applicator with a ribbed grip;
FIG. 4 is a front view of the ornamental design for the dispensing applicator with a ribbed grip; and,
FIG. 5 is a rear view of the ornamental design for the dispensing applicator with a ribbed grip.

1 Claim, 3 Drawing Sheets



US D669,981 S

Page 2

U.S. PATENT DOCUMENTS		2012/0070220 A1*	3/2012	Ruiz et al.	401/134
2008/0033280	A1	2/2008		Lubbock et al.	
2010/0274258	A1	10/2010		Silvestrini et al.	
2011/0028883	A1	2/2011		Juan, Jr. et al.	

* cited by examiner

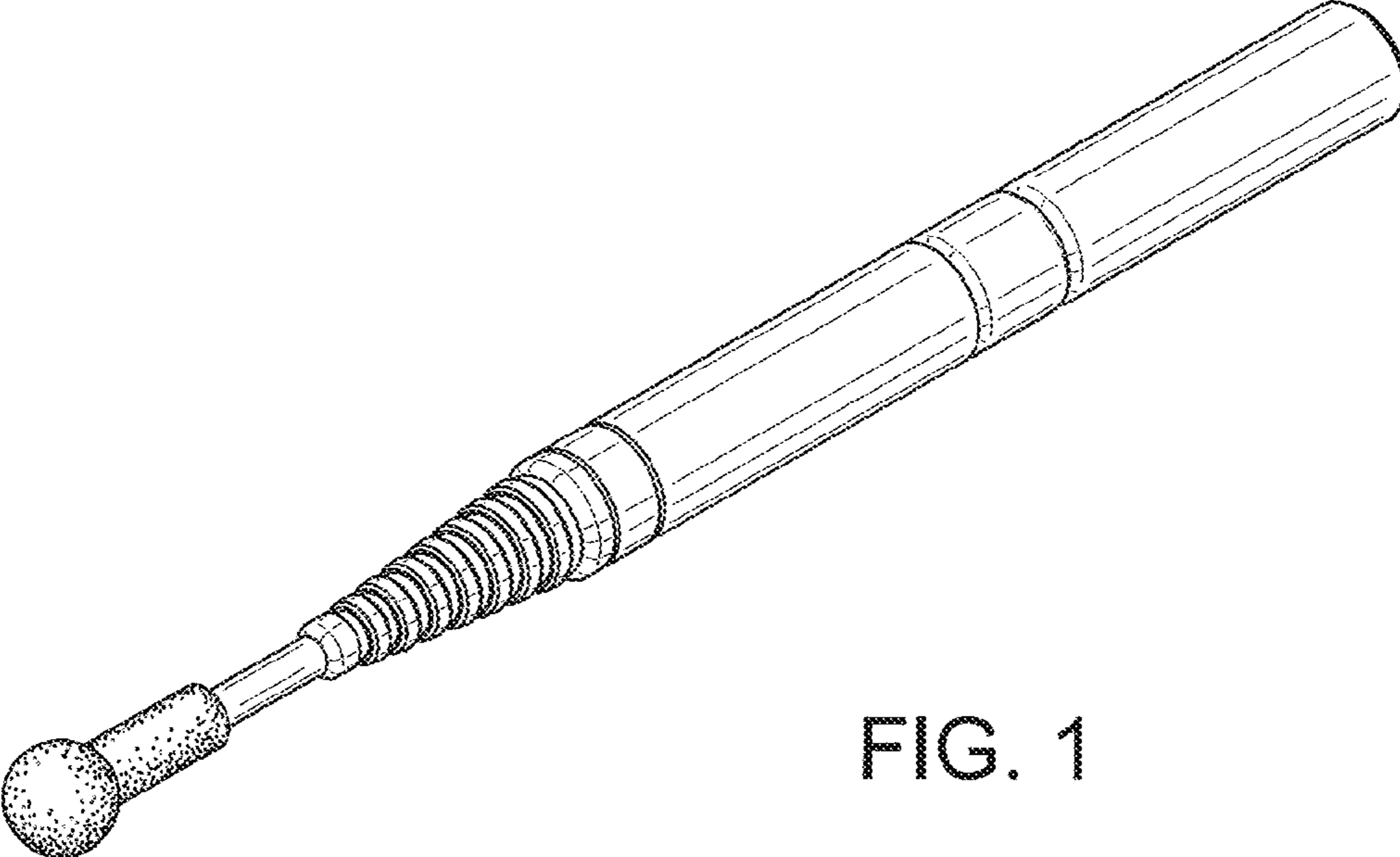


FIG. 1

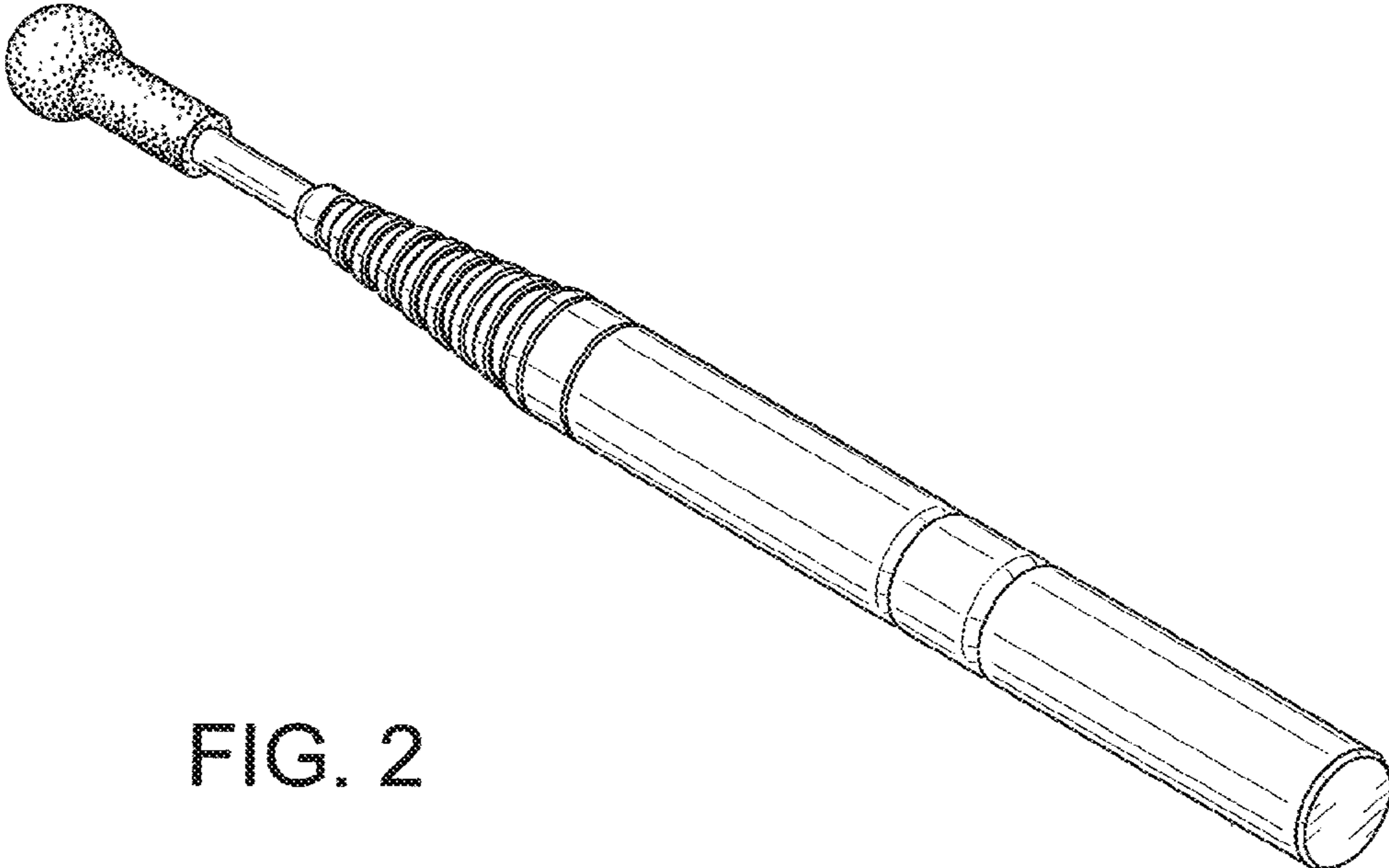


FIG. 2

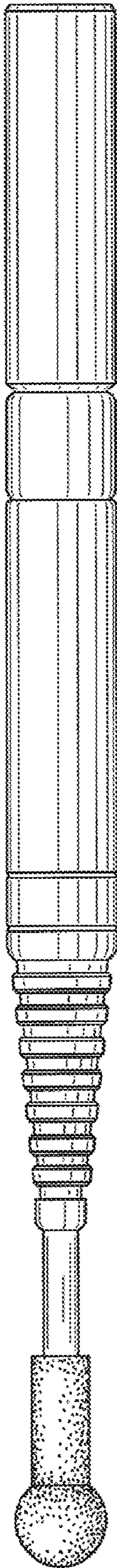


FIG. 3

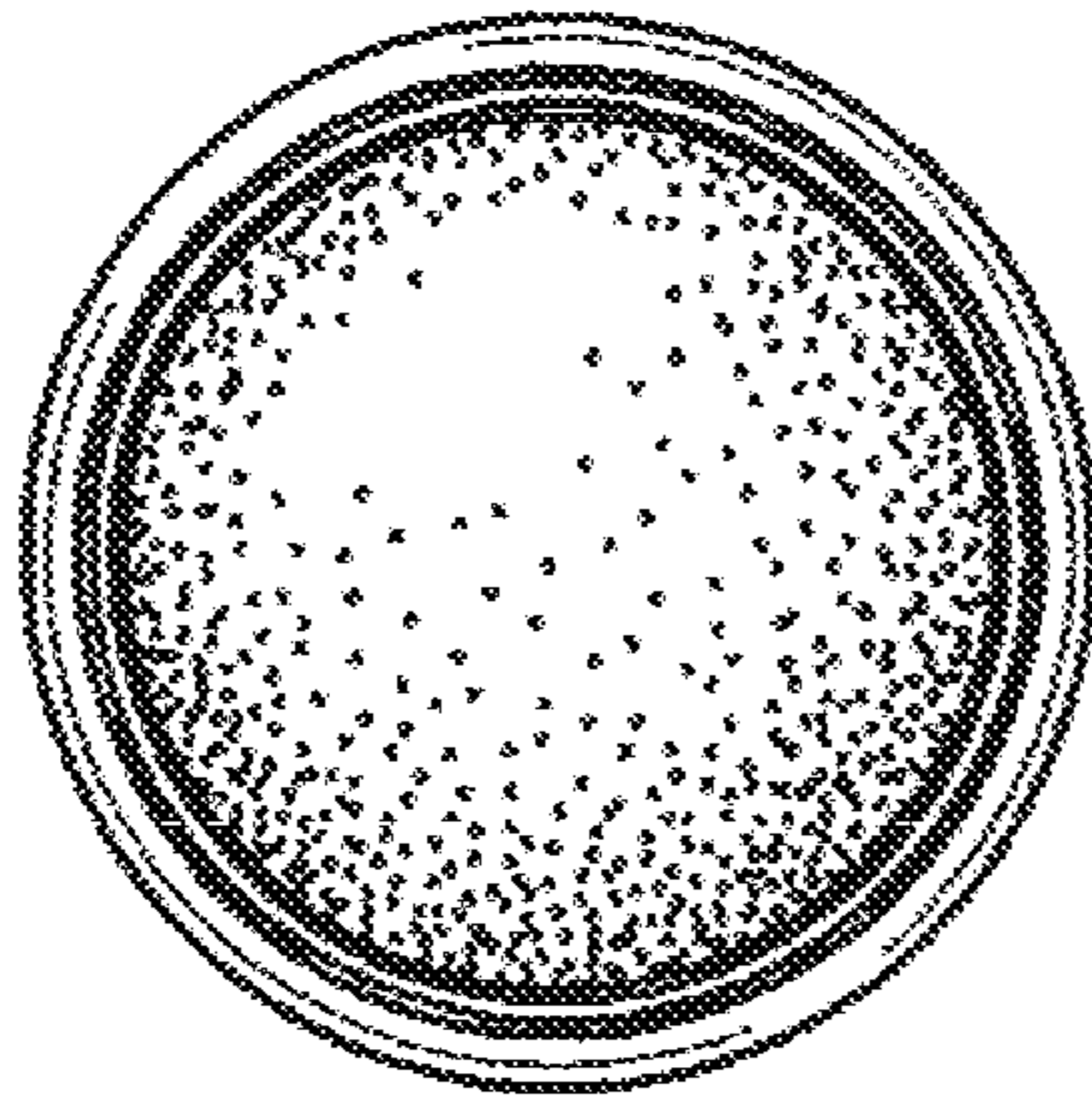


FIG. 4

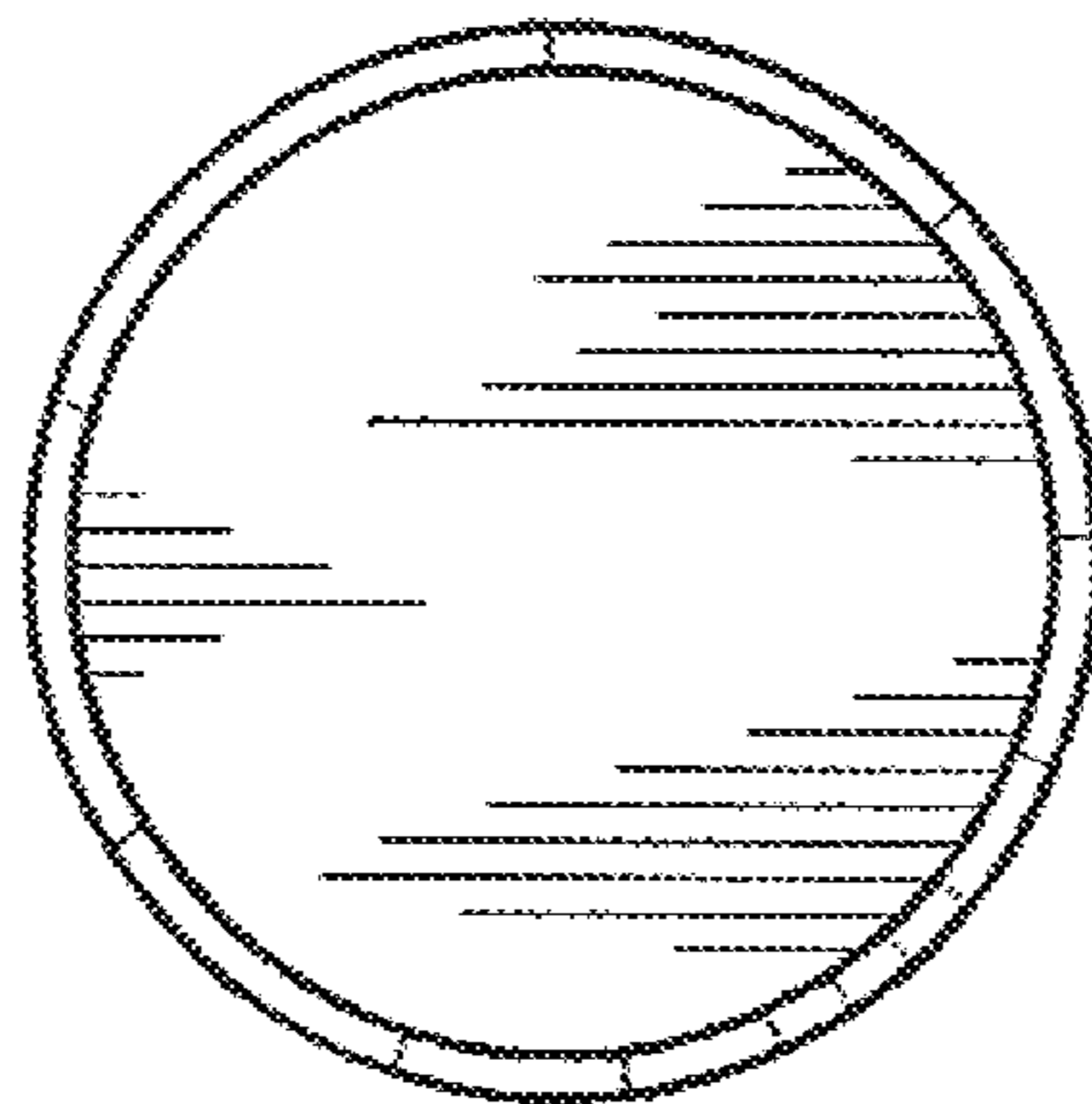


FIG. 5