

US00D669980S

(12) **United States Design Patent**  
**Lev et al.**

(10) **Patent No.:** **US D669,980 S**  
(45) **Date of Patent:** **\*\* Oct. 30, 2012**

(54) **VENTED VIAL ADAPTER**  
(75) Inventors: **Amir Lev**, Kfar Saba (IL); **Nimrod Lev**,  
Savion (IL); **Igor Betis**, Rishon Le'zion  
(IL); **Niv Ben Shalom**, Netanya (IL)

4,187,848 A 2/1980 Taylor  
4,210,173 A 7/1980 Choksi et al.  
D257,286 S 10/1980 Folkman  
4,253,501 A 3/1981 Ogle  
4,296,786 A 10/1981 Brignola  
(Continued)

(73) Assignee: **Medimop Medical Projects Ltd.**,  
Ra'anana (IL)

**FOREIGN PATENT DOCUMENTS**

(\*\*) Term: **14 Years**

DE 1913926 A1 9/1970  
(Continued)

(21) Appl. No.: **29/376,980**

**OTHER PUBLICATIONS**

(22) Filed: **Oct. 15, 2010**

Grifols Vial Adapter Product Literature, 2 pages, Jan. 2002. cited by  
other.

(51) **LOC (9) Cl.** ..... **24-01**

(Continued)

(52) **U.S. Cl.** ..... **D24/129; D24/224**

(58) **Field of Classification Search** ..... D24/216–217,  
D24/219, 222–226, 227, 231, 232, 108, 127,  
D24/129, 130; D3/203.1–203.8, 202; D9/452,  
D9/454; 435/288.1, 288.3, 304.1, 304.3;  
422/500, 547, 548, 549, 550, 554, 556, 910;  
604/411, 414, 412

*Primary Examiner* — Anhdao Doan

(74) *Attorney, Agent, or Firm* — Panitch Schwarze Belisario  
& Nadel LLP

See application file for complete search history.

(57) **CLAIM**

The ornamental design for a vented vial adapter, as shown and  
described.

(56) **References Cited**

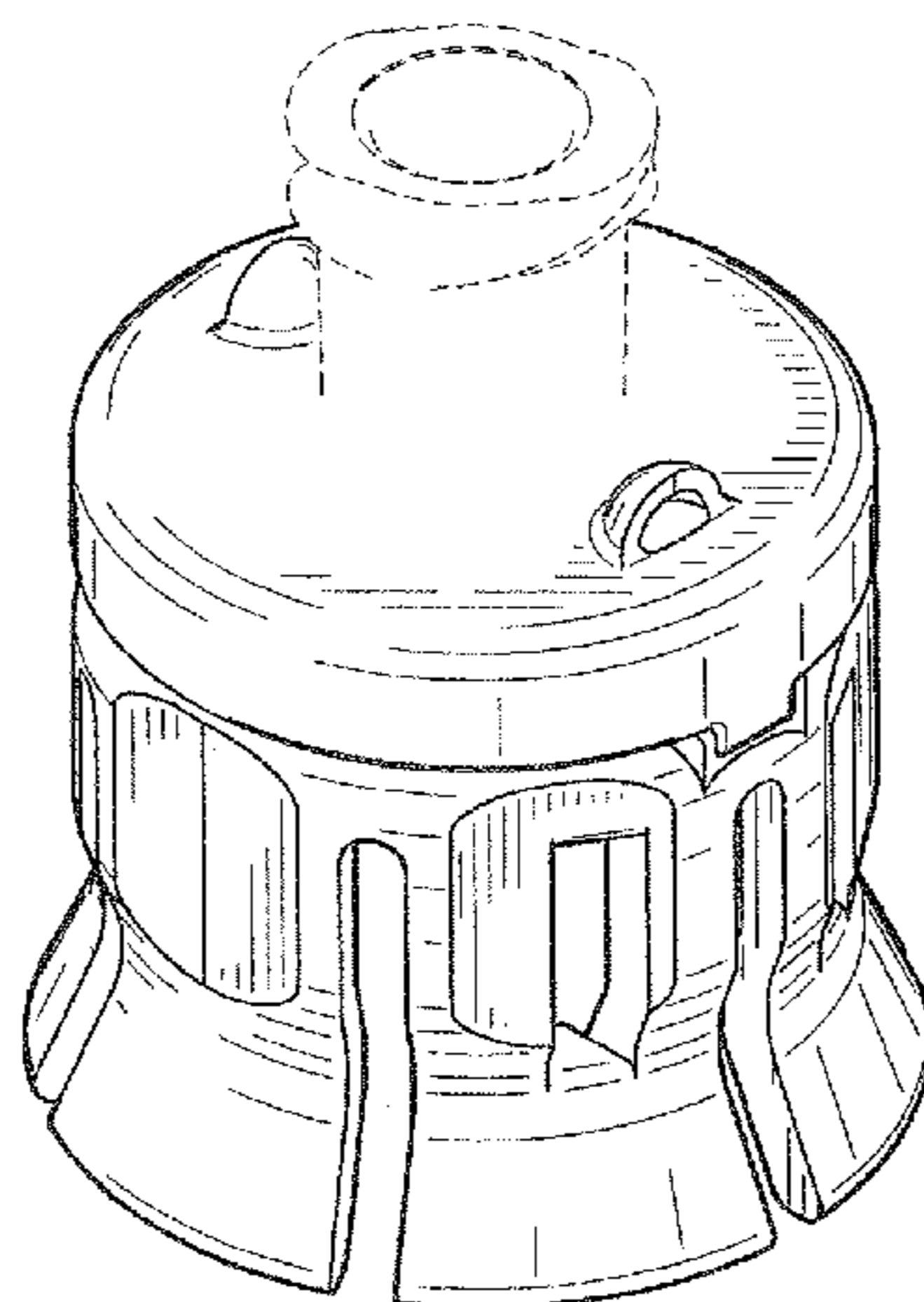
**DESCRIPTION**

**U.S. PATENT DOCUMENTS**

62,333 A 2/1867 Holl  
1,704,817 A 3/1929 Ayers  
1,930,944 A 10/1933 Schmitz, Jr.  
2,326,490 A 8/1943 Perelson  
2,931,668 A 4/1960 Baley  
2,968,497 A 1/1961 Treleman  
3,059,643 A 10/1962 Barton  
D198,499 S 6/1964 Harautuneian  
3,484,849 A 12/1969 Huebner et al.  
3,618,637 A 11/1971 Santomieri  
3,757,981 A 9/1973 Harris, Sr. et al.  
3,826,261 A 7/1974 Killinger  
3,885,607 A 5/1975 Peltier  
3,957,052 A 5/1976 Topham  
3,977,555 A 8/1976 Larson  
3,993,063 A 11/1976 Larrabee  
4,020,839 A 5/1977 Klapp  
4,051,852 A 10/1977 Villari  
4,109,670 A 8/1978 Slagel

FIG. 1 is a top perspective view of a vented vial adapter in  
accordance with our new design;  
FIG. 2 is a bottom perspective view thereof;  
FIG. 3 is a front elevational view thereof;  
FIG. 4 is a top plan view thereof;  
FIG. 5 is a left side elevational view thereof;  
FIG. 6 is right side elevational view thereof;  
FIG. 7 is a rear elevational view thereof; and,  
FIG. 8 is a bottom plan view.  
The dot-dash lines in FIG. 8 depict the boundaries of the  
claim, and all other broken lines in the drawing views are  
included for the purpose of illustrating portions of the vented  
vial adapter that form no part of the claimed design. None of  
the broken lines form a part of the claimed design.

**1 Claim, 4 Drawing Sheets**



# US D669,980 S

Page 2

U.S. PATENT DOCUMENTS							
4,314,586	A	2/1982	Folkman	5,464,123	A	11/1995	Scarrow
4,328,802	A	5/1982	Curley et al.	5,466,219	A	11/1995	Lynn et al.
D267,199	S	12/1982	Koenig	5,466,220	A	11/1995	Brenneman
4,376,634	A	3/1983	Prior et al.	5,478,337	A	12/1995	Okamoto et al.
D271,421	S	11/1983	Fetterman	5,492,147	A	2/1996	Challender et al.
4,434,823	A	3/1984	Hudspith	5,505,714	A	4/1996	Dassa et al.
4,475,915	A	10/1984	Sloane	5,509,433	A	4/1996	Paradis
4,493,348	A	1/1985	Lemmons	5,520,659	A	5/1996	Hedges
4,505,709	A	3/1985	Froning et al.	5,526,853	A	6/1996	McPhee et al.
4,507,113	A	3/1985	Dunlap	5,531,695	A	7/1996	Swisher
D280,018	S	8/1985	Scott	5,554,128	A	9/1996	Hedges
4,532,969	A	8/1985	Kwaan	5,566,729	A	10/1996	Grabenkort et al.
4,564,054	A	1/1986	Gustavsson	5,569,191	A	10/1996	Meyer
4,576,211	A	3/1986	Valentini et al.	5,573,281	A	11/1996	Keller
4,588,396	A	5/1986	Stroebel et al.	5,578,015	A	11/1996	Robb
4,588,403	A	5/1986	Weiss et al.	5,583,052	A	12/1996	Portnoff et al.
D284,603	S	7/1986	Loignon	5,584,819	A	12/1996	Kopfer
4,604,093	A	8/1986	Brown et al.	5,591,143	A	1/1997	Trombley, III et al.
4,607,671	A	8/1986	Aalto et al.	5,607,439	A	3/1997	Yoon
4,614,437	A	9/1986	Buehler	5,611,576	A	3/1997	Guala
4,638,975	A	1/1987	Iuchi et al.	5,616,203	A	4/1997	Stevens
4,639,019	A	1/1987	Mittleman	5,636,660	A	6/1997	Pfleiderer et al.
4,667,927	A	5/1987	Oscarsson	5,641,010	A	6/1997	Maier
4,676,530	A	6/1987	Nordgren et al.	5,647,845	A	7/1997	Haber et al.
4,683,975	A	8/1987	Booth et al.	5,651,776	A	7/1997	Appling et al.
4,697,622	A	10/1987	Swift et al.	5,653,686	A	8/1997	Coulter et al.
4,721,133	A	1/1988	Sundblom	5,674,195	A	10/1997	Truthan
4,729,401	A	3/1988	Raines	5,718,346	A	2/1998	Weiler
4,743,229	A	5/1988	Chu	D393,722	S	4/1998	Fangrow, Jr. et al.
4,743,243	A	5/1988	Vaillancourt	5,738,144	A	4/1998	Rogers
4,758,235	A	7/1988	Tu	5,743,312	A	4/1998	Pfeifer et al.
4,759,756	A	7/1988	Forman et al.	5,746,733	A	5/1998	Capaccio et al.
4,778,447	A	10/1988	Velde et al.	5,755,696	A	5/1998	Caizza
4,787,898	A	11/1988	Raines	5,772,630	A	6/1998	Ljungquist
4,797,898	A	1/1989	Martinez	5,772,652	A	6/1998	Zielinski
4,834,152	A	5/1989	Howson et al.	RE35,841	E	7/1998	Frank et al.
4,865,592	A	9/1989	Rycroft	5,820,621	A	10/1998	Yale et al.
4,909,290	A	3/1990	Coccia	5,827,262	A	10/1998	Neftel et al.
4,967,797	A	11/1990	Manska	5,832,971	A	11/1998	Yale et al.
D314,050	S	1/1991	Sone	5,833,213	A	11/1998	Ryan
4,997,430	A	3/1991	Van der Heiden et al.	5,834,744	A	11/1998	Risman
5,035,686	A	7/1991	Crittenden et al.	5,873,872	A	2/1999	Thibault et al.
5,041,105	A	8/1991	D'Alo et al.	5,879,337	A	3/1999	Kuracina et al.
5,045,066	A	9/1991	Scheuble et al.	5,879,345	A	3/1999	Aneas
5,049,129	A	9/1991	Zdeb et al.	5,887,633	A	3/1999	Yale et al.
5,053,015	A	10/1991	Gross	5,893,397	A	4/1999	Peterson et al.
5,061,248	A	10/1991	Sacco	5,919,182	A	7/1999	Avallone
5,088,996	A	2/1992	Kopfer et al.	5,925,029	A	7/1999	Jansen et al.
5,096,575	A	3/1992	Cosack	5,944,700	A	8/1999	Nguyen et al.
5,104,387	A	4/1992	Pokorney et al.	5,971,965	A	10/1999	Mayer
5,113,904	A	5/1992	Aslanian	5,989,237	A	11/1999	Fowles et al.
5,122,124	A	6/1992	Novacek et al.	6,003,566	A	12/1999	Thibault et al.
5,125,908	A	6/1992	Cohen	6,004,278	A	12/1999	Botich et al.
5,171,230	A	12/1992	Eland et al.	6,063,068	A	5/2000	Fowles et al.
5,201,705	A	4/1993	Berglund et al.	D427,308	S	6/2000	Zinger
5,201,717	A	4/1993	Wyatt et al.	6,080,132	A	6/2000	Cole et al.
5,203,771	A	4/1993	Melker et al.	6,090,093	A	7/2000	Thibault et al.
5,203,775	A	4/1993	Frank et al.	6,099,511	A	8/2000	Devos et al.
5,211,638	A	5/1993	Dudar et al.	6,113,583	A	9/2000	Fowles et al.
5,232,109	A	8/1993	Tirrell et al.	6,139,534	A	10/2000	Niedospial, Jr. et al.
5,247,972	A	9/1993	Tetreault	6,142,446	A	11/2000	Leinsing
5,269,768	A	12/1993	Cheung	6,156,025	A	12/2000	Niedospial, Jr. et al.
5,270,219	A	12/1993	DeCastro et al.	6,159,192	A	12/2000	Fowles et al.
5,279,576	A	1/1994	Loo et al.	6,171,293	B1	1/2001	Rowley et al.
5,288,290	A	2/1994	Brody	6,174,304	B1	1/2001	Weston
5,304,163	A	4/1994	Bonnici et al.	6,221,041	B1	4/2001	Russo
5,312,377	A	5/1994	Dalton	6,221,054	B1	4/2001	Martin et al.
5,328,474	A	7/1994	Raines	6,238,372	B1	5/2001	Zinger et al.
5,334,163	A	8/1994	Sinnott	6,245,044	B1	6/2001	Daw et al.
5,342,346	A	8/1994	Honda et al.	D445,501	S	7/2001	Niedospial, Jr.
5,344,417	A	9/1994	Wadsworth, Jr.	6,253,804	B1	7/2001	Safabash
5,350,372	A	9/1994	Ikeda et al.	6,258,078	B1	7/2001	Thilly
5,364,387	A	11/1994	Sweeney	6,280,430	B1	8/2001	Neftel et al.
5,374,264	A	12/1994	Wadsworth, Jr.	6,343,629	B1	2/2002	Wessman et al.
5,385,547	A	1/1995	Wong et al.	6,348,044	B1	2/2002	Coletti et al.
5,397,303	A	3/1995	Sancoff et al.	6,358,236	B1	3/2002	DeFoggi et al.
5,445,630	A	8/1995	Richmond	6,379,340	B1	4/2002	Zinger et al.
5,445,631	A	8/1995	Uchida	6,408,897	B1	6/2002	Laurent et al.
				6,409,708	B1	6/2002	Wessman

# US D669,980 S

6,453,956 B2	9/2002	Safabash	D616,984 S	6/2010	Gilboa
6,474,375 B2	11/2002	Spero et al.	7,731,678 B2	6/2010	Tennican et al.
6,478,788 B1	11/2002	Aneas	7,743,799 B2	6/2010	Mosler et al.
D468,015 S	12/2002	Horppu	7,758,082 B2	7/2010	Weigel et al.
6,503,240 B1	1/2003	Niedospial, Jr. et al.	7,771,383 B2	8/2010	Truitt et al.
6,503,244 B2	1/2003	Hayman	7,799,009 B2	9/2010	Niedospial, Jr. et al.
6,524,278 B1	2/2003	Campbell et al.	7,803,140 B2	9/2010	Fangrow, Jr.
D472,316 S	3/2003	Douglas et al.	D630,732 S *	1/2011	Lev et al. .... D24/129
6,530,903 B2	3/2003	Wang et al.	7,879,018 B2	2/2011	Zinger et al.
D472,630 S	4/2003	Douglas et al.	7,900,659 B2 *	3/2011	Whitley et al. .... 604/411
6,544,246 B1	4/2003	Niedospial, Jr.	D637,713 S	5/2011	Nord et al.
6,551,299 B2	4/2003	Miyoshi et al.	2001/0029360 A1	10/2001	Miyoshi et al.
6,558,365 B2	5/2003	Zinger et al.	2001/0051793 A1	12/2001	Weston
6,572,591 B2	6/2003	Mayer	2002/0017328 A1	2/2002	Loo
6,575,955 B2	6/2003	Azzolini	2002/0066715 A1	6/2002	Niedospial
6,581,593 B1	6/2003	Rubin et al.	2002/0087118 A1	7/2002	Reynolds et al.
6,582,415 B1	6/2003	Fowles et al.	2002/0087141 A1	7/2002	Zinger et al.
6,591,876 B2	7/2003	Safabash	2002/0087144 A1	7/2002	Zinger et al.
6,652,509 B1	11/2003	Helgren et al.	2002/0121496 A1	9/2002	Thiebault et al.
D483,487 S	12/2003	Harding et al.	2002/0123736 A1	9/2002	Fowles et al.
D483,869 S	12/2003	Tran et al.	2002/0127150 A1	9/2002	Sasso
6,656,433 B2	12/2003	Sasso	2002/0173752 A1	11/2002	Polzin
6,666,852 B2	12/2003	Niedospial, Jr.	2002/0193777 A1	12/2002	Aneas
6,681,810 B2	1/2004	Weston	2003/0036725 A1	2/2003	Lavi et al.
6,681,946 B1	1/2004	Jansen et al.	2003/0100866 A1	5/2003	Reynolds
6,695,829 B2	2/2004	Hellstrom et al.	2003/0120209 A1	6/2003	Jensen et al.
6,699,229 B2	3/2004	Zinger et al.	2003/0153895 A1	8/2003	Leinsing
6,706,031 B2	3/2004	Manera	2003/0195479 A1	10/2003	Kuracina et al.
6,715,520 B2	4/2004	Andreasson et al.	2003/0199846 A1	10/2003	Fowles et al.
6,729,370 B2	5/2004	Norton et al.	2003/0199847 A1	10/2003	Akerlund et al.
6,736,798 B2	5/2004	Ohkubo et al.	2004/0024354 A1	2/2004	Reynolds
6,745,998 B2	6/2004	Doyle	2004/0044327 A1	3/2004	Hasegawa
6,746,438 B1	6/2004	Arnisolle	2004/0073189 A1	4/2004	Wyatt et al.
6,752,180 B2	6/2004	Delay	2004/0153047 A1	8/2004	Blank et al.
D495,416 S	8/2004	Dimeo et al.	2004/0181192 A1	9/2004	Cuppy
D496,457 S	9/2004	Prais et al.	2004/0217315 A1	11/2004	Doyle
6,832,994 B2	12/2004	Niedospial, Jr. et al.	2004/0236305 A1	11/2004	Jansen et al.
6,852,103 B2	2/2005	Fowles et al.	2005/0124964 A1	6/2005	Niedospial et al.
6,875,203 B1	4/2005	Fowles et al.	2005/0137566 A1	6/2005	Fowles et al.
6,875,205 B2	4/2005	Leinsing	2005/0148994 A1	7/2005	Leinsing
6,878,131 B2	4/2005	Novacek et al.	2006/0030832 A1	2/2006	Niedospial et al.
6,890,328 B2	5/2005	Fowles et al.	2006/0079834 A1	4/2006	Tennican et al.
6,901,975 B2	6/2005	Aramata et al.	2006/0089594 A1	4/2006	Landau
6,949,086 B2	9/2005	Ferguson et al.	2006/0089603 A1	4/2006	Truitt et al.
RE38,996 E	2/2006	Crawford et al.	2006/0106360 A1	5/2006	Wong
6,994,315 B2	2/2006	Ryan et al.	2006/0135948 A1	6/2006	Varma
6,997,917 B2	2/2006	Niedospial, Jr. et al.	2006/0253084 A1	11/2006	Nordgren
7,024,968 B2	4/2006	Raudabough et al.	2007/0060904 A1	3/2007	Vedrine et al.
7,074,216 B2	7/2006	Fowles et al.	2007/0079894 A1	4/2007	Kraus et al.
7,083,600 B2	8/2006	Meloul	2007/0083164 A1	4/2007	Barrelle et al.
7,150,735 B2	12/2006	Hickle	2007/0088252 A1	4/2007	Pestotnik et al.
7,192,423 B2	3/2007	Wong	2007/0088293 A1	4/2007	Fangrow
7,294,122 B2	11/2007	Kubo et al.	2007/0088313 A1	4/2007	Zinger et al.
D561,348 S	2/2008	Zinger et al.	2007/0106244 A1	5/2007	Mosler et al.
7,326,194 B2	2/2008	Zinger et al.	2007/0156112 A1	7/2007	Walsh
7,350,764 B2	4/2008	Raybuck	2007/0167904 A1	7/2007	Zinger et al.
7,354,422 B2	4/2008	Riesenberger et al.	2007/0191760 A1	8/2007	Iguchi et al.
7,354,427 B2	4/2008	Fangrow	2007/0191764 A1	8/2007	Zihlmann
7,425,209 B2	9/2008	Fowles et al.	2007/0191767 A1	8/2007	Hennessy et al.
7,435,246 B2	10/2008	Zihlmann	2007/0219483 A1	9/2007	Kitani et al.
7,452,348 B2	11/2008	Hasegawa	2007/0244461 A1	10/2007	Fangrow
7,470,265 B2	12/2008	Brugger et al.	2007/0244462 A1	10/2007	Fangrow
7,488,297 B2	2/2009	Flaherty	2007/0244463 A1	10/2007	Warren et al.
7,491,197 B2	2/2009	Jansen et al.	2007/0255202 A1	11/2007	Kitani et al.
7,523,967 B2	4/2009	Steppe	2007/0265574 A1	11/2007	Tennican et al.
D595,420 S	6/2009	Suzuki et al.	2007/0265581 A1	11/2007	Funamura et al.
D595,421 S	6/2009	Suzuki et al.	2007/0270778 A9	11/2007	Zinger et al.
7,540,863 B2	6/2009	Haindl	2007/0287953 A1	12/2007	Ziv et al.
7,540,865 B2	6/2009	Griffin et al.	2008/0009789 A1	1/2008	Zinger et al.
D595,862 S	7/2009	Suzuki et al.	2008/0172024 A1	7/2008	Yow
D595,863 S	7/2009	Suzuki et al.	2008/0249479 A1	10/2008	Zinger et al.
7,611,487 B2	11/2009	Woehr et al.	2008/0249498 A1	10/2008	Fangrow
7,611,502 B2	11/2009	Daly	2008/0312634 A1	12/2008	Helmerson et al.
7,628,779 B2	12/2009	Aneas	2009/0012492 A1	1/2009	Zihlmann
7,632,261 B2	12/2009	Zinger et al.	2009/0054834 A1	2/2009	Zinger et al.
7,654,995 B2	2/2010	Warren et al.	2009/0082750 A1	3/2009	Denenburg et al.
7,695,445 B2	4/2010	Yuki	2009/0143758 A1	6/2009	Okiyama
D616,090 S *	5/2010	Kawamura ..... D24/127	2009/0177177 A1	7/2009	Zinger et al.
7,722,090 B2	5/2010	Burton et al.	2009/0177178 A1	7/2009	Pedersen

2009/0187140	A1	7/2009	Racz
2009/0216212	A1	8/2009	Fangrow, Jr.
2009/0299325	A1	12/2009	Vedrine et al.
2009/0326506	A1	12/2009	Hasegawa et al.
2010/0010443	A1	1/2010	Morgan et al.
2010/0030181	A1	2/2010	Helle et al.
2010/0036319	A1	2/2010	Drake et al.
2010/0076397	A1	3/2010	Reed et al.
2010/0087786	A1	4/2010	Zinger et al.
2010/0137827	A1	6/2010	Warren et al.
2010/0179506	A1*	7/2010	Shemesh et al. .... 604/414
2010/0204670	A1*	8/2010	Kraushaar et al. .... 604/414
2010/0228220	A1	9/2010	Zinger et al.
2010/0241088	A1	9/2010	Ranalletta et al.
2010/0286661	A1	11/2010	Raday et al.
2010/0312220	A1	12/2010	Kalitzki
2011/0230856	A1	9/2011	Kyle et al.
2011/0264069	A1	10/2011	Bochenko
2011/0276007	A1	11/2011	Denenburg

FOREIGN PATENT DOCUMENTS

DE	4122476	A1	1/1993
DE	19504413	A1	8/1996
DE	202004012714	U1	11/2004
EP	0192661	A1	9/1986
EP	0195018	A1	9/1986
EP	0258913	A2	3/1988
EP	0416454	A2	3/1991
EP	0518397	A1	12/1992
EP	0521460	A1	1/1993
EP	0637443	A1	2/1995
EP	0737467	A1	10/1996
EP	0806597	A1	11/1997
EP	0814866	A1	1/1998
EP	0898951	A2	3/1999
EP	1008337	A1	6/2000
EP	1029526	A1	8/2000
EP	1051988	A2	11/2000
EP	1329210	A1	7/2003
EP	1454609	A1	9/2004
EP	1454650	A1	9/2004
EP	1498097	A2	1/2005
EP	1872824	A1	1/2008
EP	1930038	A2	6/2008
FR	2029242	A5	10/1970
FR	2869795	A1	11/2005
GB	1444210	A	7/1976
JP	4329954	A	11/1992
JP	11503627	T	3/1999
JP	2003-102807	A	4/2003
WO	9403373	A1	2/1994
WO	9507066	A1	3/1995
WO	9600053	A1	1/1996
WO	9629113	A1	9/1996
WO	9832411	A1	7/1998
WO	9837854	A1	9/1998
WO	0128490	A1	4/2001
WO	0130425	A1	5/2001
WO	0132524	A1	5/2001
WO	0160311	A1	8/2001
WO	0191693	A2	12/2001
WO	200209797	A1	2/2002
WO	03051423	A2	6/2003
WO	2004041148	A1	5/2004
WO	2005105014	A2	11/2005
WO	2007015233	A1	2/2007
WO	2007105221	A1	9/2007
WO	2009026443	A2	2/2009
WO	2009029010	A1	3/2009
WO	2009038860	A2	3/2009
WO	2009040804	A2	4/2009
WO	2009087572	A1	7/2009
WO	2009093249	A1	7/2009
WO	2009112489	A1	9/2009

OTHER PUBLICATIONS

Novel Transfer, Mixing and Drug Delivery Systems, Mop Medimop Medical Projects Ltd. Catalog, 4 pages, Rev. 4, 2004. cited by other.

Office Action Issued Oct. 6, 2003 in U.S. Appl. No. 10/062,796.  
 Office Action Issued Feb. 22, 2005 in U.S. Appl. No. 10/062,796.  
 Office Action Issued Oct. 5, 2005 in U.S. Appl. No. 10/062,796.  
 Office Action Issued Feb. 20, 2009 in U.S. Appl. No. 11/694,297.  
 Int'l Search Report Issued Dec. 6, 2006 in Intl Application No. PCT/IL2006/000912.  
 Int'l Preliminary Report on Patentability Issued Dec. 4, 2007 in Intl Application No. PCT/IL2006/000912.  
 Int'l Search Report Issued Jul. 27, 2007 in Int'l Application No. PCT/IL2007/000343.  
 Int'l Preliminary Report on Patentability Issued Jun. 19, 2008 in Int'l Application No. PCT/IL2007/000343.  
 Int'l Search Report Issued Mar. 27, 2009 in Int'l Application No. PCT/US2008/070024.  
 Int'l Search Report Issued Oct. 17, 2005 in Int'l Application No. PCT/IL2005/000376.  
 Int'l Preliminary Report on Patentability Issued Jun. 19, 2006 in Int'l Application No. PCT/IL2005/000376.  
 Written Opinion of ISR Issued in Int'l Application No. PCT/IL2005/000376.  
 Int'l Search Report Issued Aug. 25, 2008 in Int'l Application No. PCT/IL2008/000517.  
 Written Opinion of the ISR Issued in Int'l Application No. PCT/IL08/00517.  
 Int'l Preliminary Report on Patenability Issued Oct. 20, 2009 in Int'l Application No. PCT/IL2008/000517.  
 Written Opinion of the Int'l Searching Authority Issued Oct. 27, 2008 in Int'l Application No. PCT/US2008/070024.  
 Int'l Search Report Issued Mar. 12, 2009 in Int'l Application No. PCT/IL2008/001278.  
 Office Action Issued in JP Application No. 2007-510229.  
 Office Action Issued Apr. 20, 2010 in U.S. Appl. No. 11/997,569.  
 Int'l Search Report dated Nov. 20, 2006 in Int'l Application No. PCT/IL2006/000881.  
 Office Action Issued May 27, 2010 in U.S. Appl. No. 11/559,152.  
 Decision to Grant mailed Apr. 12, 2010 in EP Application No. 08738307.1.  
 Office Action issued Jun. 1, 2010 in U.S. Appl. No. 11/568,421.  
 Int'l Search Report issued Mar. 6, 2012 in Int'l Application No. PCT/IL2011/000834; Written Opinion.  
 Office Action issued Mar. 1, 2012 in JP Application No. 2007-510229.  
 Int'l Search Report issued Mar. 7, 2012 in Int'l Application No. PCT/IL2011/000829; Written Opinion.  
 Office Action issued Mar. 13, 2012 in CA Application No. 2,563,643.  
 Office Action issued Mar. 1, 2012 in CN Application No. 2008801108283.4.  
 Office Action issued Mar. 6, 2012 in U.S. Appl. No. 12/678,928.  
 Office Action issued Nov. 12, 2010 in U.S. Appl. No. 29/334,697.  
 The MixJect transfer system, as shown in the article, "Advanced Delivery Devices," Drug Delivery Technology Jul./Aug. 2007 vol. 7 No. 7 [on-line]. [Retrieved from Internet May 14, 2010.] URL: <<http://www.drugdeiverytech-online.com/drugdelivery/200707/?pg=28pg28>>. (3 pages).  
 Publication date of Israeli Patent Application 186290 [on-line]. [Retrieved from Internet May 24, 2010]. URL: <<http://www.ilpatsearch.justice.gov.il/UI/RequestsList.aspx>>. (1 page).  
 Int'l Search Report issued Nov. 25, 2010 in Int'l Application No. PCT/IL2010/000530.  
 Office Action issued Feb. 7, 2011 in U.S. Appl. No. 12/783,194.  
 Office Action issued Dec. 20, 2010 in U.S. Appl. No. 12/063,176.  
 Office Action issued Dec. 13, 2010 in U.S. Appl. No. 12/293,122.  
 Office Action issued Nov. 29, 2010 in U.S. Appl. No. 11/568,421.  
 Office Action issued Dec. 23, 2010 in U.S. Appl. No. 29/334,696.  
 Int'l Search Report issued Feb. 3, 2011 in Int'l Application No. PCT/IL2010/000777.  
 Int'l Search Report issued on Mar. 17, 2011 in Int'l Application No. PCT/IL2010/000854.  
[http://www.knovel.com/web/portal/browse/display?\\_EXT\\_KNOVEL\\_DISPLAY\\_bookid=1023&VerticalID=0](http://www.knovel.com/web/portal/browse/display?_EXT_KNOVEL_DISPLAY_bookid=1023&VerticalID=0) [retrieved on Feb. 9, 2011].  
 Int'l Search Report issued on Mar. 17, 2011 in Int'l Application No. PCT/IL2010/00915.

# US D669,980 S

Page 5

---

Office Action issued Jul. 11, 2011 in U.S. Appl. No. 12/293,122.  
Int'l Search Report issued Jul. 12, 2011 in Int'l Application No. PCT/IL2011/000187.  
Int'l Search Report issued Jul. 12, 2011 in Int'l Application No. PCT/IL2011/000186.  
Office Action issued Aug. 3, 2011 in JP Application No. 2008-525719.  
Int'l Search Report issued Oct. 7, 2011 in Int'l Application No. PCT/IL2011/000511.  
Smart Site.RTM. Alaris Medical Systems Product Brochure, 4 pages, Issue 1, Oct. 1999. cited by other.  
Smart Site.RTM. Needle-Free Systems, Alaris Medical Systems Webpage, 4 pages, Feb. 2006. cited by other.  
Photographs of Alaris Medical Systems SmartSite.RTM. device, 5 pages, 2002. cited by other.  
Non-Vented Vial Access Pin with ULTRASITE.RTM. Valve, B. Braun Medical, Inc. website and product description with photographs thereof, 6 pages, Feb. 2006. cited by other.

<http://www.westpharma.com/en/products/Pages/Mixject.aspx>.  
<http://www.westpharma.com/SiteCollectionDocuments/Recon/mixject%20product%20sheet.pdf>; Mixject product information sheet pp. 1.  
U.S. Appl. No. 13/522,410 by Lev, filed Jul. 16, 2012.  
U.S. Appl. No. 13/576,461 by Lev, filed Aug. 1, 2012.  
Office Action issued Jun. 15, 2012 in U.S. Appl. No. 29/413,170.  
Office Action issued Jun. 21, 2012 in U.S. Appl. No. 12/596,167.  
Office Action Issued May 12, 2011 in U.S. Appl. No. 12/063,176.  
U.S. Appl. No. 13/498,378 by Lev, filed Mar. 27, 2012.  
Int'l Search Report issued Mar. 17, 2011 in Int'l Application No. PCT/IL2010/000854; Written Opinion.  
Int'l Search Report issued Mar. 17, 2011 in Int'l Application No. PCT/IL2010/000915; Written Opinion.  
U.S. Appl. No. 13/505,790 by Lev, filed May 3, 2012.  
U.S. Appl. No. 13/505,881 by Lev, filed May 3, 2012.

\* cited by examiner

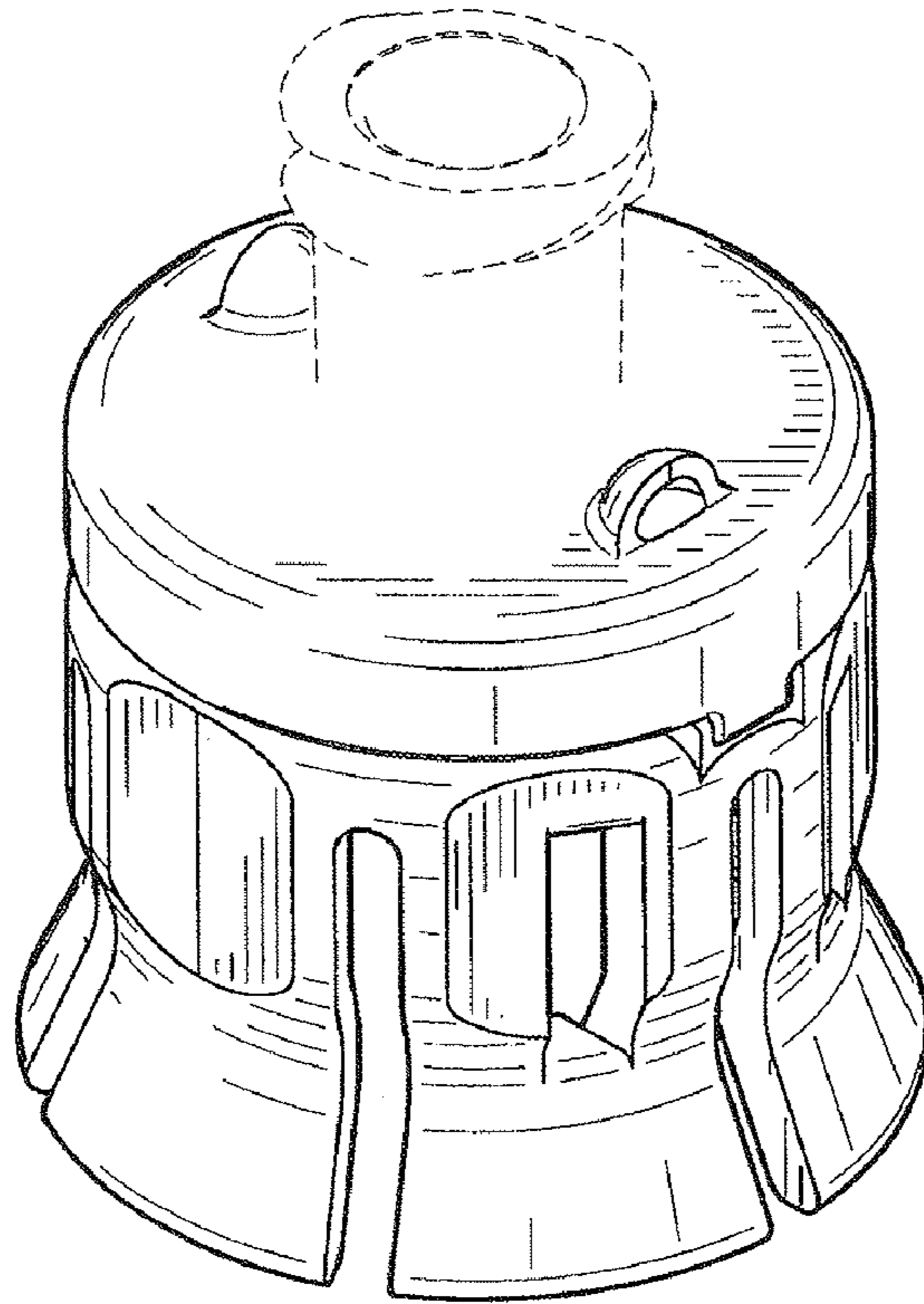


FIG. 1

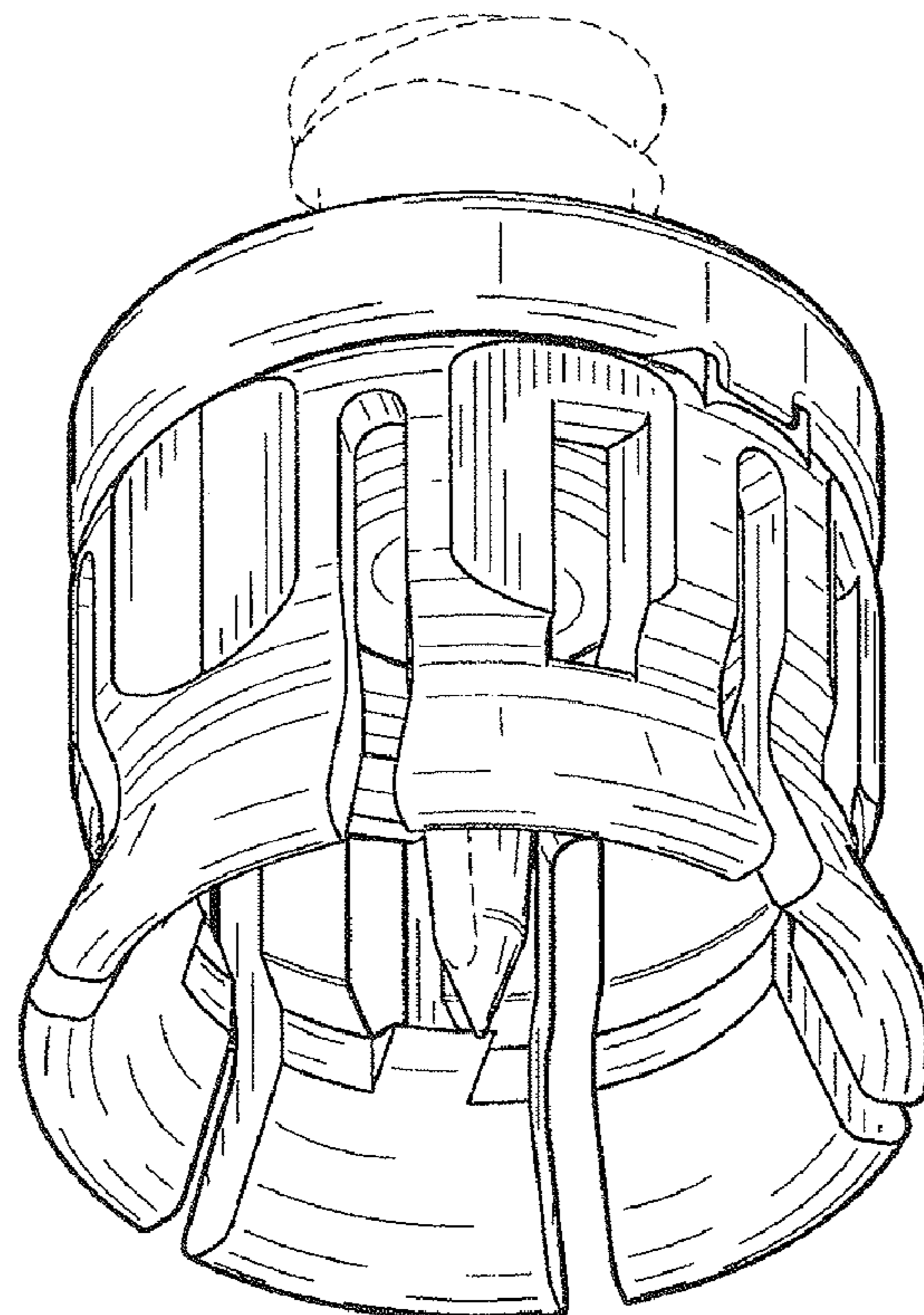


FIG. 2

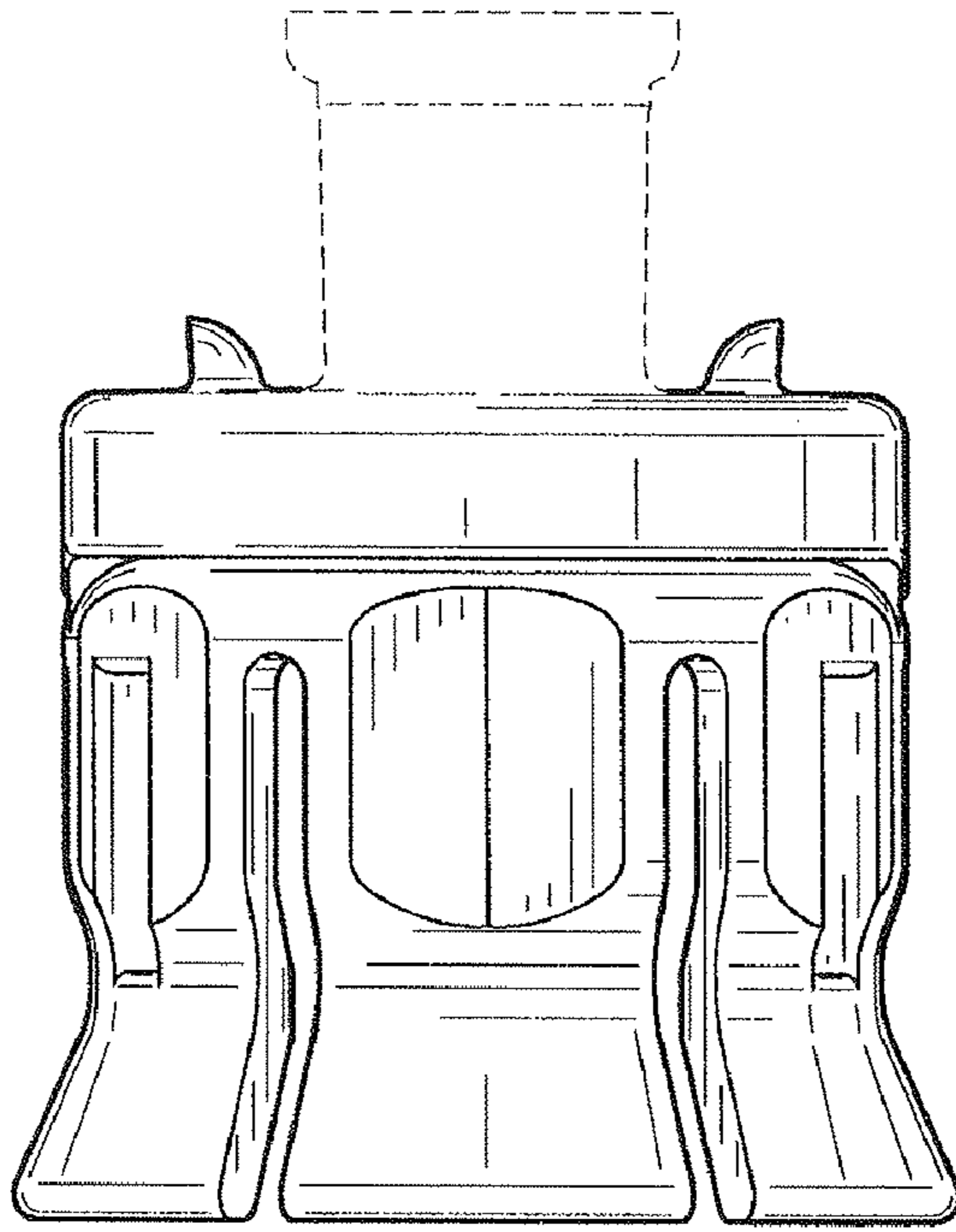


FIG.3

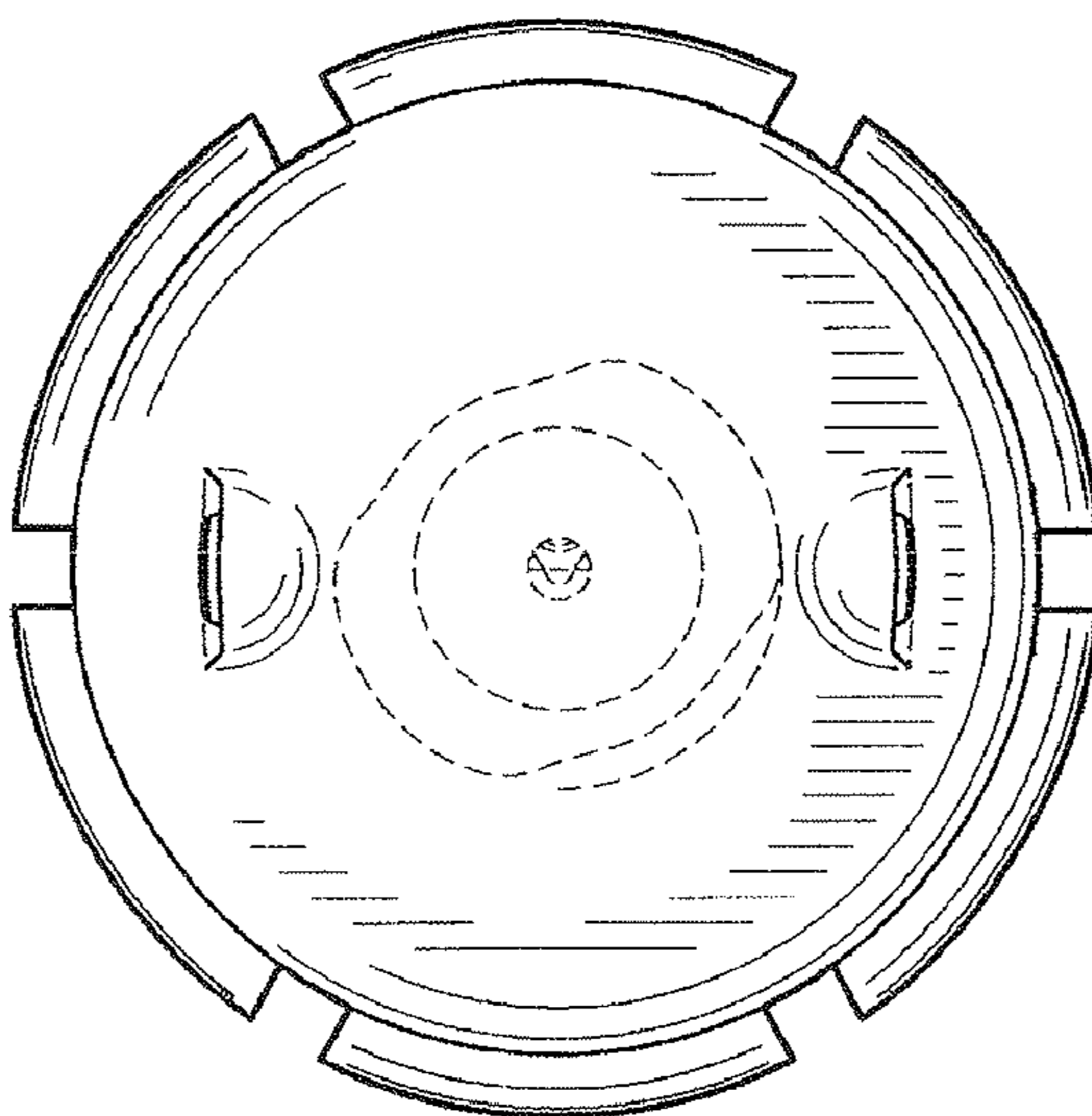


FIG.4

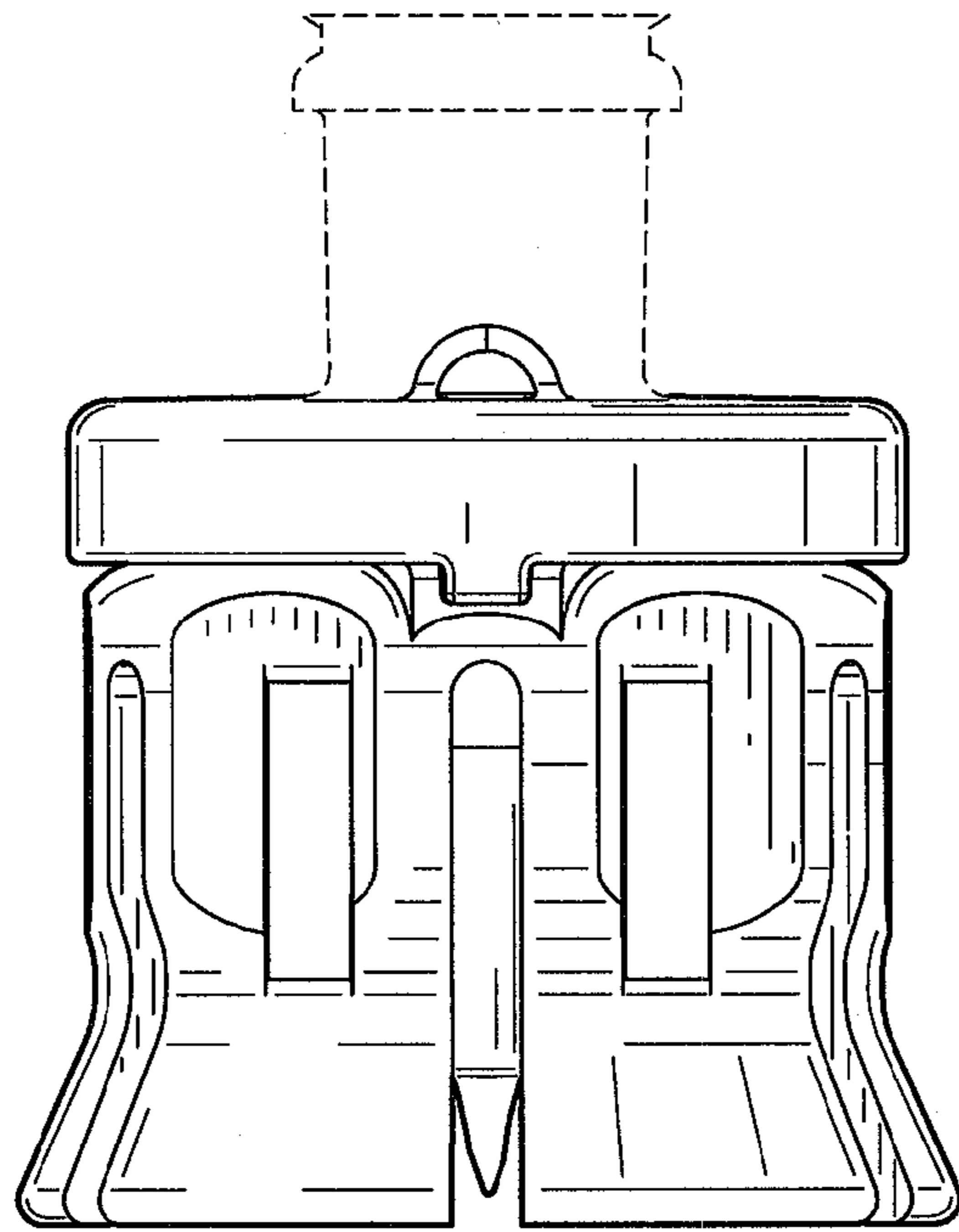


FIG. 5

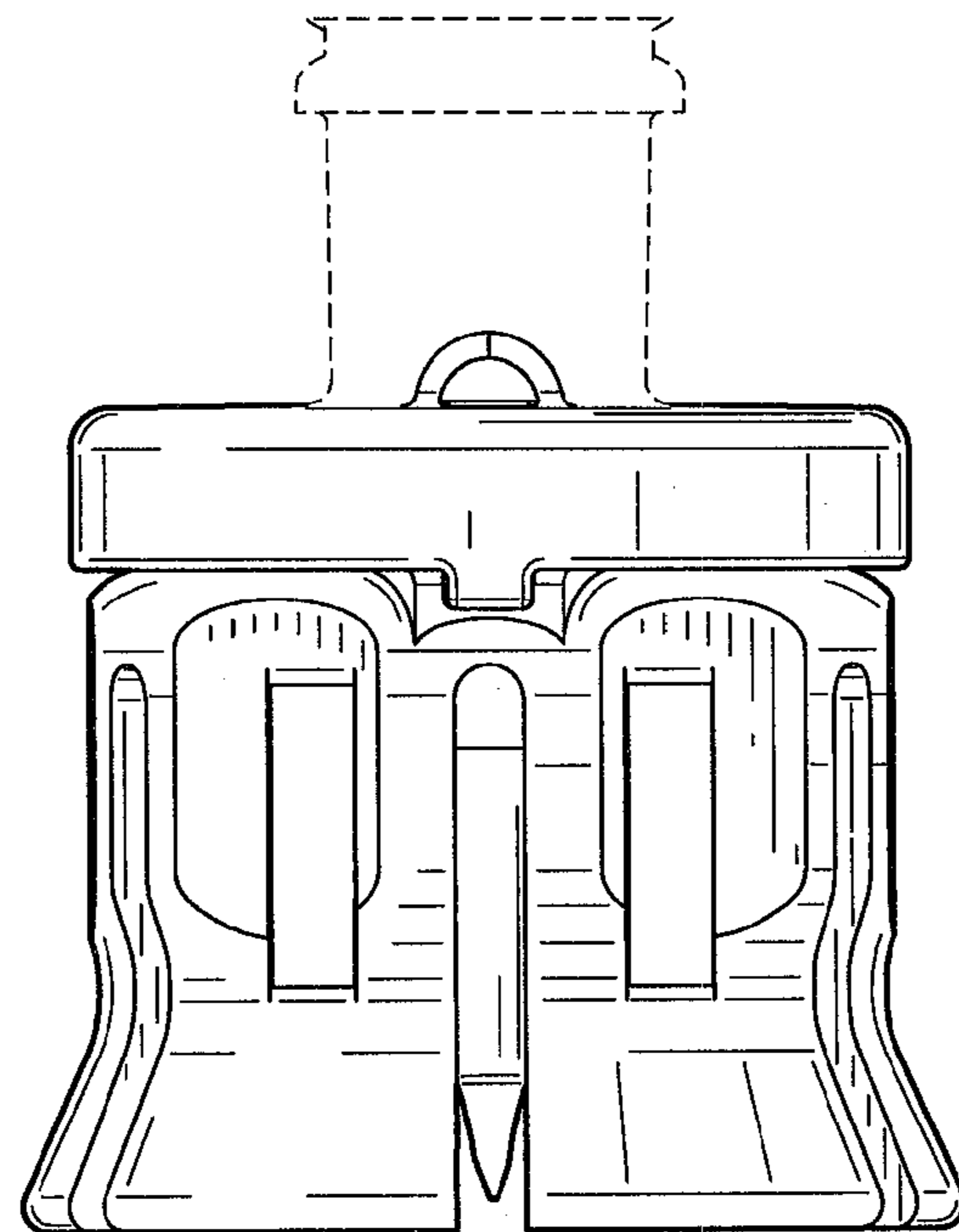


FIG. 6



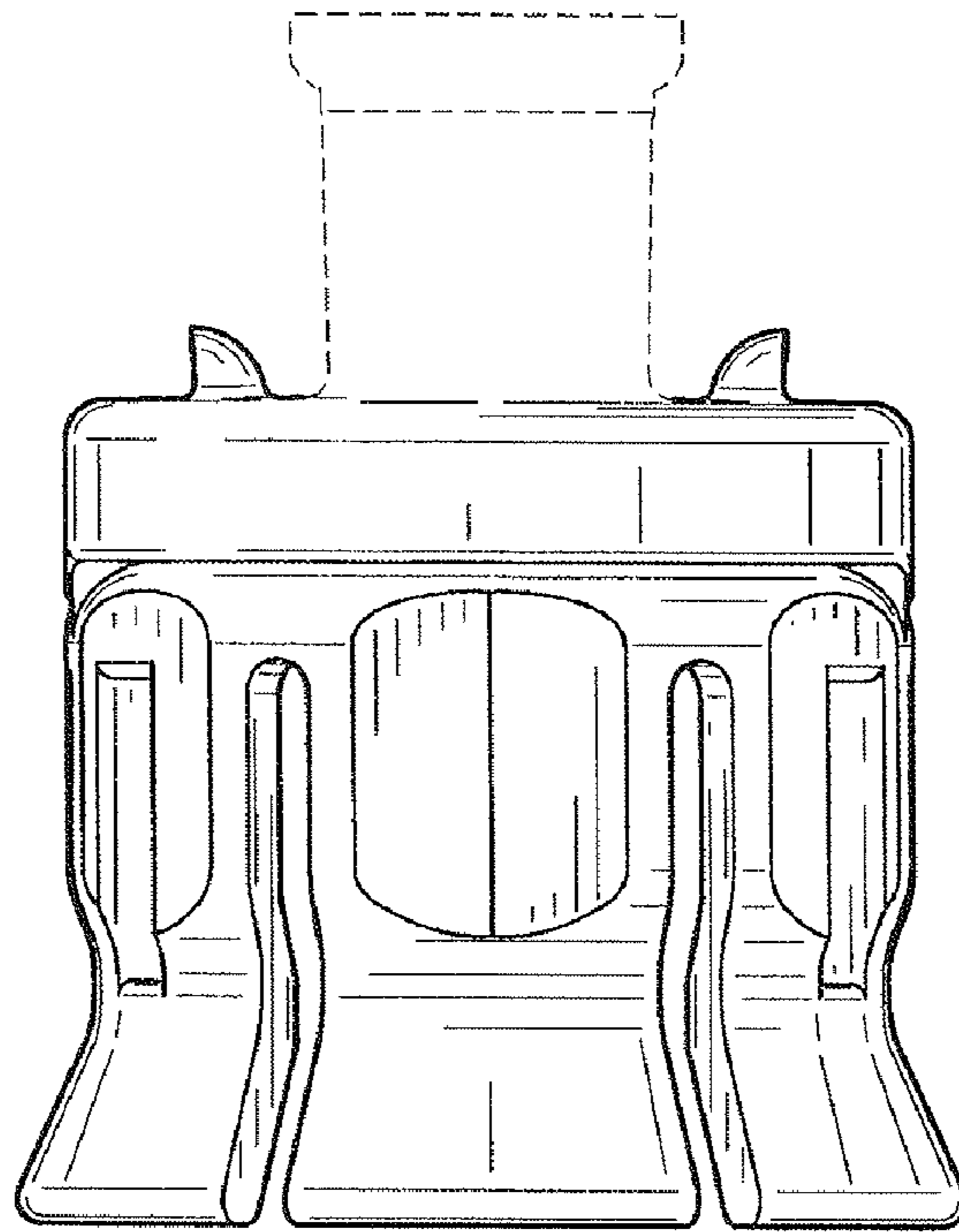


FIG. 7

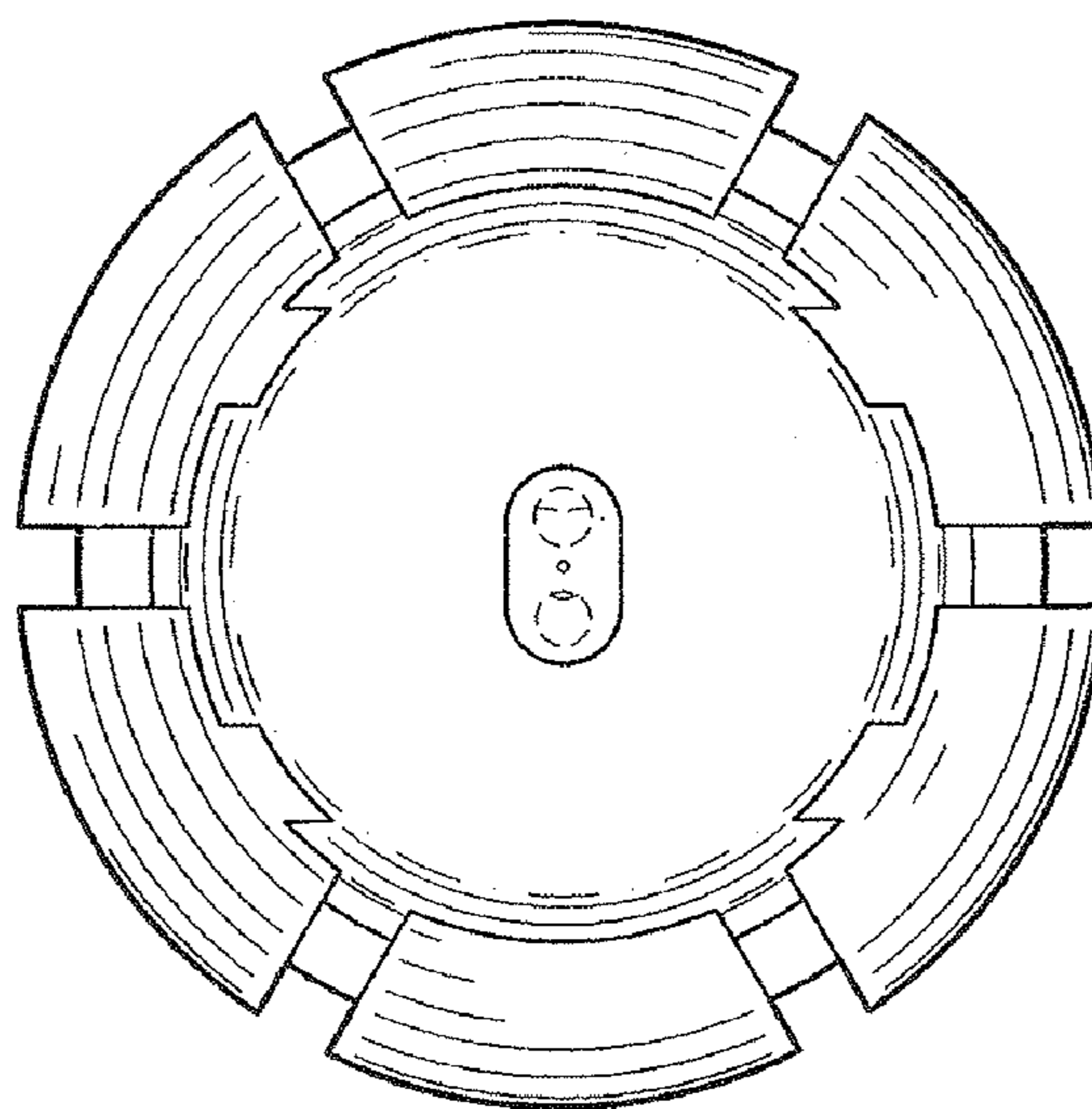


FIG. 8