



US00D669979S

(12) **United States Design Patent**
Adams

(10) **Patent No.:** **US D669,979 S**

(45) **Date of Patent:** **** Oct. 30, 2012**

(54) **EMESIS BASIN**

(75) Inventor: **Chuck Adams**, Naperville, IL (US)

(73) Assignee: **Medical Action Industries, Inc.**,
Brentwood, NY (US)

(**) Term: **14 Years**

(21) Appl. No.: **29/367,924**

(22) Filed: **Aug. 16, 2010**

(51) **LOC (9) Cl.** **24-02**

(52) **U.S. Cl.** **D24/123**

(58) **Field of Classification Search** D24/121-123,
D24/117, 224, 108; D23/276, 274, 295,
D23/302, 309, 200; 4/450-460, 144.1-144.4,
4/DIG. 5; 600/573, 574; 604/329, 317-325,
604/334; D27/125; D7/566

See application file for complete search history.

(56) **References Cited**

U.S. PATENT DOCUMENTS

D44,448 S *	8/1913	Meinecke	D24/123
D46,262 S *	8/1914	Meinecke	D24/123
D216,058 S *	11/1969	Painter et al.	D24/123
D248,408 S *	7/1978	Mills	D24/123
D249,162 S *	8/1978	Mills	D24/123
D340,768 S *	10/1993	Jabour	D24/122
D347,058 S *	5/1994	Valentine	D24/123
D441,075 S *	4/2001	Nara	D24/122

D557,413 S *	12/2007	Buermann	D24/123
D571,460 S *	6/2008	Korjack	D24/123
D573,412 S *	7/2008	Ablo	D7/566
D605,754 S *	12/2009	Nelson et al.	D24/121
D627,062 S *	11/2010	Tanguay	D24/123

OTHER PUBLICATIONS

Medegen Medical Products Catalog, 2003, p. 6.
Co-Pending U.S. Appl. No. 29/361,138, filed May 6, 2010.

* cited by examiner

Primary Examiner — David Muller

(74) *Attorney, Agent, or Firm* — Vinson & Elkins L.L.P.

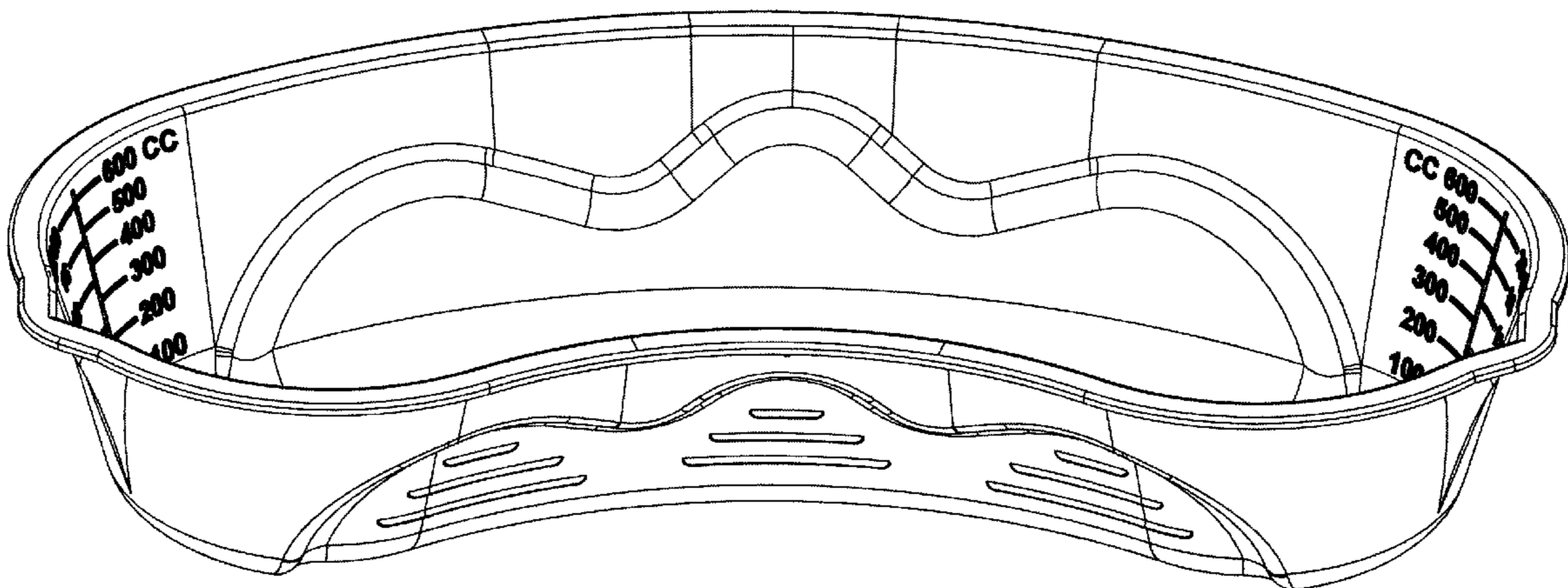
(57) **CLAIM**

The ornamental design for an emesis basin, as shown and described.

DESCRIPTION

FIG. 1 is a center front perspective view of an emesis basin of the inventive design;
FIG. 2 is a right front perspective view thereof;
FIG. 3 is a left rear perspective view thereof;
FIG. 4 is a left front underside perspective view thereof.
FIG. 5 is a right rear underside perspective view thereof.
FIG. 6 is a front elevational view thereof;
FIG. 7 is a rear elevational view thereof;
FIG. 8 is a right side elevational view thereof;
FIG. 9 is a left side elevational view thereof;
FIG. 10 is a top plan view thereof; and,
FIG. 11 is a bottom plan view thereof.

1 Claim, 11 Drawing Sheets



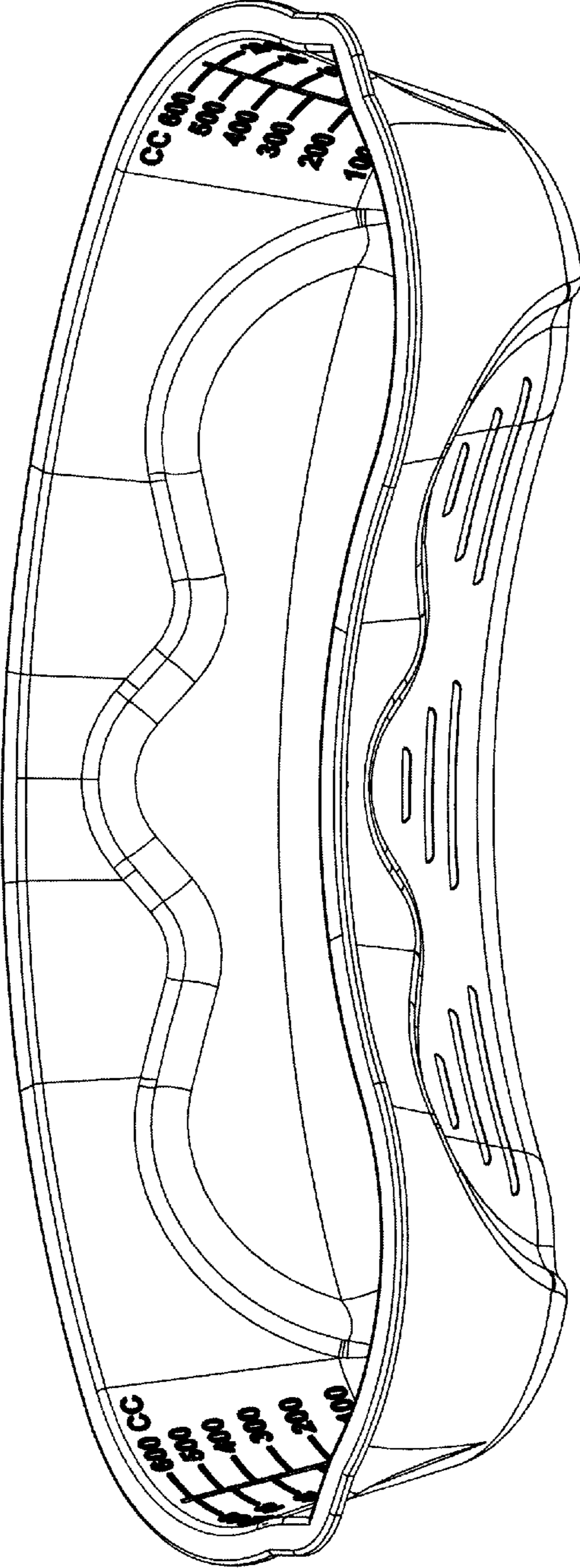


FIG. 1

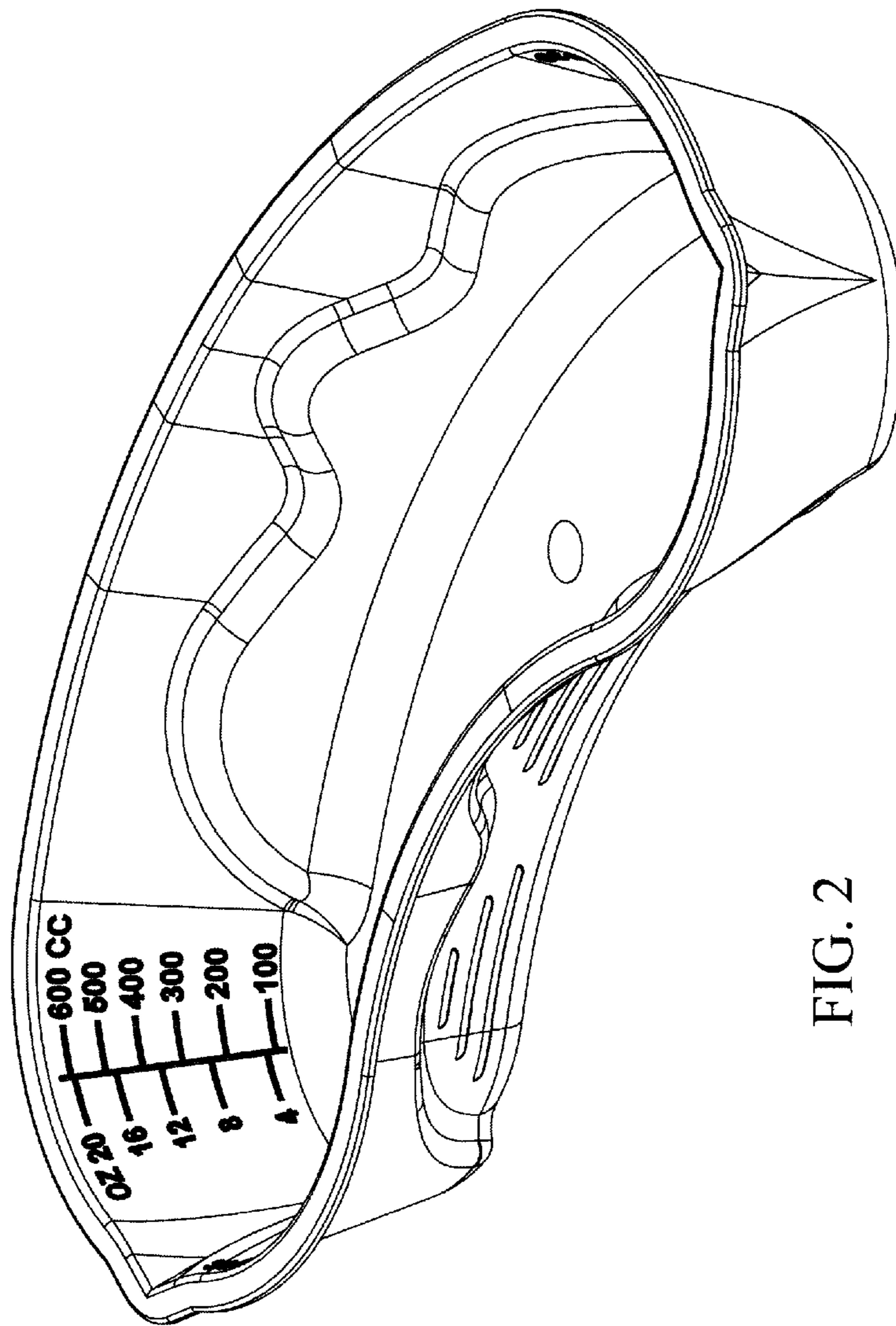


FIG. 2

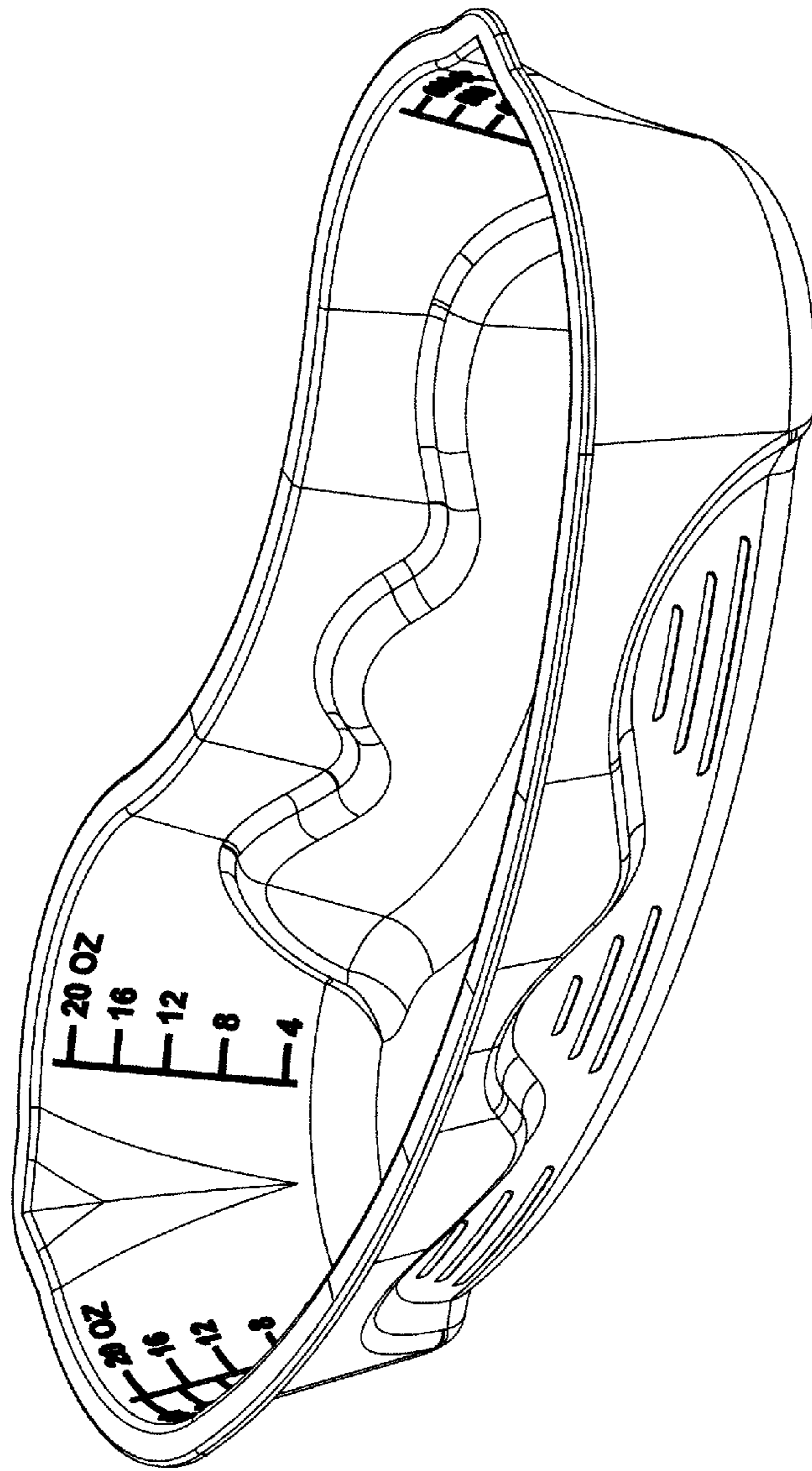


FIG. 3

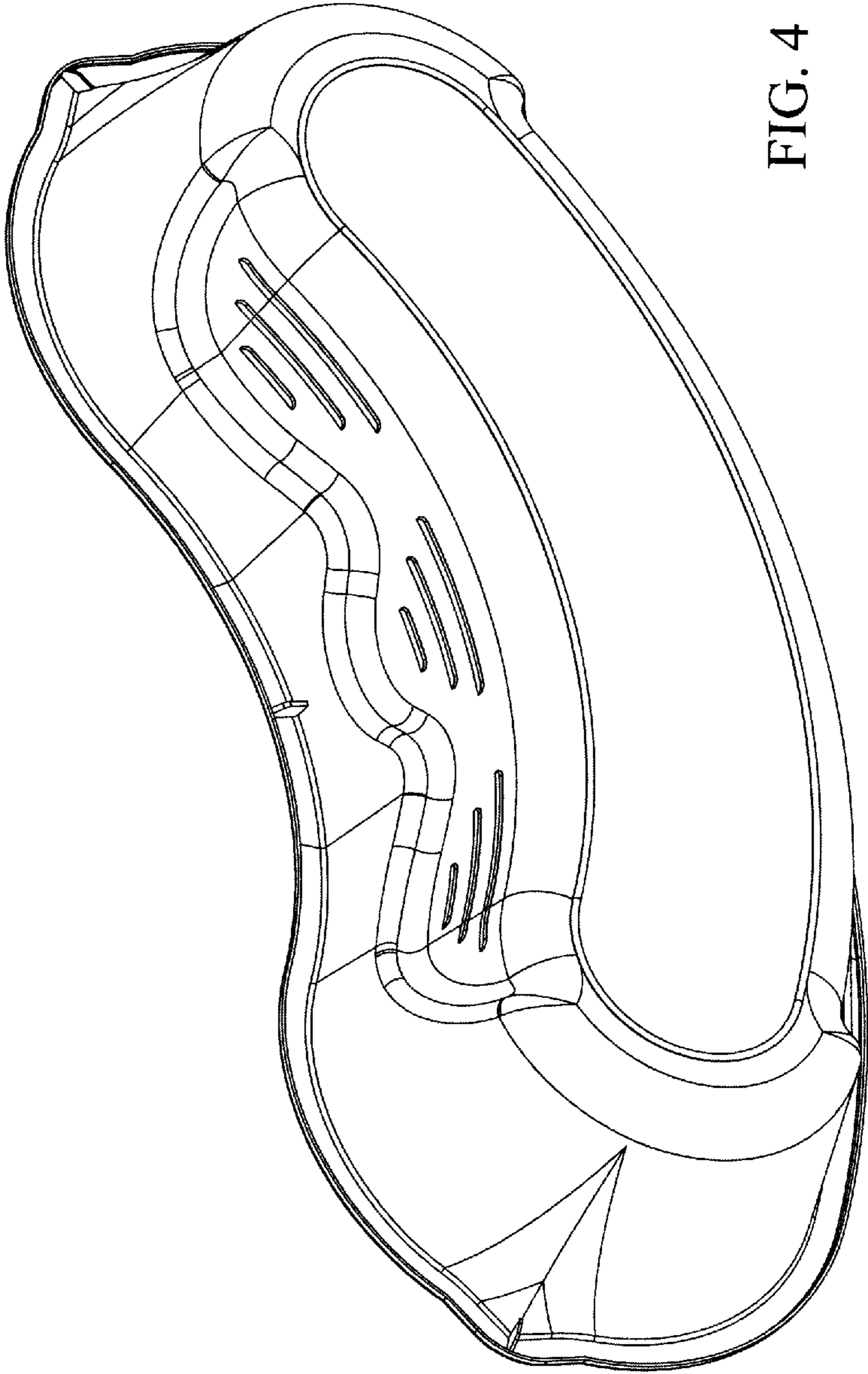


FIG. 4

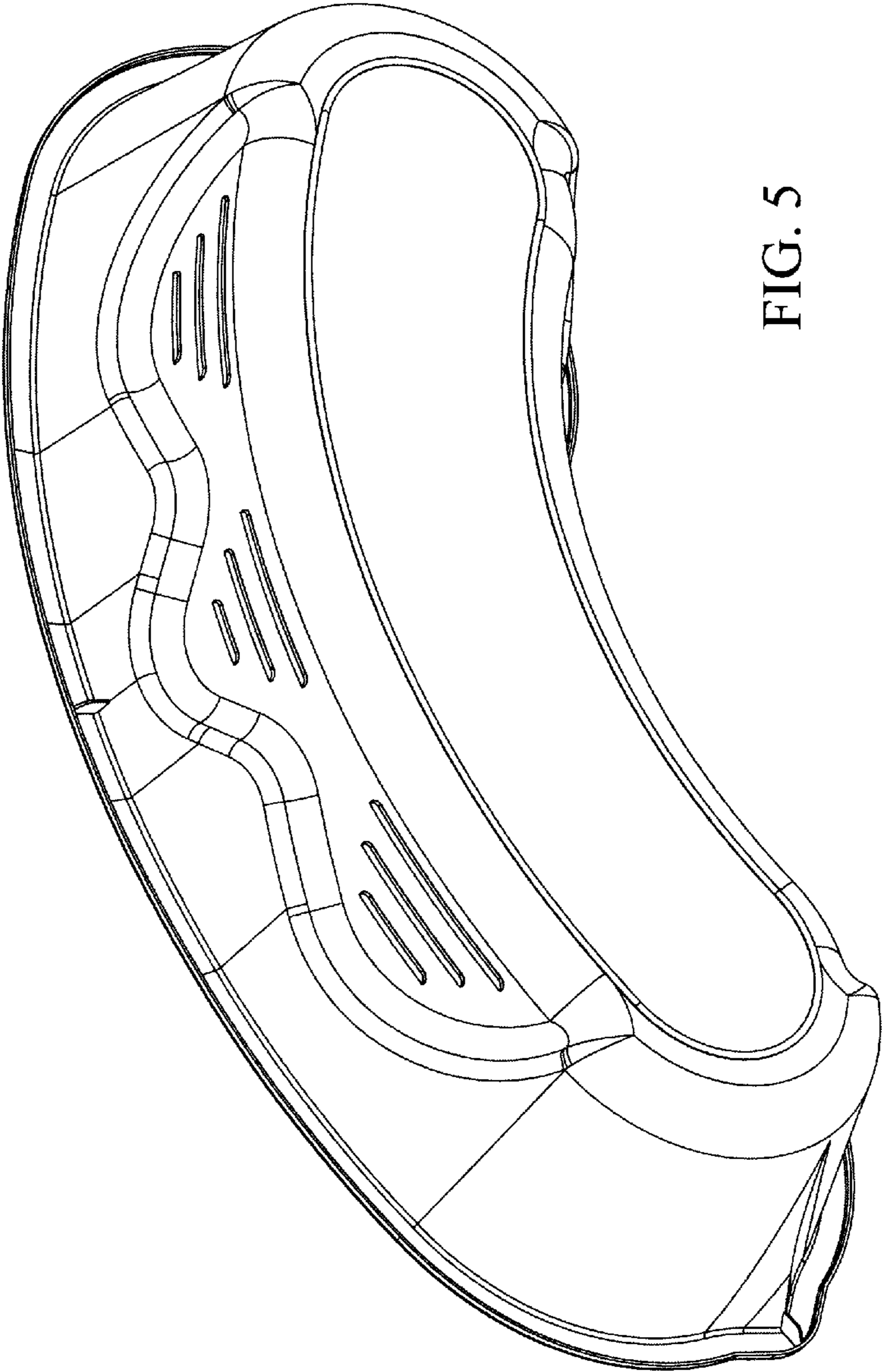


FIG. 5

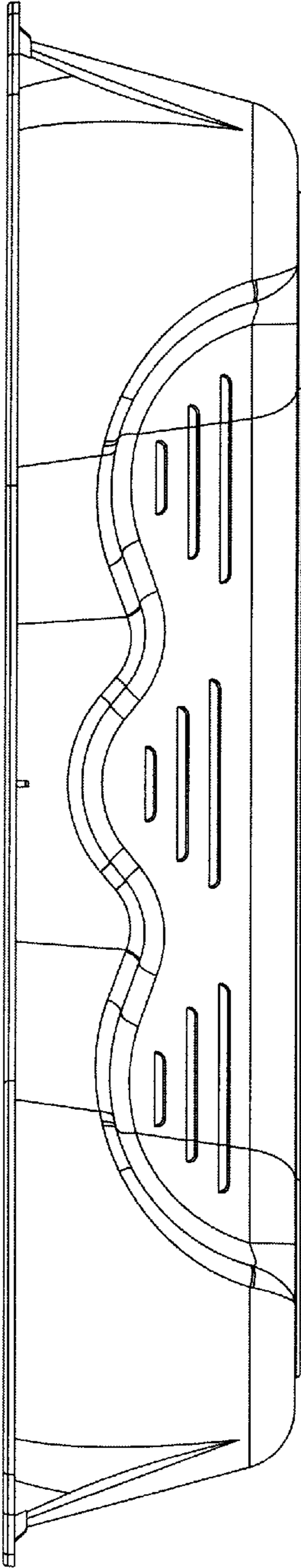


FIG. 6

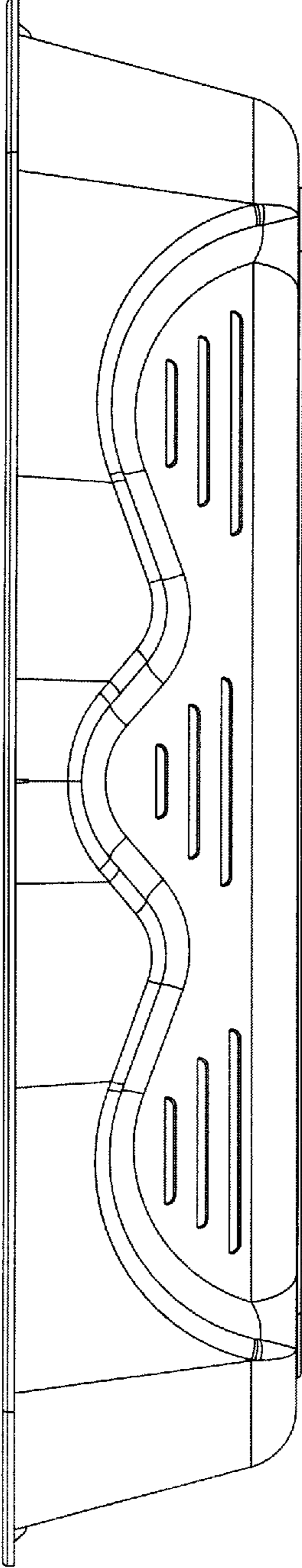


FIG. 7

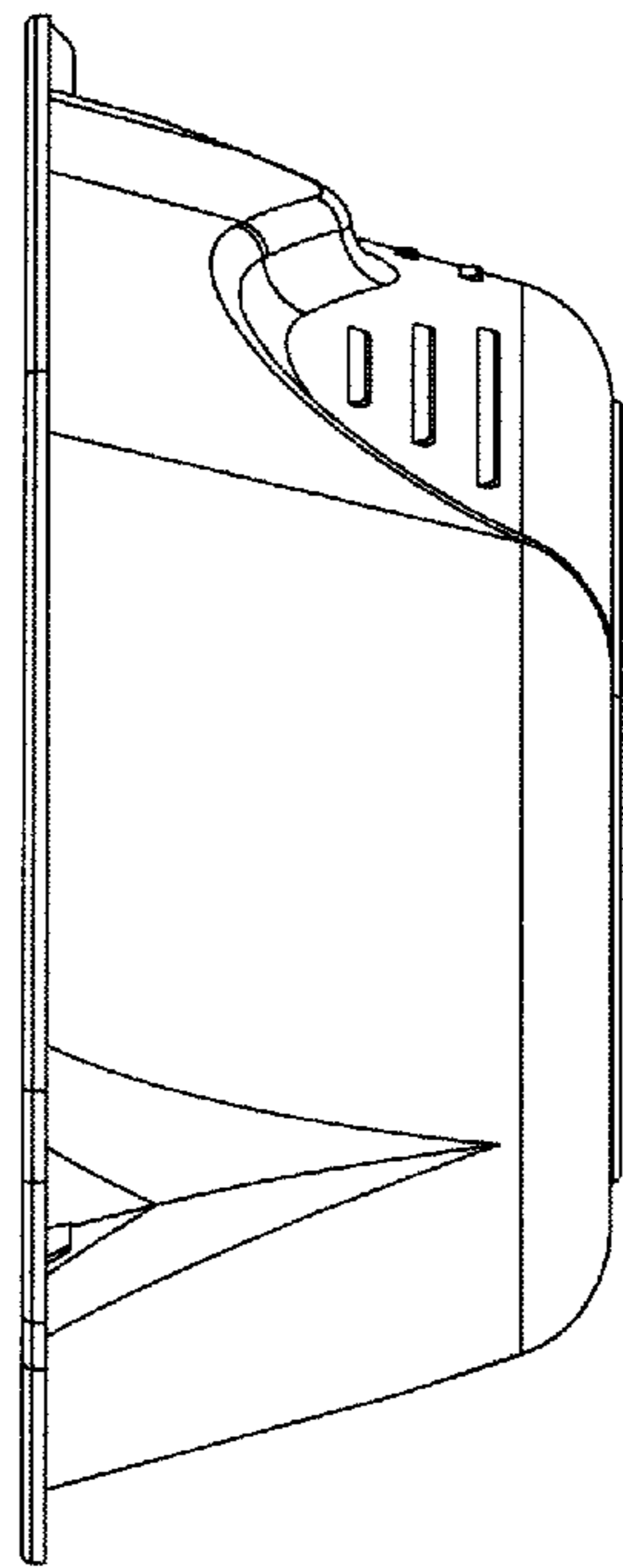


FIG. 8

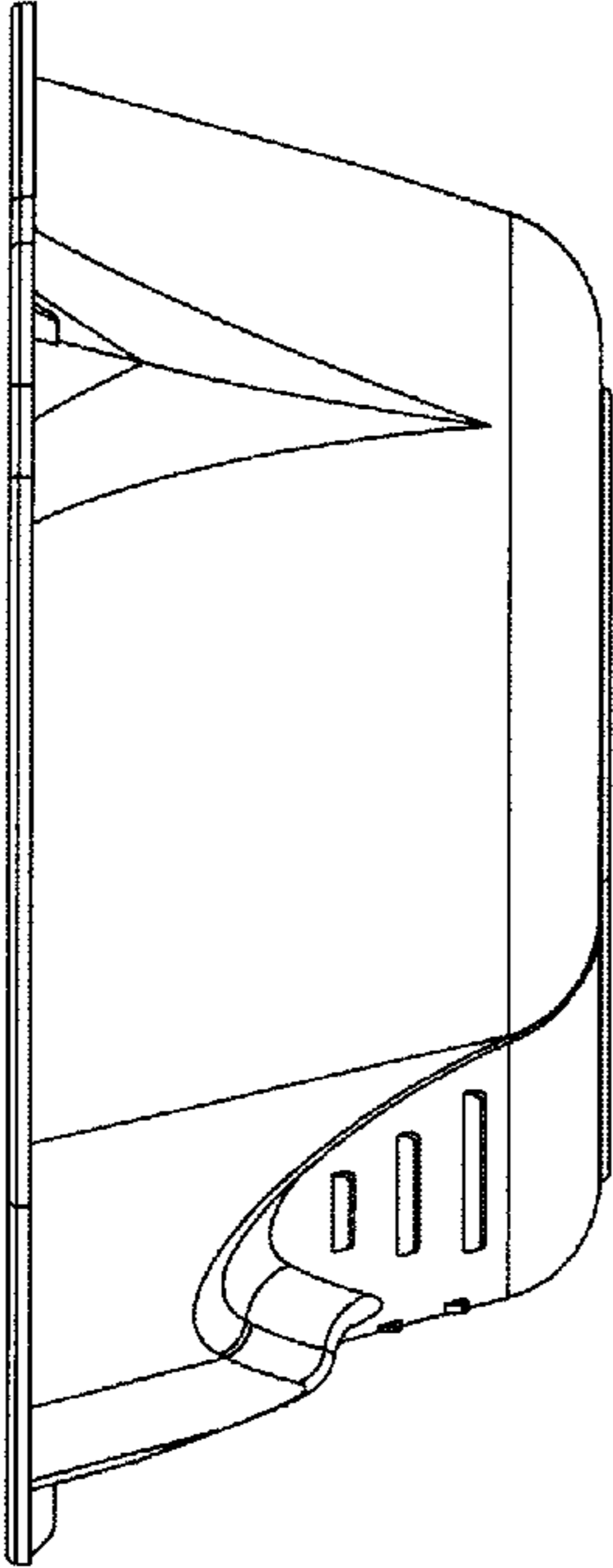


FIG. 9

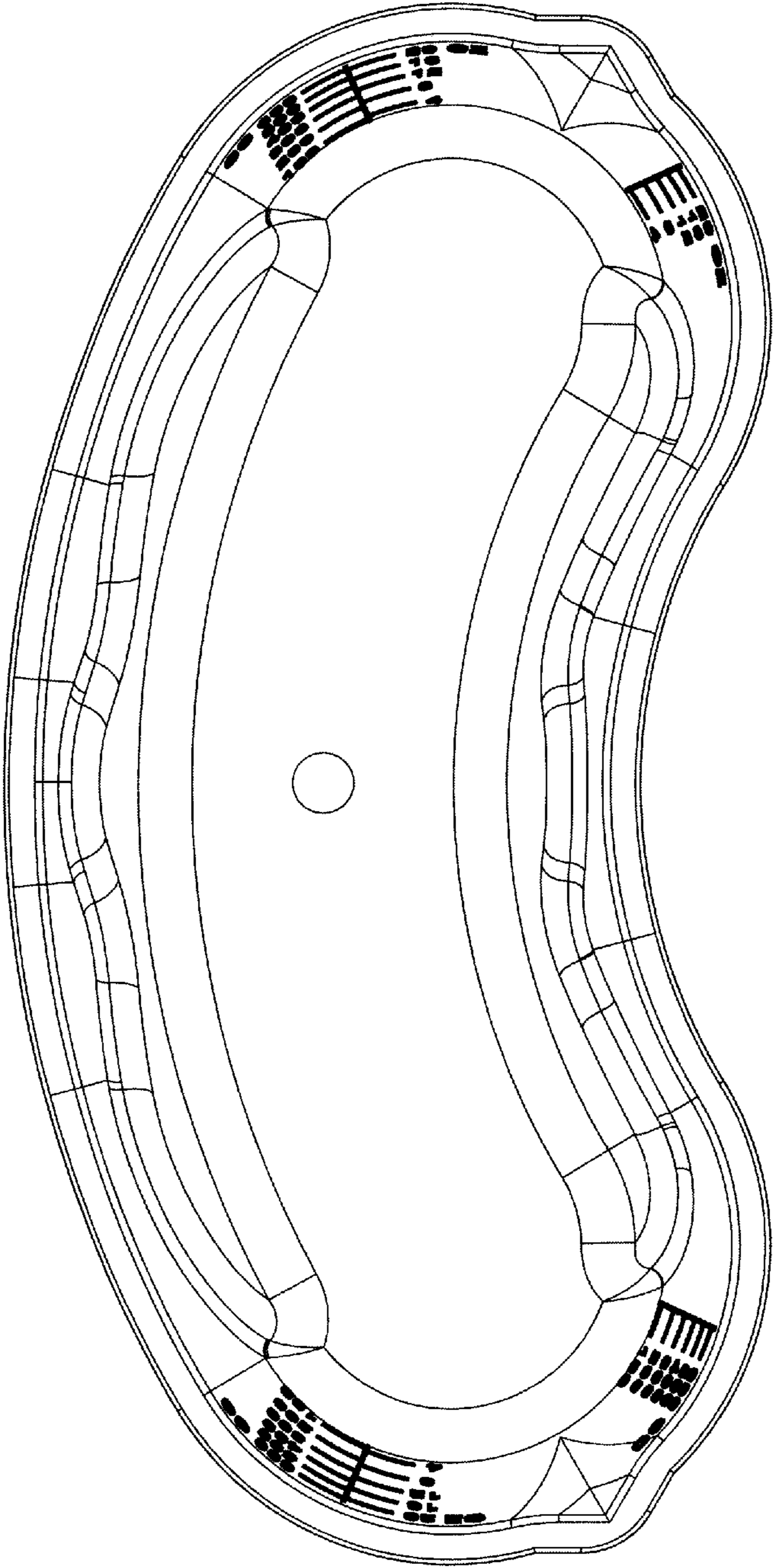


FIG. 10

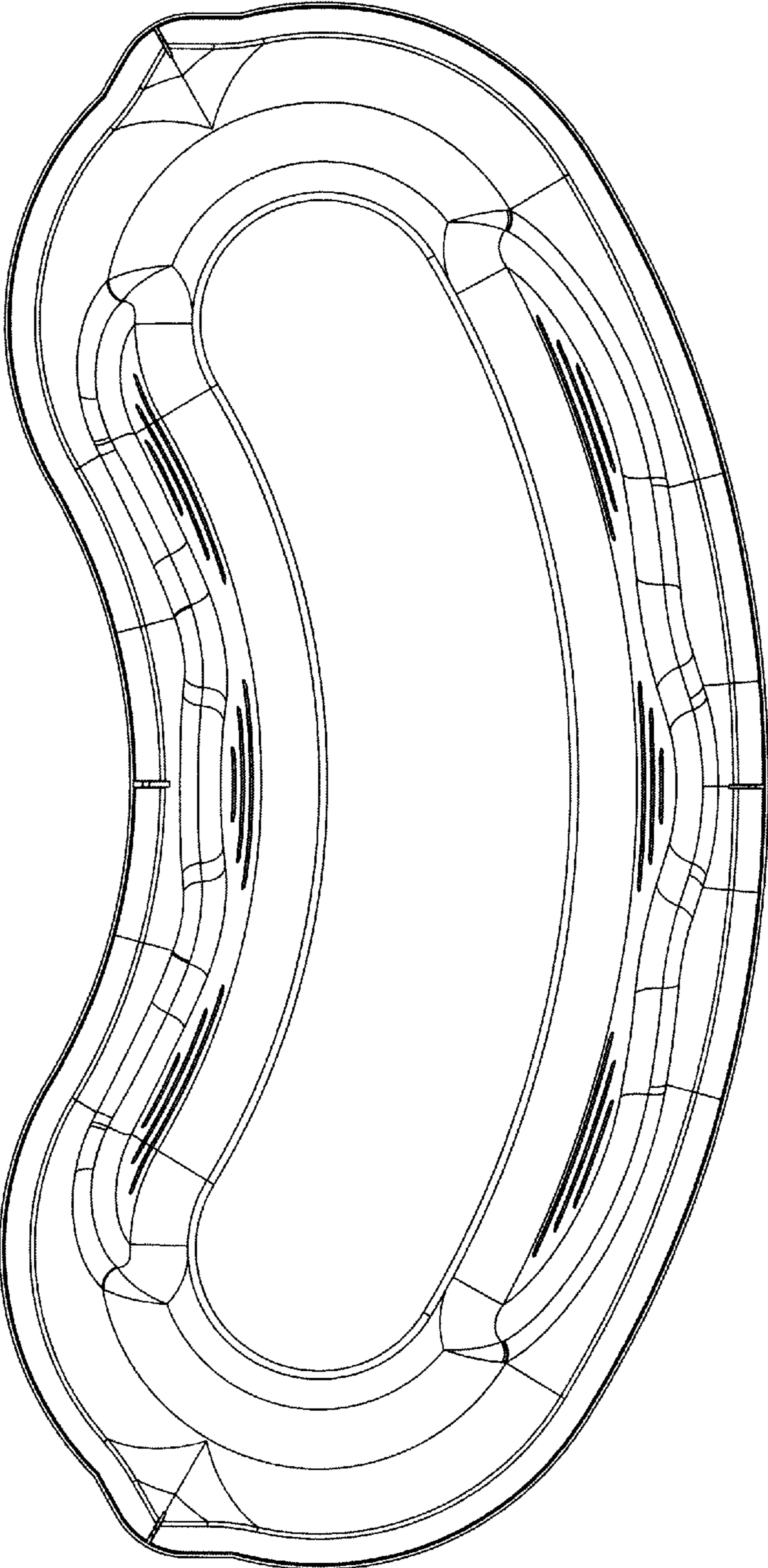


FIG. 11