



US00D669976S

(12) **United States Design Patent**  
**Hsu**

(10) **Patent No.:** **US D669,976 S**  
(45) **Date of Patent:** **\*\* Oct. 30, 2012**

- (54) **CLIP-ON FAN**
- (76) Inventor: **Ching-Feng Hsu**, New Taipei (TW)
- (\*\*) Term: **14 Years**
- (21) Appl. No.: **29/397,697**
- (22) Filed: **Jul. 20, 2011**
- (51) **LOC (9) Cl.** ..... **23-04**
- (52) **U.S. Cl.** ..... **D23/382**
- (58) **Field of Classification Search** ..... D23/328,  
D23/332, 333, 335-337, 370-386, 397, 411-414;  
248/676; 310/58, 59, 60 A, 60 R, 61-65;  
392/365-369, 373, 374, 382, 383; 416/63,  
416/179, 185, 186 R, 187, 189, 235, 244 R,  
416/246, 247 R

See application file for complete search history.

(56) **References Cited**

**U.S. PATENT DOCUMENTS**

D387,150 S	*	12/1997	Coonahan et al.	.....	D23/381
D387,860 S	*	12/1997	Chen	.....	D23/382
D392,383 S	*	3/1998	Phillips et al.	.....	D23/378
D413,660 S	*	9/1999	Lee	.....	D23/332
D418,913 S	*	1/2000	Thakur	.....	D23/378
D441,444 S	*	5/2001	Shapiro	.....	D23/382
D461,552 S	*	8/2002	Wright	.....	D23/379

D486,902 S	*	2/2004	Melwani	.....	D23/370
D510,617 S	*	10/2005	Andrews et al.	.....	D23/328
D513,317 S	*	12/2005	Melwani	.....	D23/379
D529,167 S	*	9/2006	Radtke et al.	.....	D23/380
D601,239 S	*	9/2009	Hsu	.....	D23/370
2006/0098961 A1	*	5/2006	Seutter et al.	.....	392/383

\* cited by examiner

*Primary Examiner* — Garth Rademaker

(74) *Attorney, Agent, or Firm* — The Weintraub Group, P.L.C.

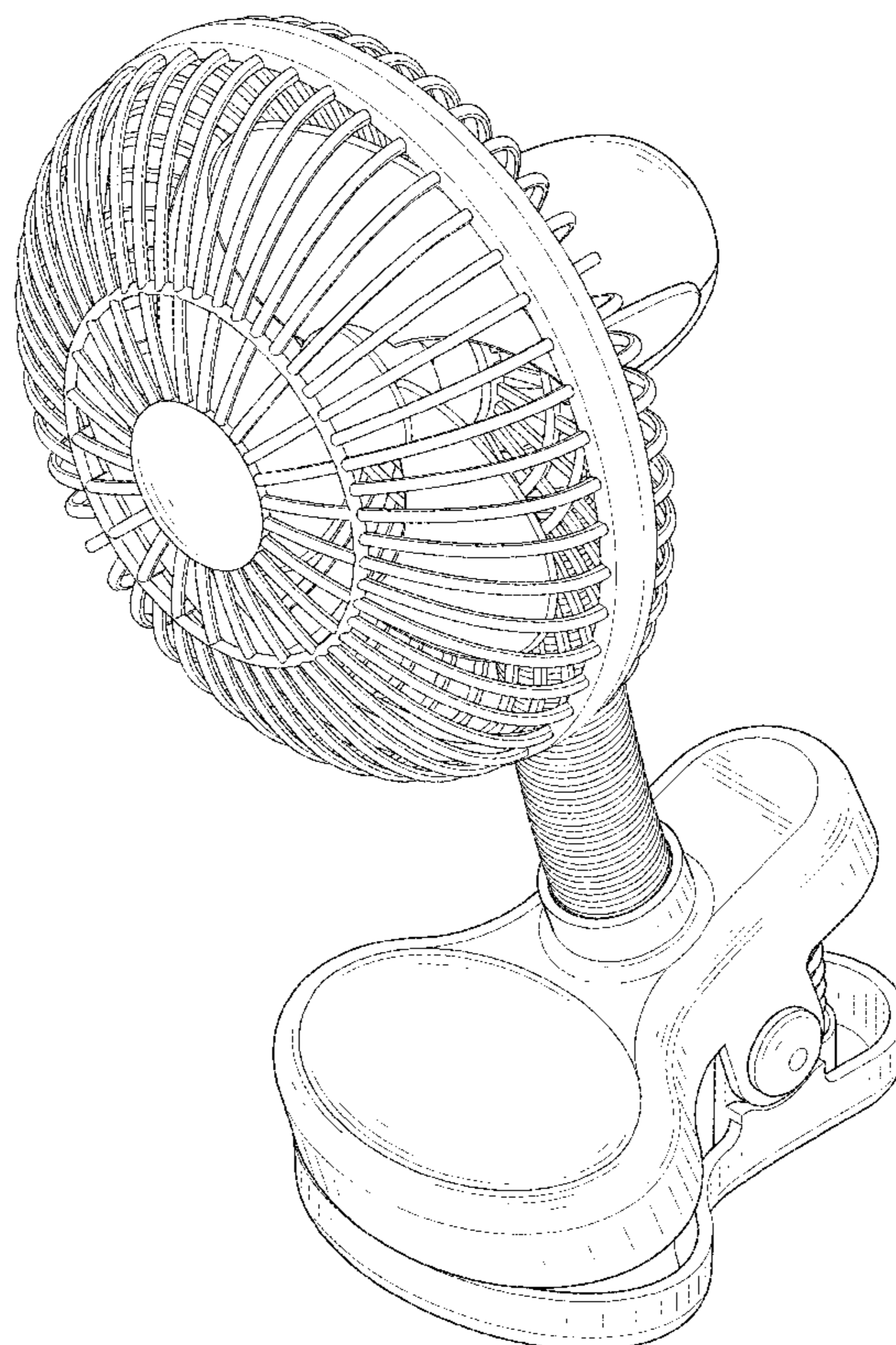
(57) **CLAIM**

The ornamental design for a clip-on fan, as shown and described.

**DESCRIPTION**

FIG. 1 is a front perspective view of a clip-on fan showing my new design;  
 FIG. 2 is a front view thereof;  
 FIG. 3 is a rear view thereof;  
 FIG. 4 is a left view thereof;  
 FIG. 5 is a right view thereof;  
 FIG. 6 is a top view thereof;  
 FIG. 7 is a bottom view thereof; and,  
 FIG. 8 is a rear perspective view thereof.

**1 Claim, 8 Drawing Sheets**



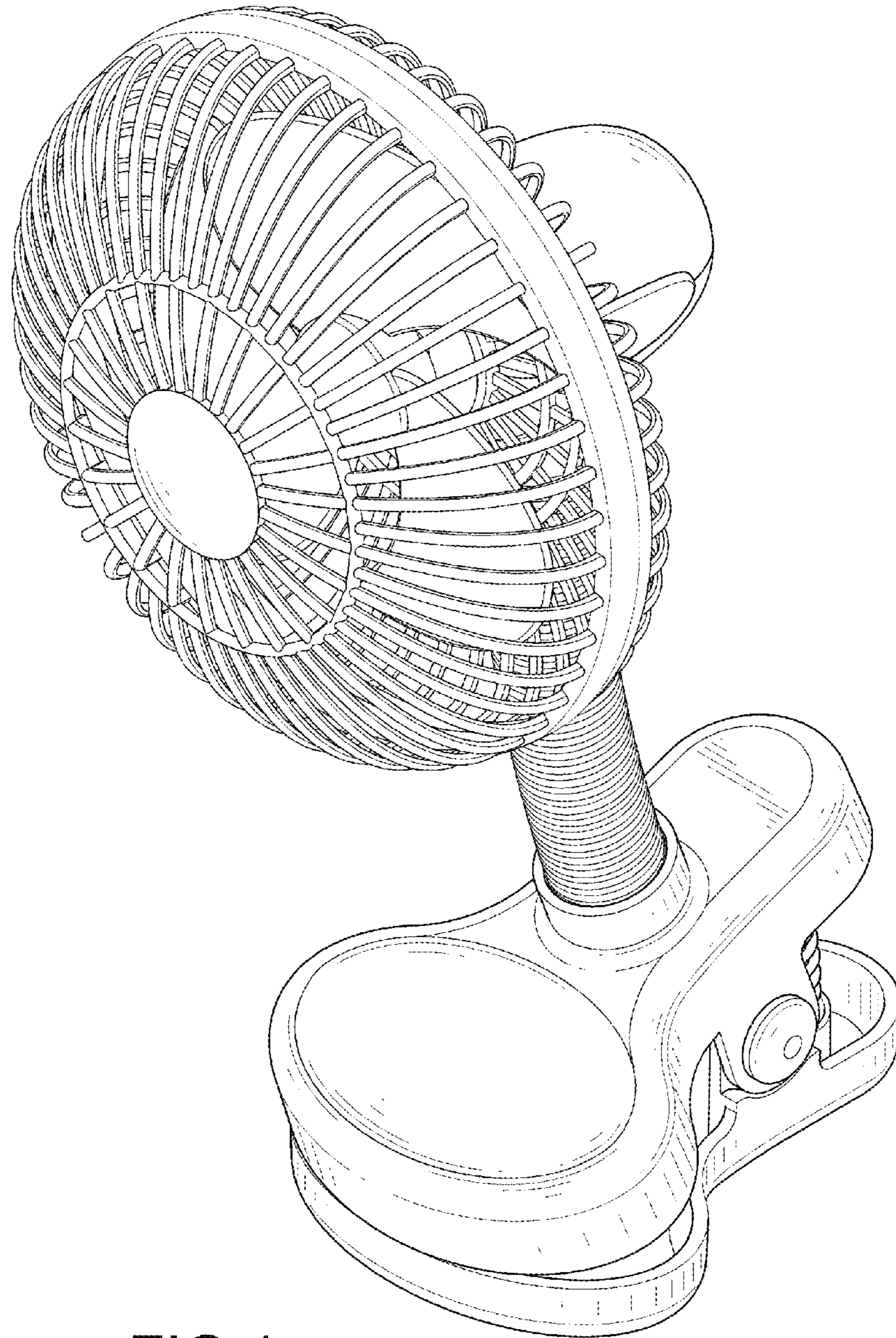


FIG.1



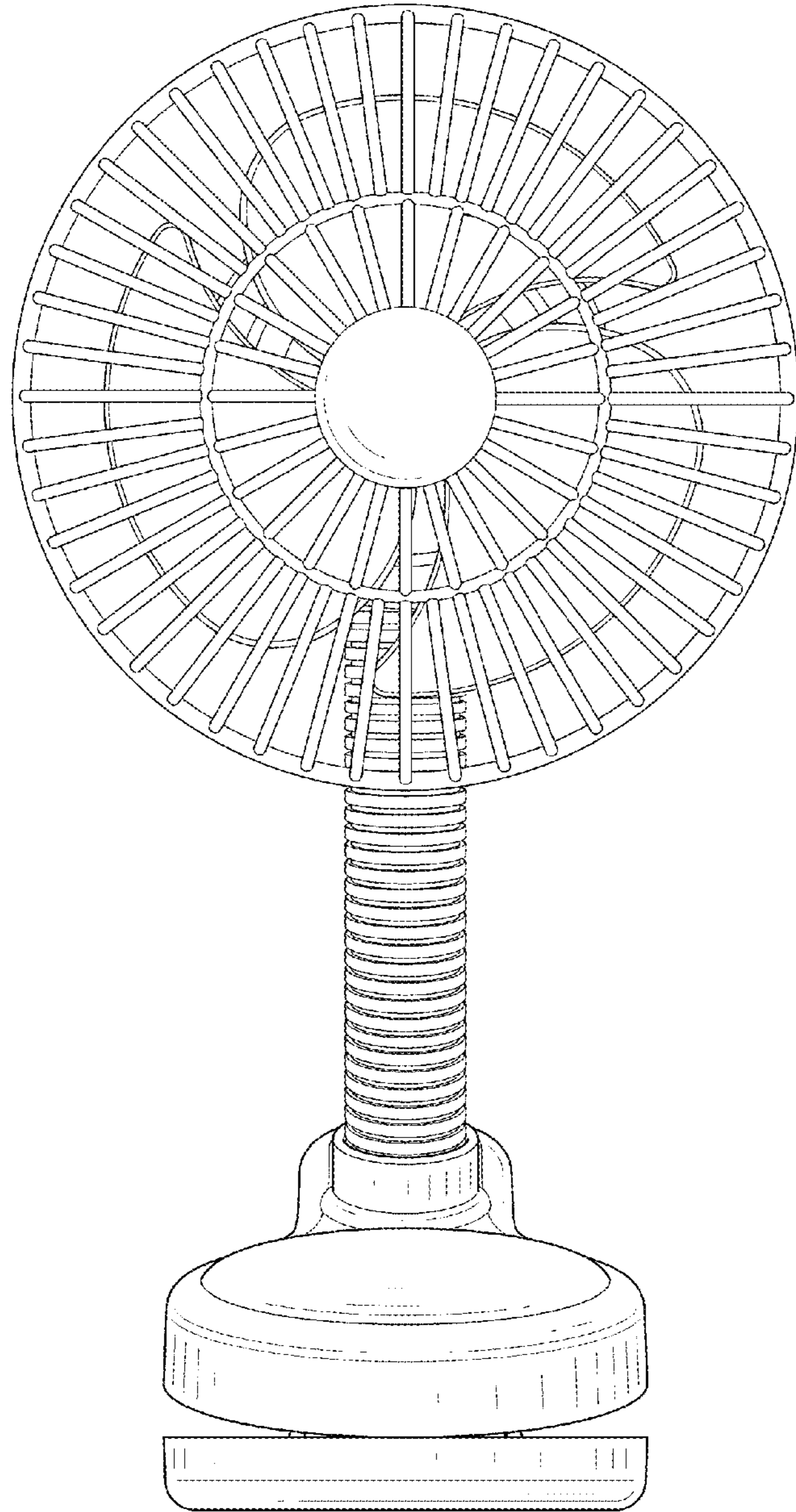


FIG.2

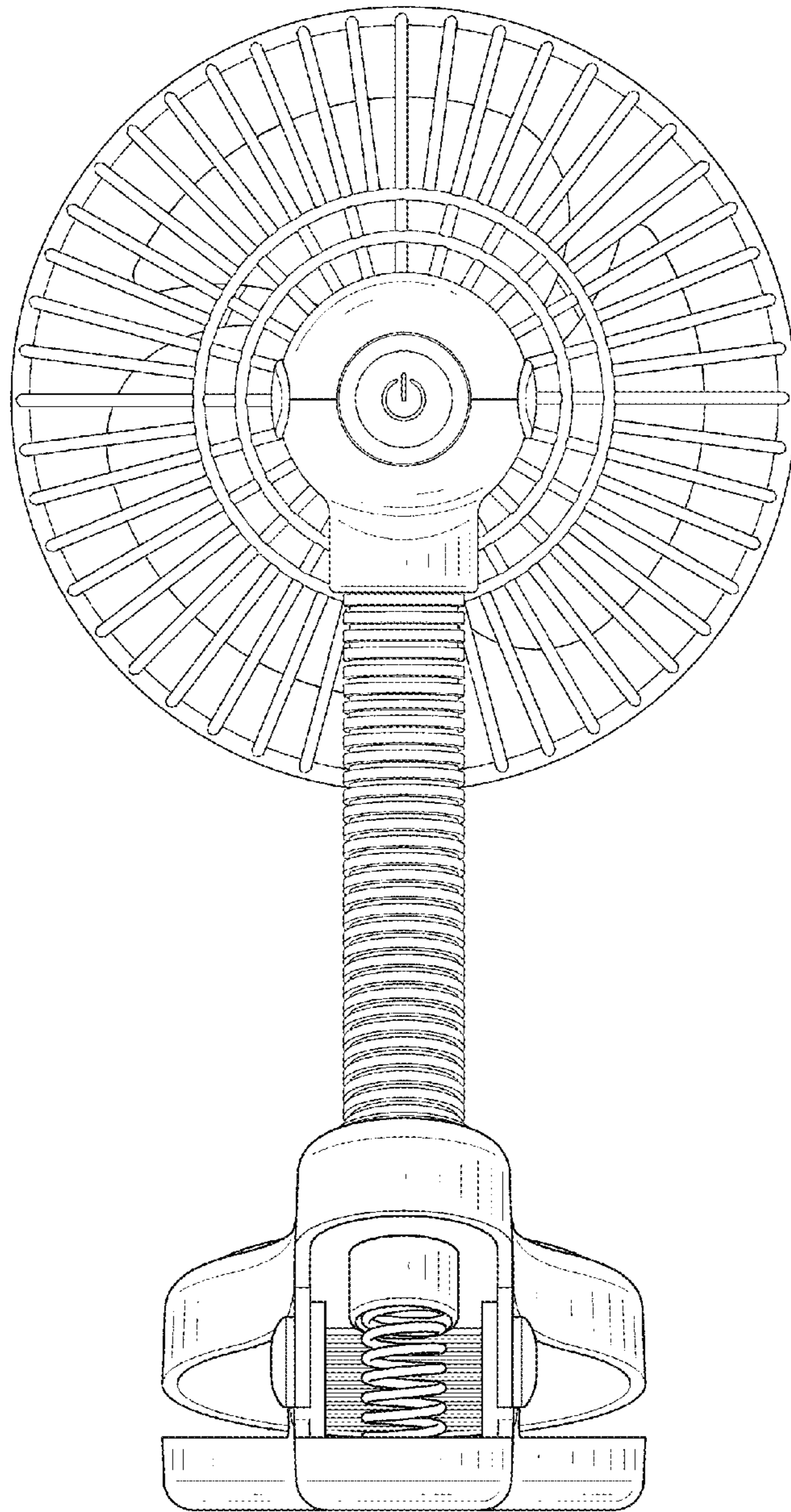


FIG.3

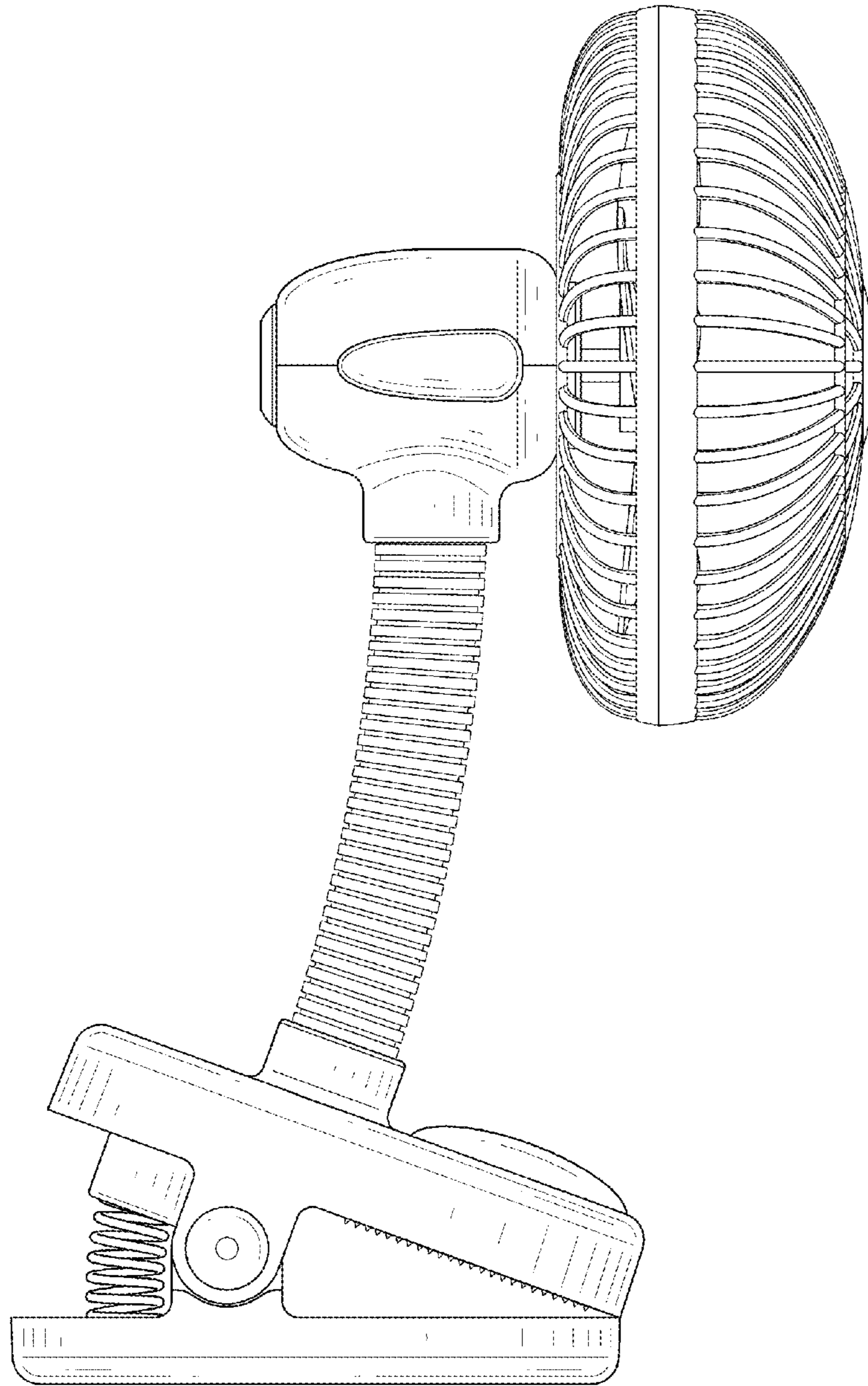


FIG.4

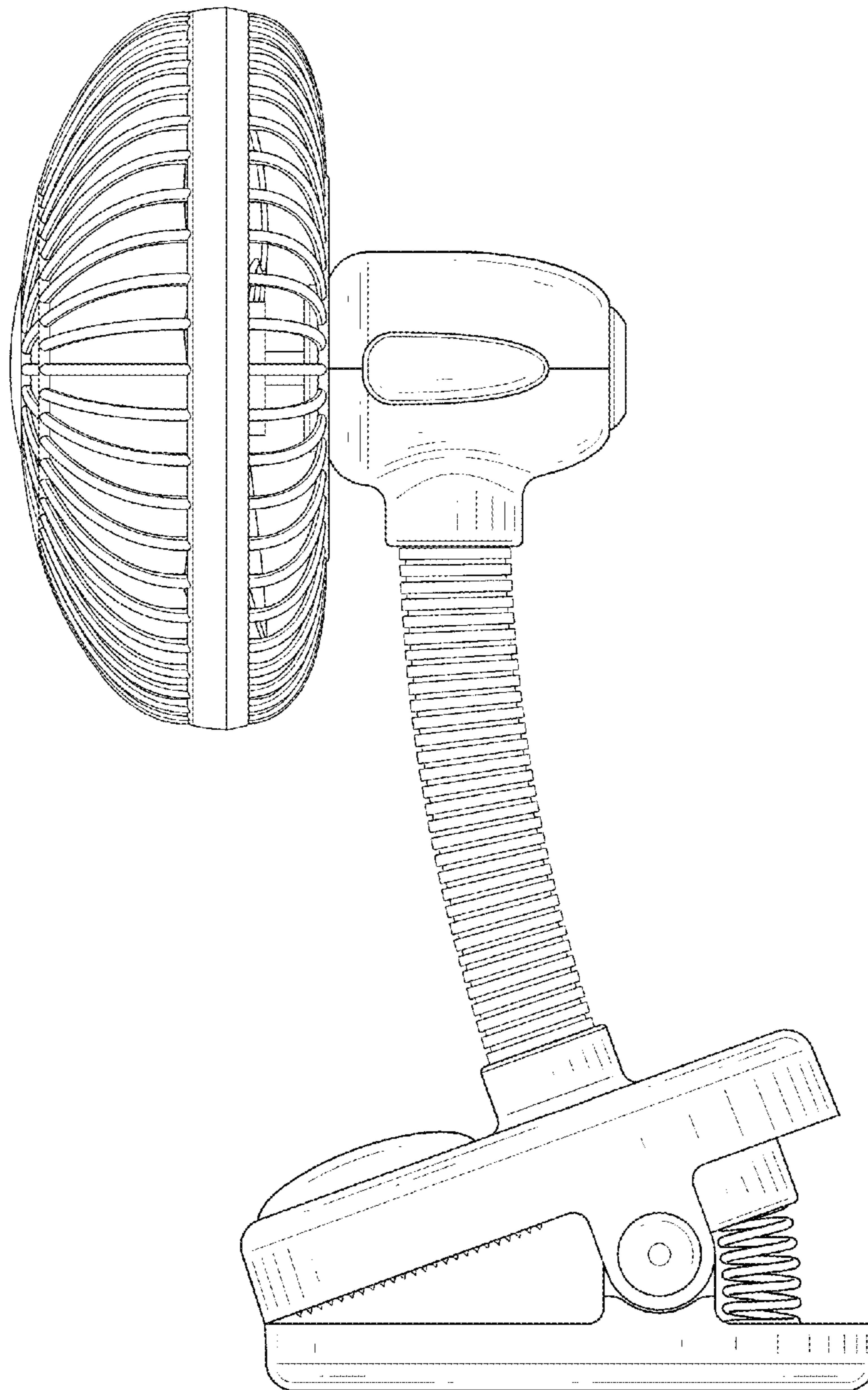


FIG.5



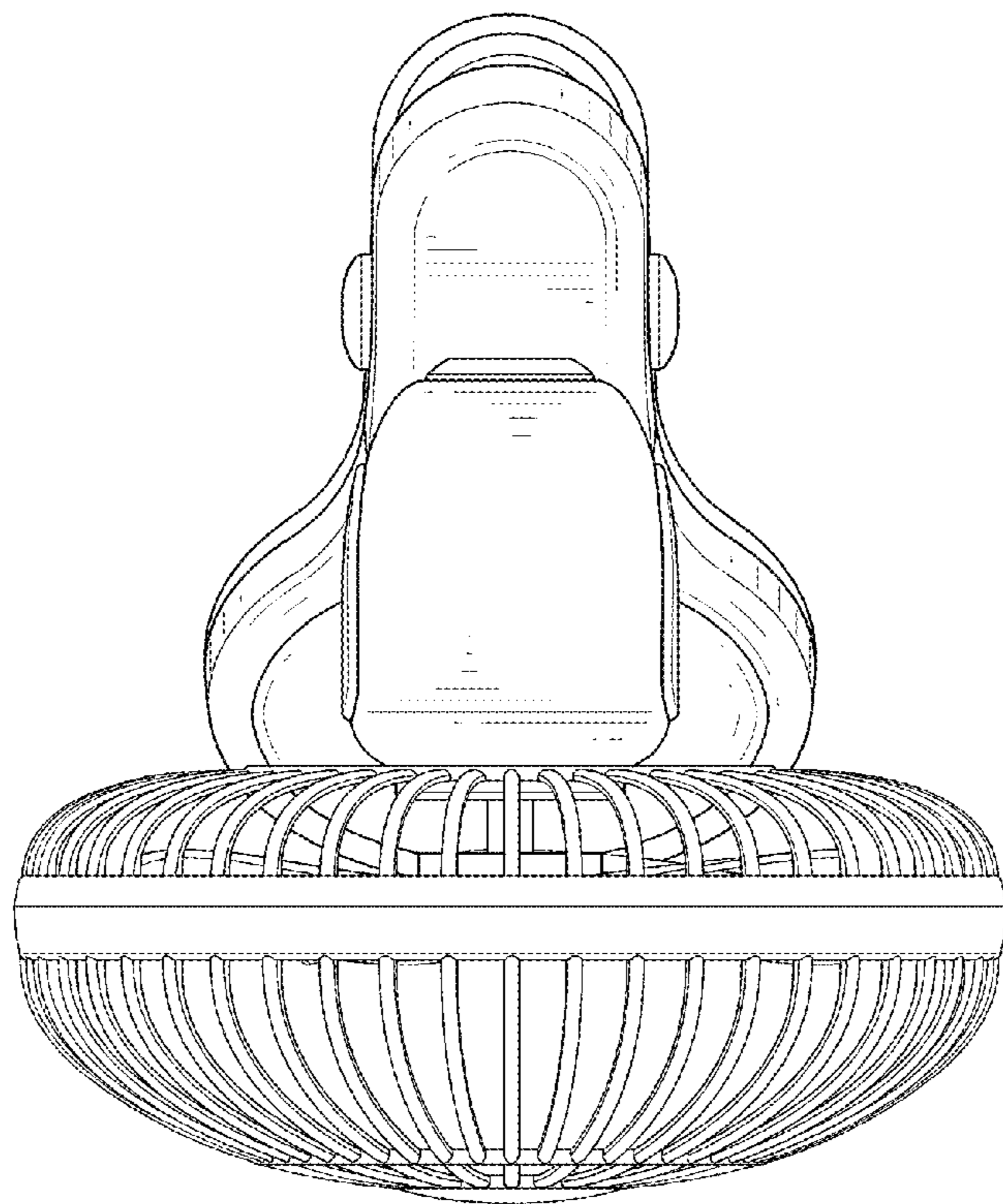


FIG.6

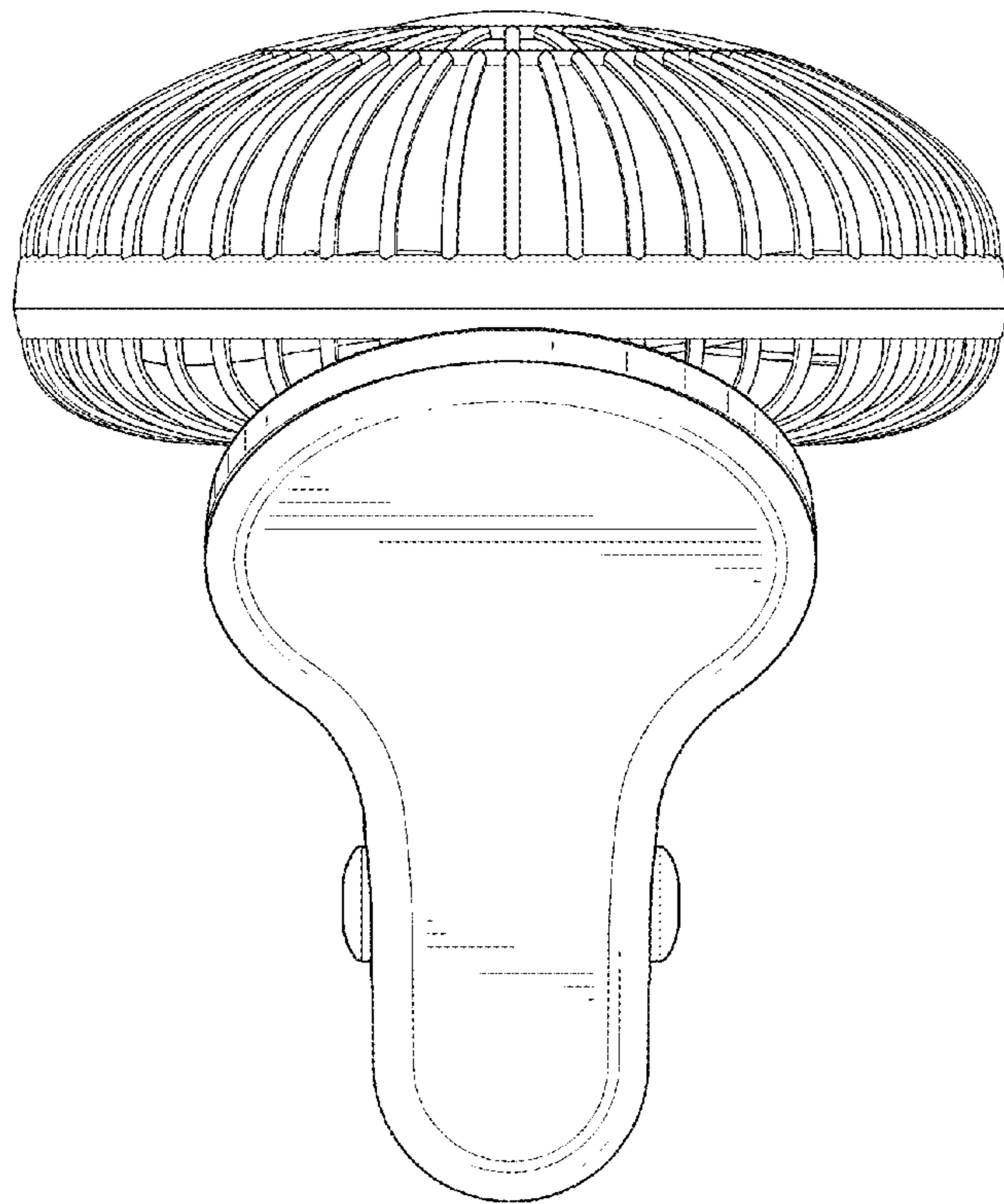


FIG.7



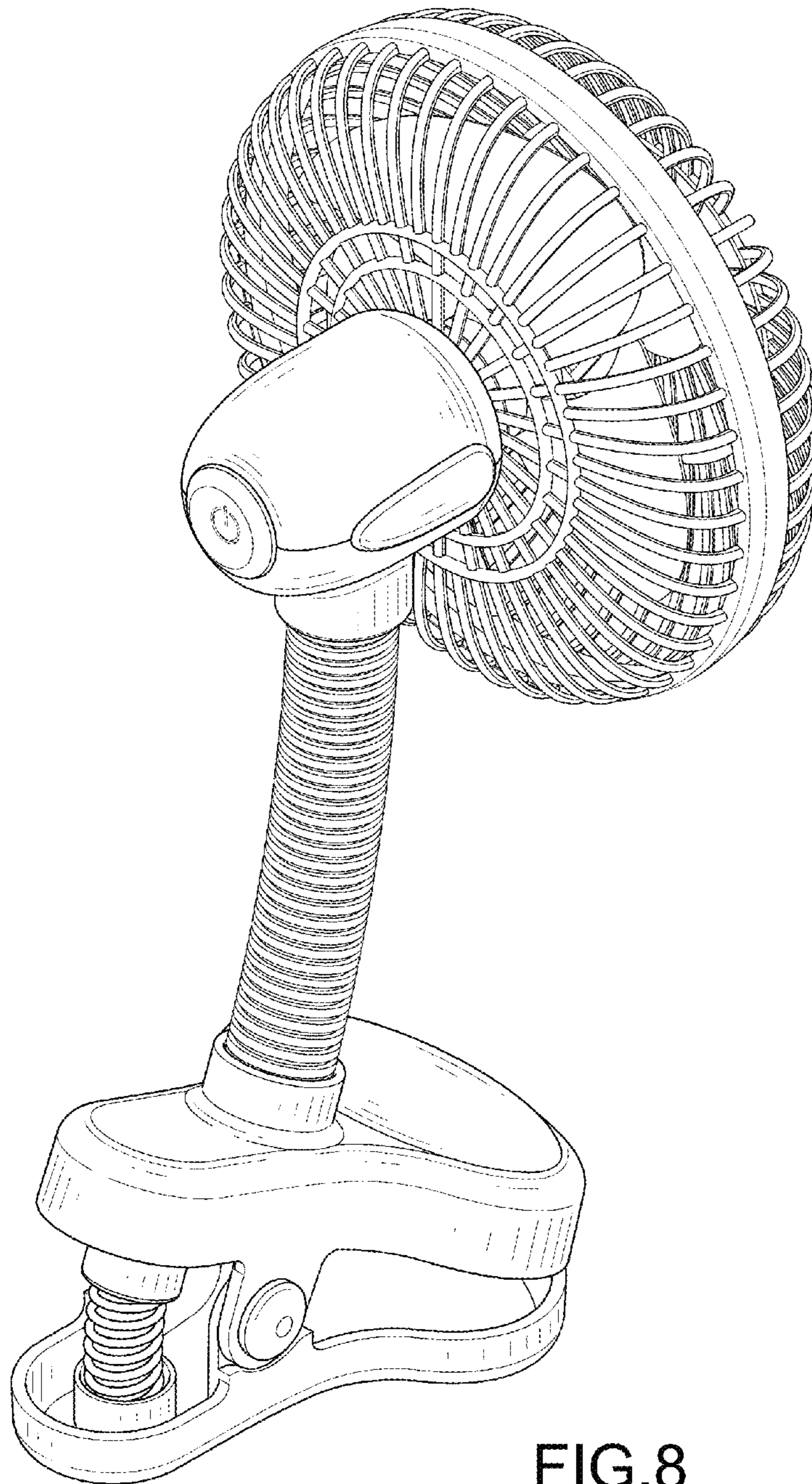


FIG. 8