

US00D669974S

(12) **United States Design Patent**  
**McNeal**

(10) **Patent No.:** **US D669,974 S**

(45) **Date of Patent:** **\*\* Oct. 30, 2012**

(54) **OUTDOOR HEATER**

(76) Inventor: **Kenabion R. McNeal**, Lagrange, GA  
(US)

(\*\*) Term: **14 Years**

(21) Appl. No.: **29/412,236**

(22) Filed: **Feb. 1, 2012**

(51) **LOC (9) Cl.** ..... **23-03**

(52) **U.S. Cl.** ..... **D23/314**

(58) **Field of Classification Search** ..... D23/317,  
D23/323, 328, 330, 332-350, 386, 364, 370,  
D23/383, 314; 392/465, 497, 501; 165/163,  
165/157; 126/304 R, 305, 306, 110 B, 59,  
126/77, 217, 225

See application file for complete search history.

(56) **References Cited**

**U.S. PATENT DOCUMENTS**

4,414,956 A \* 11/1983 Webber ..... 126/59  
5,005,555 A 4/1991 Vogelzang

5,140,974 A \* 8/1992 Whatley ..... 126/307 R  
5,752,497 A \* 5/1998 Combs et al. .... 126/25 R  
2010/0163017 A1 7/2010 Shepherd

\* cited by examiner

*Primary Examiner* — T. Chase Nelson

*Assistant Examiner* — Ania Aman

(74) *Attorney, Agent, or Firm* — Brian D. Bellamy

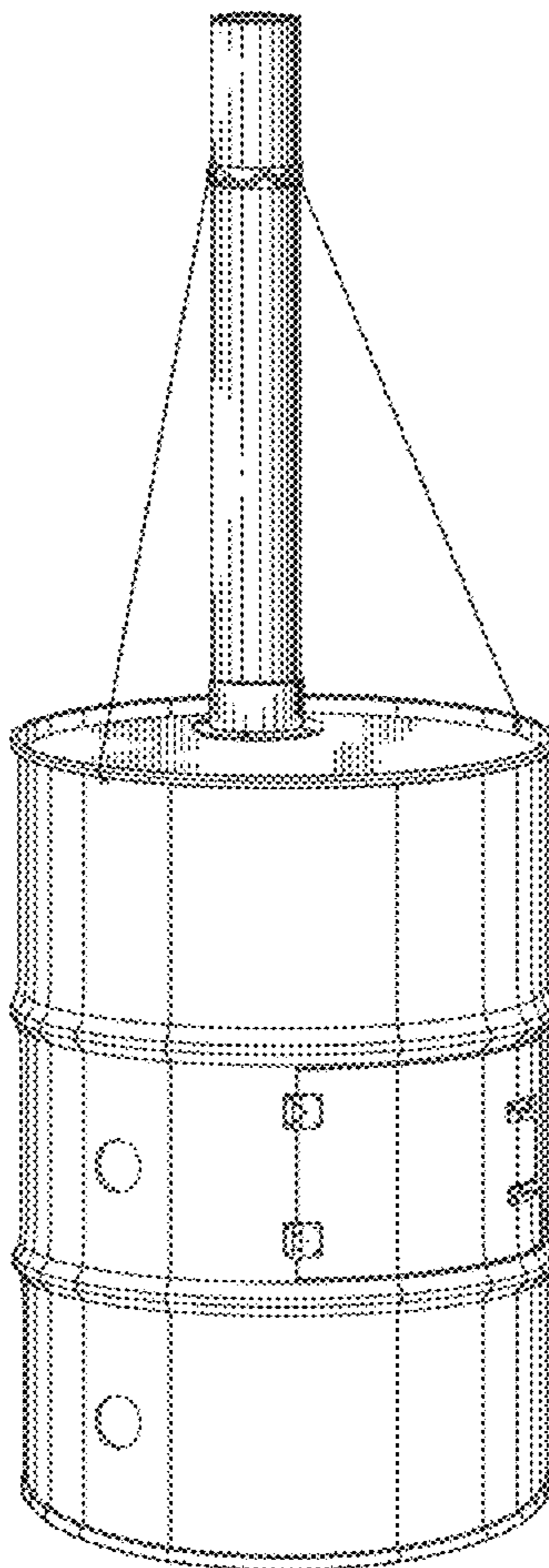
(57) **CLAIM**

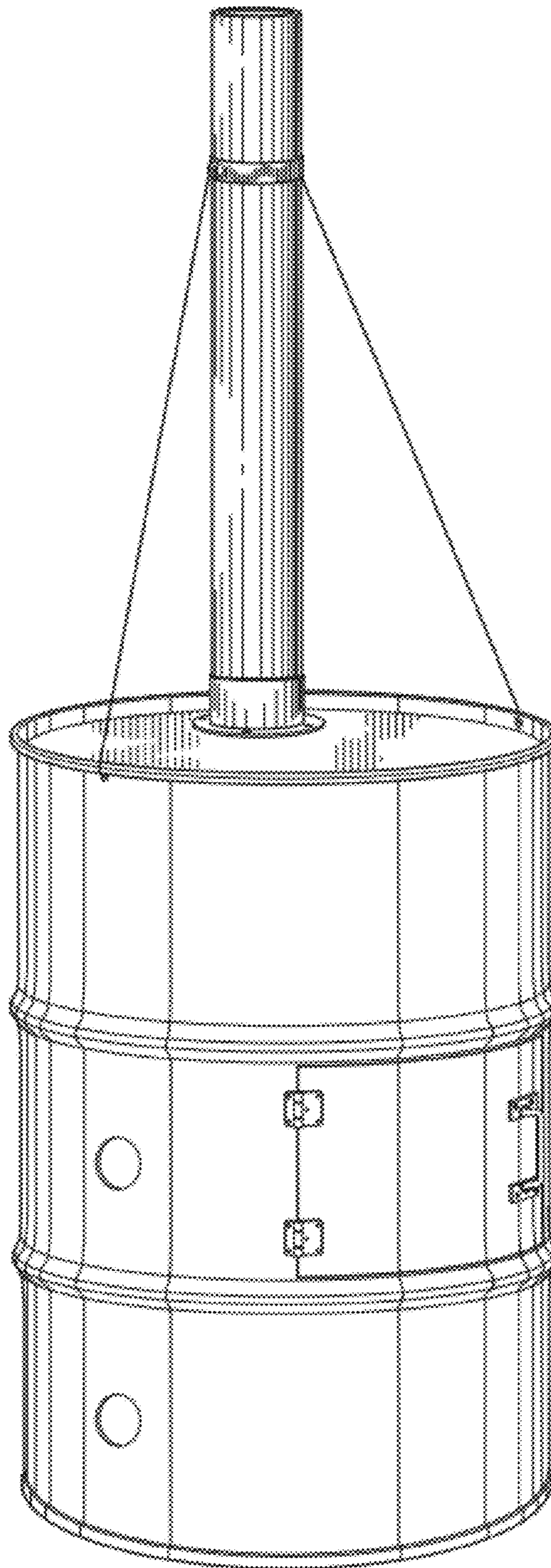
The ornamental design for an outdoor heater, as shown and described.

**DESCRIPTION**

FIG. 1 is a perspective side view of the outdoor heater;  
FIG. 2 is a front side elevational view of FIG. 1;  
FIG. 3 is a rear side elevational view of FIG. 1;  
FIG. 4 is a right side elevation view of FIG. 1;  
FIG. 5 is a left side elevational view of FIG. 1;  
FIG. 6 is a top plan view of FIG. 1; and,  
FIG. 7 is a bottom plan view of FIG. 1.  
In the drawings, the broken lines shown in FIG. 6 depict unclaimed subject matter only and form no part of the claimed design.

**1 Claim, 4 Drawing Sheets**

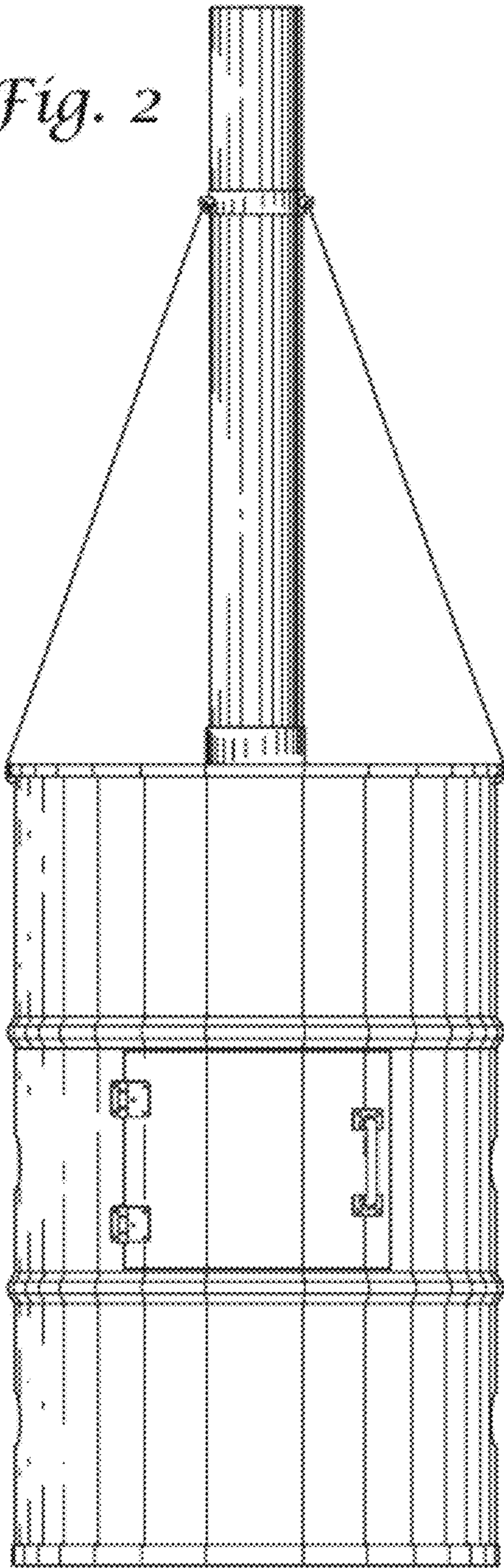




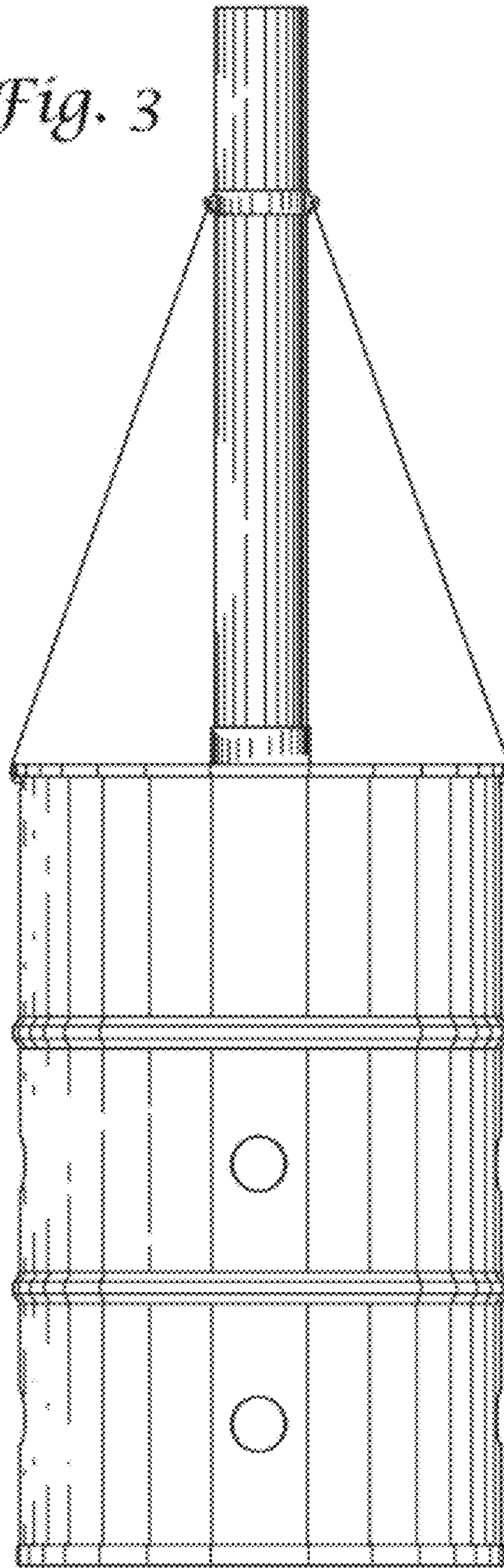
*Fig. 1*



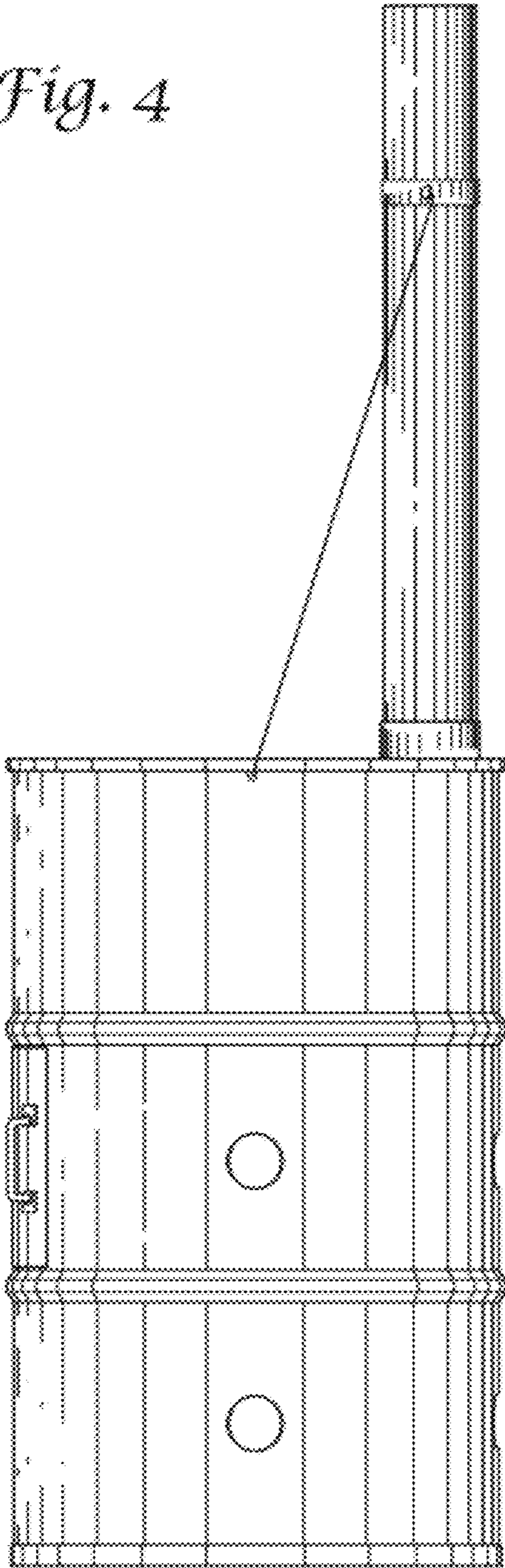
*Fig. 2*



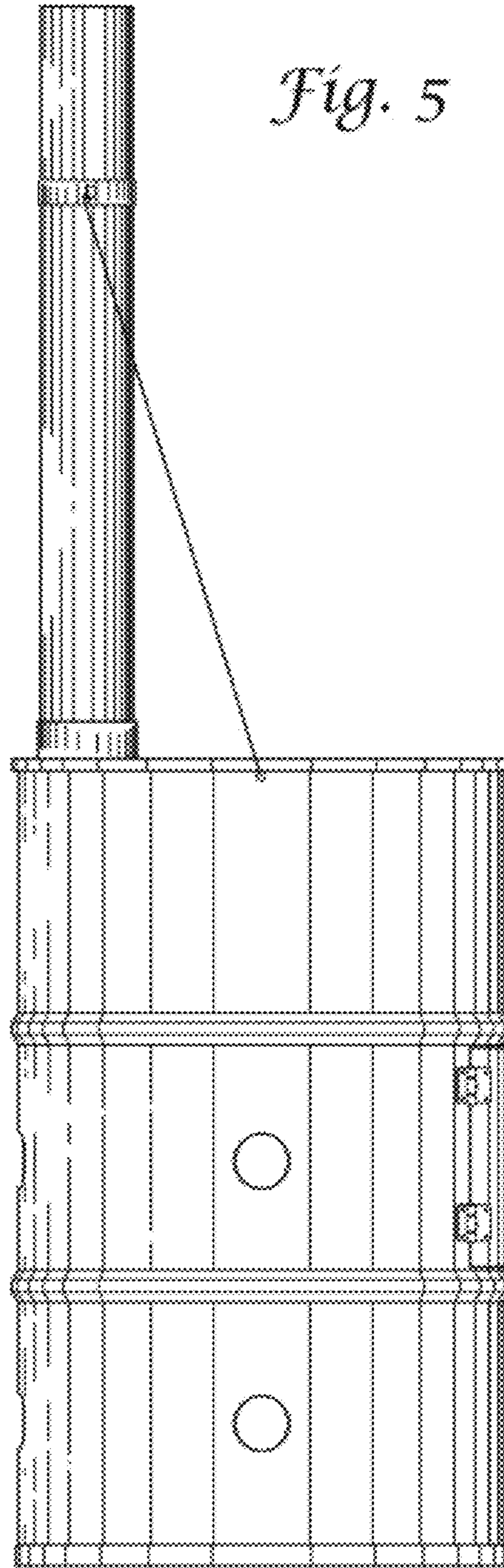
*Fig. 3*



*Fig. 4*

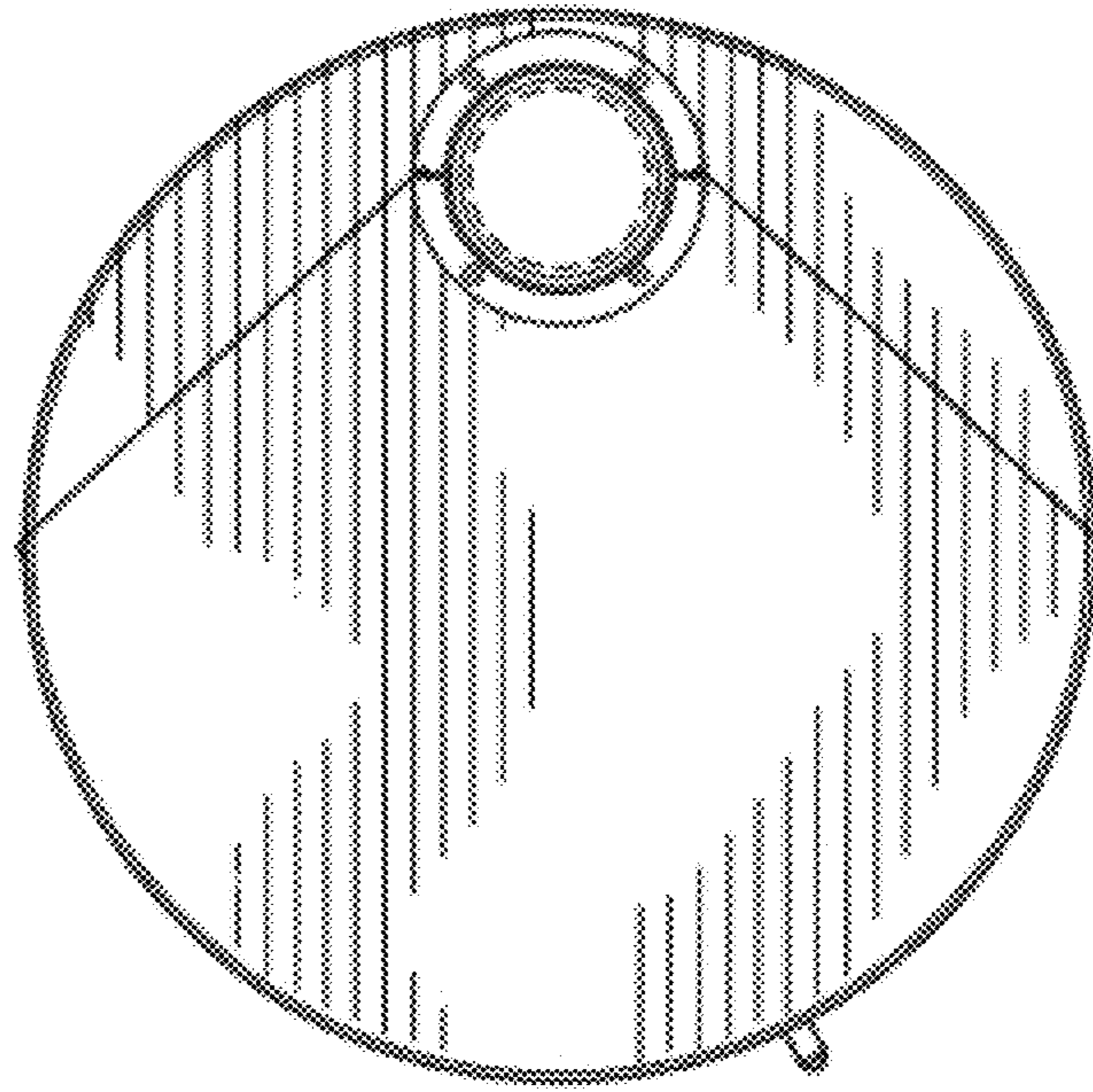


*Fig. 5*





*Fig. 6*



*Fig. 7*

