



US00D669973S

(12) **United States Design Patent**  
**Reda**

(10) **Patent No.:** **US D669,973 S**

(45) **Date of Patent:** **\*\* Oct. 30, 2012**

(54) **RISER TOILET SEAT**

(76) Inventor: **Kareem Reda**, Edina, MN (US)

(\*\*) Term: **14 Years**

(21) Appl. No.: **29/404,332**

(22) Filed: **Oct. 19, 2011**

(51) **LOC (9) Cl.** ..... **23-02**

(52) **U.S. Cl.** ..... **D23/311**

(58) **Field of Classification Search** ..... D23/295,  
D23/299, 303, 309, 311, 296; 4/234, 236,  
4/444, 664, 480, 902

See application file for complete search history.

(56) **References Cited**

**U.S. PATENT DOCUMENTS**

|              |        |                 |       |         |
|--------------|--------|-----------------|-------|---------|
| D239,715 S * | 4/1976 | Finlof          | ..... | D23/311 |
| D307,048 S * | 4/1990 | Spiegel         | ..... | D23/311 |
| D345,008 S * | 3/1994 | Ahlstrom et al. | ..... | D23/311 |
| D356,365 S * | 3/1995 | Liao            | ..... | D23/299 |
| D620,090 S * | 7/2010 | Jenner          | ..... | D23/299 |

\* cited by examiner

*Primary Examiner* — Robert Delehanty

(74) *Attorney, Agent, or Firm* — Westman, Champlin & Kelly, P.A.; Z. Peter Sawicki

(57) **CLAIM**

The ornamental design for a riser toilet seat, as shown and described.

**DESCRIPTION**

FIG. 1 is a perspective view of the riser toilet seat.

FIG. 2 is a front view thereof.

FIG. 3 is a back view thereof

FIG. 4 is a top view thereof.

FIG. 5 is a bottom view thereof

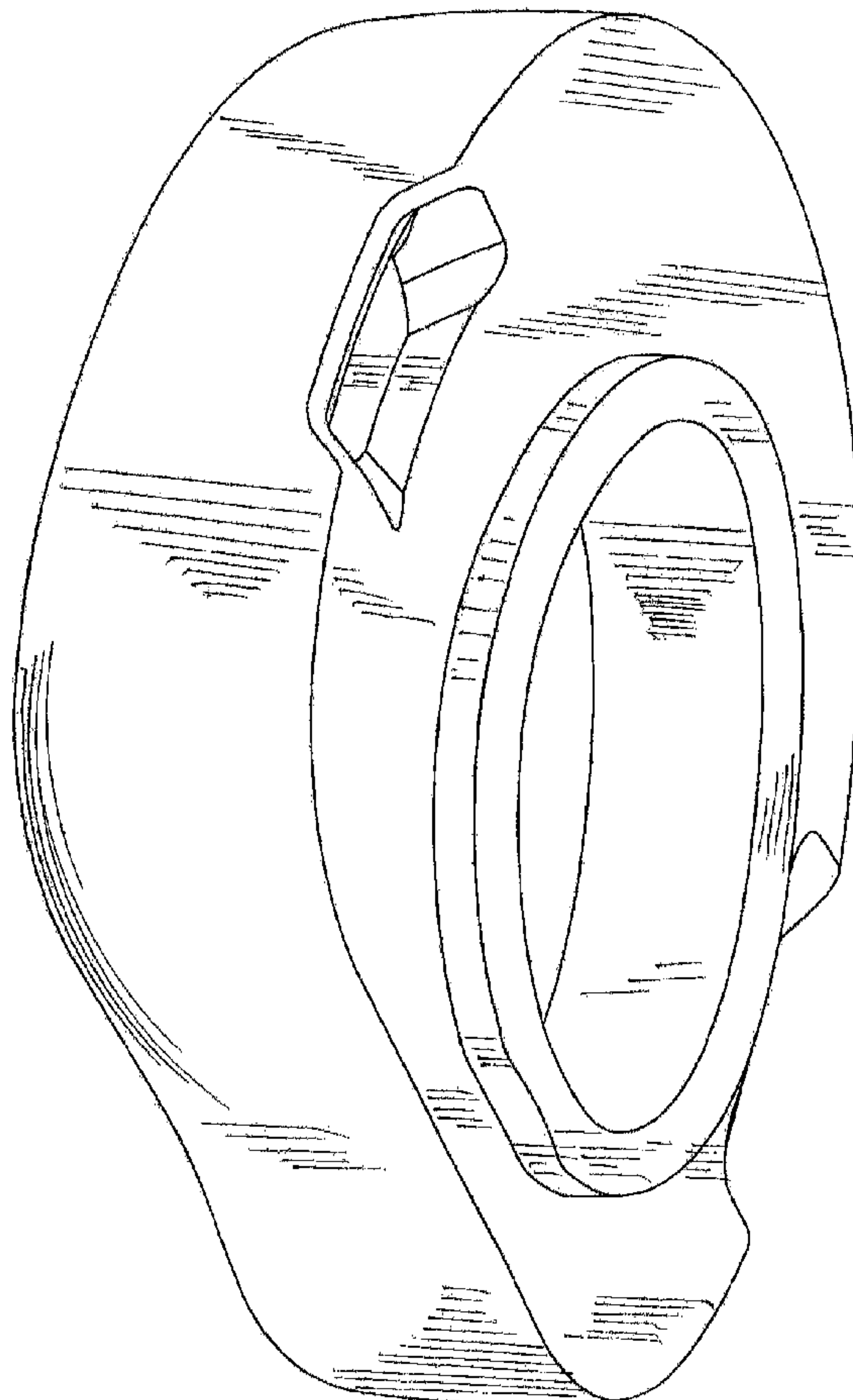
FIG. 6 is a right side view and mirror image of the left side view thereof.

FIG. 7 is a sectional view of the inside front surface of the hole of the toilet seat.

FIG. 8 is a sectional view of the back surface of the hole of the toilet seat; and,

FIG. 9 is a right side view of the inside surface of the hole of the toilet set and a mirror image of the left side view of the inside surface of the hole of the toilet seat.

**1 Claim, 9 Drawing Sheets**



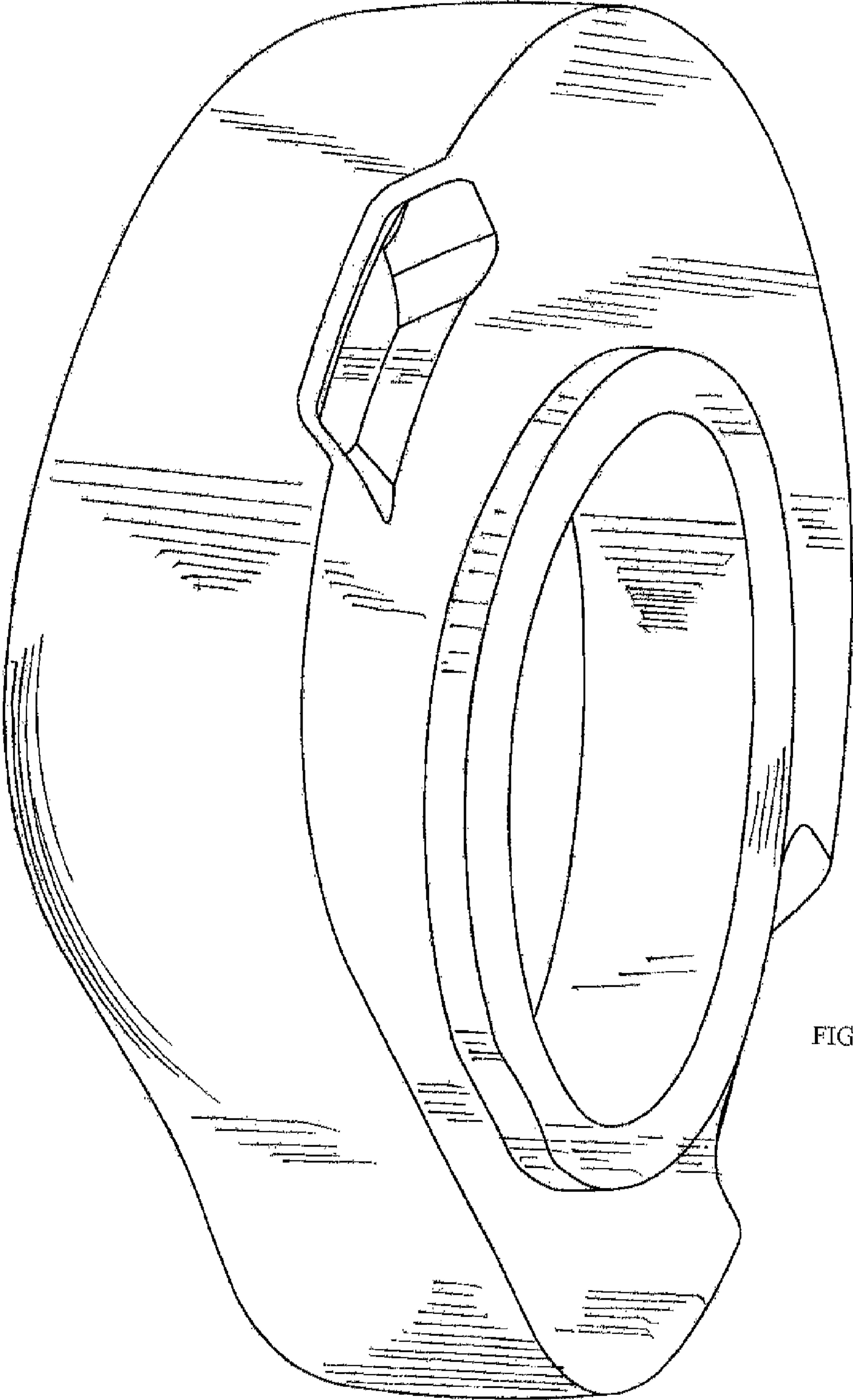


FIGURE 1

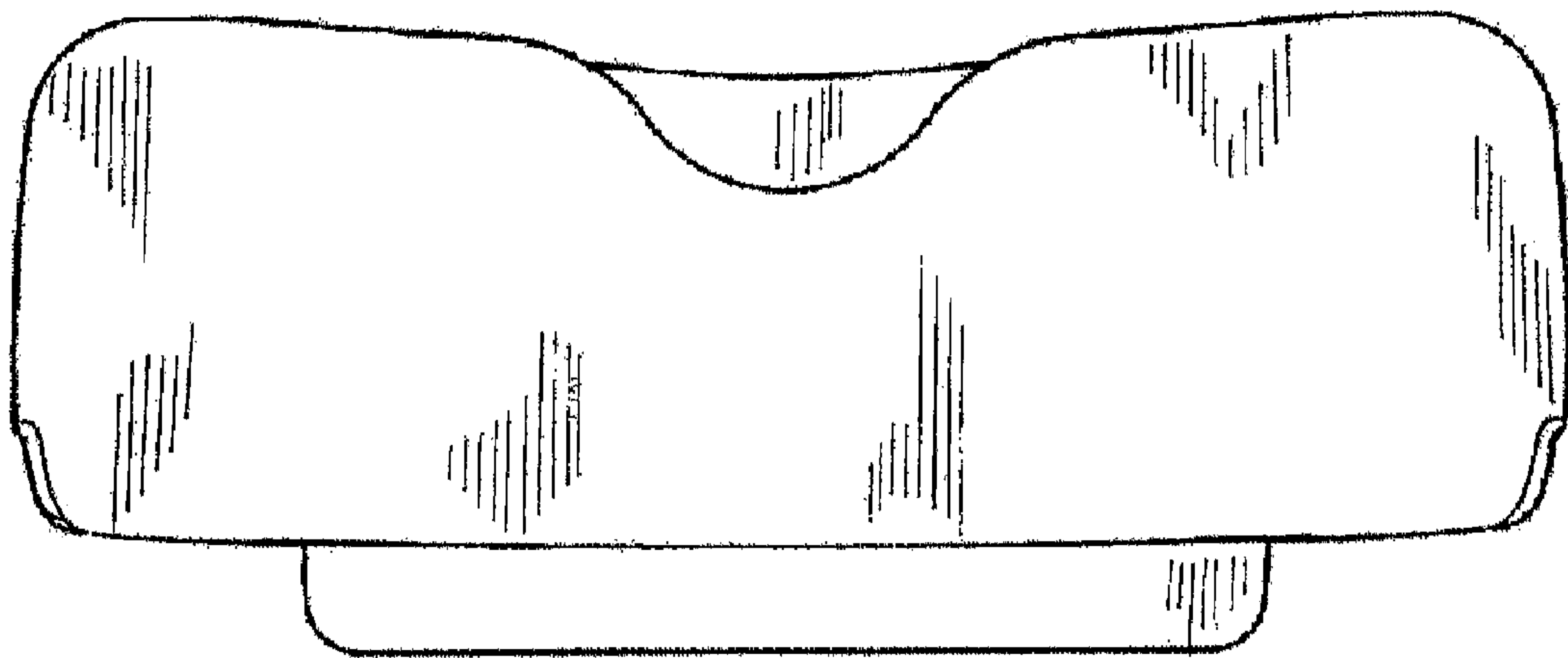


FIGURE 2

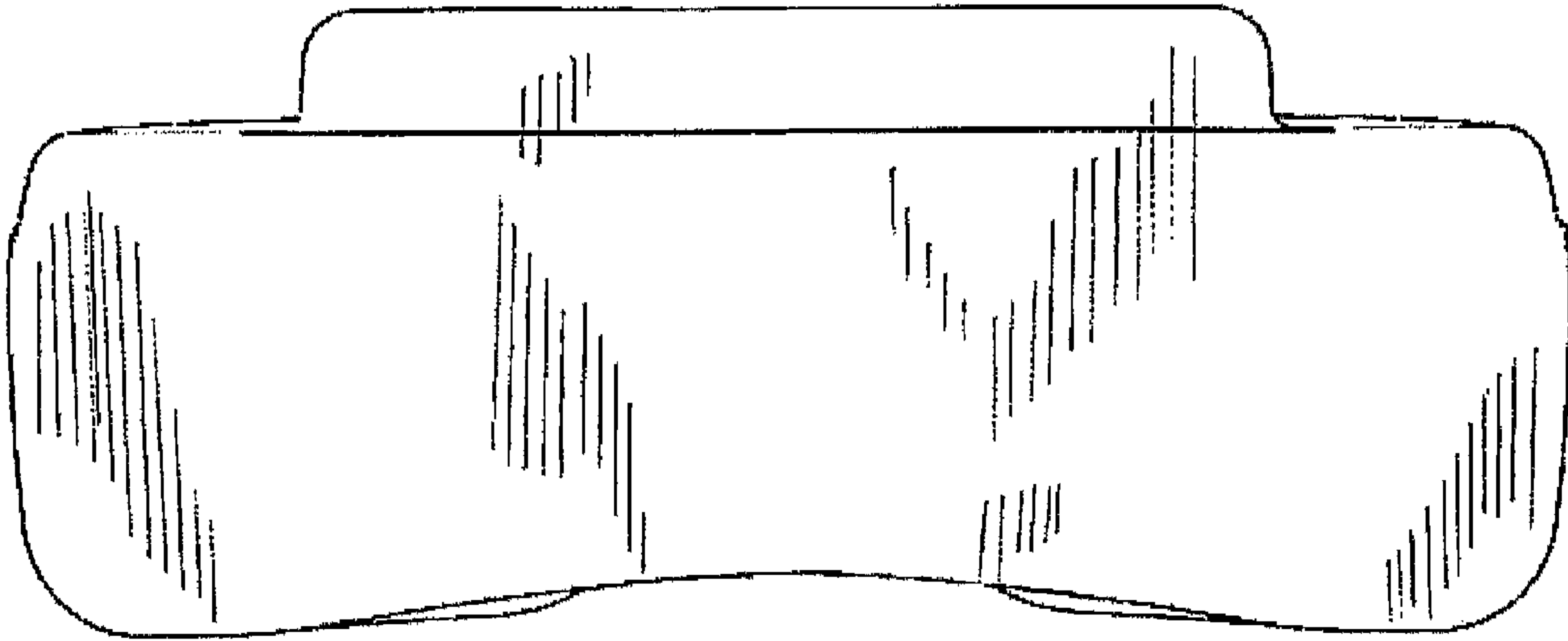


FIGURE 3

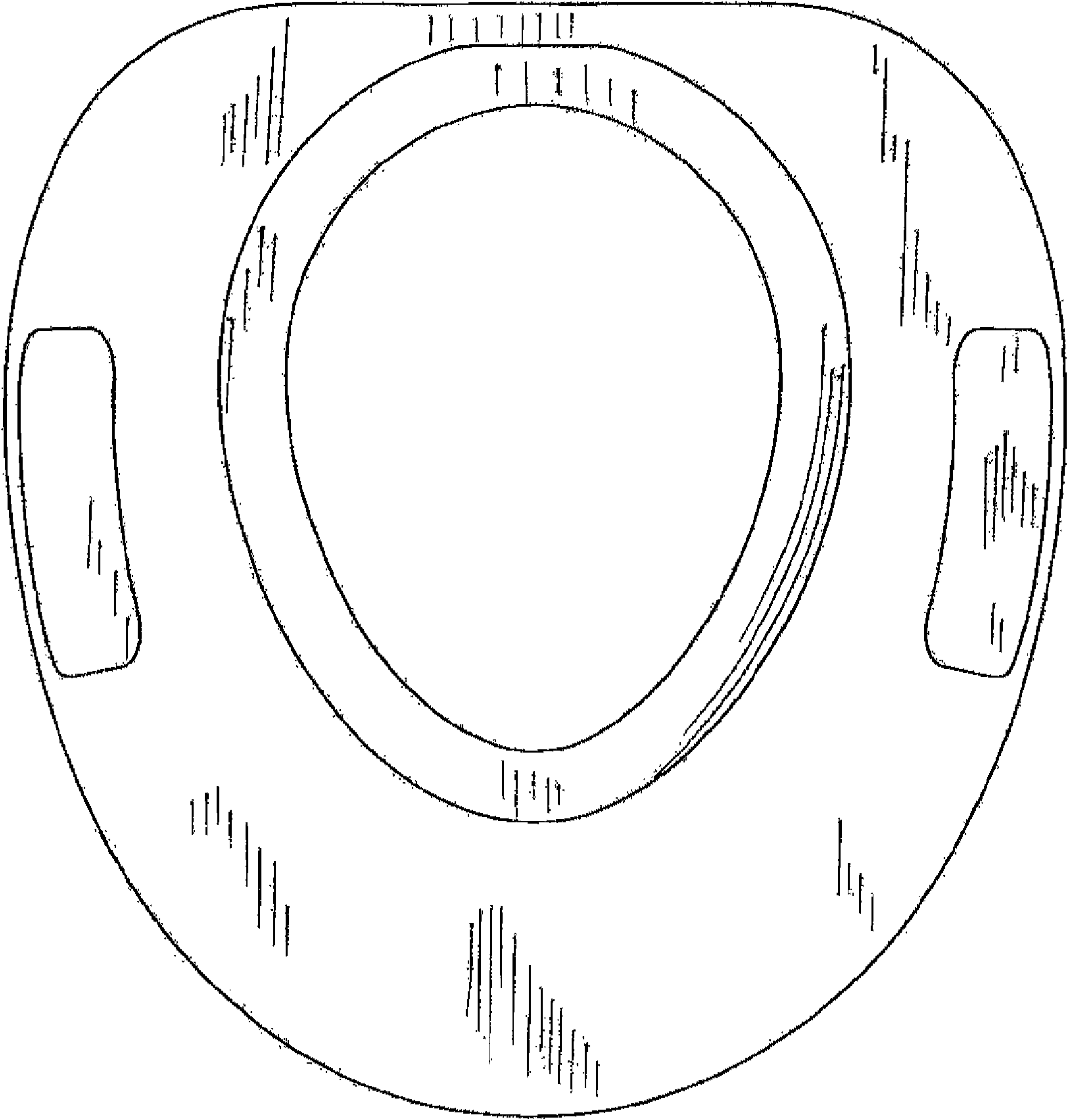


FIGURE 4

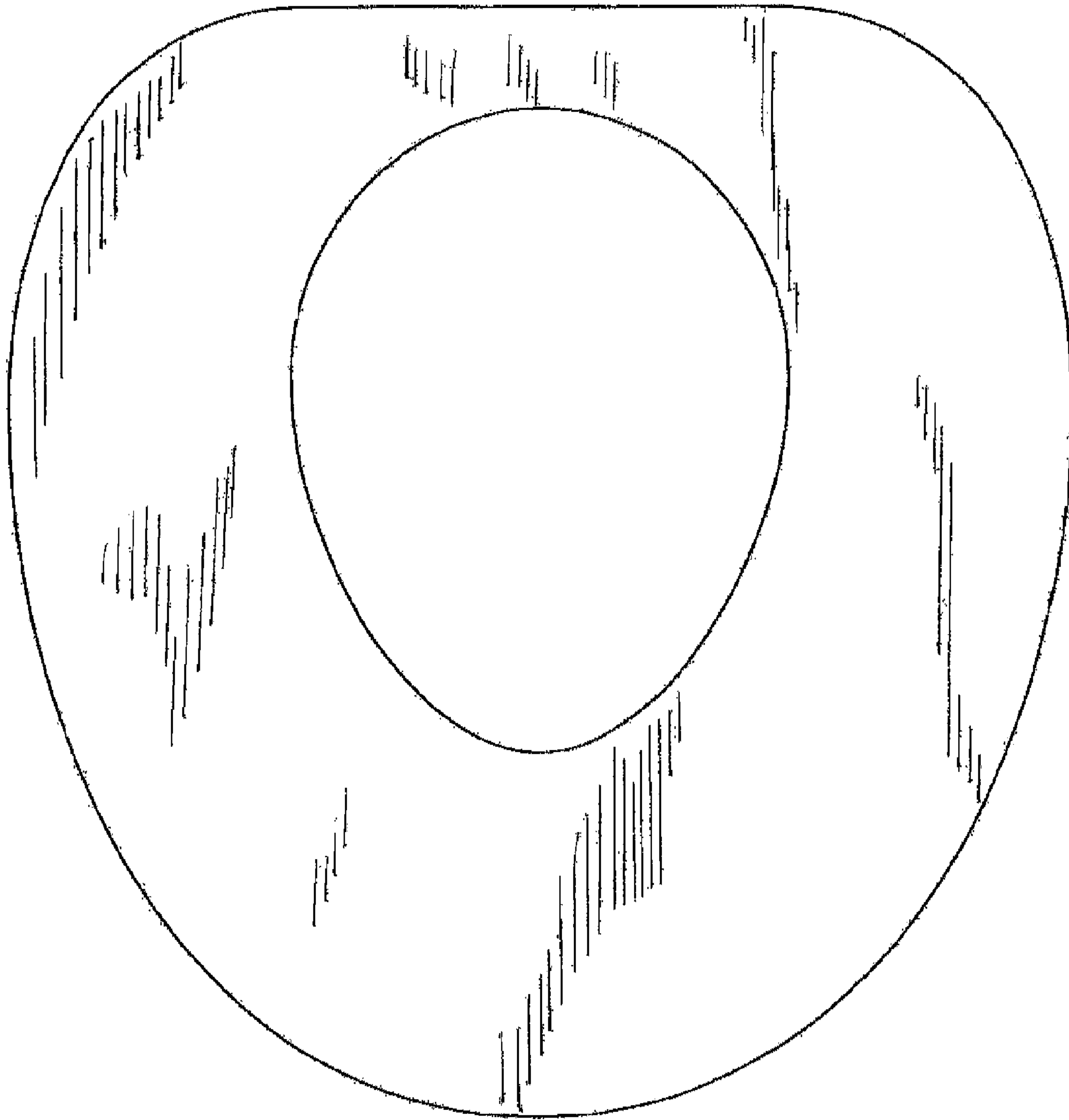


FIGURE 5

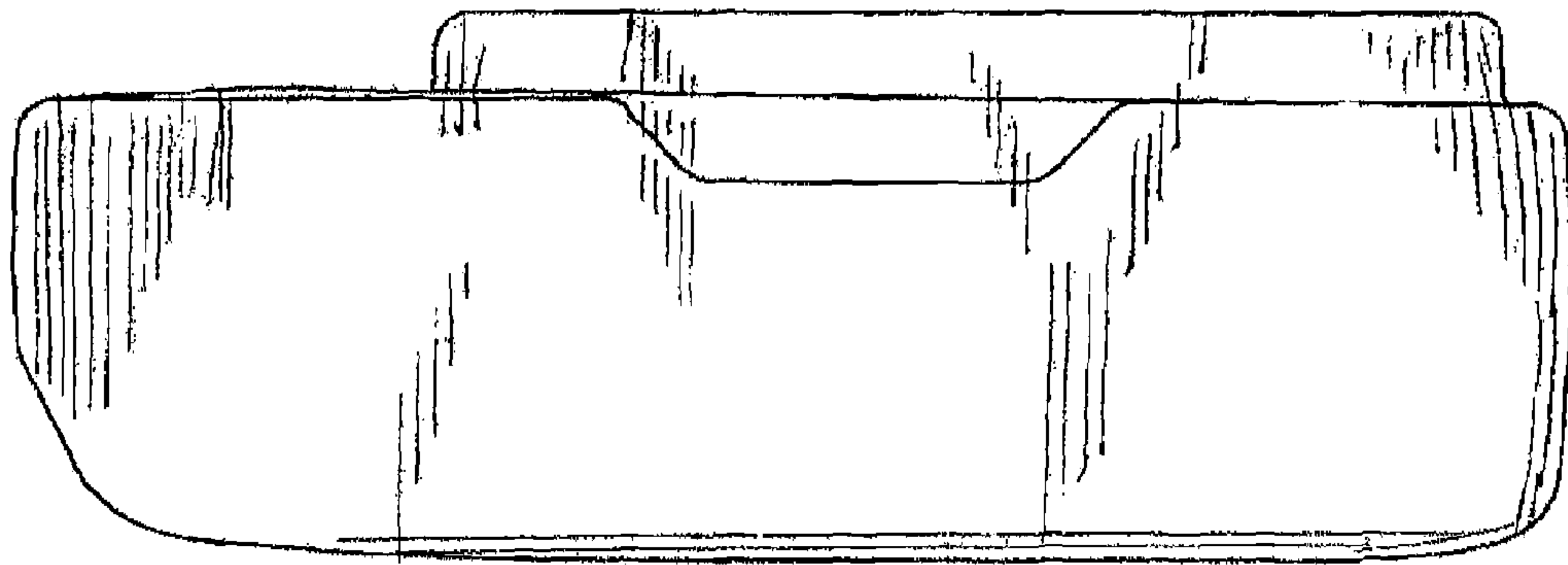


FIGURE 6



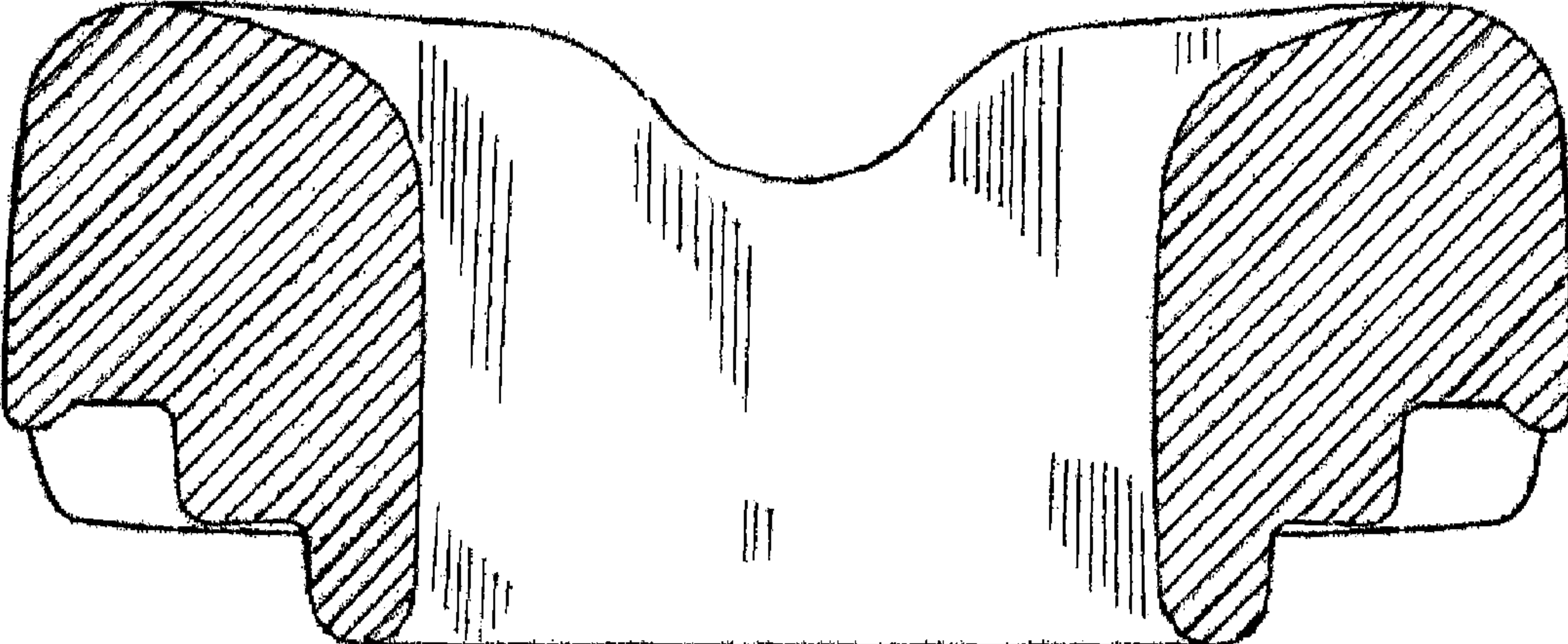


FIGURE 7



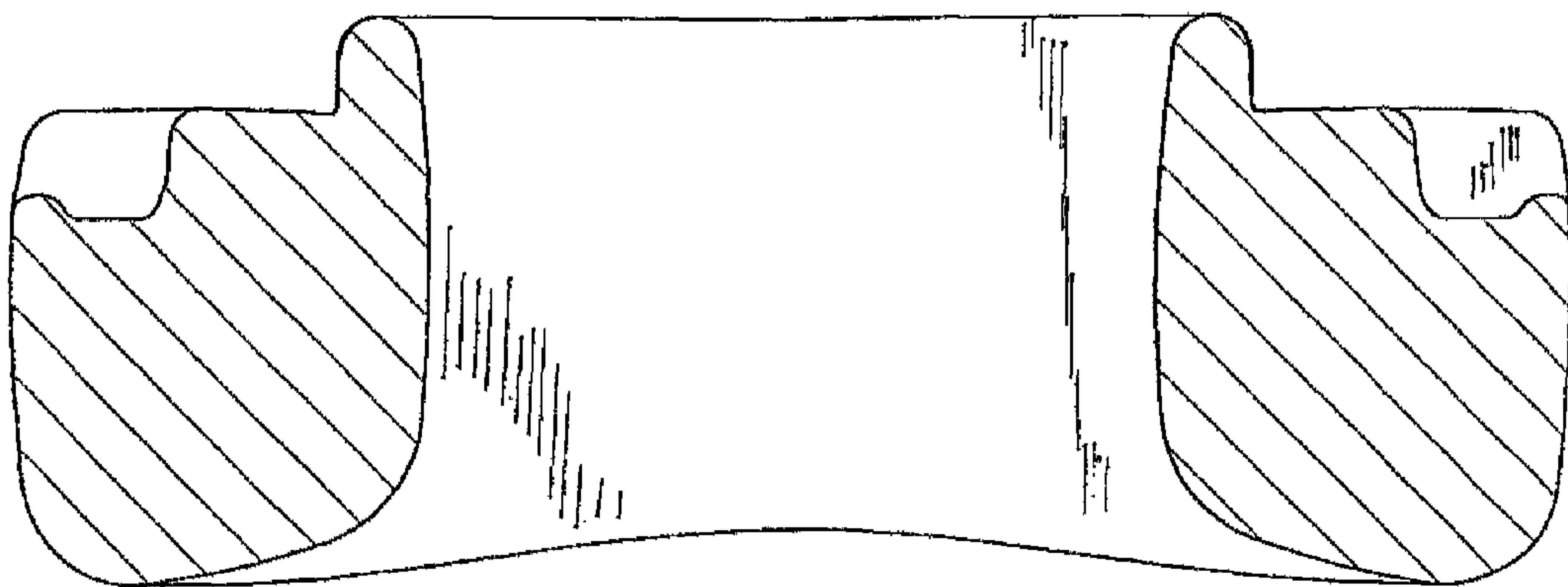


FIGURE 8

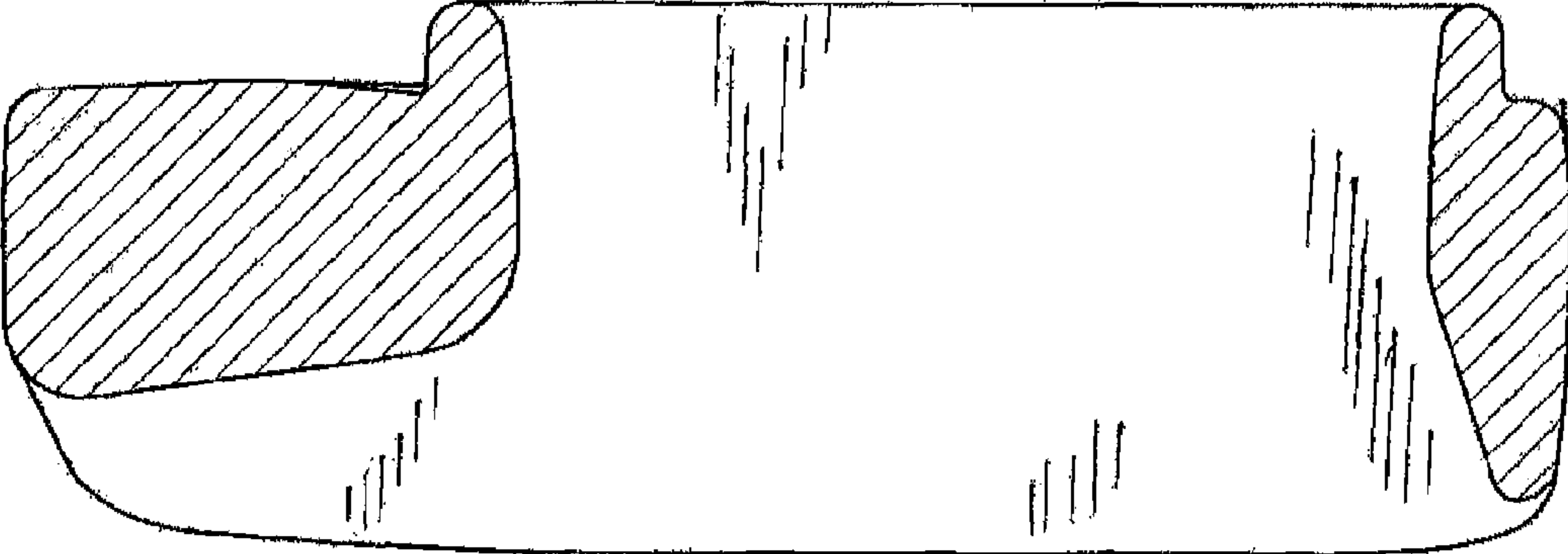


FIGURE 9