

US00D669968S

(12) **United States Design Patent**
Morishita

(10) **Patent No.:** **US D669,968 S**

(45) **Date of Patent:** **** Oct. 30, 2012**

(54) **PIPE FOR A FILTER**

(75) **Inventor:** **Noriyuki Morishita**, Tokyo (JP)

(73) **Assignee:** **Asahi Kasei Chemicals Corporation**,
Tokyo (JP)

(**) **Term:** **14 Years**

(21) **Appl. No.:** **29/385,742**

(22) **Filed:** **Feb. 18, 2011**

(30) **Foreign Application Priority Data**

Sep. 8, 2010 (JP) D2010-021746

(51) **LOC (9) Cl.** **23-01**

(52) **U.S. Cl.** **D23/259**

(58) **Field of Classification Search** D23/259-266;
210/232, 323.2, 321.72, 321.78, 321.8, 321.88,
210/321.89, 500.23; D8/382-387, 397; D10/64
See application file for complete search history.

(56) **References Cited**

U.S. PATENT DOCUMENTS

4,373,767	A *	2/1983	Cairns	439/275
D367,036	S *	2/1996	Lee	D13/133
5,548,088	A *	8/1996	Gray et al.	174/74 R
D376,580	S *	12/1996	Lee	D13/133
5,651,698	A *	7/1997	Locati et al.	439/578
D432,087	S *	10/2000	Malak	D13/154
D432,088	S *	10/2000	Malak	D13/154
D432,089	S *	10/2000	Malak	D13/154
D432,090	S *	10/2000	Malak	D13/154
D432,993	S *	10/2000	Palinkas	D13/154
D460,047	S *	7/2002	Ching	D13/147
D460,417	S *	7/2002	Wood	D13/147
D495,662	S *	9/2004	Chawgo	D13/156
D581,777	S *	12/2008	Huang	D8/397

OTHER PUBLICATIONS

U.S. Appl. No. 29/384,384 to Noriyuki Morishita, which was filed on Jan. 31, 2011.

* cited by examiner

Primary Examiner — Eric Goodman

(74) *Attorney, Agent, or Firm* — Greenblum & Bernstein P.L.C.

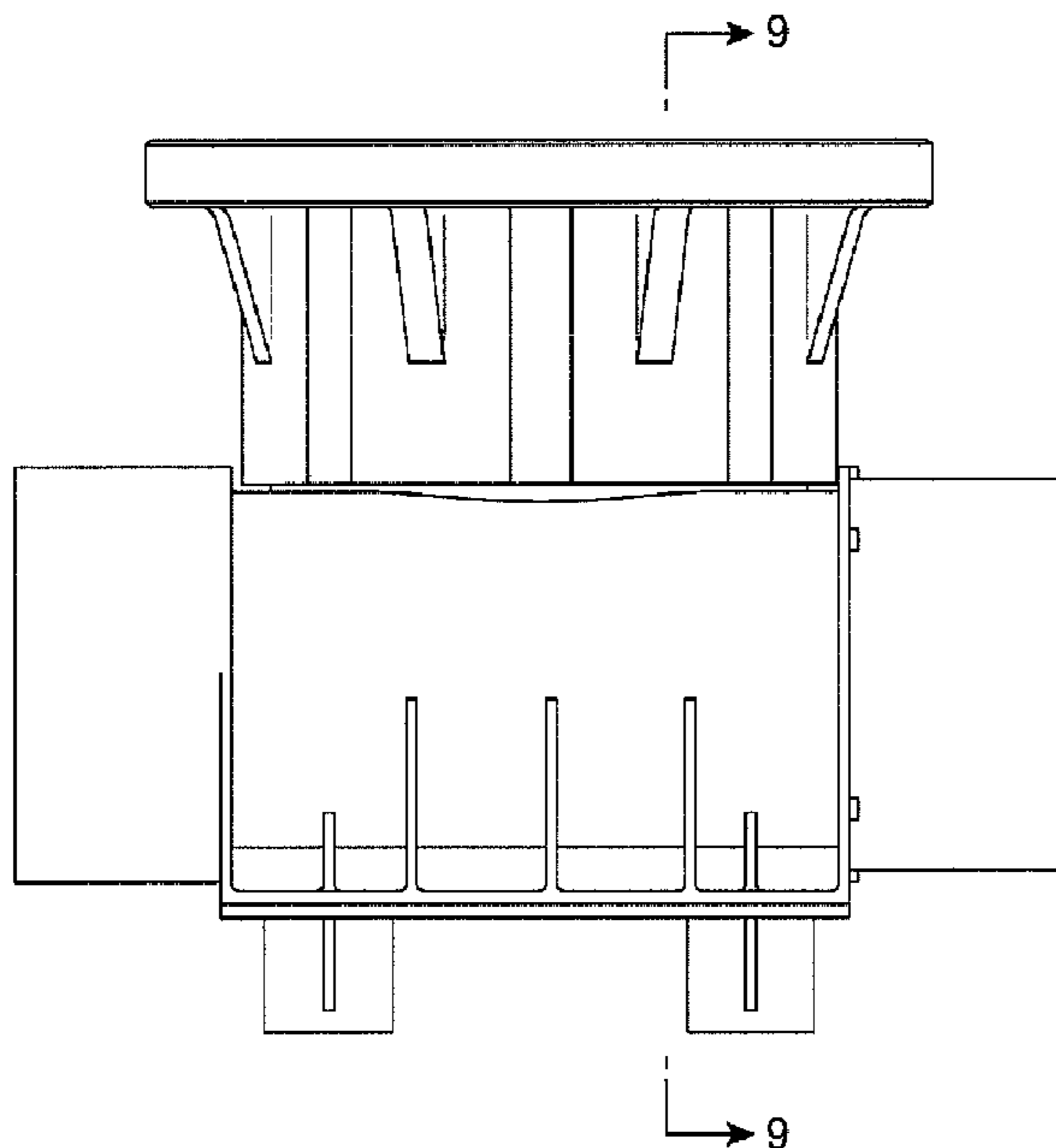
(57) **CLAIM**

I claim the ornamental design for a pipe for a filter, as shown and described.

DESCRIPTION

FIG. 1 is a front elevational view of a pipe for a filter, showing my new design;
FIG. 2 is a rear elevational view thereof;
FIG. 3 is a top plan view thereof;
FIG. 4 is a bottom plan view thereof;
FIG. 5 is right side elevational view thereof;
FIG. 6 is a left side elevational view thereof;
FIG. 7 is a top perspective view thereof;
FIG. 8 is a bottom perspective view thereof;
FIG. 9 is a sectional view taken along line 9-9 in FIG. 1;
FIG. 10 is a sectional view taken along line 10-10 in FIG. 3;
FIG. 11 is a sectional view taken along line 11-11 in FIG. 3;
and,
FIG. 12 is a perspective view of the pipe for a filter in use.
The broken line showing in FIG. 12 is for the purpose of illustrating environment and forms no part of the claimed design.

1 Claim, 12 Drawing Sheets



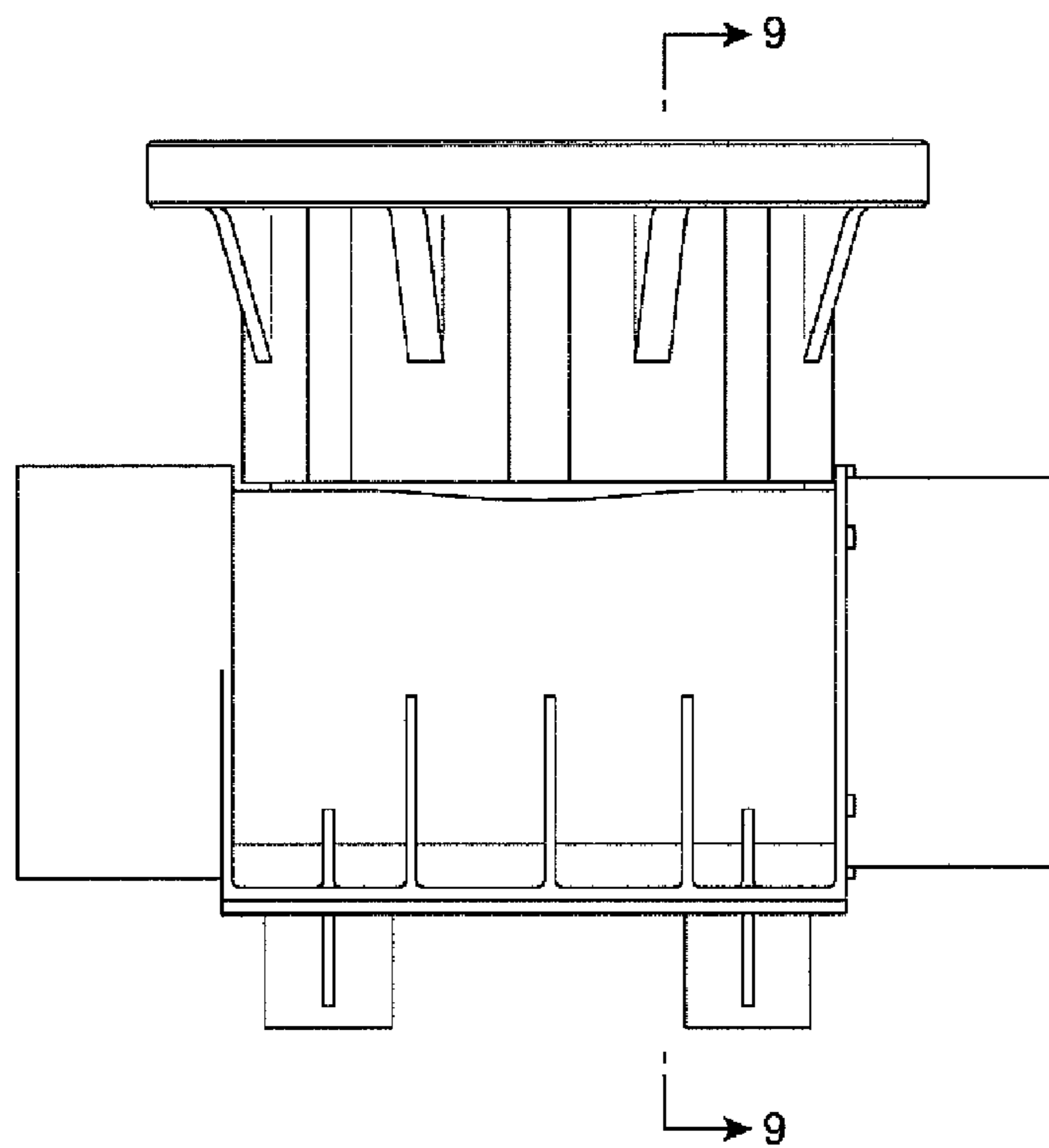


Figure 1

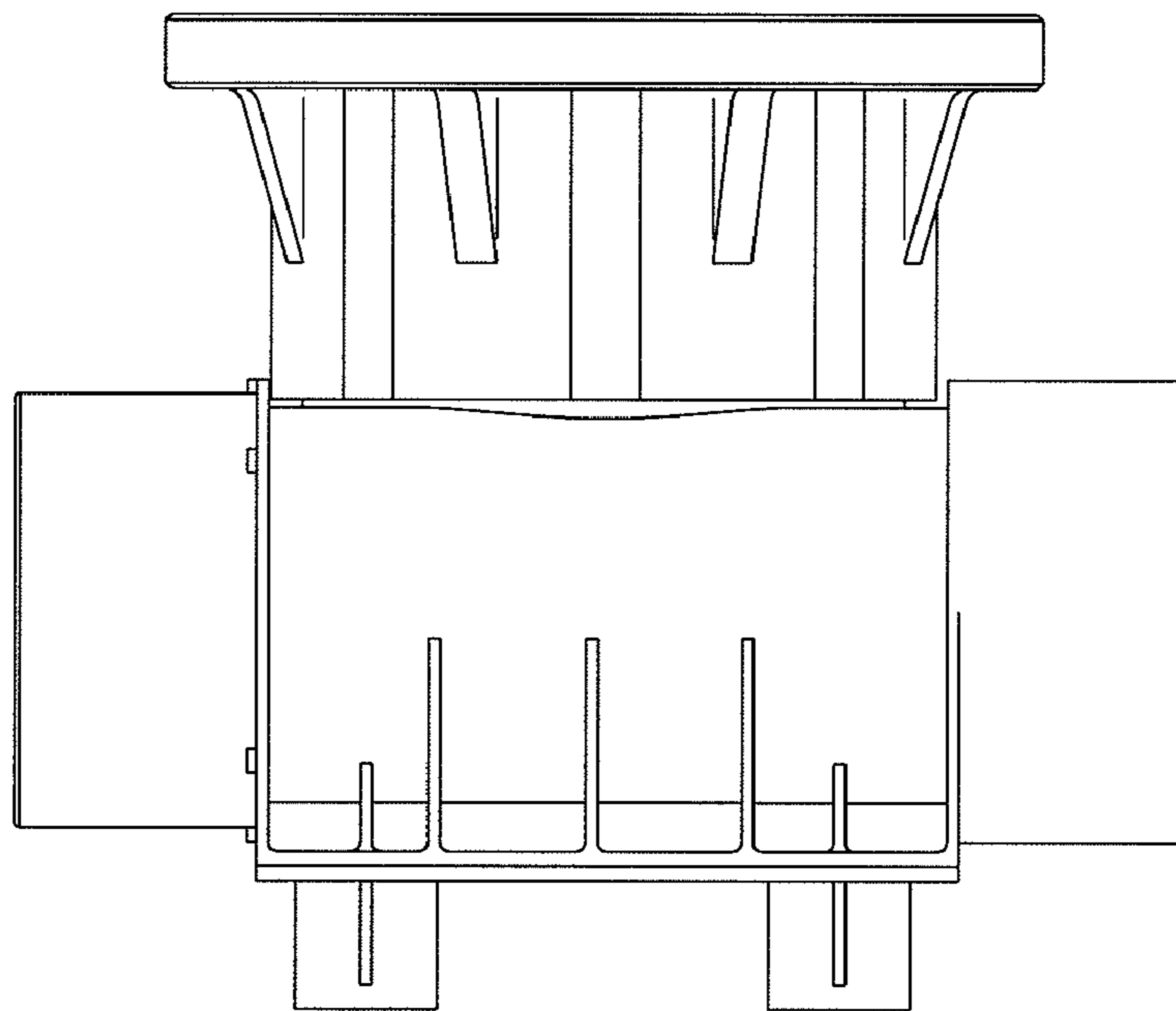


Figure 2

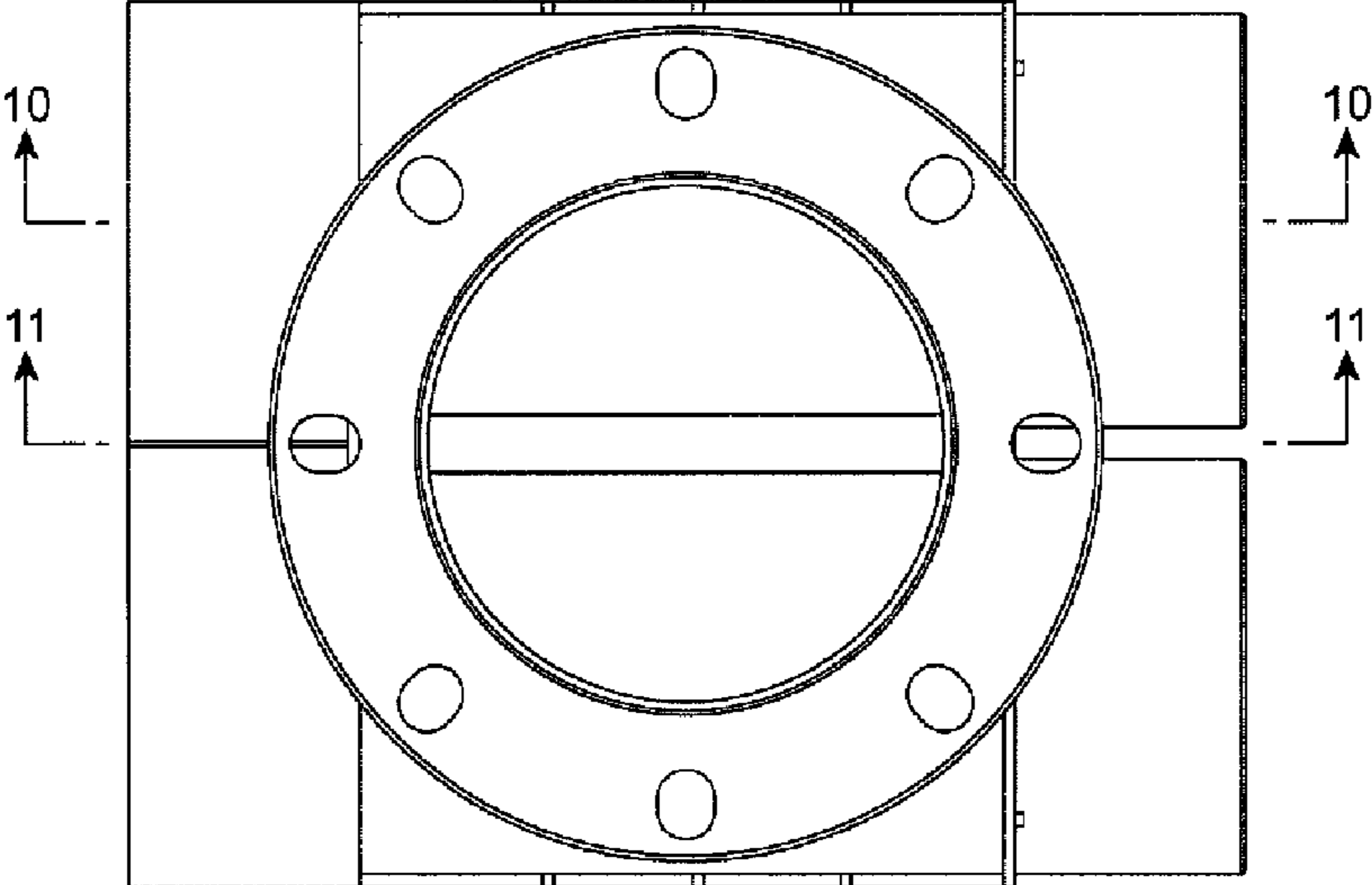


Figure 3

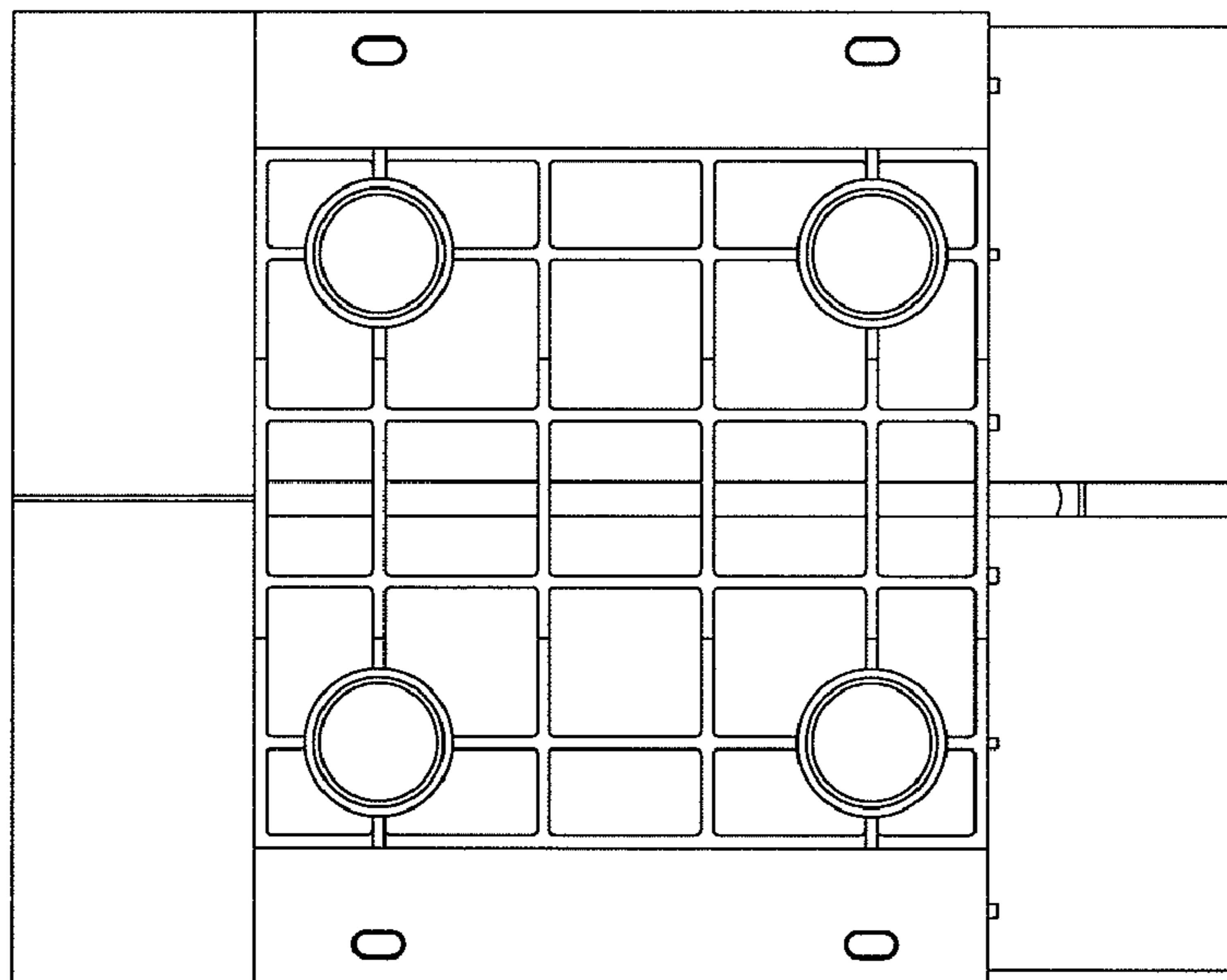


Figure 4

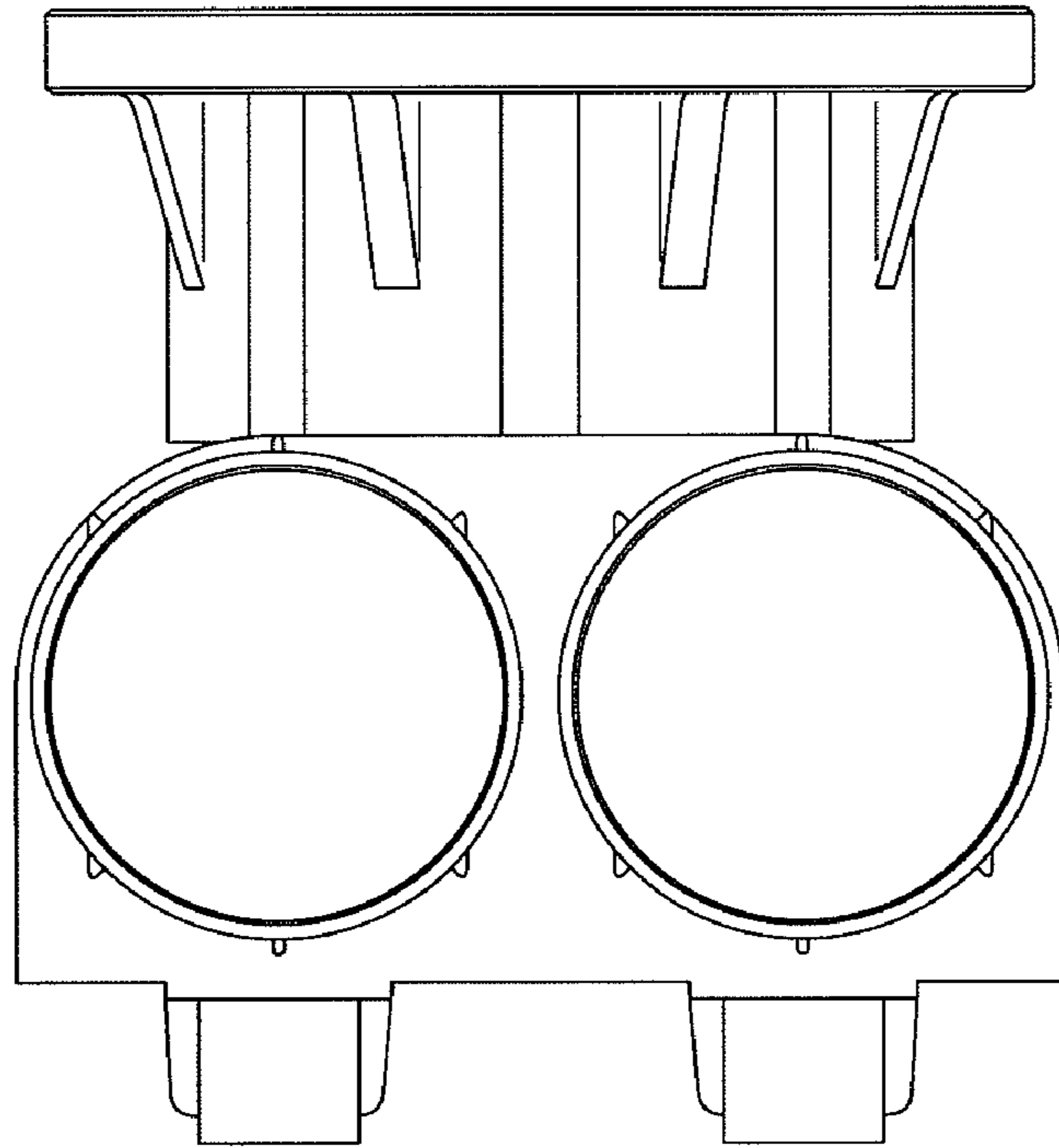


Figure 5

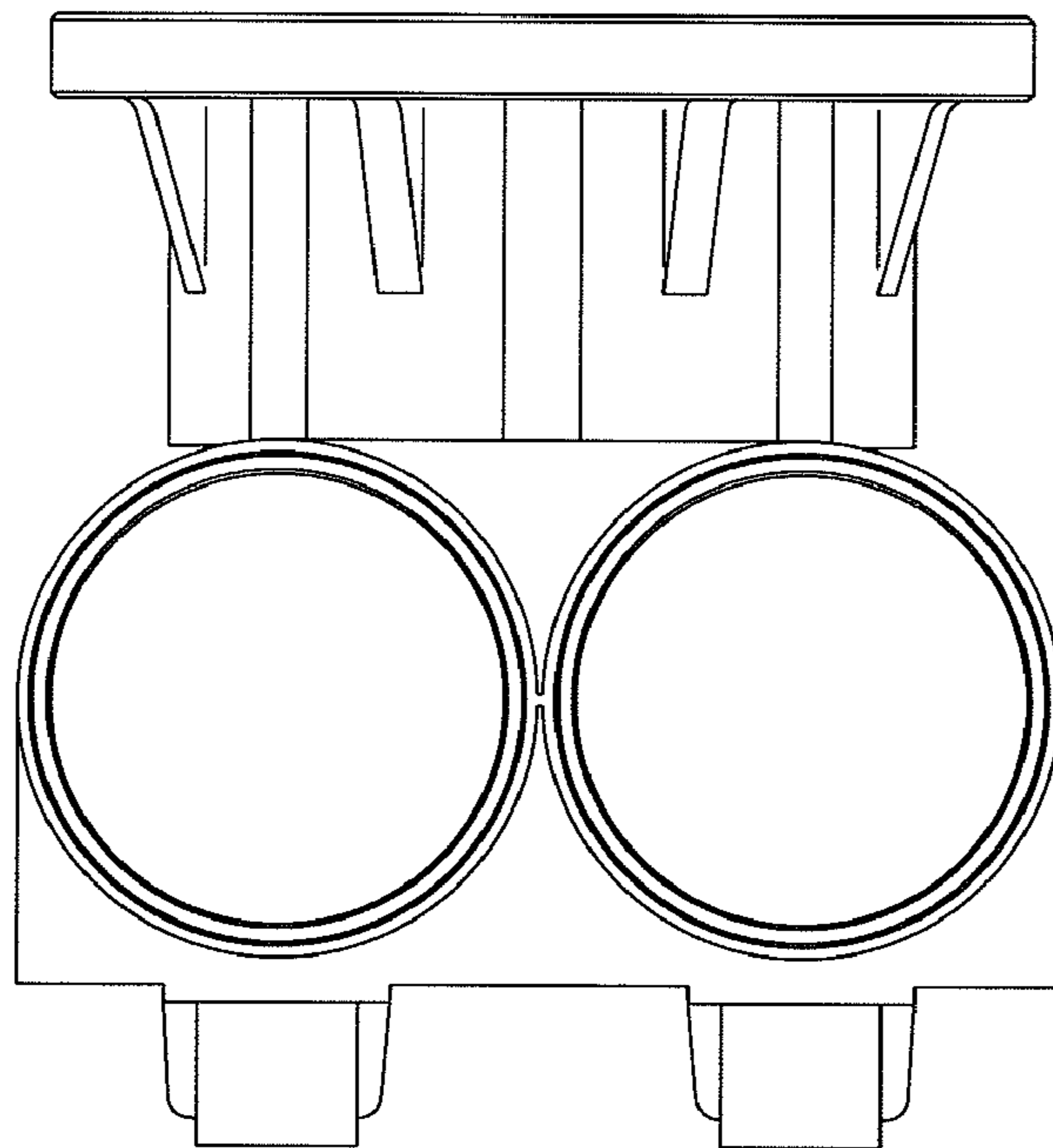


Figure 6

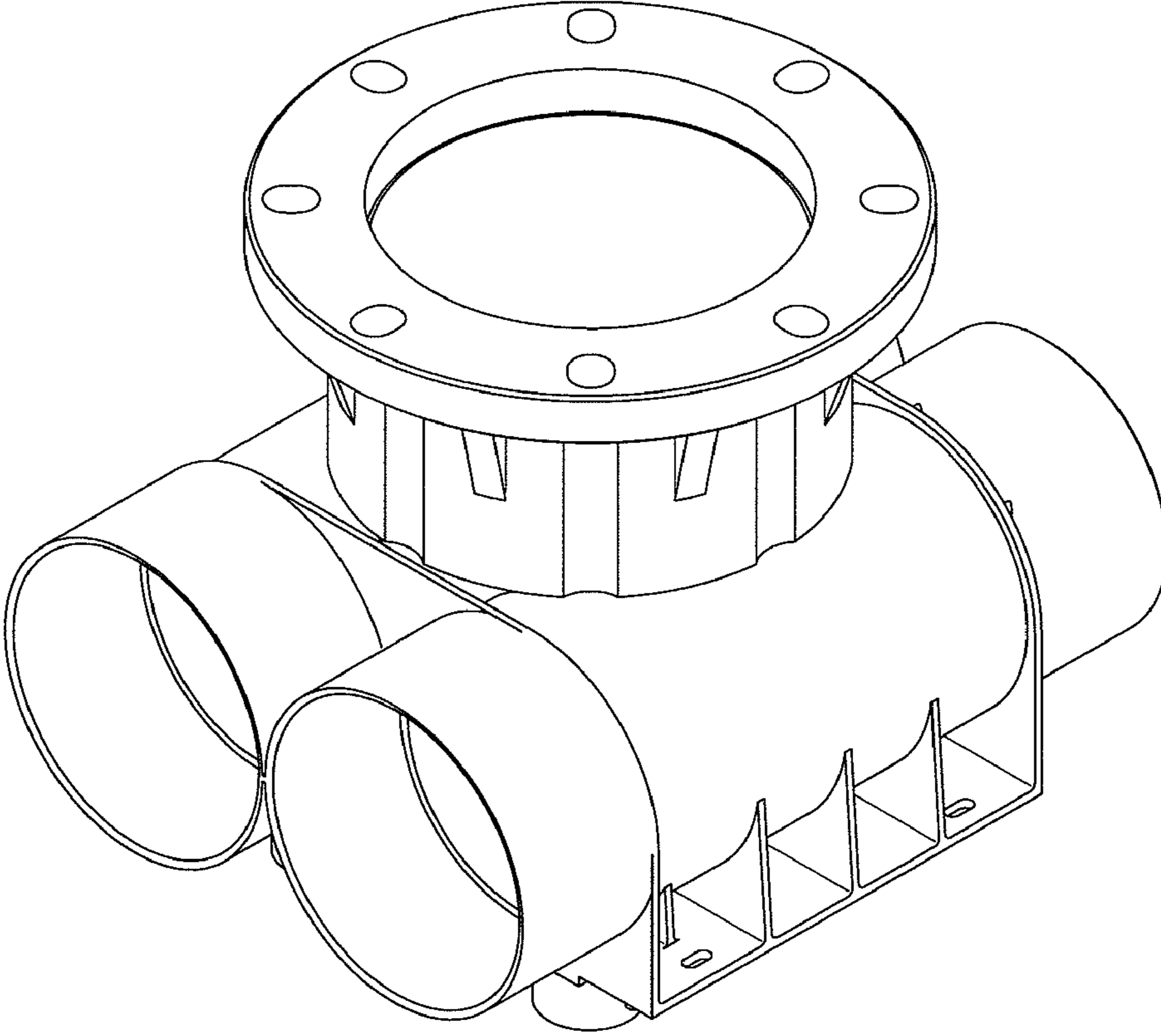


Figure 7

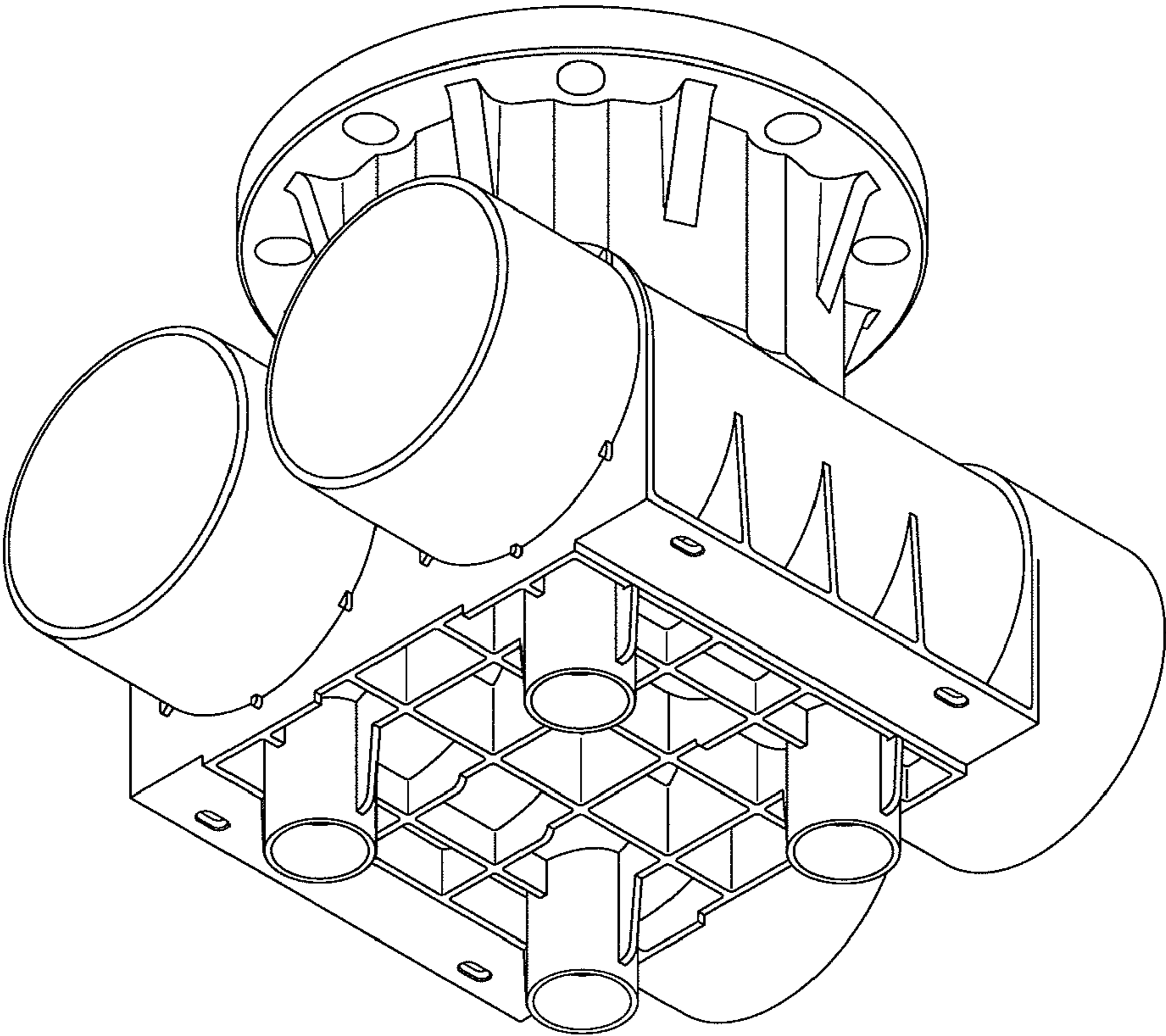


Figure 8

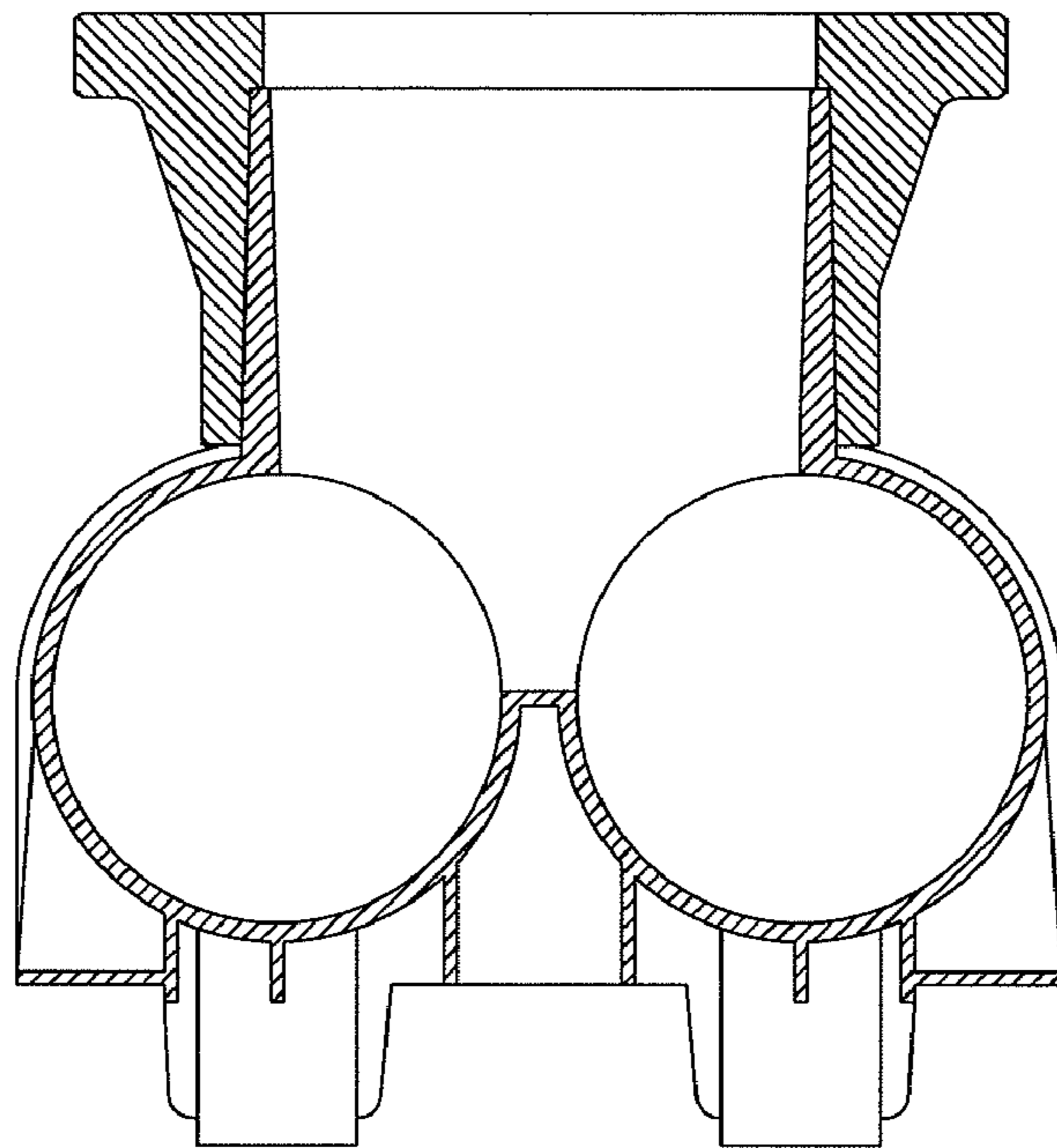


Figure 9

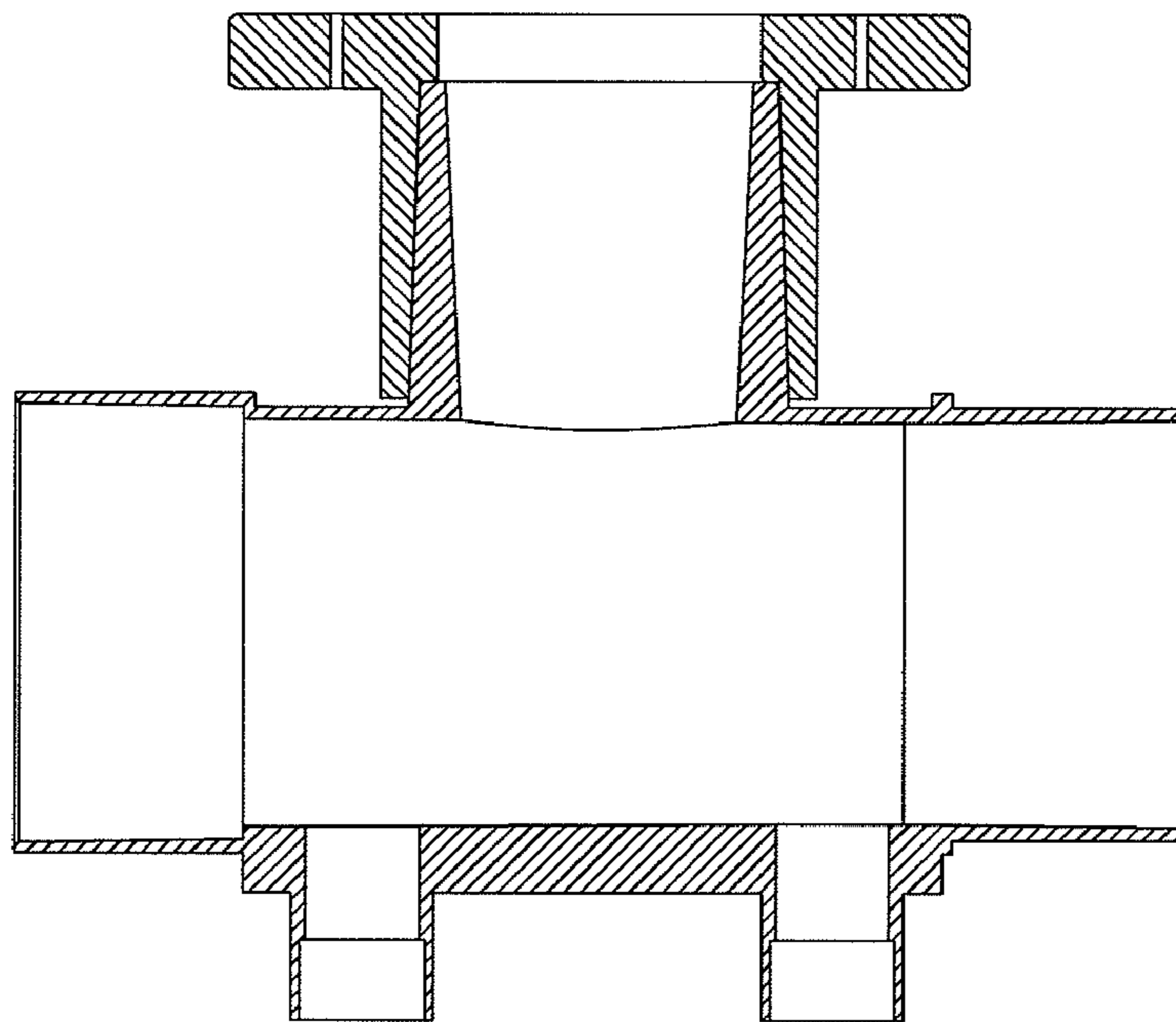


Figure 10

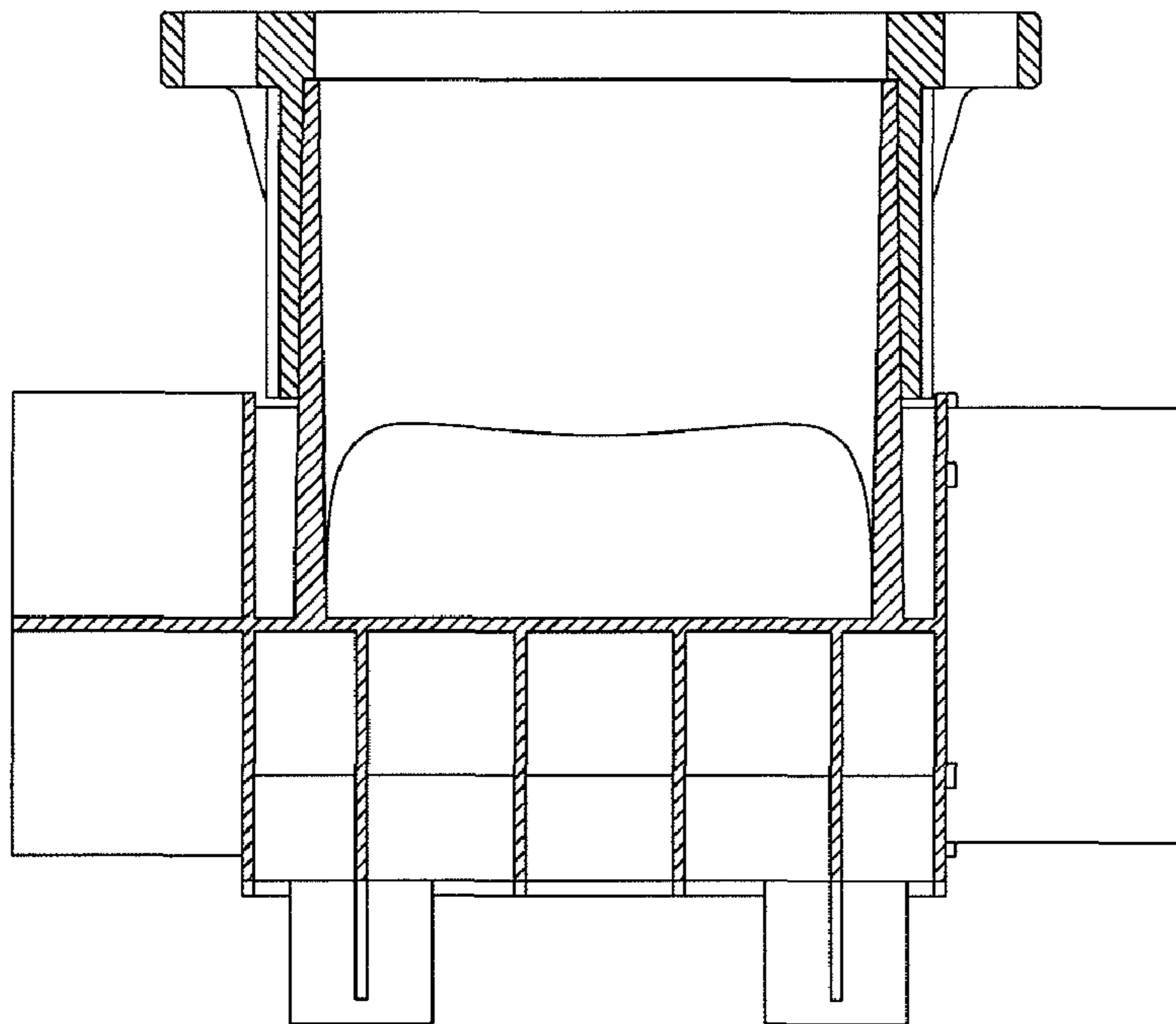


Figure 11

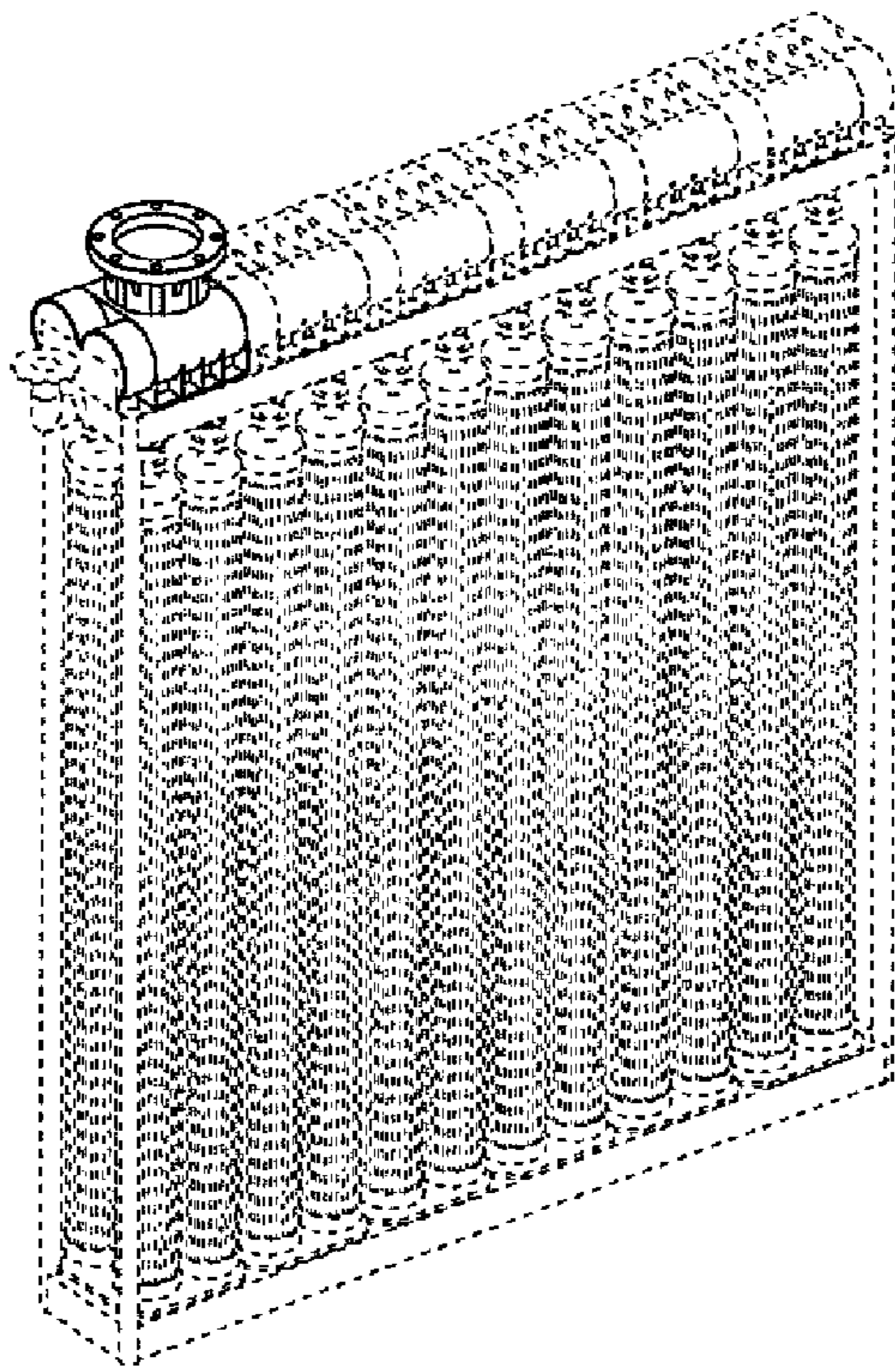


Figure 12