



US00D669966S

(12) **United States Design Patent**
Claussen

(10) **Patent No.:** **US D669,966 S**
(45) **Date of Patent:** **** Oct. 30, 2012**

(54) **SPRAY HOOD**

(75) Inventor: **Steven W. Claussen**, Glenwood, MN
(US)

(73) Assignee: **Alternative Energy, Inc.**, Willmar, MN
(US)

(**) Term: **14 Years**

(21) Appl. No.: **29/396,580**

(22) Filed: **Jul. 1, 2011**

(51) **LOC (9) Cl.** **23-01**

(52) **U.S. Cl.** **D23/227**

(58) **Field of Classification Search** D23/213,
D23/214, 227; 239/159, 288, 288.5; 47/1.7
See application file for complete search history.

(56) **References Cited**

U.S. PATENT DOCUMENTS

| | | | |
|-----------|---|---------|------------------|
| 556,447 | A | 3/1896 | Van Deusen |
| 1,527,669 | A | 2/1925 | Camp |
| 1,669,435 | A | 5/1928 | Wheeler |
| 2,641,505 | A | 6/1953 | Valois |
| 4,379,522 | A | 4/1983 | Elliott et al. |
| 4,441,655 | A | 4/1984 | Blumhardt |
| 4,456,180 | A | 6/1984 | Lury |
| 4,634,051 | A | 1/1987 | Dudley |
| 4,711,398 | A | 12/1987 | Ganderton et al. |
| 4,736,888 | A | 4/1988 | Fasnacht |
| 4,947,581 | A | 8/1990 | Claussen et al. |
| 5,069,090 | A | 12/1991 | Clark |
| 5,155,933 | A | 10/1992 | Claussen et al. |
| 5,156,338 | A | 10/1992 | Borland et al. |
| 5,248,090 | A | 9/1993 | Williamson |
| 5,371,969 | A | 12/1994 | Claussen et al. |
| D356,629 | S | 3/1995 | Claussen et al. |
| 5,398,874 | A | 3/1995 | Dailey |
| 5,520,335 | A | 5/1996 | Claussen et al. |
| 5,526,605 | A | 6/1996 | O'Dougherty |

| | | | |
|-----------|------|--------|-----------------------|
| D372,298 | S | 7/1996 | Claussen et al. |
| 6,047,901 | A | 4/2000 | Pederson et al. |
| 6,334,578 | B1 * | 1/2002 | House 239/288.5 |
| 6,705,546 | B2 | 3/2004 | Bosch |

FOREIGN PATENT DOCUMENTS

| | | |
|----|---------|--------|
| CA | 689054 | 6/1964 |
| FR | 1314571 | 1/1963 |

OTHER PUBLICATIONS

“94-95” catalog illustrating “Hose Shank Nozzle Bodies and Vari-Spacing Clamps,” p. 61; Custom AG Products, Inc., Benson, MN; 1 page.

* cited by examiner

Primary Examiner — Robin V Webster

(74) *Attorney, Agent, or Firm* — Muetting, Raasch & Gebhardt, P.A.

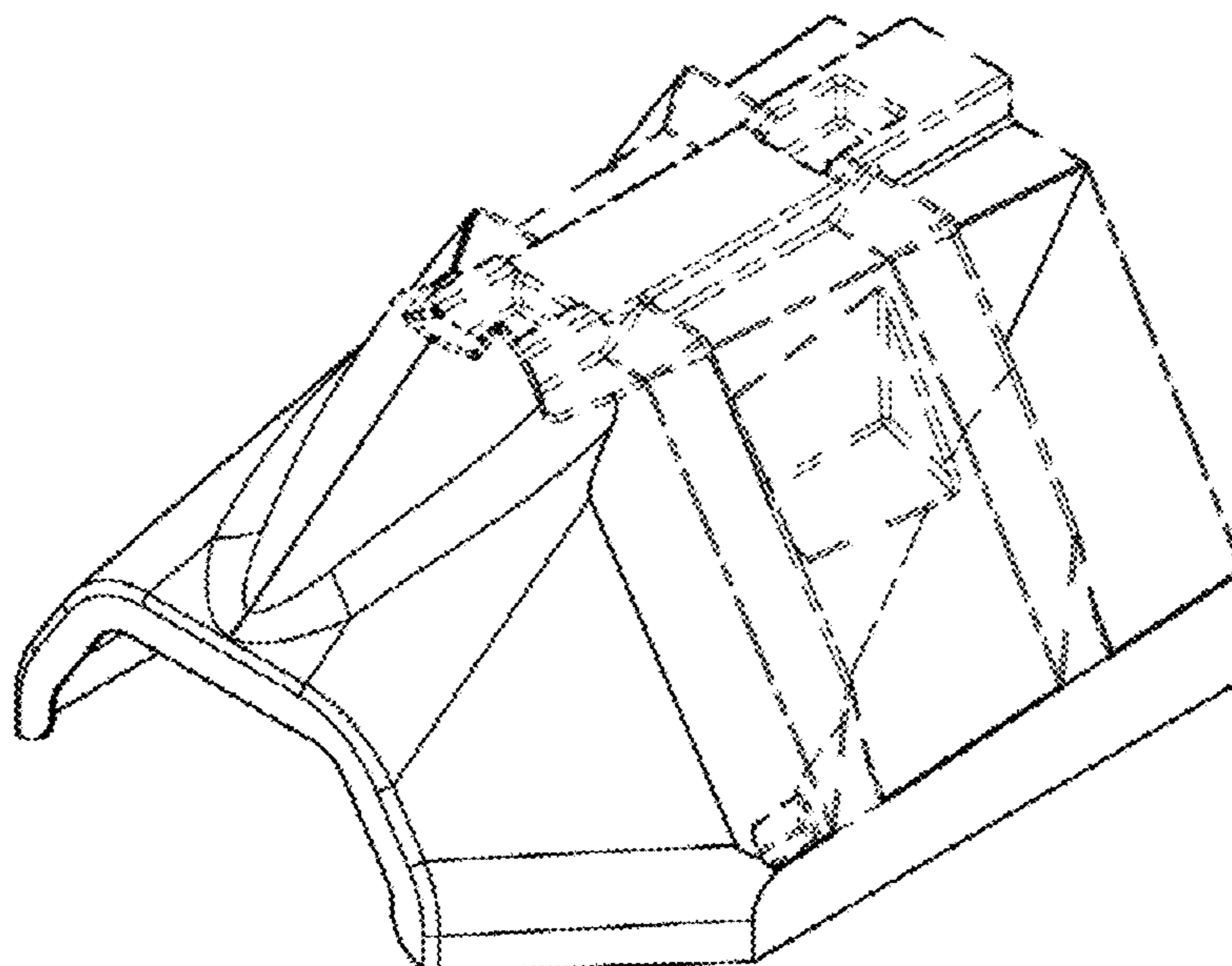
(57) **CLAIM**

The ornamental design for a spray hood, as shown and described.

DESCRIPTION

FIG. 1 is an upper perspective view of a spray hood; FIG. 2 is a front elevation view of the spray hood of FIG. 1; FIG. 3 is a rear elevation view of the spray hood of FIG. 1; FIG. 4 is a left side elevation view of the spray hood of FIG. 1; FIG. 5 is a right side elevation view of the spray hood of FIG. 1; FIG. 6 is a top plan view of the spray hood of FIG. 1; and, FIG. 7 is a bottom plan view of the spray hood of FIG. 1. The broken lines immediately adjacent areas of the design represent the bounds of the claimed design while other broken lines are directed to environment and are for illustrative purposes only; features illustrated in broken lines form no part of the claimed design.

1 Claim, 7 Drawing Sheets



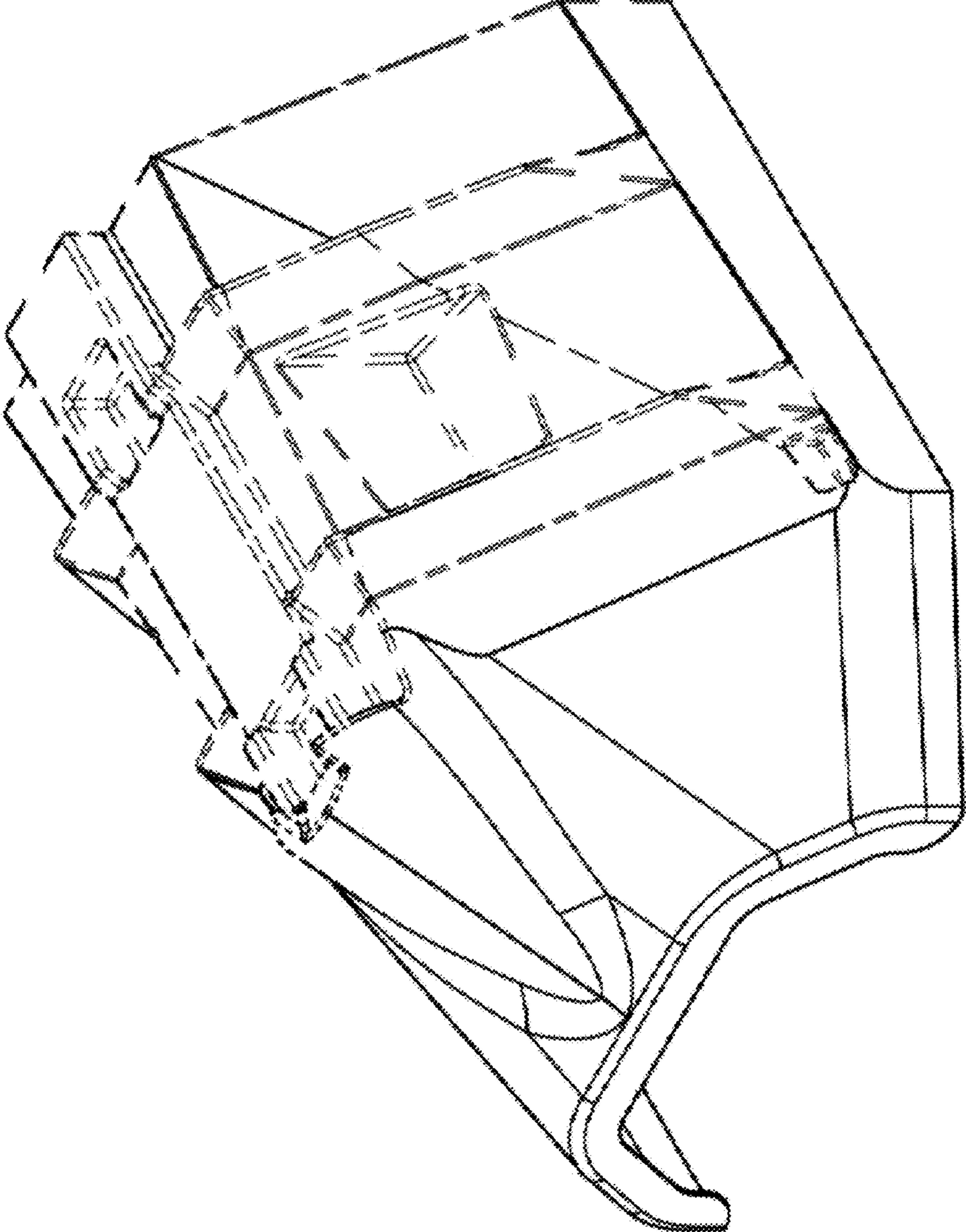


Fig. 1

Fig. 2

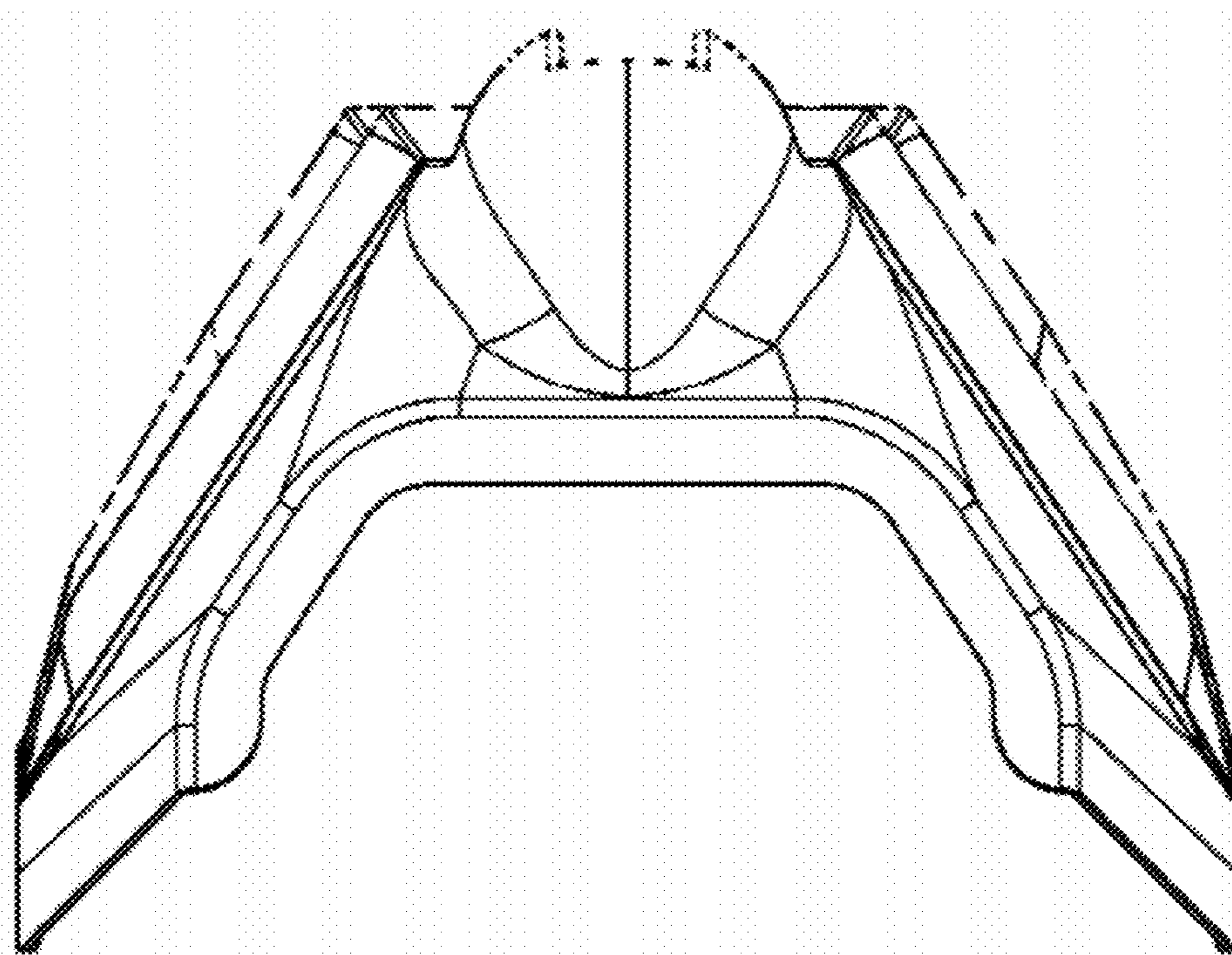
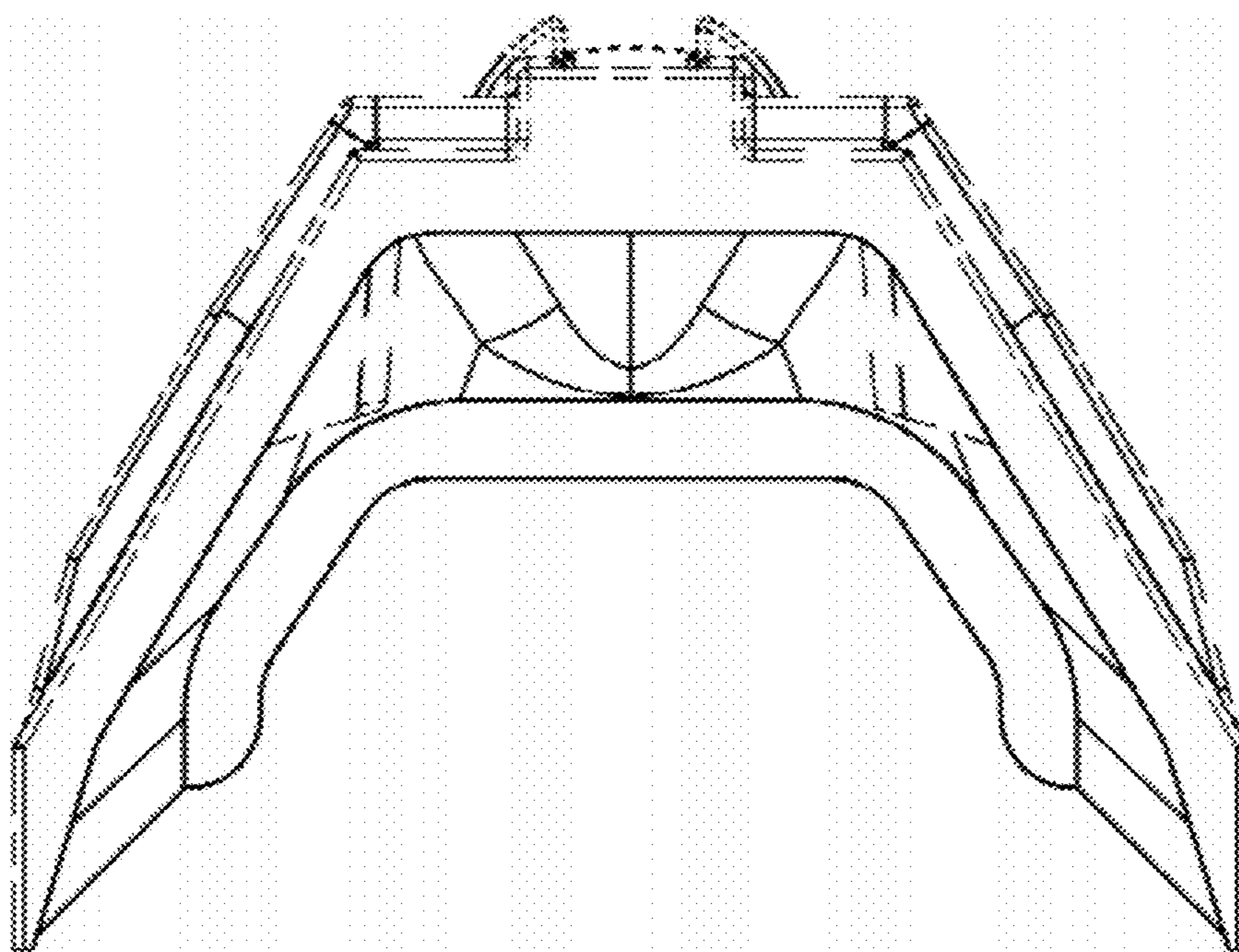


Fig. 3



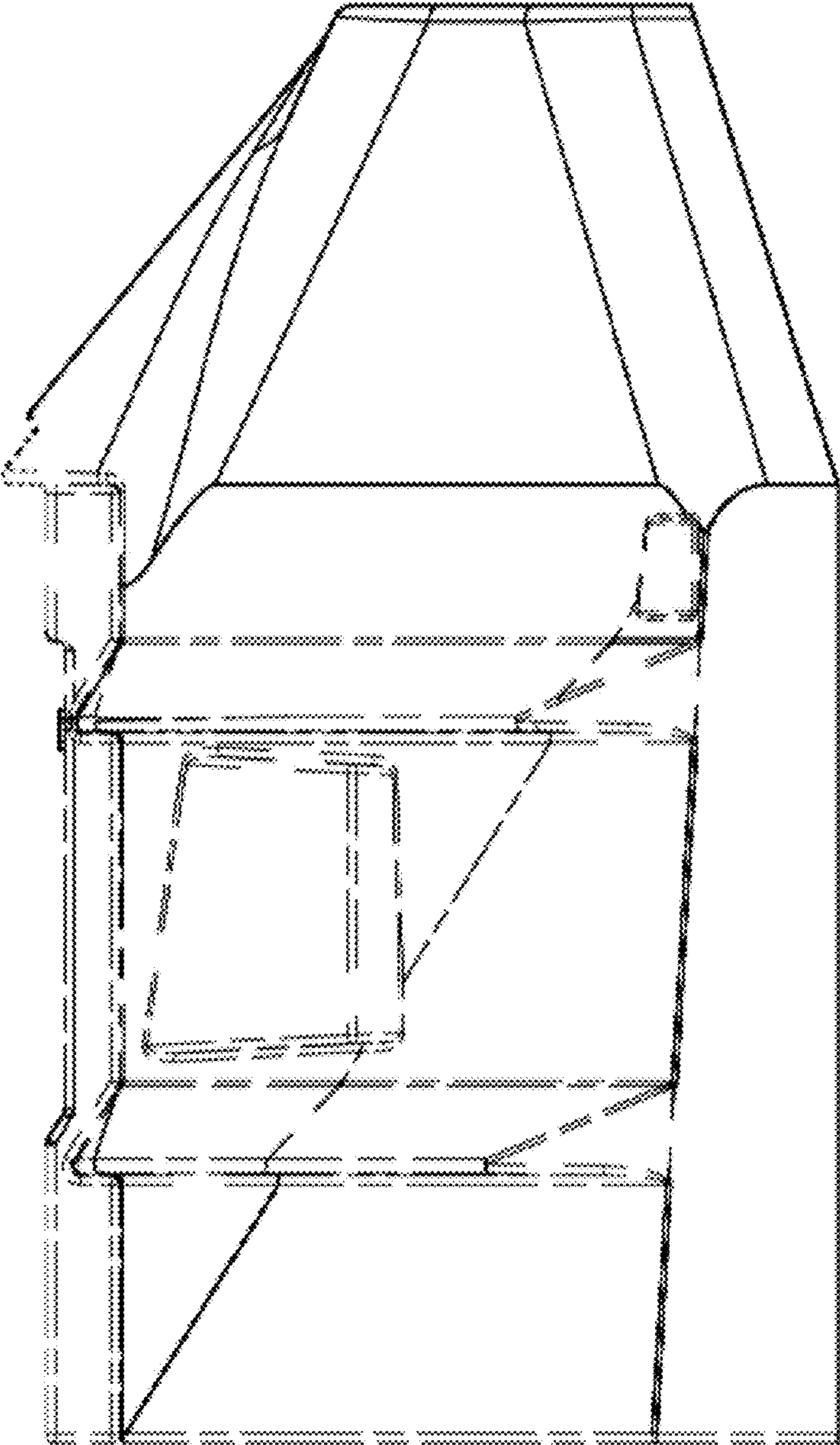


Fig. 4

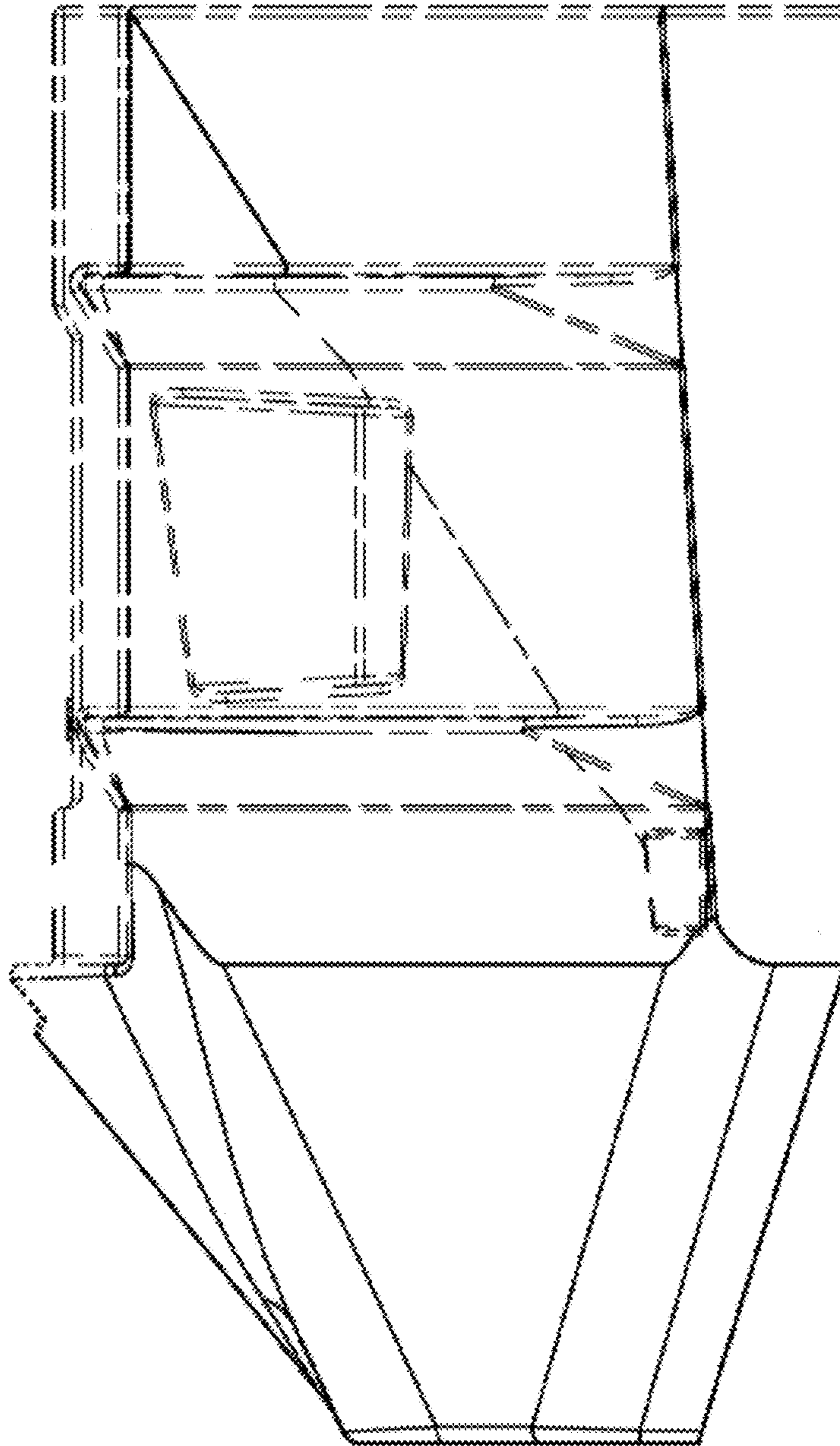


Fig. 5

Fig. 6

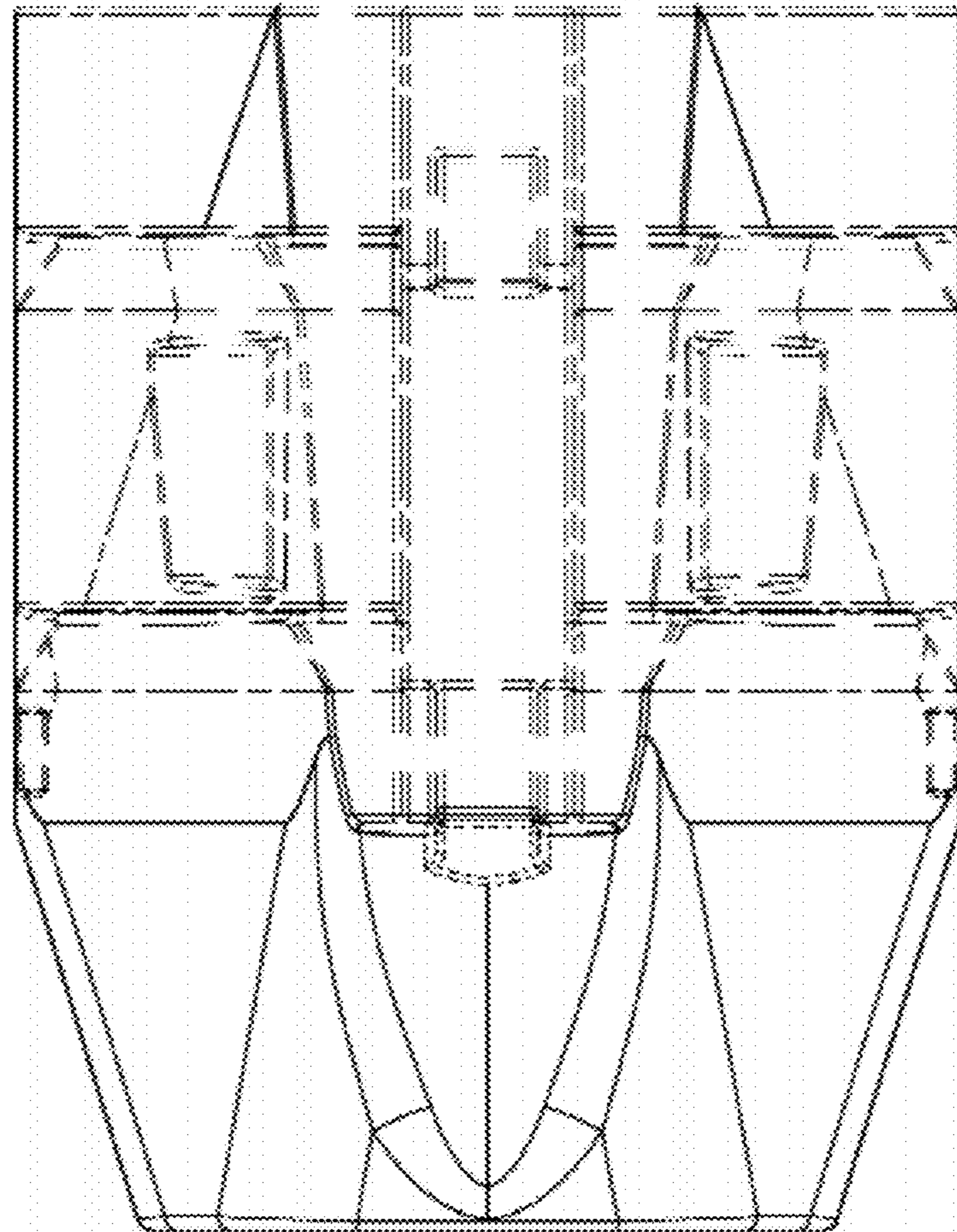


Fig. 7

