

US00D669964S

(12) **United States Design Patent**
Arkalgud et al.

(10) **Patent No.:** **US D669,964 S**
(45) **Date of Patent:** **** Oct. 30, 2012**

(54) **IRRIGATION HOUSING COMPONENT**

(75) Inventors: **Krishnaditya G. Arkalgud**, Sahuarita, AZ (US); **Gregory S. Palumbo**, Tucson, AZ (US); **Kenneth J. Skripkar**, Tucson, AZ (US)

(73) Assignee: **Rain Bird Corporation**, Azusa, CA (US)

(**) Term: **14 Years**

(21) Appl. No.: **29/379,106**

(22) Filed: **Nov. 15, 2010**

(51) **LOC (9) Cl.** **23-01**

(52) **U.S. Cl.** **D23/214**

(58) **Field of Classification Search** D23/214,
D23/217, 218; 239/200, 201, 203, 71, 73;
4/490

See application file for complete search history.

(56) **References Cited**

U.S. PATENT DOCUMENTS

3,613,995	A *	10/1971	Kane	239/200
4,108,439	A	8/1978	McGuire		
4,130,247	A	12/1978	Healy		
D276,453	S *	11/1984	DeVroom	D23/214
D319,489	S *	8/1991	Han et al.	D23/214
5,456,411	A	10/1995	Scott et al.		
5,868,316	A	2/1999	Scott		
6,264,117	B1 *	7/2001	Roman	239/203
D456,224	S	4/2002	Lancaster		
6,643,857	B1 *	11/2003	Kenna et al.	4/490
6,942,164	B2 *	9/2005	Walker	239/204
6,957,782	B2 *	10/2005	Clark et al.	239/200
D516,669	S *	3/2006	Antonucci et al.	D23/214
7,303,153	B2 *	12/2007	Han et al.	239/461
D596,839	S	7/2009	Badamo		
7,617,994	B2 *	11/2009	Gunderson et al.	239/288.5
7,621,467	B1 *	11/2009	Garcia	239/457
D613,614	S	4/2010	Rodriguez et al.		
D615,868	S	5/2010	Rodriguez et al.		
D616,962	S *	6/2010	Allen et al.	D23/214

2004/0262426	A1	12/2004	Antonucci et al.
2008/0296406	A1	12/2008	Gauthier, III
2009/0084869	A1	4/2009	Lin
2009/0188991	A1	7/2009	Russell et al.

OTHER PUBLICATIONS

Webpage RainBird 1800-PRS Series Spray Heads (<http://www.rainbird.com/landscape/products/sprayBodies/1800PRS.htm>), 2 pages. This product was publicly disclosed at least one year prior to the filing date of the above identified application.

Webpage RainBird 1800-SAM Series Spray Heads (<http://www.rainbird.com/landscape/products/sprayBodies/1800SAM.htm>), 2 pages. This product was publicly disclosed at least one year prior to the filing date of the above identified application.

(Continued)

Primary Examiner — Robin V Webster

(74) *Attorney, Agent, or Firm* — Fitch, Even, Tabin & Flannery, LLP

(57) **CLAIM**

I claim the ornamental design for an irrigation housing component, as shown and described.

DESCRIPTION

FIG. 1 is a top perspective view of an irrigation housing component showing our design;

FIG. 2 is a top view thereof;

FIG. 3 is a front view thereof;

FIG. 4 is a rear view thereof;

FIG. 5 is a left side view thereof, the right side being a mirror image;

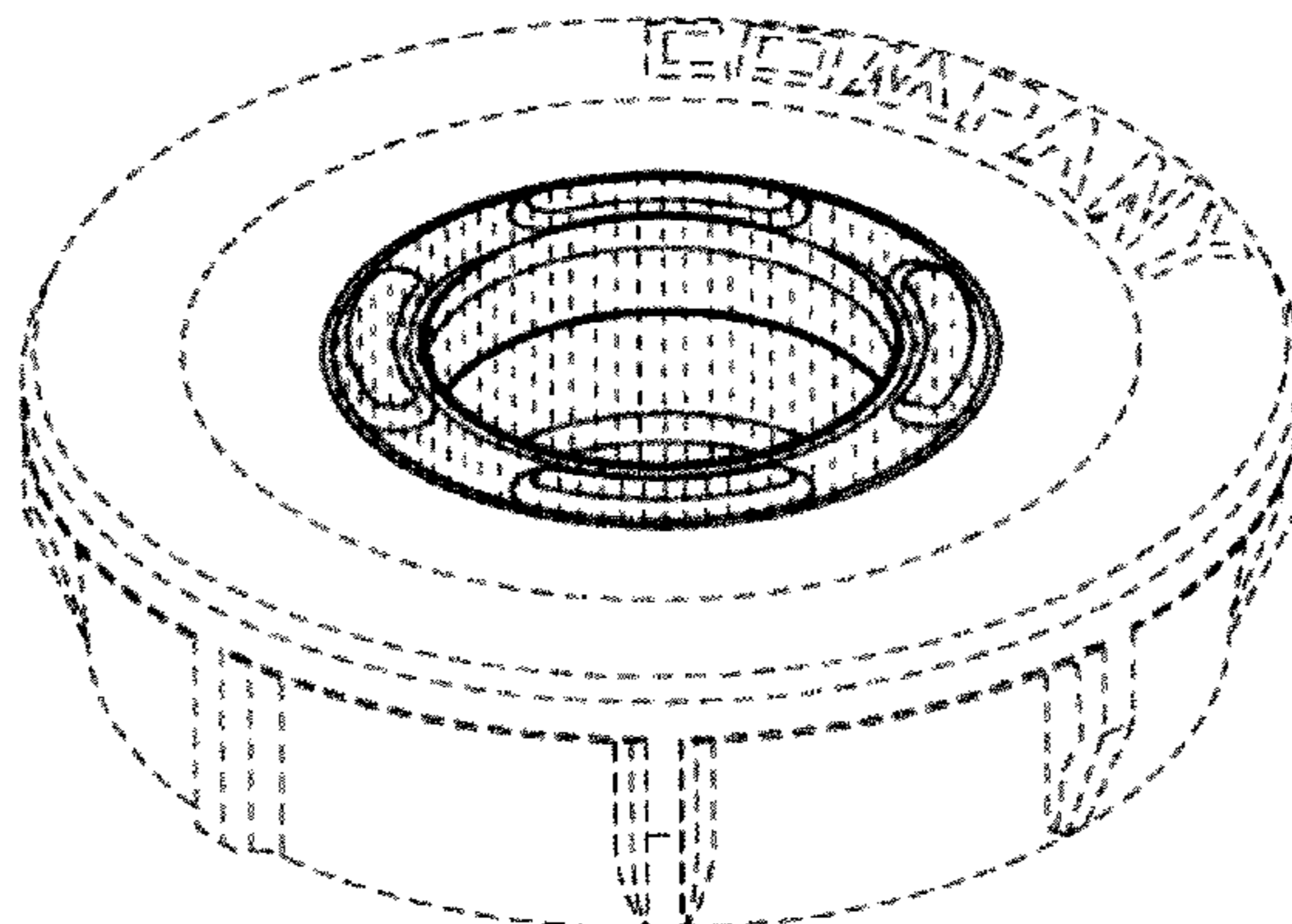
FIG. 6 is a bottom view thereof; and,

FIG. 7 is a bottom perspective view thereof.

A portion of the drawings are shaded for color using the symbol in the tables of MPEP § 608.02 for the color "Violet or Purple." For portions of the drawings that are not shaded with such symbol, no specific color is claimed.

The broken line showing is included for the purpose of illustrating and forms no part of the claimed design.

1 Claim, 3 Drawing Sheets



OTHER PUBLICATIONS

Webpage RainBird 1800-SAM-PRS Series Spray Heads (http://www.rainbird.com/landscape/products/sprayBodies/1800SAM_PRS.htm), 2 pages. This product was publicly disclosed at least one year prior to the filing date of the above identified application.

Webpage ProPlus RCW (<http://www.krain.com/index.cfm?fuseaction=wastewater.onsite&CFID=222289412&CFTOKEN=50097590>), 2 pages. This product was publicly disclosed at least one year prior to the filing date of the above identified application.

Webpage "Reclaimed Water Products" (http://www.hunterindustries.com/Products/Miscellaneous/reclaimed_water.html), 2 pages. This product was publicly disclosed at least one year prior to the filing date of the above identified application.

Webpage "RainBird: Landscape Irrigation Spray Bodies" (<http://www.rainbird.com/landscape/products/sprayBodies/index.htm>), 2 pages. This product was publicly disclosed at least one year prior to the filing date of the above identified application.

Webpage RainBird 1800-SAM-P45-Series (http://www.rainbird.com/landscape/products/sprayBodies/1800SAM_P45.htm), 1 page.

This product was publicly disclosed at least one year prior to the filing date of the above identified application.

Webpage RainBird US NP Cover—Non-Potable 1800 Series Cover (http://www.rainbird.com/landscape/products/sprayBodies/US_NPcover.htm), 1 page. This product was publicly disclosed at least one year prior to the filing date of the above identified application.

Webpage RainBird 1800 NP Cover—Non-Potable 1800 Series Cover (<http://www.rainbird.com/landscape/products/sprayBodies/1800NPcover.htm>), 1 page. This product was publicly disclosed at least one year prior to the filing date of the above identified application.

Webpage RainBird 1800 VPC Vandal Proof Cap (<http://www.rainbird.com/landscape/products/sprayBodies/1800VPC/htm>), 1 page. This product was publicly disclosed at least one year prior to the filing date of the above identified application.

Webpage RainBird 1800 Series—Pop-up Spray Head Sprinklers (<http://www.rainbird.com/homeowner/products/sprays/1800.htm>), 1 page. This product was publicly disclosed at least one year prior to the filing date of the above identified application.

* cited by examiner

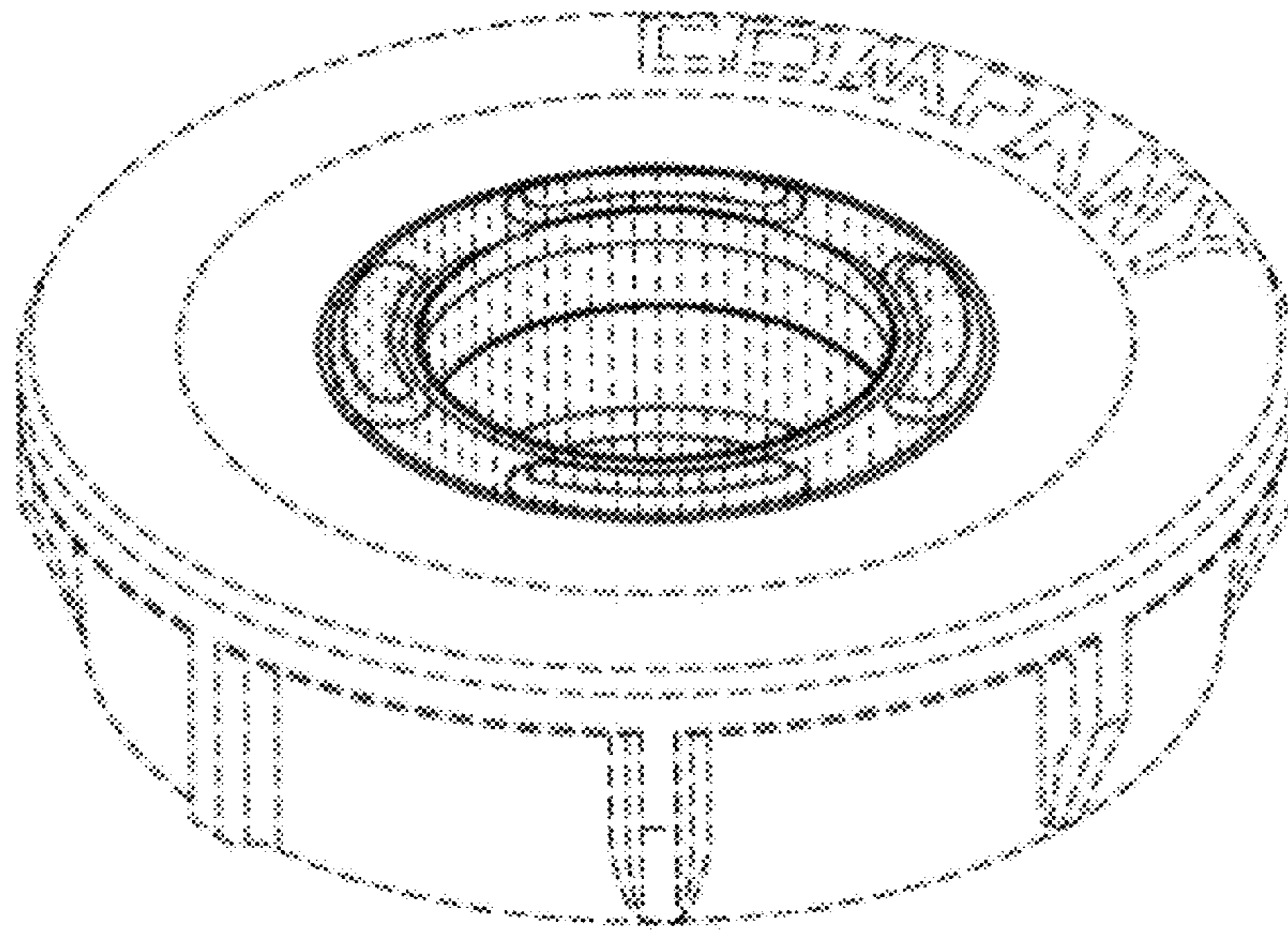


FIG. 1

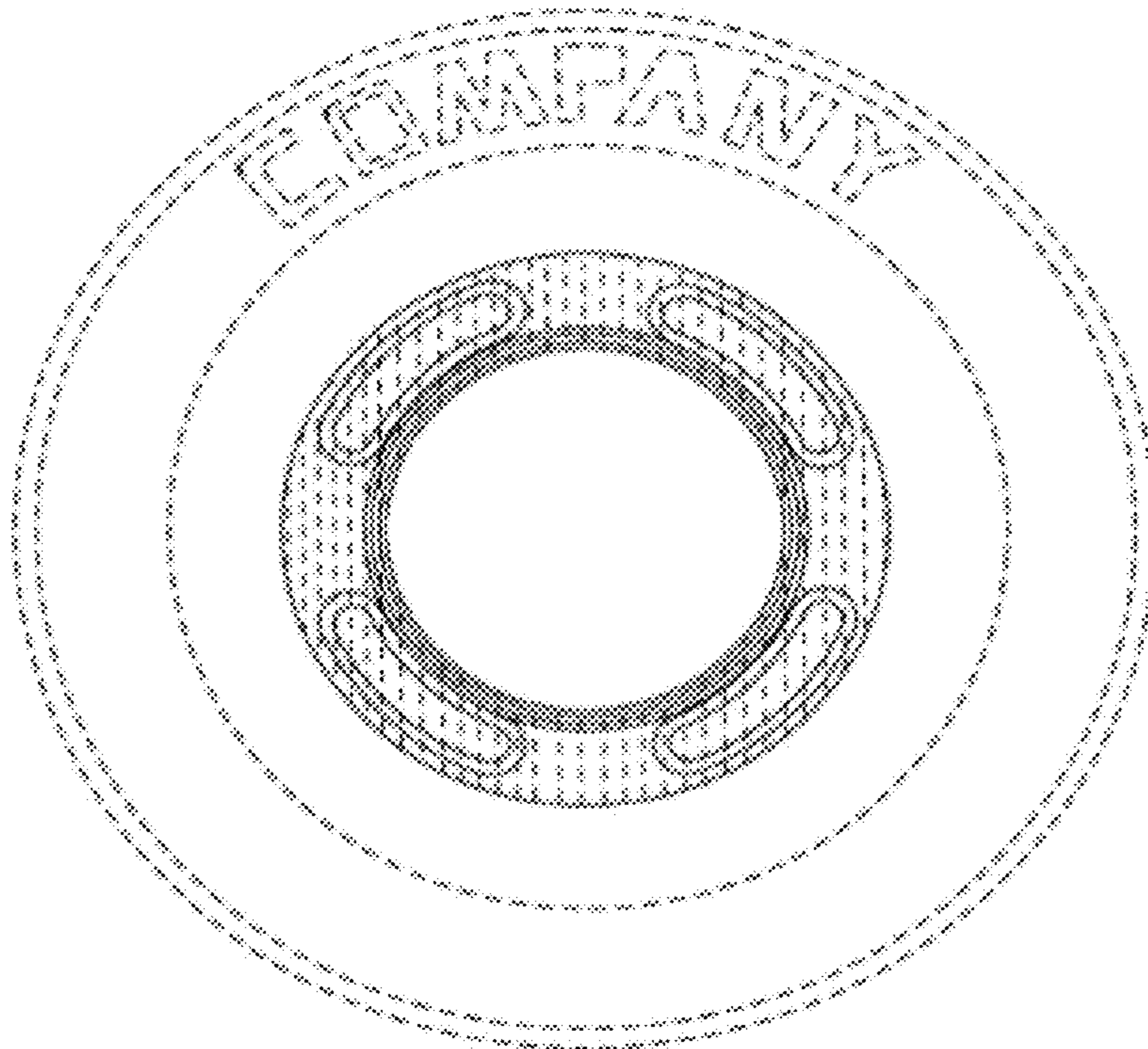


FIG. 2

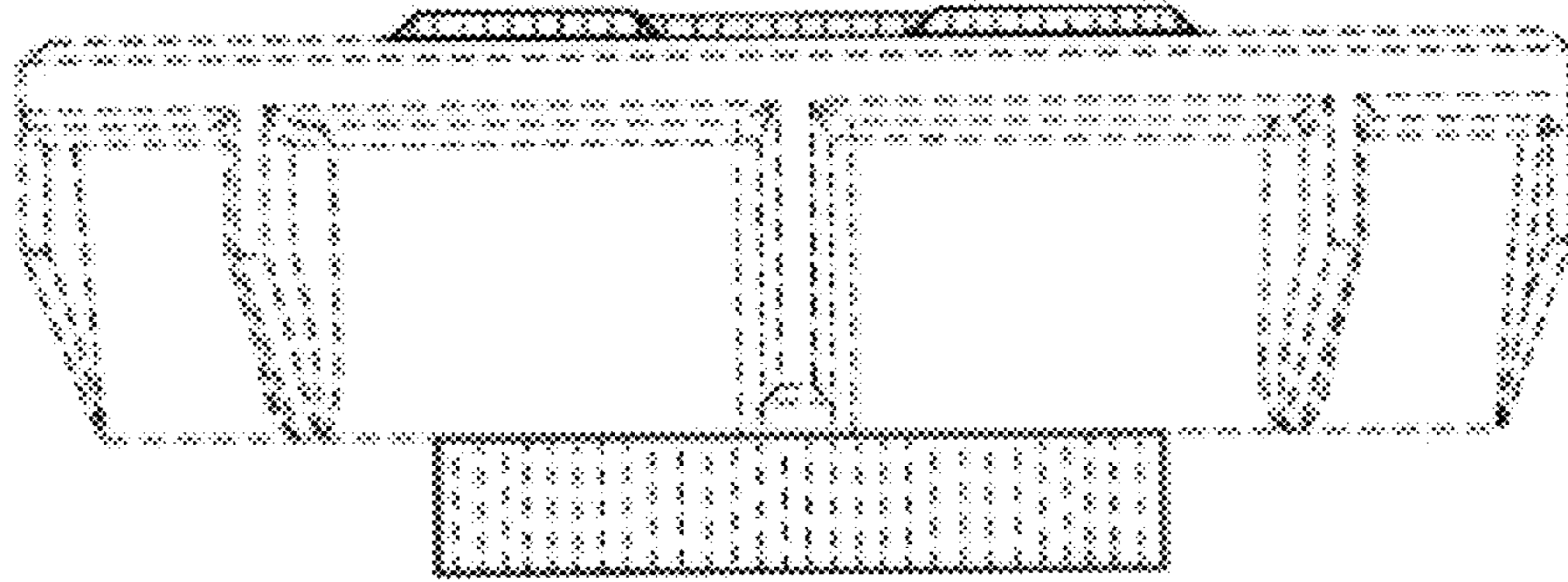


FIG. 3

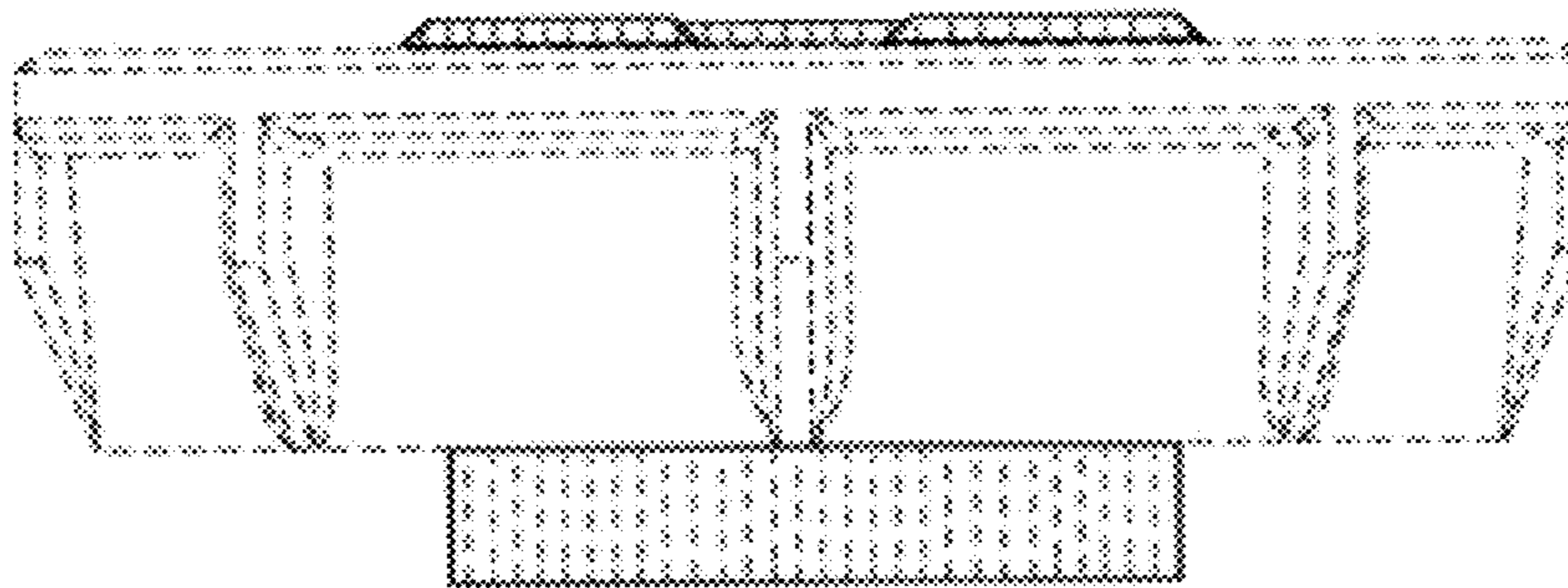


FIG. 4

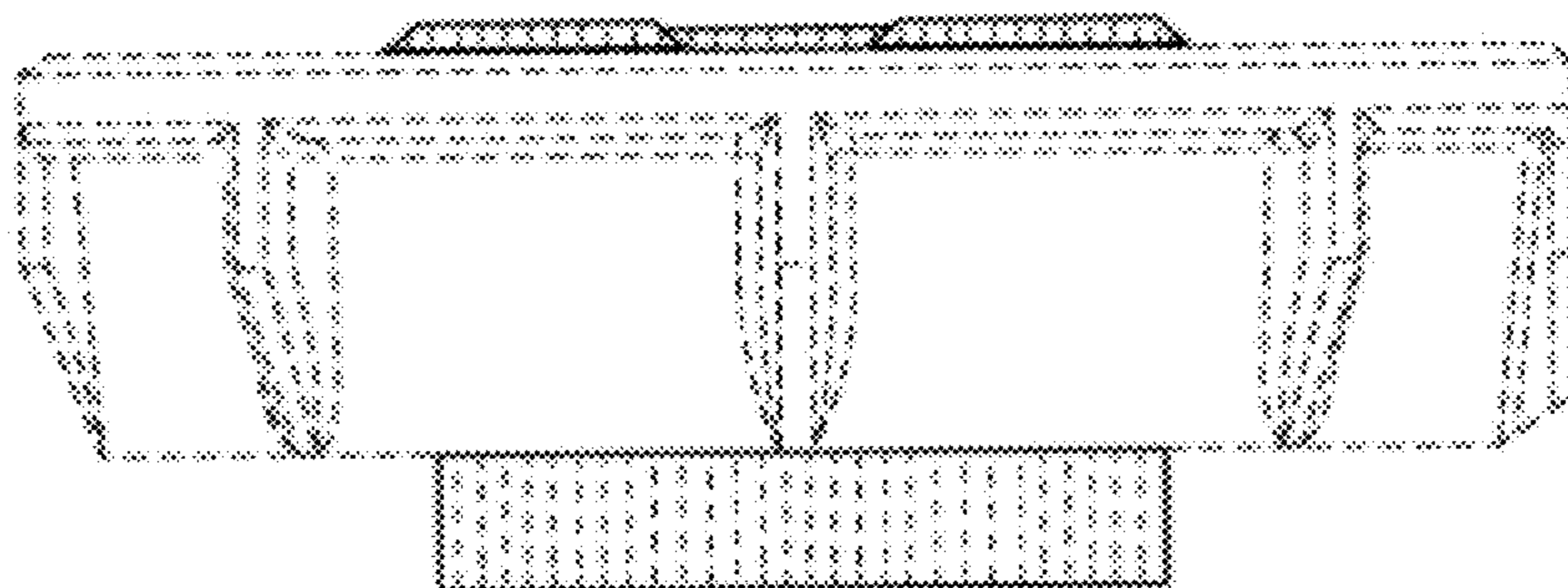


FIG. 5

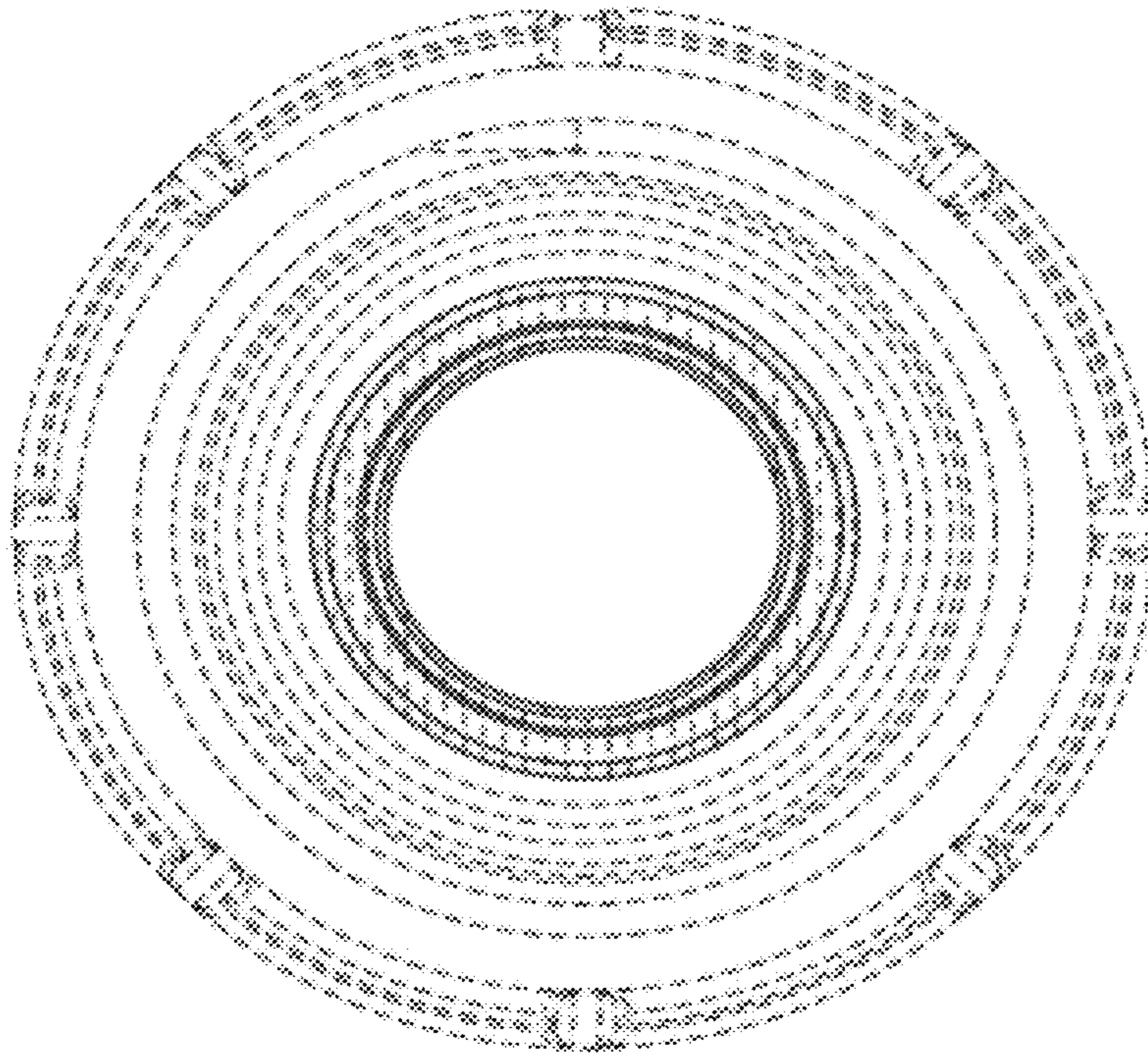


FIG. 6

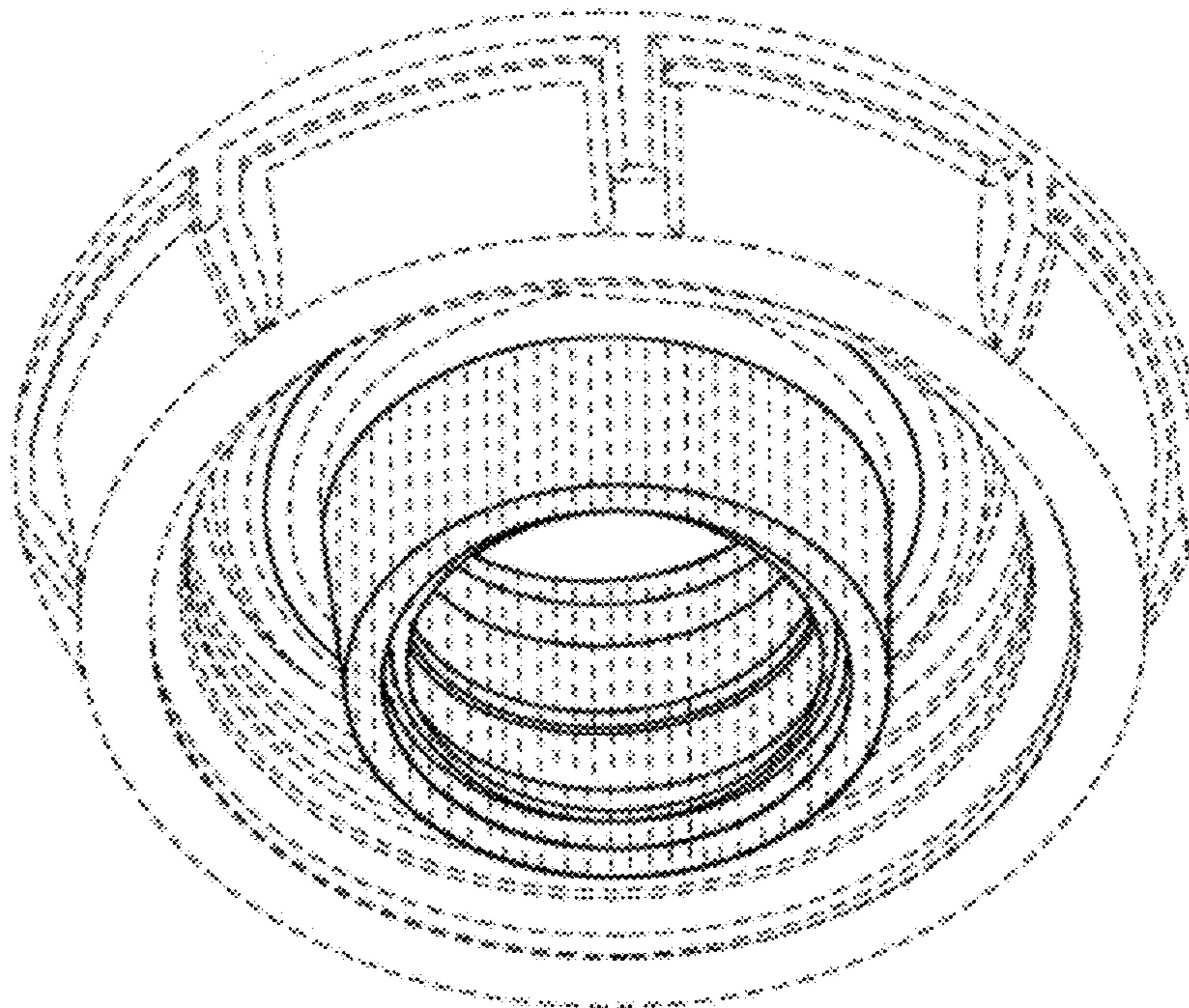


FIG. 7