



US00D669962S

(12) **United States Design Patent**
Schoenherr et al.

(10) **Patent No.:** **US D669,962 S**

(45) **Date of Patent:** **** Oct. 30, 2012**

(54) **SHOWERHEAD**

(75) Inventors: **Tom Schoenherr**, Stuttgart (DE); **Marco Flaig**, Stuttgart (DE)

(73) Assignee: **Hansgrohe SE**, Schiltach (DE)

(**) Term: **14 Years**

(21) Appl. No.: **29/414,102**

(22) Filed: **Feb. 24, 2012**

(30) **Foreign Application Priority Data**

Sep. 1, 2011 (EM) 001291603-0001

(51) **LOC (9) Cl.** **23-01**

(52) **U.S. Cl.** **D23/213**

(58) **Field of Classification Search** D23/213,
D23/223, 229, 230; 239/282, 283; 4/615
See application file for complete search history.

(56) **References Cited**

U.S. PATENT DOCUMENTS

D651,281 S * 12/2011 Lobermeier et al. D23/213
D658,269 S * 4/2012 Schoenherr et al. D23/213

OTHER PUBLICATIONS

Brochure—Aqualine Catalogo 2008 Upgrade, 3 pgs., Metaform
Lucchese S.p.A., Lucca, Italy (at least as early as Sep. 30, 2008).

Brochure—Collection, 3 pgs., Carlo Nobili S.p.A. Rubinetterie,
Borgomanero, Italy (at least as early as Sep. 29, 2009).

Brochure—Soft, 4 pgs., Zucchetti Rubinetteria S.p.A., Gozzano,
Italy (at least as early as Sep. 27, 2005).

* cited by examiner

Primary Examiner — Robin V Webster

(74) *Attorney, Agent, or Firm* — Nirav D. Parikh; Lora J.
Graentzdoerffer; Edgar A. Zarius

(57) **CLAIM**

The ornamental design for a showerhead, as shown and
described.

DESCRIPTION

FIG. 1 is a perspective view of a showerhead showing our
design;

FIG. 2 is a front elevational view thereof;

FIG. 3 is a rear elevational view thereof;

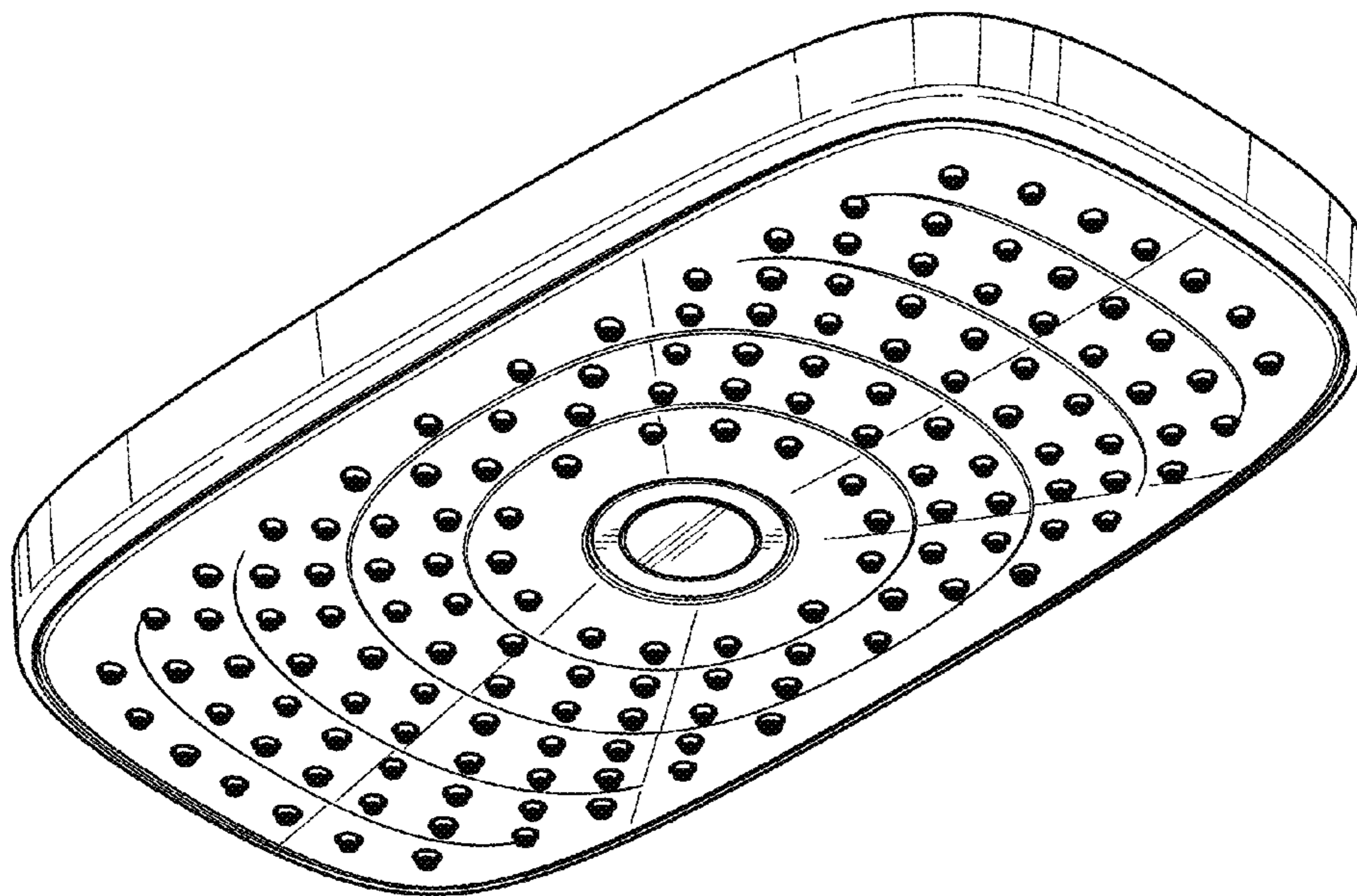
FIG. 4 is a left side elevational view thereof; the right side
elevational view being a mirror image thereof;

FIG. 5 is a top plan view thereof; and,

FIG. 6 is a bottom plan view thereof.

The broken-line disclosure in the views represents portions of
the article in which the claimed design is embodied, but which
form no part of the claimed design.

1 Claim, 6 Drawing Sheets



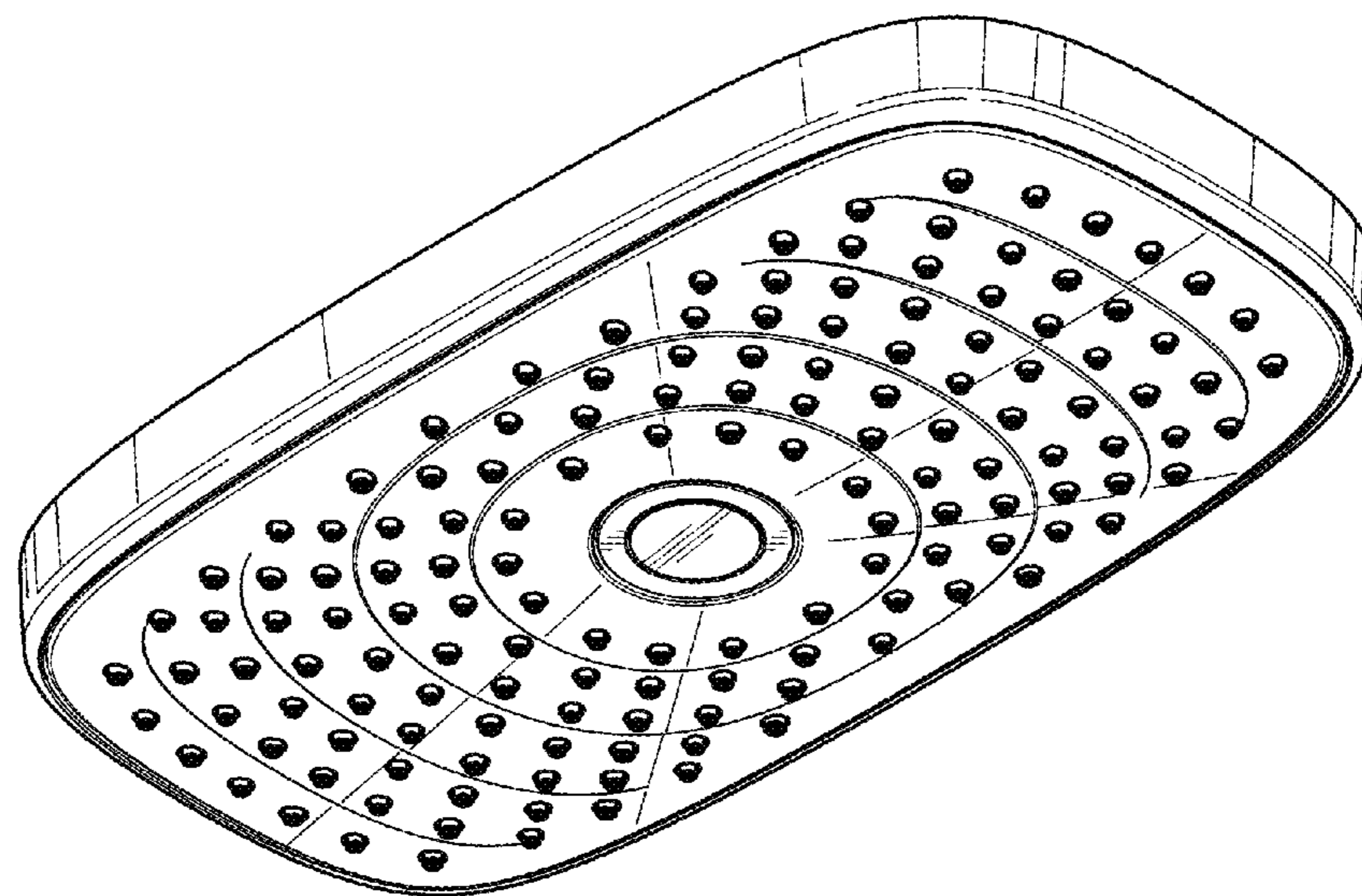


FIG. 1

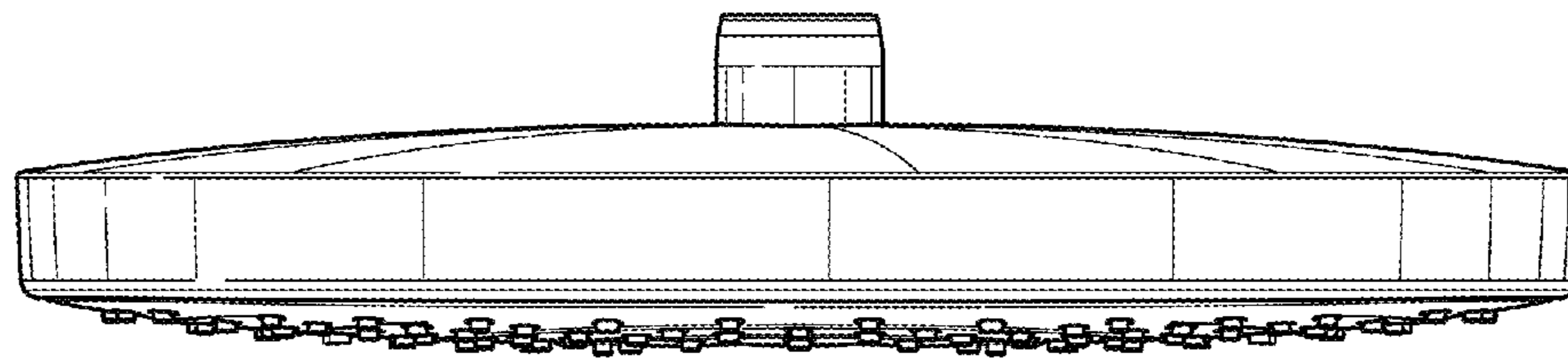


FIG. 2

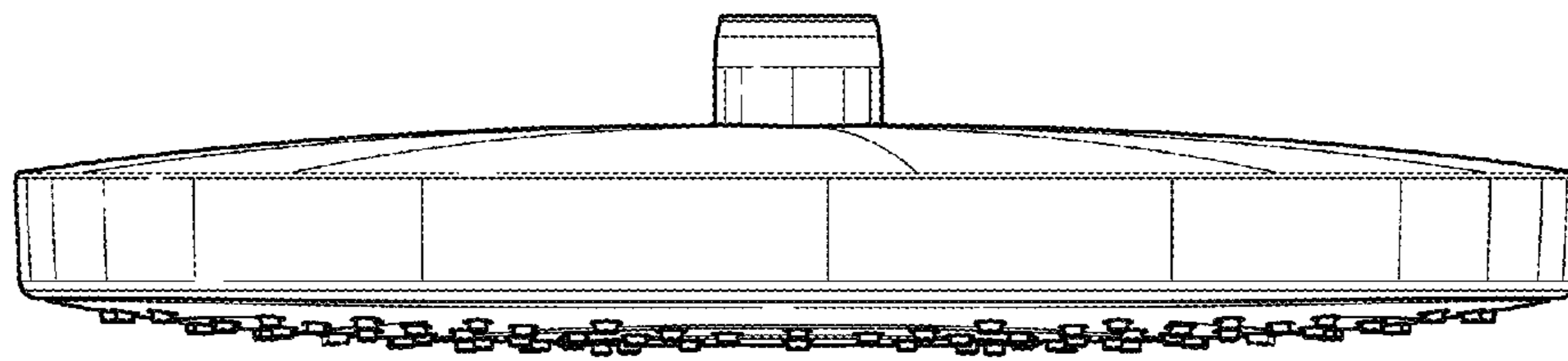


FIG. 3

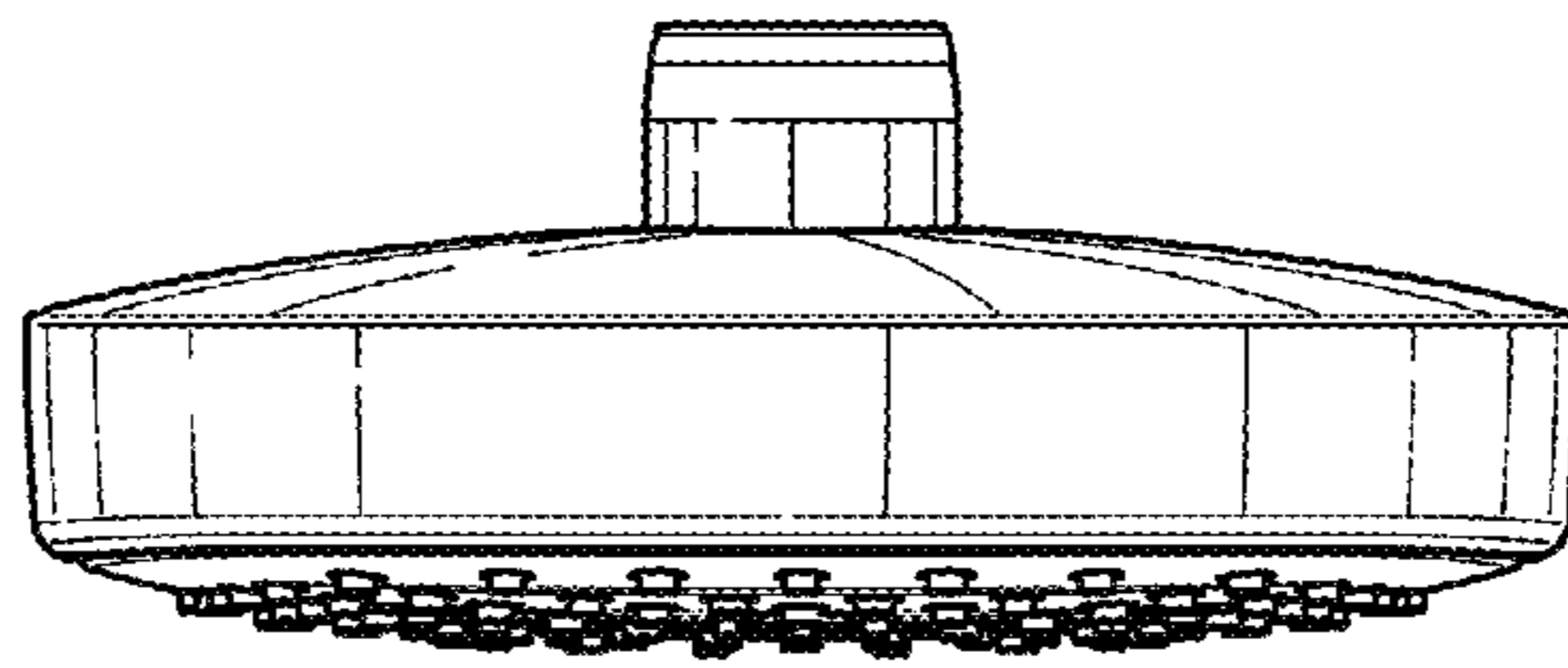


FIG. 4

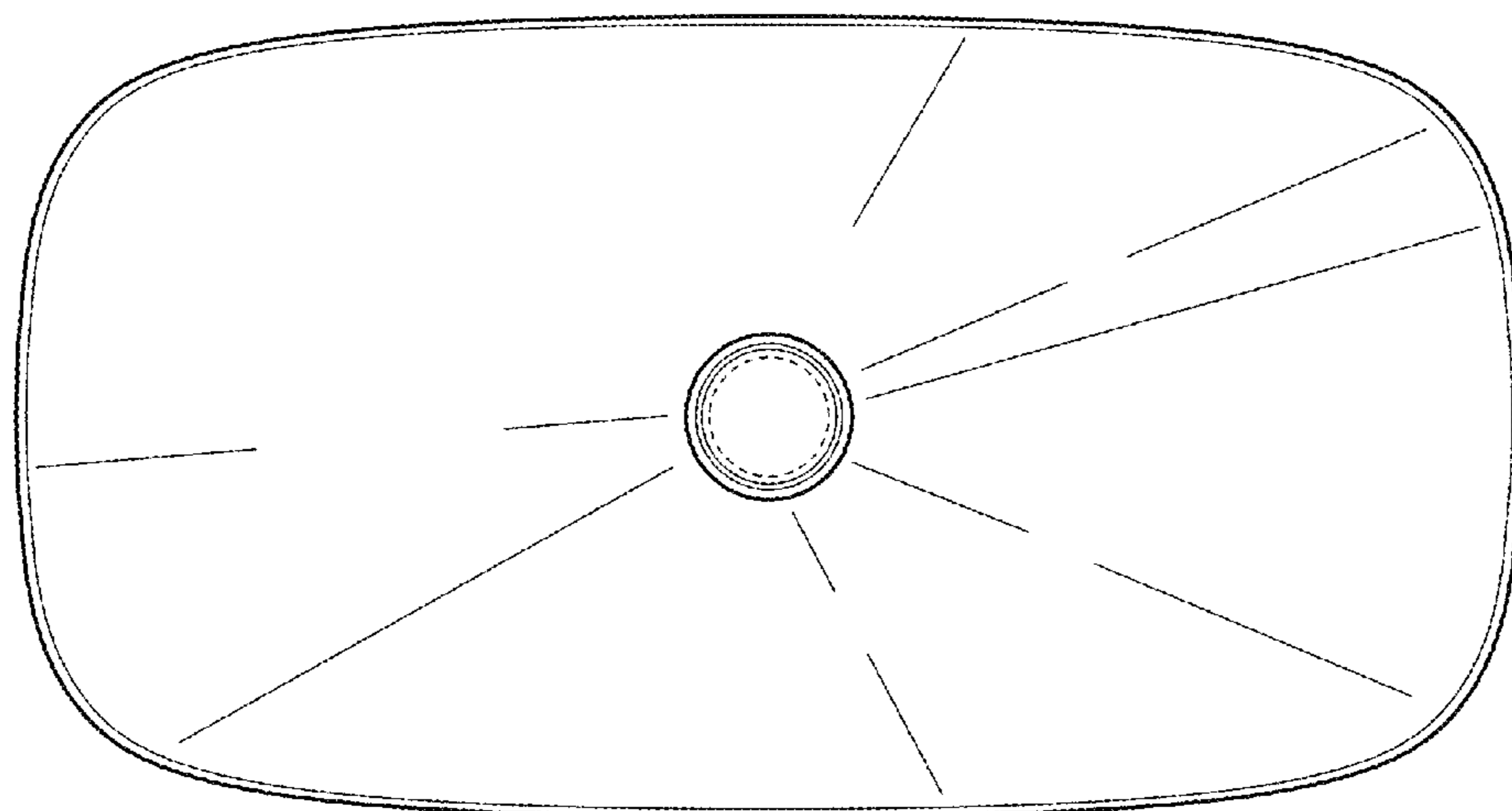


FIG. 5

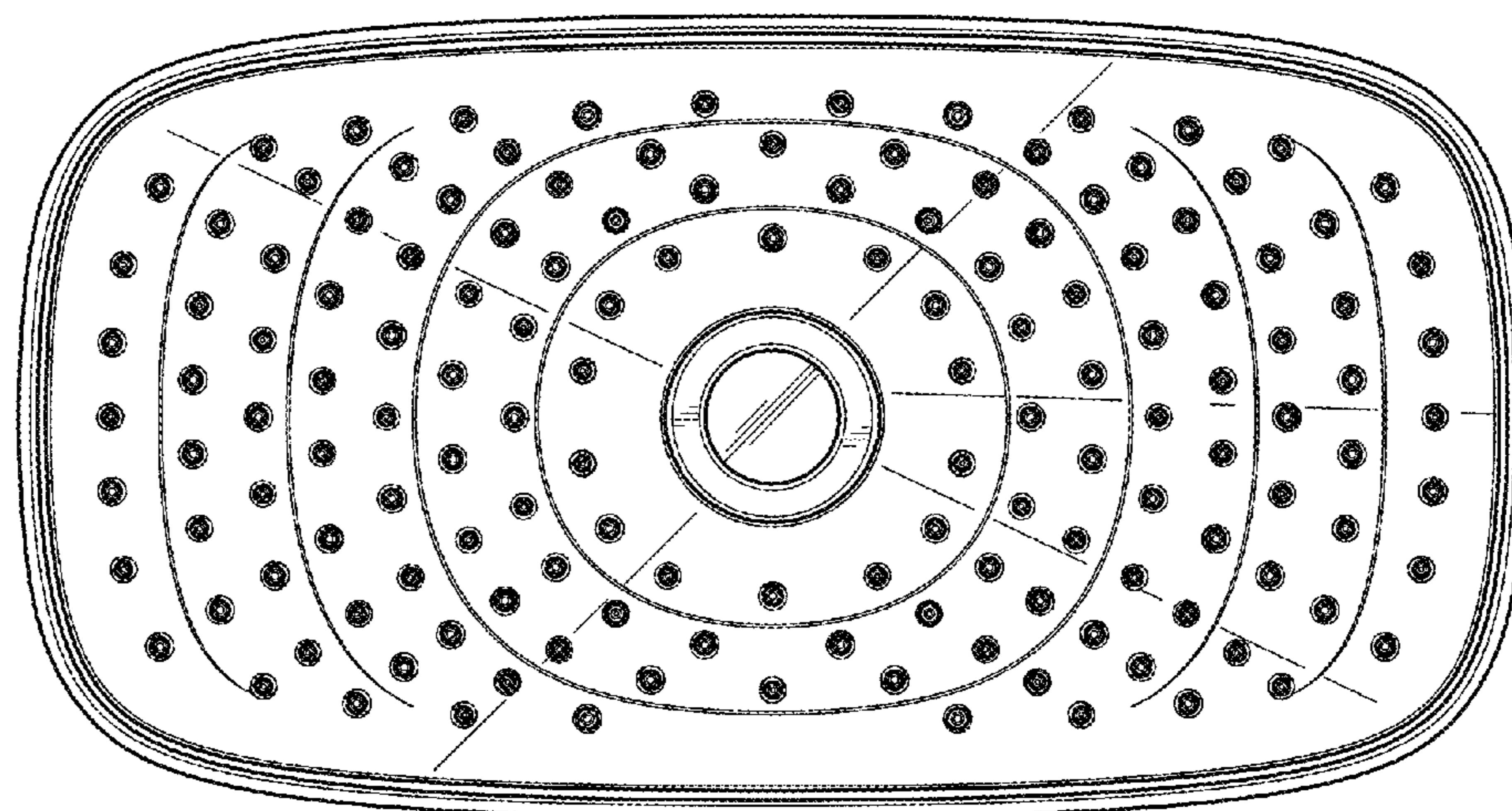


FIG. 6