



US00D669961S

(12) **United States Design Patent**  
**Sanwald**

(10) **Patent No.:** **US D669,961 S**

(45) **Date of Patent:** **\*\* Oct. 30, 2012**

(54) **ELECTRODE HOLDER FOR SPRAY  
COATING DEVICES**

(75) Inventor: **Marco Sanwald**, Abtwil (CH)

(73) Assignee: **Illinois Tool Works Inc**, Glenview, IL  
(US)

(\*\*) Term: **14 Years**

(21) Appl. No.: **29/399,837**

(22) Filed: **Aug. 19, 2011**

(30) **Foreign Application Priority Data**

Feb. 22, 2011 (EM) ..... 001261655

(51) **LOC (9) Cl.** ..... **23-01**

(52) **U.S. Cl.** ..... **D23/213**

(58) **Field of Classification Search** ..... D23/213;  
239/597, 601

See application file for complete search history.

(56) **References Cited**

U.S. PATENT DOCUMENTS

4,330,086	A *	5/1982	Nysted	.....	239/8
6,557,787	B2 *	5/2003	Swan	.....	239/597
6,712,293	B2 *	3/2004	Swan	.....	239/429
D520,106	S *	5/2006	Jones et al.	.....	D23/213
D568,439	S *	5/2008	Fulkerson et al.	.....	D23/213
D569,477	S *	5/2008	Fulkerson et al.	.....	D23/213
7,708,211	B2 *	5/2010	Maier et al.	.....	239/456

D639,903	S *	6/2011	Plotzitzka et al.	.....	D23/213
8,056,834	B2 *	11/2011	Gardner et al.	.....	239/518
8,056,837	B2 *	11/2011	Gardner et al.	.....	239/601

\* cited by examiner

*Primary Examiner* — Robin V Webster

(74) *Attorney, Agent, or Firm* — Lowe Hauptman Ham & Berner LLP

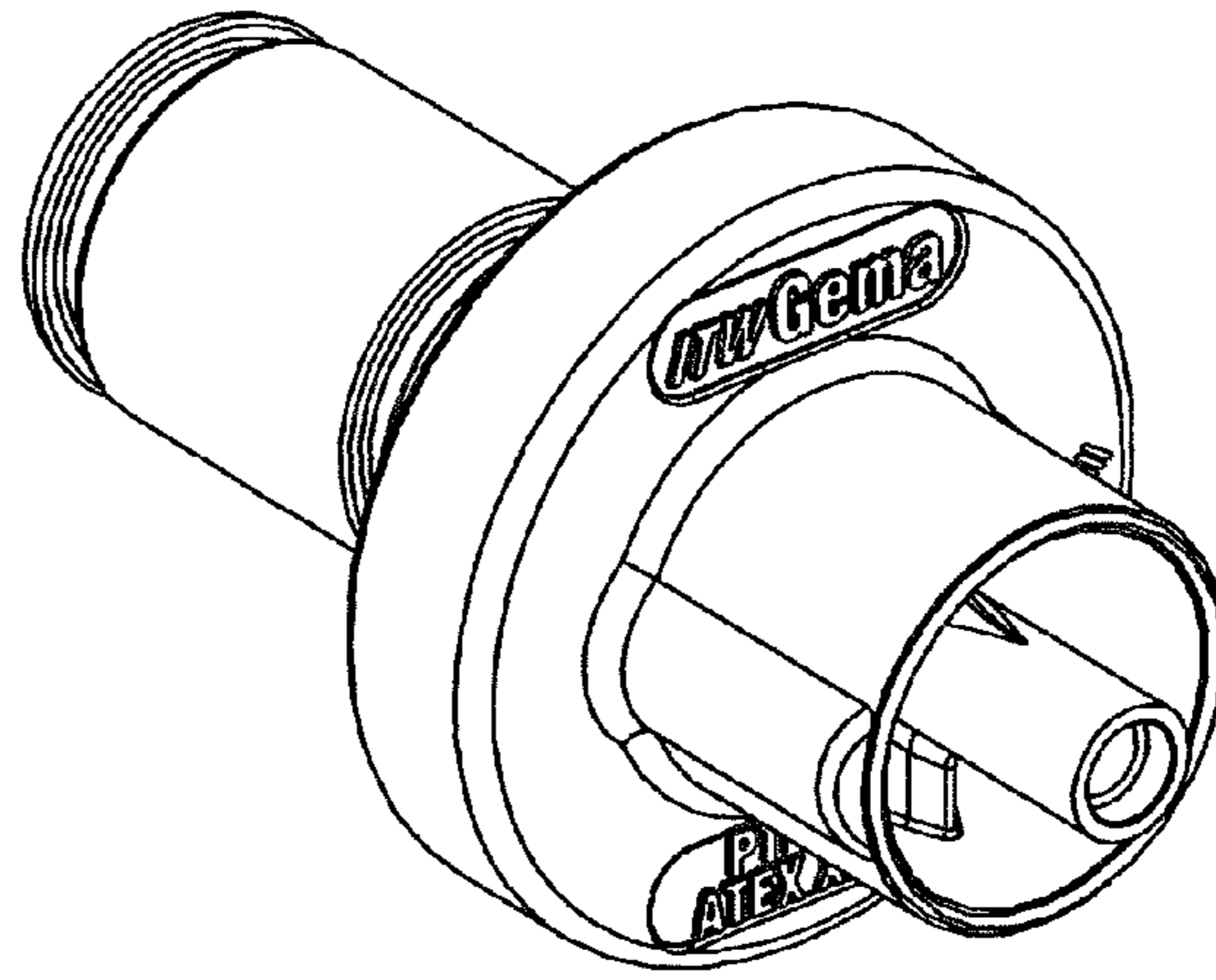
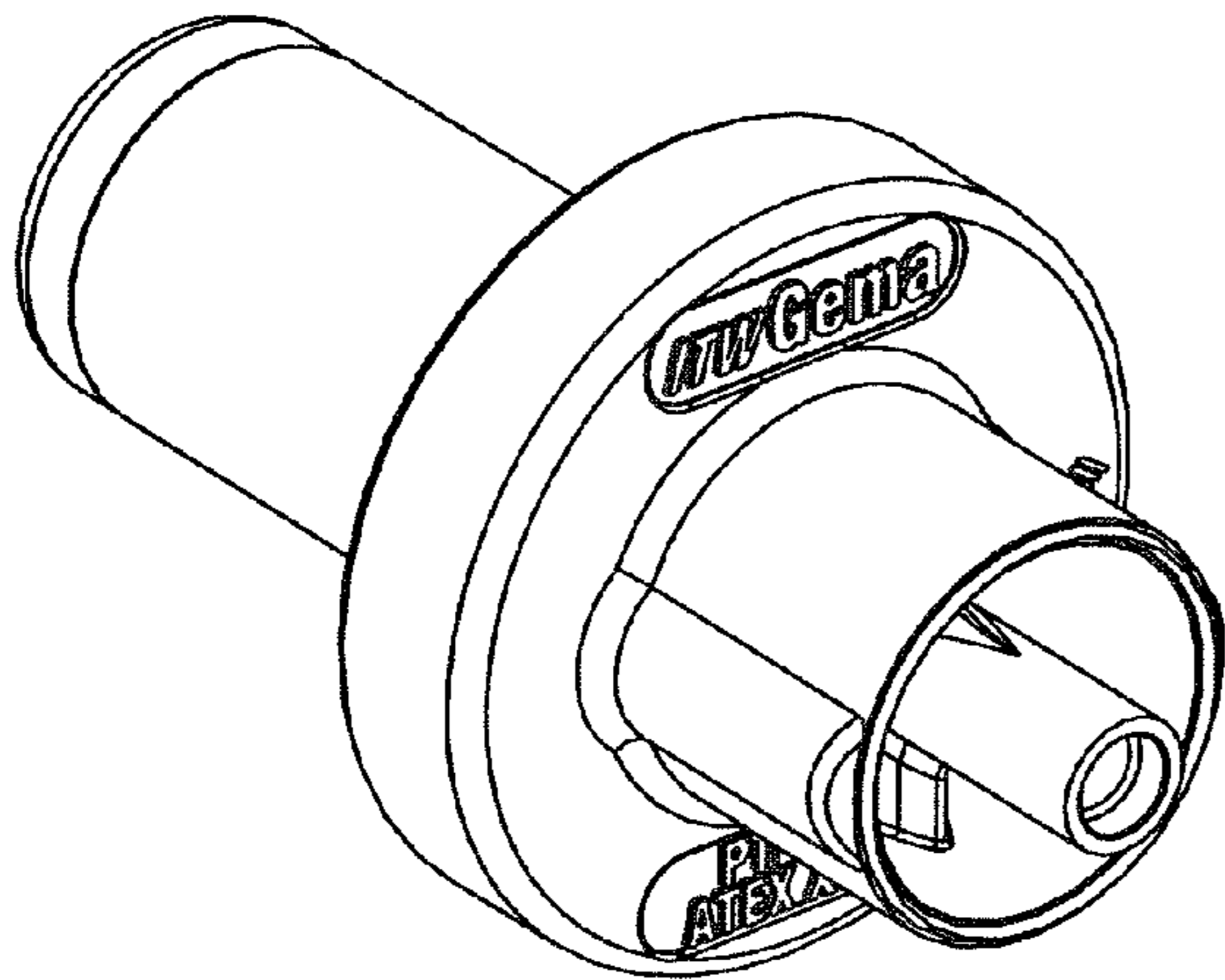
(57) **CLAIM**

The ornamental design for an electrode holder for a spray coating device, as shown and described.

**DESCRIPTION**

FIG. 1 is a top view of an electrode holder for a spray coating device according to a first embodiment;  
 FIG. 2 is a left side view of the nozzle of FIG. 1;  
 FIG. 3 is a right side view of the nozzle of FIG. 1;  
 FIG. 4 is a front view of the nozzle of FIG. 1;  
 FIG. 5 is a back view of the nozzle of FIG. 1;  
 FIG. 6 is a perspective view of the nozzle of FIG. 1; and  
 FIG. 7 is another perspective view of the nozzle of FIG. 1.  
 FIG. 8 is a top view of an electrode holder for a spray coating device according to a second embodiment;  
 FIG. 9 is a left side view of the nozzle of FIG. 8;  
 FIG. 10 is a right side view of the nozzle of FIG. 8;  
 FIG. 11 is a front view of the nozzle of FIG. 8;  
 FIG. 12 is a back view of the nozzle of FIG. 8;  
 FIG. 13 is a perspective view of the nozzle of FIG. 8; and,  
 FIG. 14 is another perspective view of the nozzle of FIG. 8.

**1 Claim, 14 Drawing Sheets**



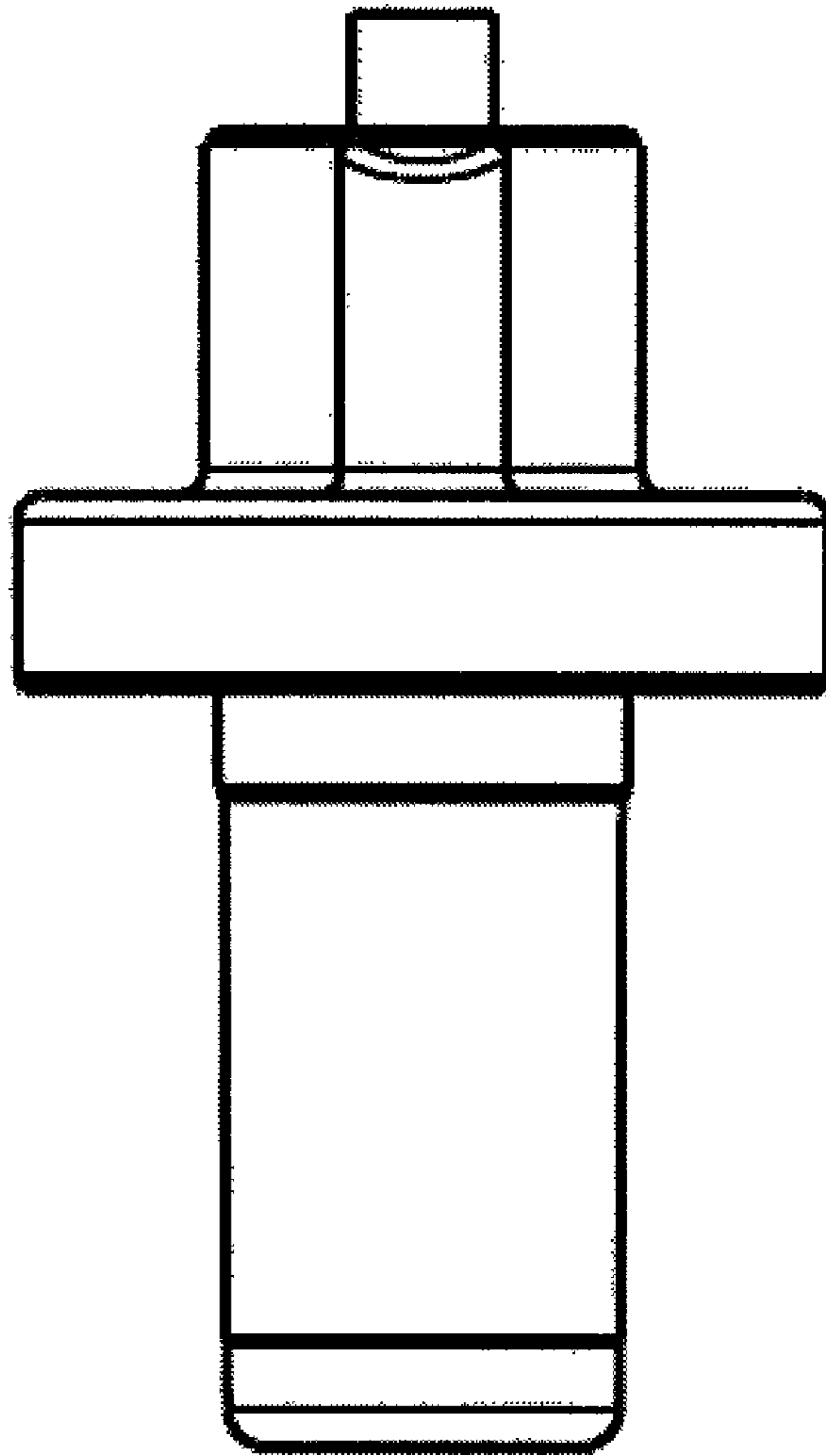


Fig. 1

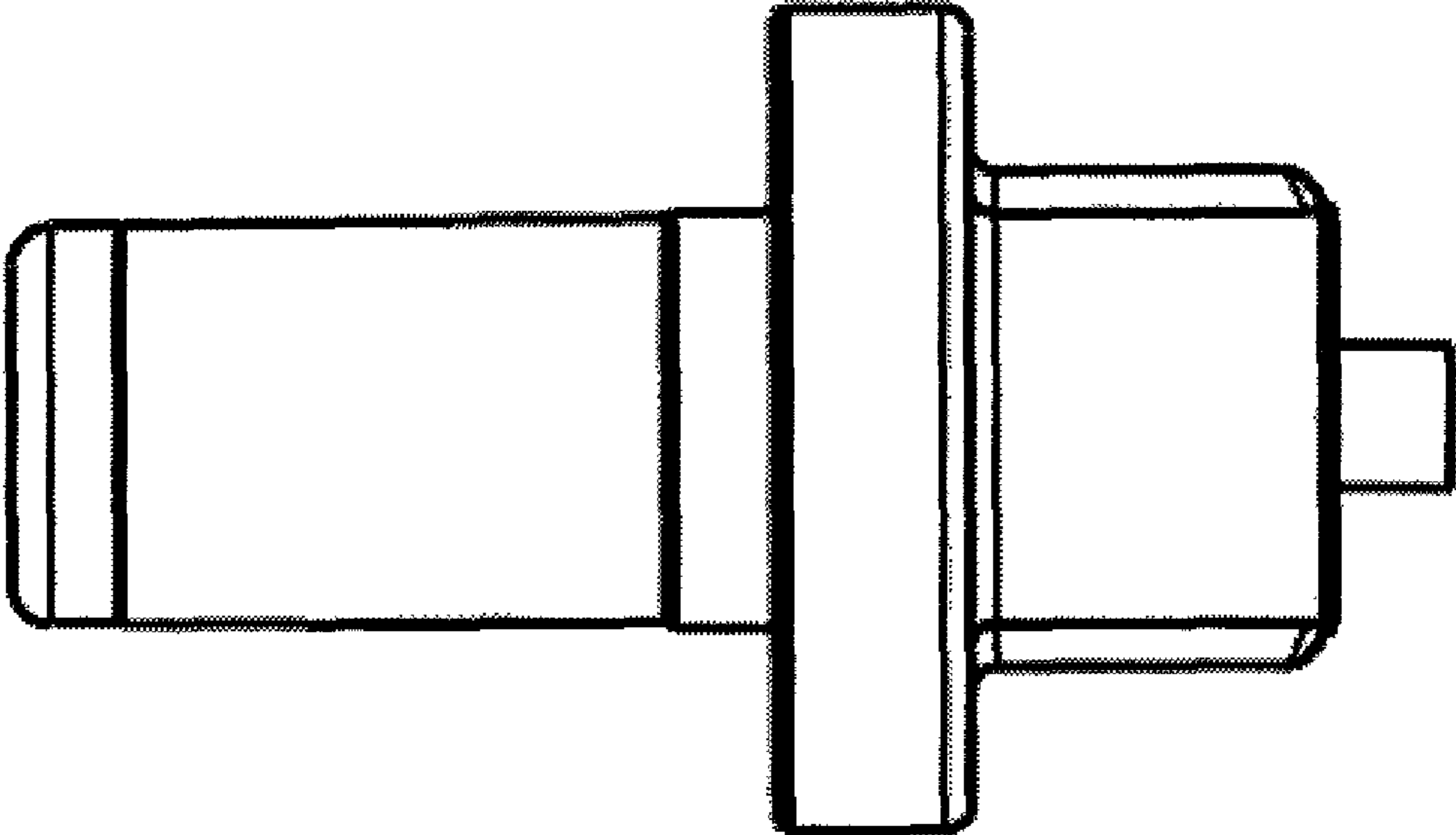


Fig. 2

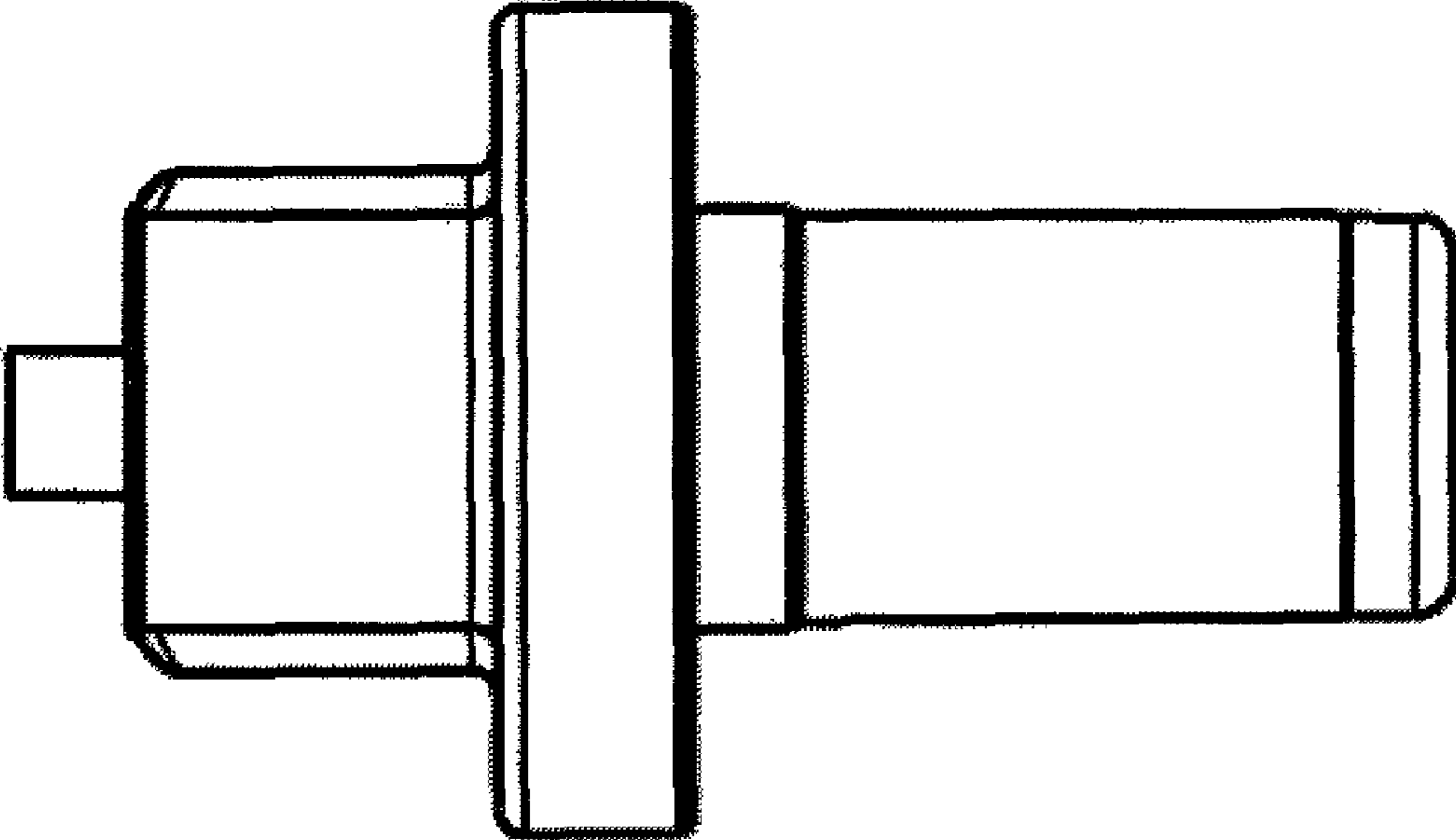


Fig. 3



Fig. 4

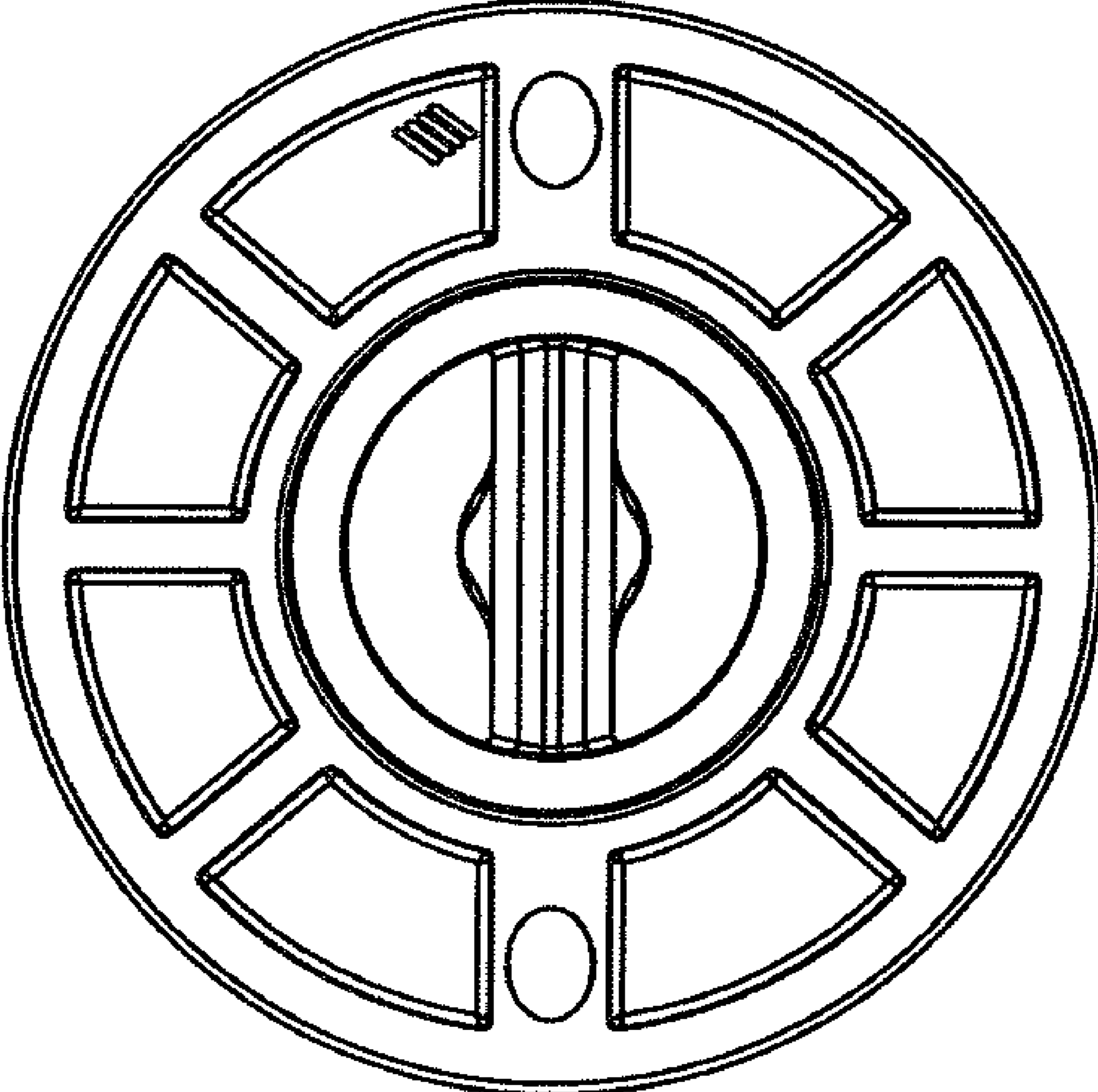


Fig. 5

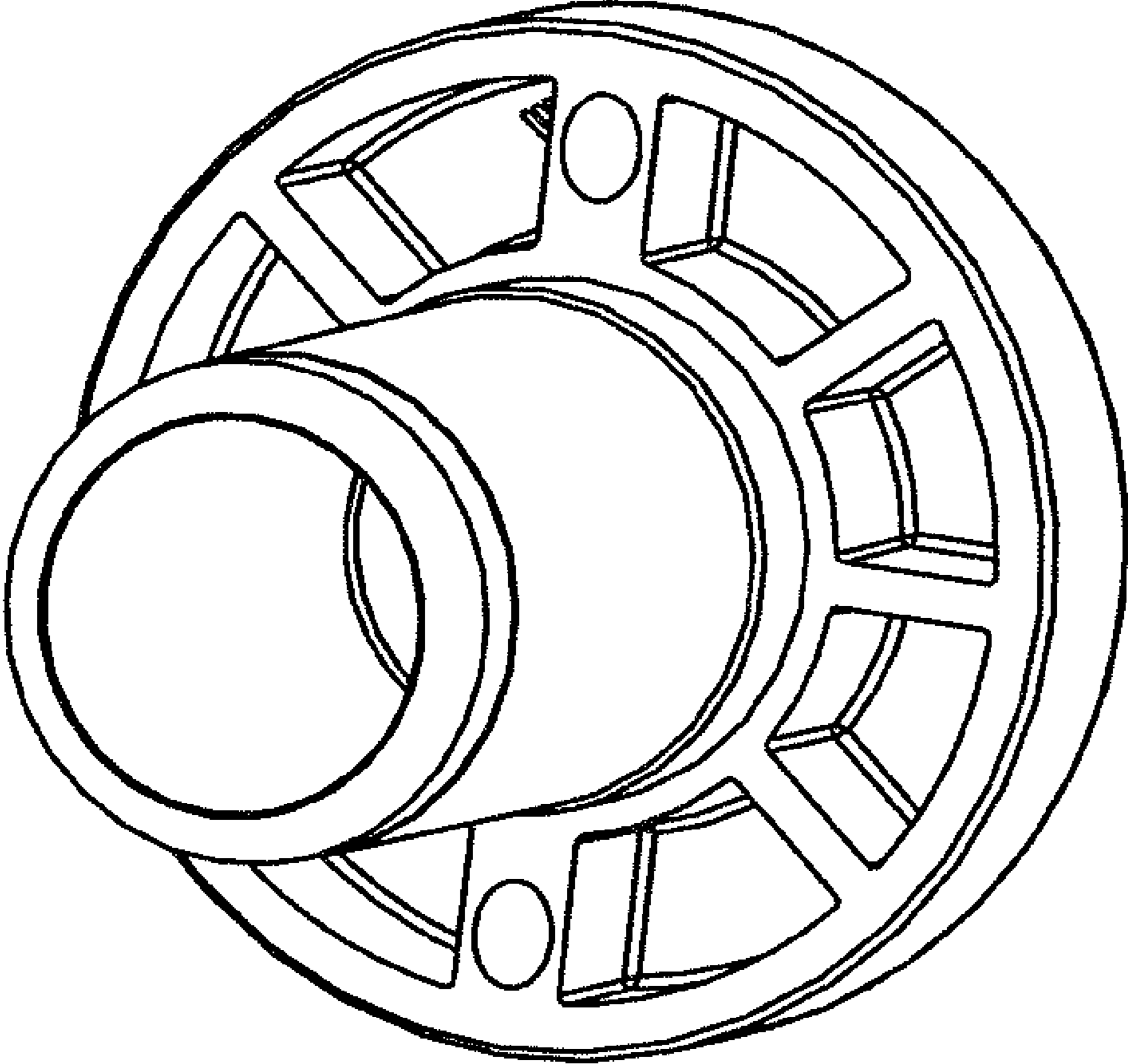


Fig. 6

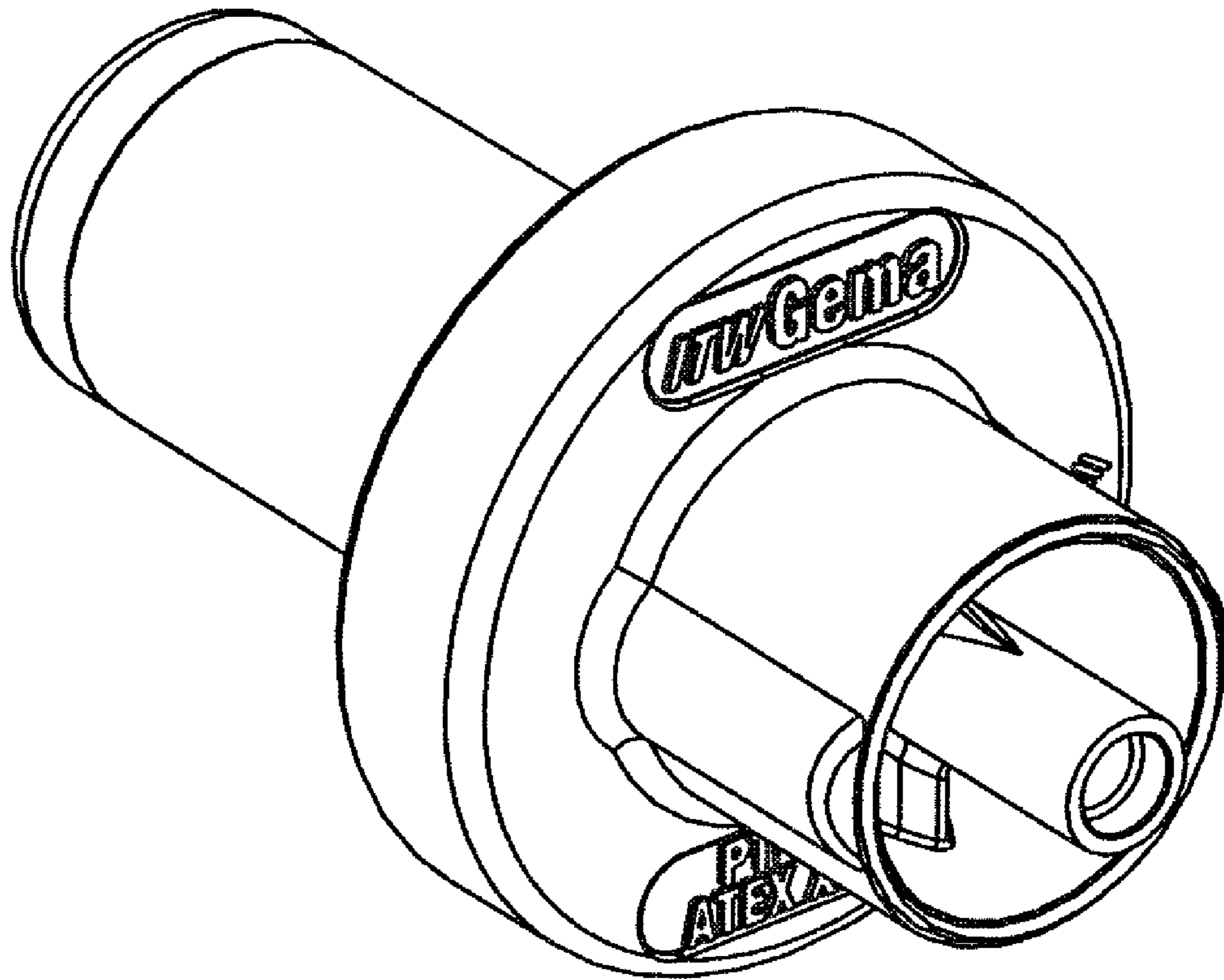


Fig. 7



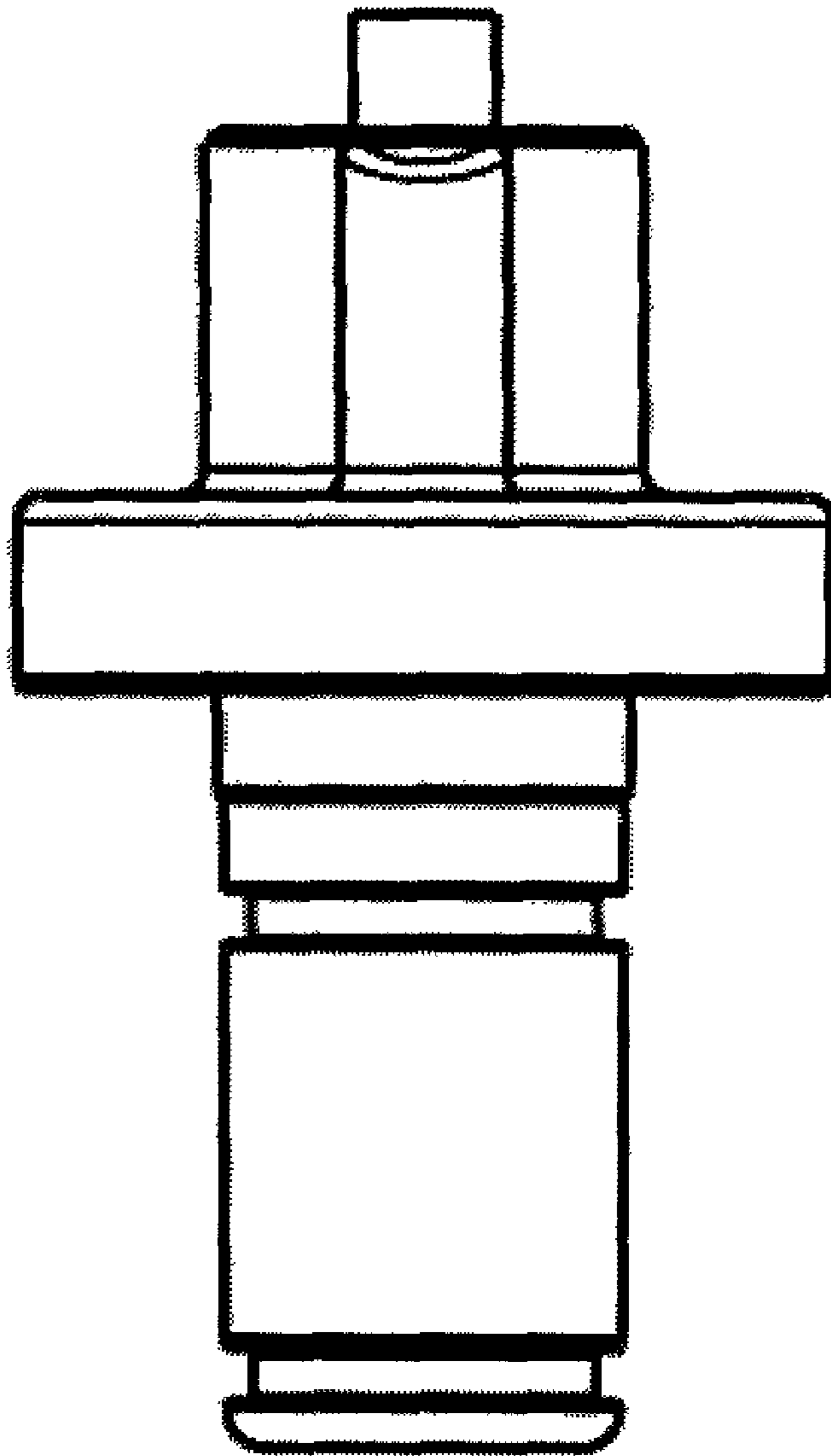


Fig. 8

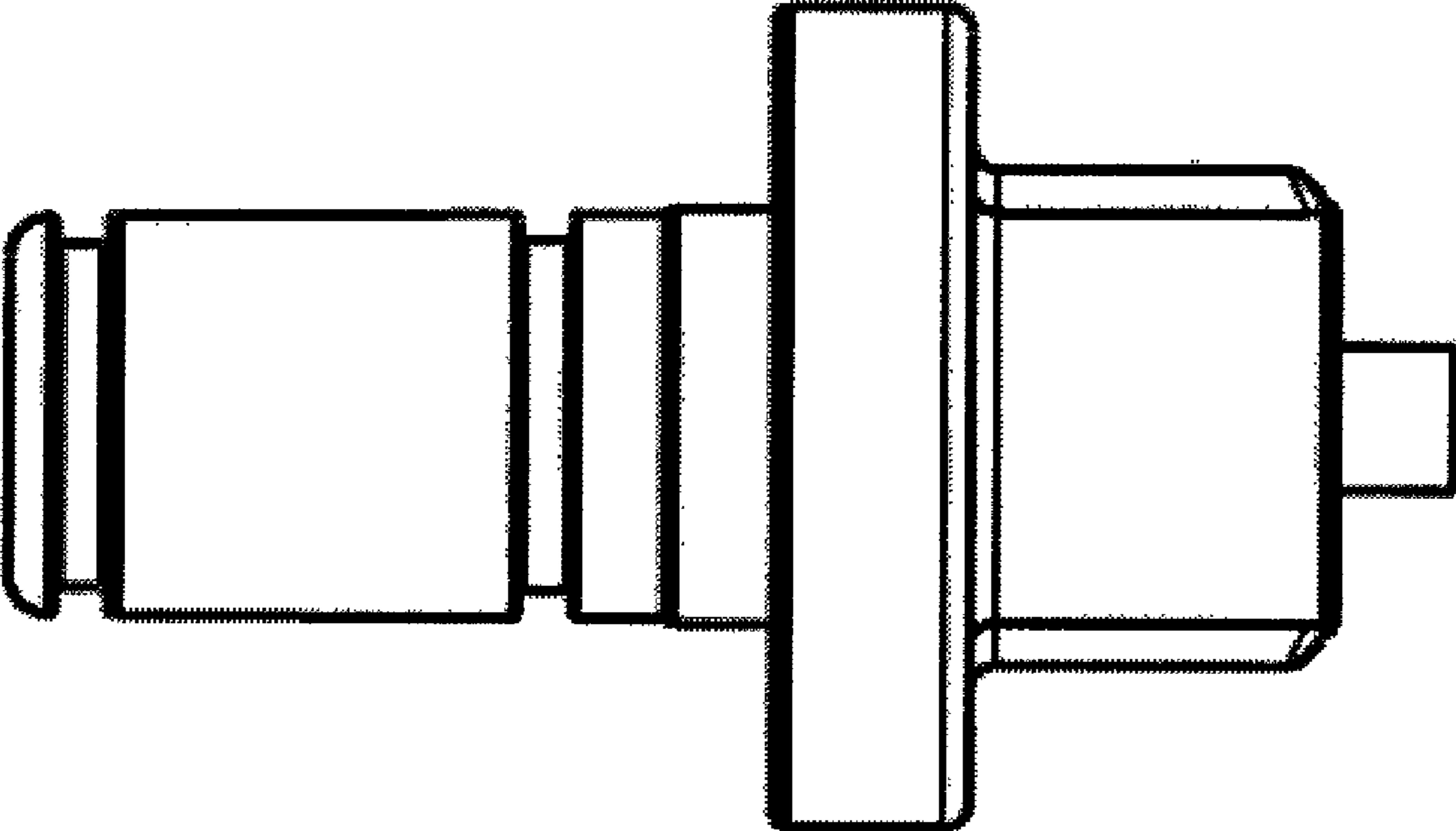


Fig. 9

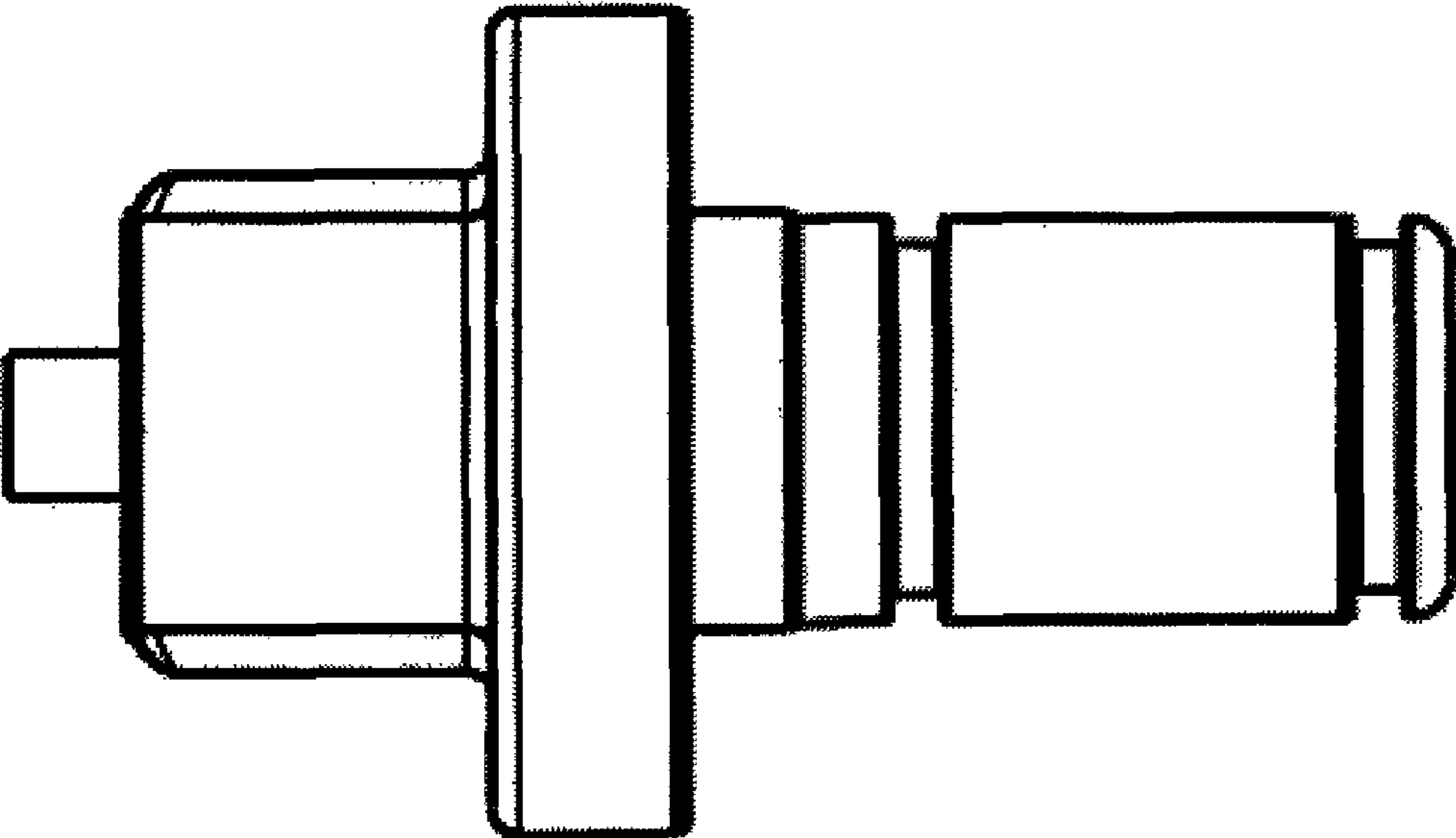


Fig. 10



Fig. 11

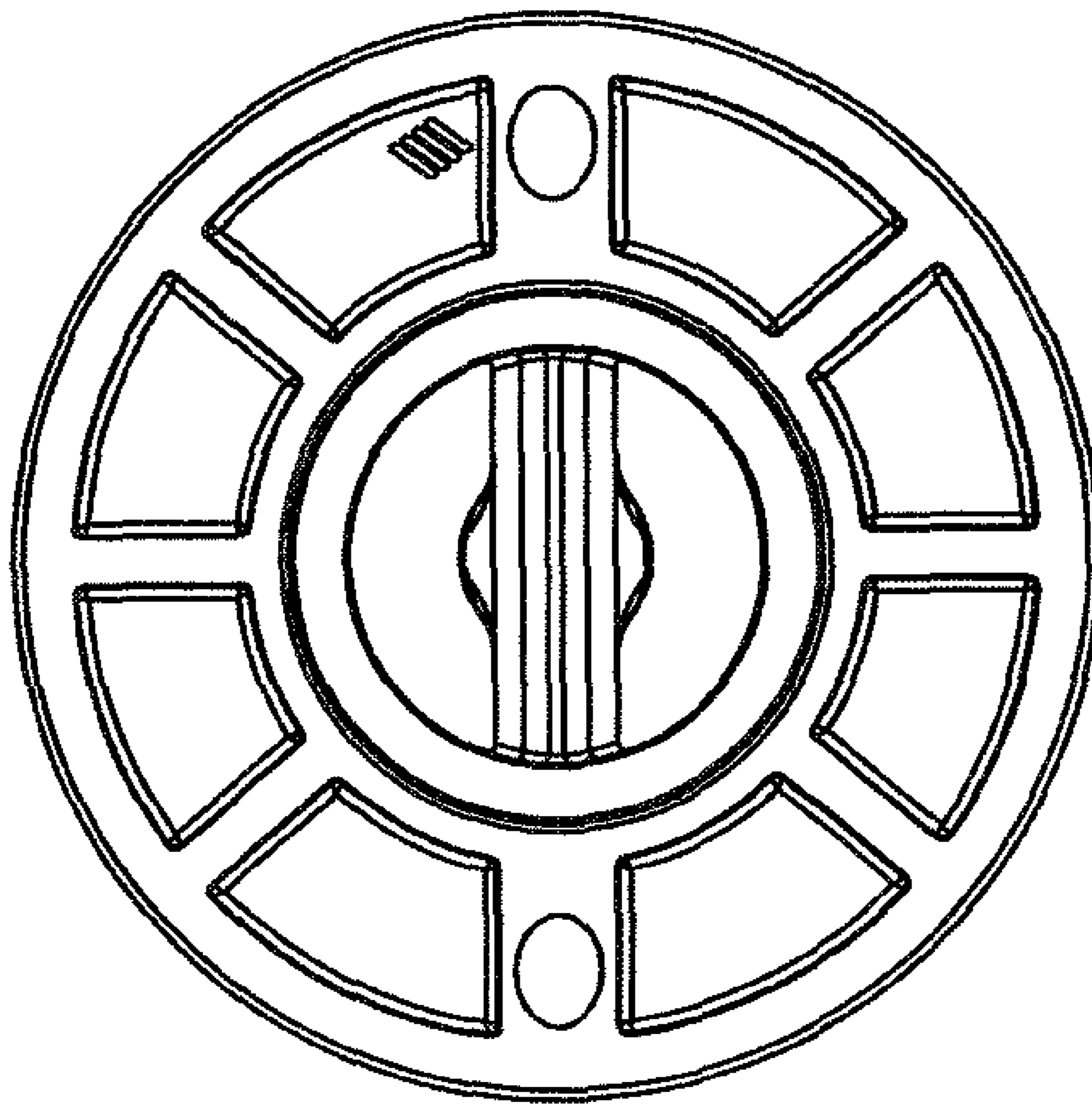


Fig. 12

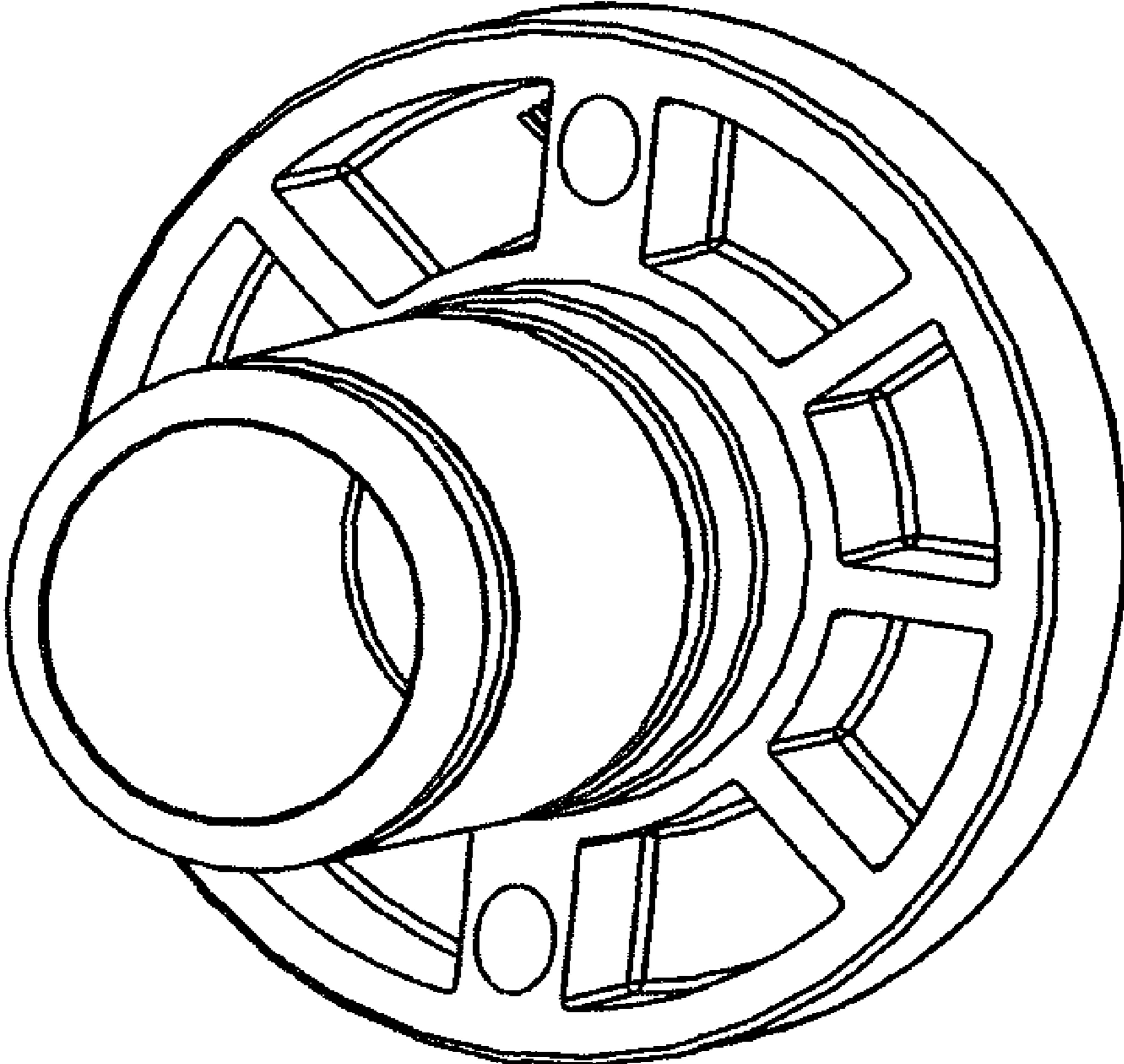


Fig. 13

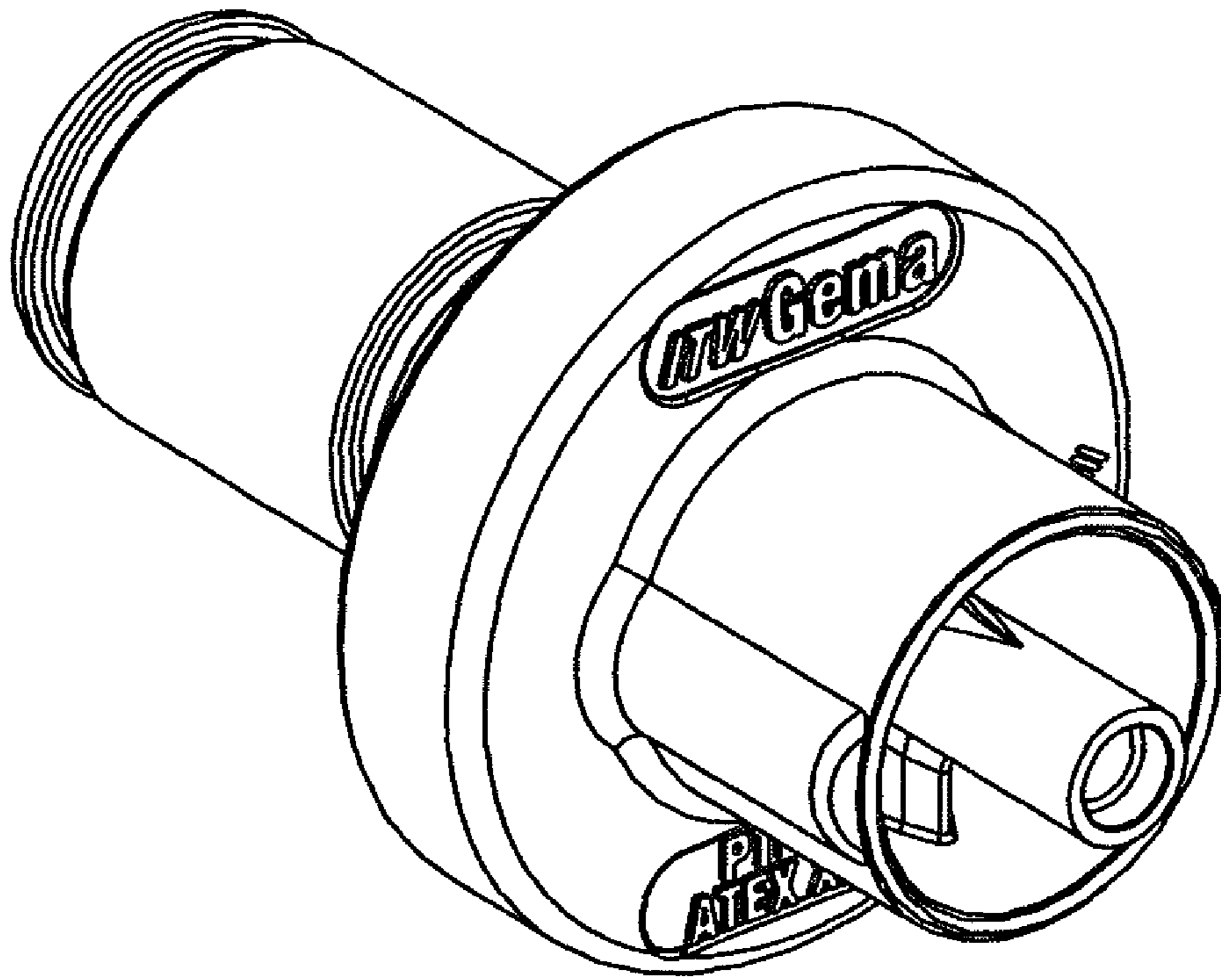


Fig. 14