

US00D669960S

(12) **United States Design Patent**
Blume et al.

(10) **Patent No.:** **US D669,960 S**

(45) **Date of Patent:** **** Oct. 30, 2012**

(54) **BYPASS RING FOR WATER FILTRATION
MODULES**

(56) **References Cited**

(75) Inventors: **Ingo Blume**, Hengelo (NL); **Jeroen
Marc Wijnholds**, Almelo (NL); **Joost
Alexander Spits**, Enschede (NL); **Katja
Witvers**, Enschede (NL)

U.S. PATENT DOCUMENTS

3,984,318	A *	10/1976	Bumb	210/130
5,066,391	A *	11/1991	Faria	210/85
D365,139	S *	12/1995	Gibbins	D23/209
6,544,412	B2 *	4/2003	Michels et al.	210/130
6,793,808	B2 *	9/2004	McKenzie	210/130
7,041,217	B1 *	5/2006	Close et al.	210/232

(73) Assignee: **X-Flow B.V.**, Enschede (NL)

* cited by examiner

(**) Term: **14 Years**

Primary Examiner — Robin V Webster

(21) Appl. No.: **29/374,528**

(74) *Attorney, Agent, or Firm* — D. Peter Hochberg; Sean F. Mellino; Daniel J. Smola

(22) Filed: **Aug. 26, 2011**

(57) **CLAIM**

The ornamental design for bypass ring for water filtration modules, as shown and described.

(30) **Foreign Application Priority Data**

DESCRIPTION

Jul. 22, 2011 (EM) 001286405

(51) **LOC (9) Cl.** **23-01**

(52) **U.S. Cl.** **D23/209**

(58) **Field of Classification Search** D23/207,

D23/209; 210/130, 433.1, 456, 497.01

See application file for complete search history.

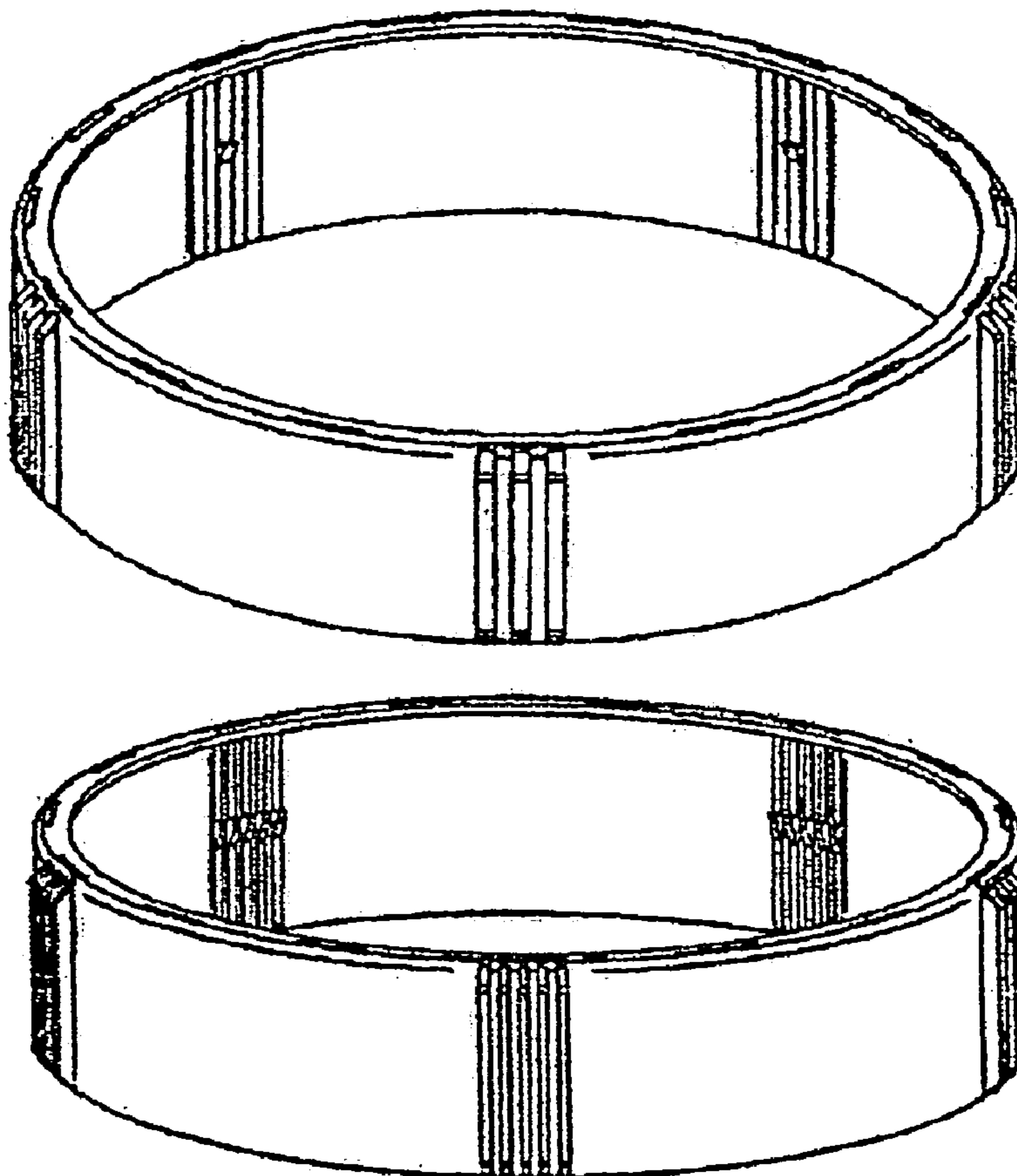
FIG. 1 is a top perspective view of a first embodiment of the bypass ring according to the invention;

FIG. 2 is a side view of the bypass ring as shown in FIG. 1;

FIG. 3 is a top perspective view of a second embodiment of the bypass ring according to the invention; and,

FIG. 4 is a side view of the bypass ring as shown in FIG. 3.

1 Claim, 1 Drawing Sheet



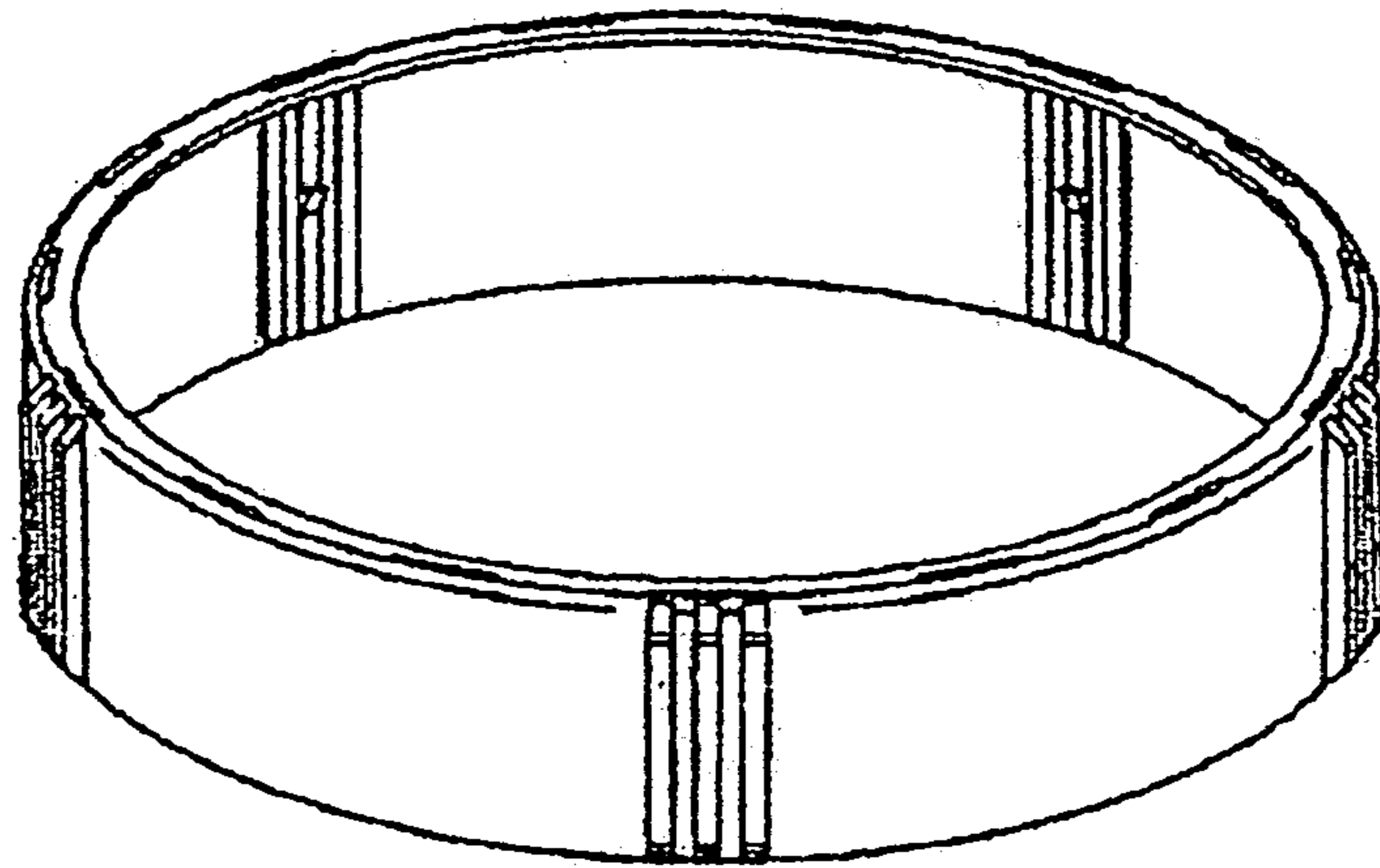


FIG-1

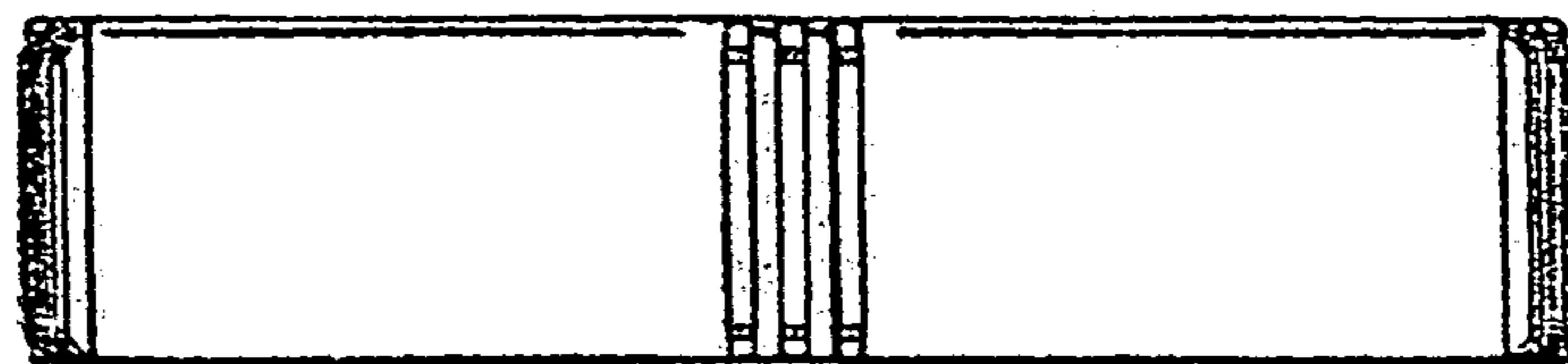


FIG-2

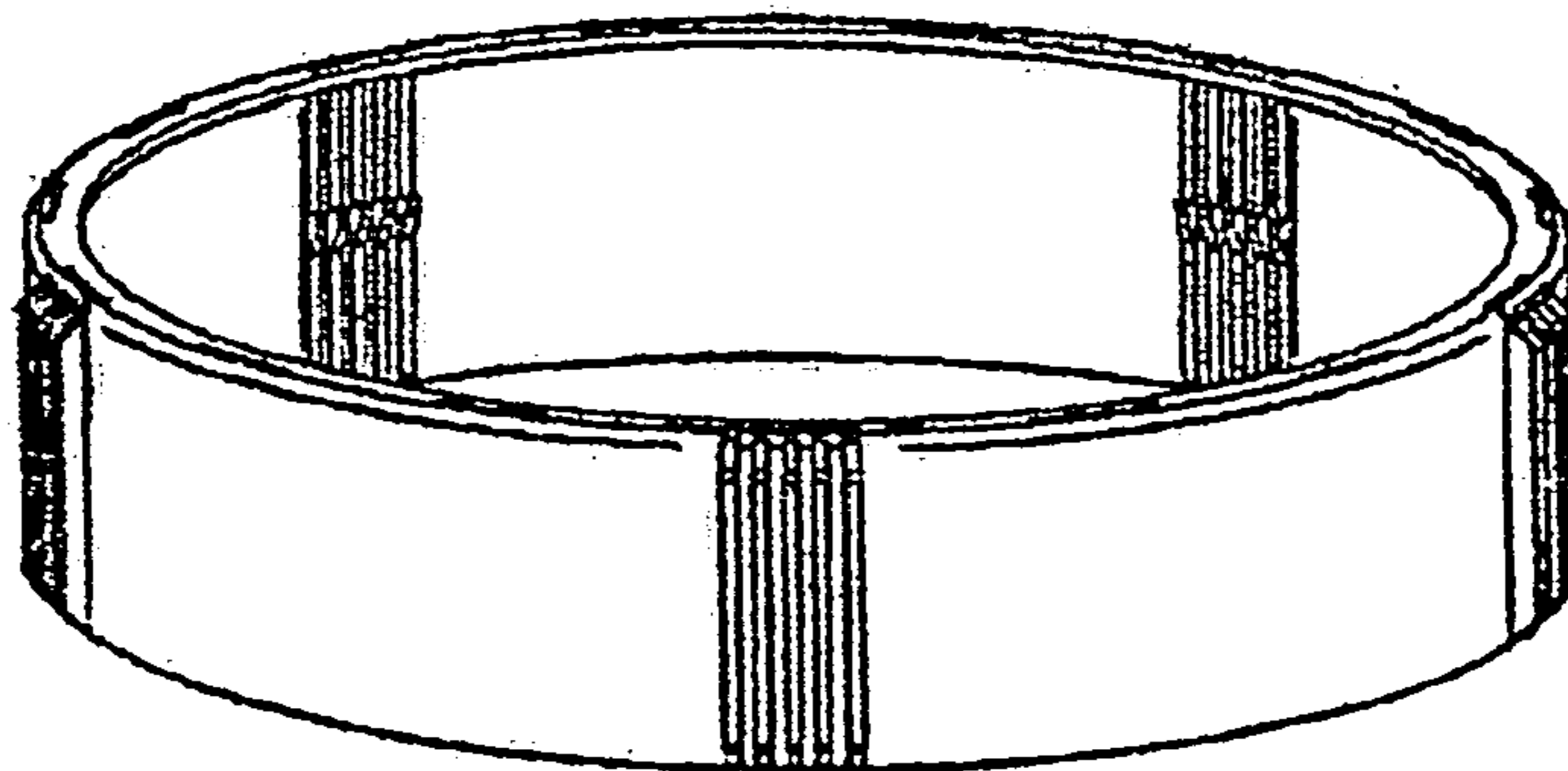


FIG-3

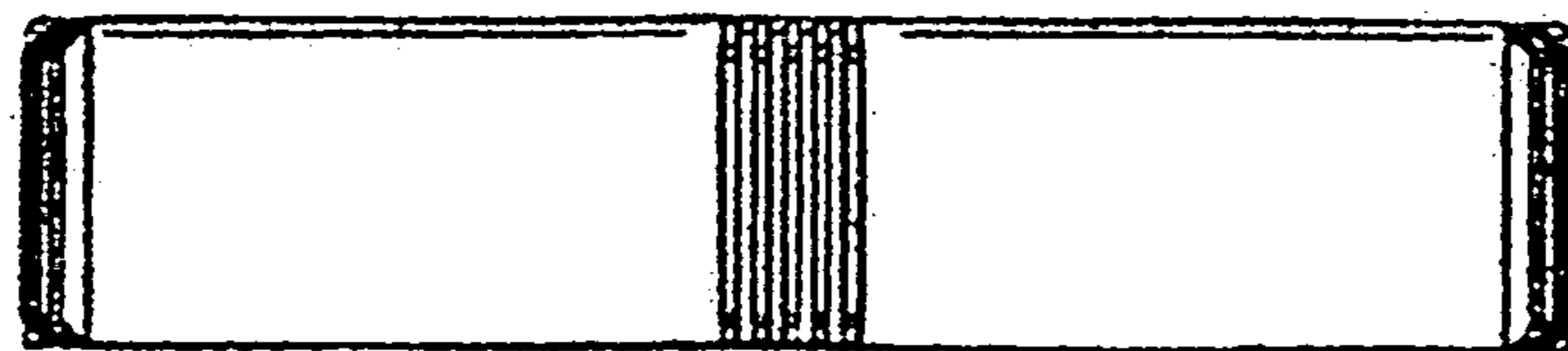


FIG-4