

US00D669959S

(12) **United States Design Patent**  
**Johnston et al.**

(10) **Patent No.:** **US D669,959 S**  
(45) **Date of Patent:** **\*\* Oct. 30, 2012**

(54) **ILLUMINATION DEVICE**  
(75) Inventors: **William Johnston**, Sherwood, OR (US);  
**Frederick Karl**, West Linn, OR (US);  
**Lewis A. Danielson**, Newberg, OR (US)  
(73) Assignee: **Crimson Trace, Inc.**, Wilsonville, OR  
(US)  
(\*\*) Term: **14 Years**

(21) Appl. No.: **29/396,430**

(22) Filed: **Jun. 29, 2011**

(51) **LOC (9) Cl.** ..... **22-01**

(52) **U.S. Cl.** ..... **D22/108**

(58) **Field of Classification Search** ..... D22/108-110,  
D22/199; 89/111-133; 359/399, 409-411,  
359/823, 744; 42/104, 105, 111-113, 116,  
42/120, 124-129, 141-148, 133-140; 33/227,  
33/229; D16/130-136; D26/38-39

See application file for complete search history.

(56) **References Cited**

U.S. PATENT DOCUMENTS

5,107,612	A *	4/1992	Bechtel	42/115
5,430,967	A *	7/1995	Woodman et al.	42/114
5,435,091	A	7/1995	Toole et al.	
5,706,600	A	1/1998	Toole et al.	
5,784,823	A *	7/1998	Chen	42/115
6,393,752	B1 *	5/2002	Oliver et al.	42/114
6,571,503	B2 *	6/2003	Thorpe	42/114
6,578,311	B2 *	6/2003	Danielson et al.	42/114
7,260,910	B2	8/2007	Danielson	

7,472,830	B2	1/2009	Danielson	
D603,478	S *	11/2009	Hughes	D22/110
D616,957	S	6/2010	Rievley et al.	
7,743,547	B2	6/2010	Houde-Walter	
7,805,876	B1	10/2010	Danielson et al.	
D636,049	S	4/2011	Hughes et al.	
D636,837	S *	4/2011	Hughes et al.	D22/109
8,028,461	B2	10/2011	NuDyke	
2004/0068913	A1 *	4/2004	Solinsky et al.	42/146
2007/0193103	A1 *	8/2007	Cheng	42/111
2011/0047850	A1	3/2011	Rievley et al.	

\* cited by examiner

*Primary Examiner* — Michael A Pratt

(74) *Attorney, Agent, or Firm* — Schwabe, Williamson & Wyatt, P.C.

(57) **CLAIM**

I claim an ornamental design for an illumination device, as shown and described.

**DESCRIPTION**

FIG. 1 is a perspective view of a illumination device, showing my new design;

FIG. 2 is a front view thereof;

FIG. 3 is a rear view thereof;

FIG. 4 is a right side view thereof;

FIG. 5 is a left side view thereof;

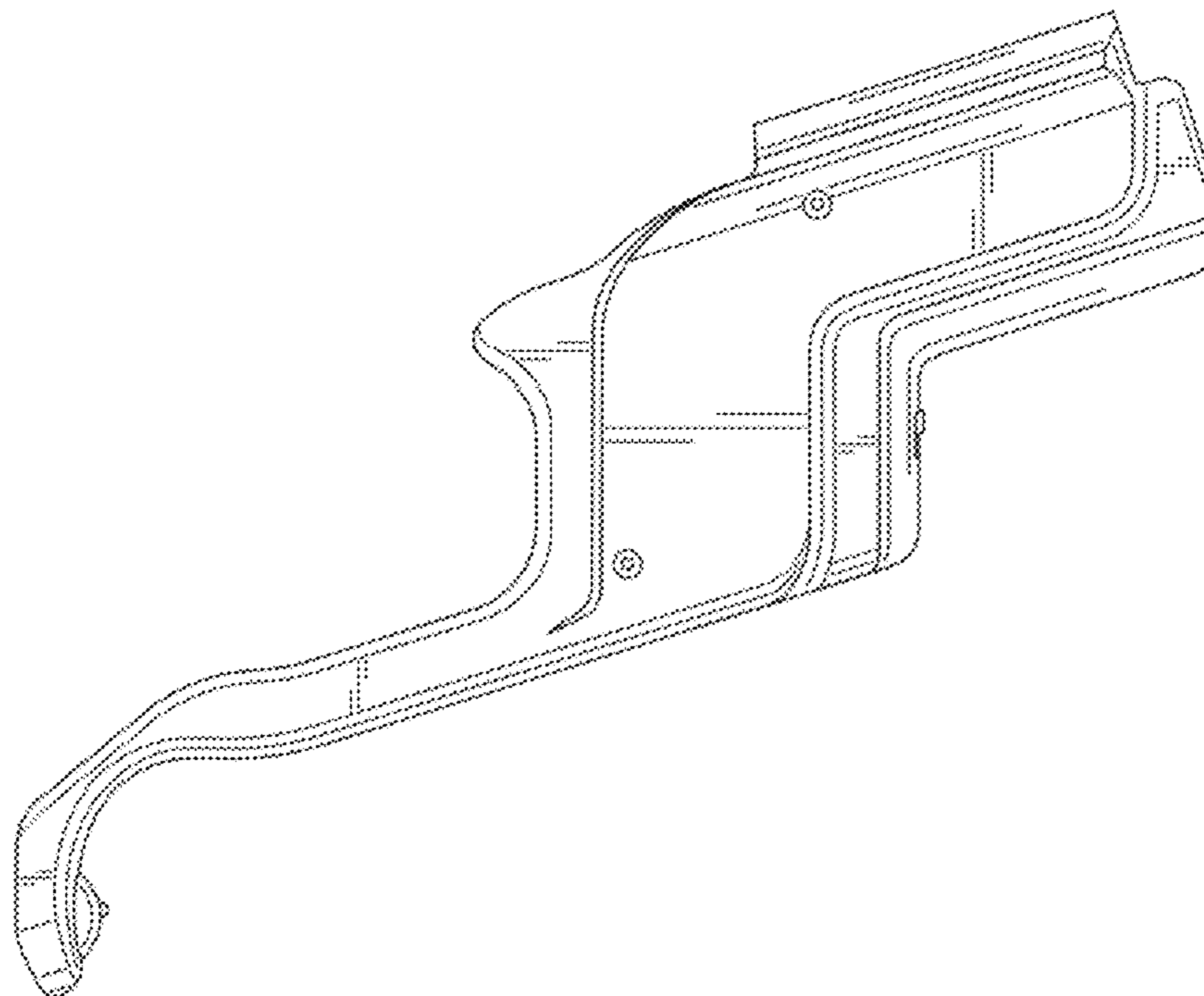
FIG. 6 is a top view thereof;

FIG. 7 is a bottom view thereof; and,

FIG. 8 is a side perspective view thereof.

The dashed lines are included for illustrating interior and/or environmental structures and form no part of the claimed design.

**1 Claim, 6 Drawing Sheets**



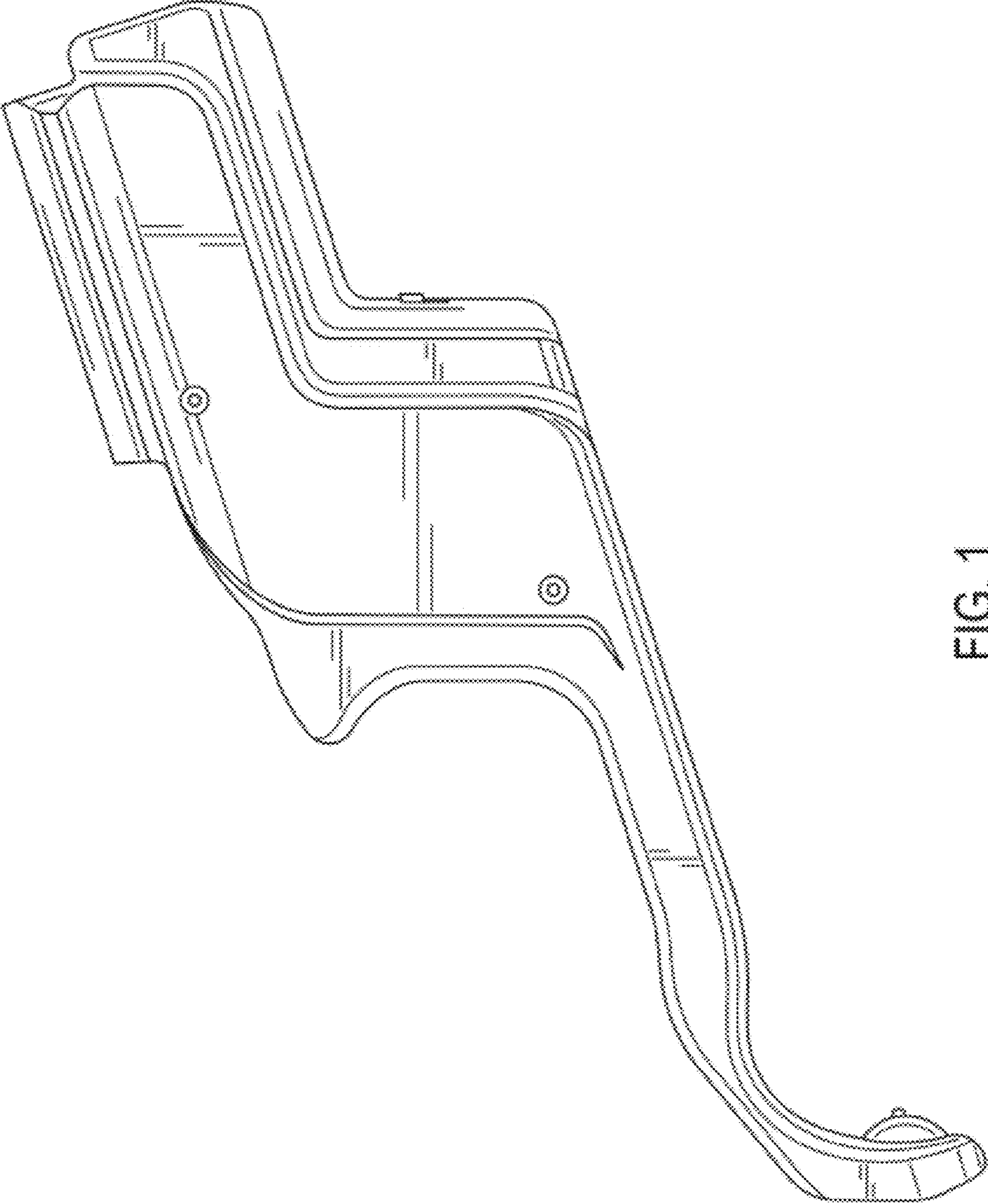


FIG. 1

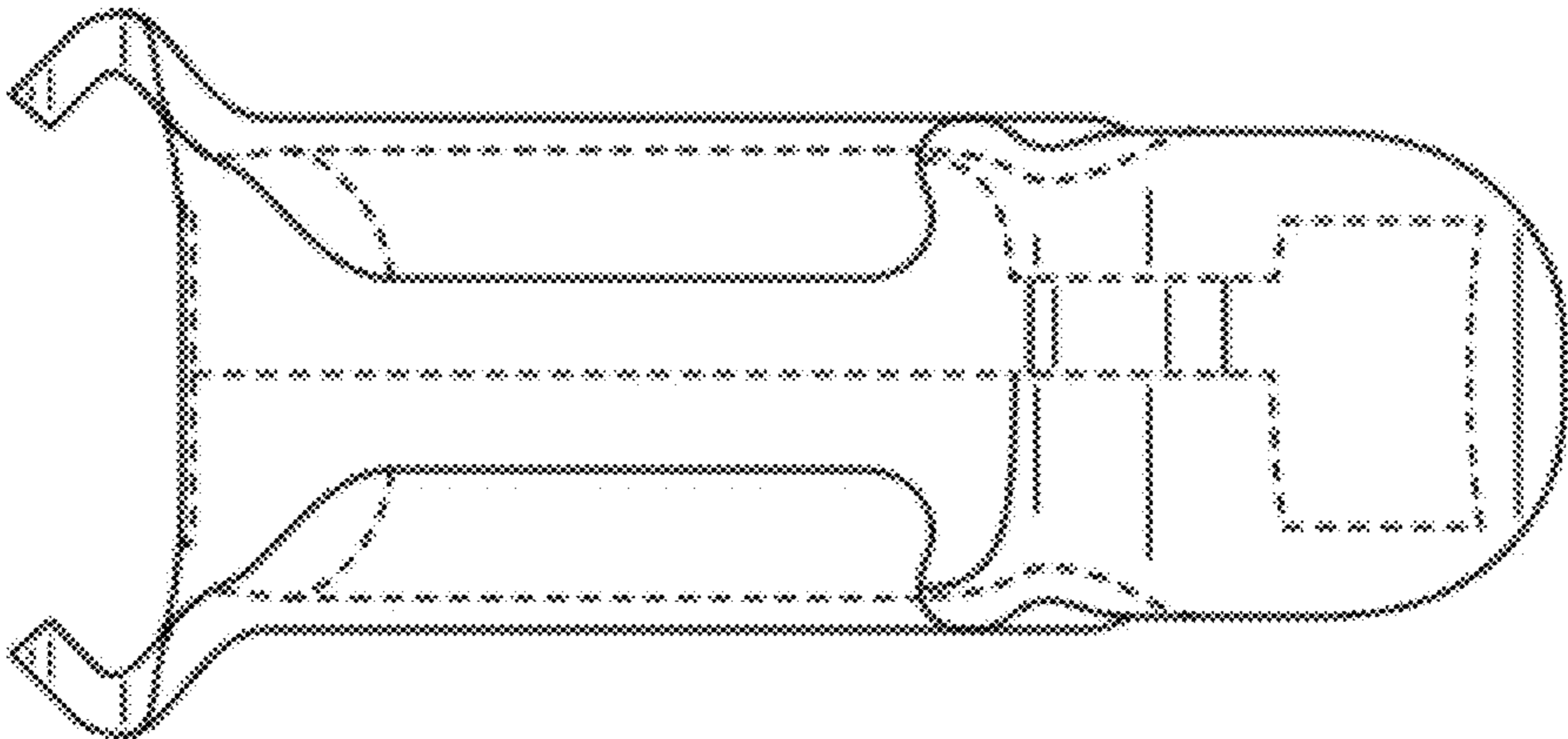


FIG. 3

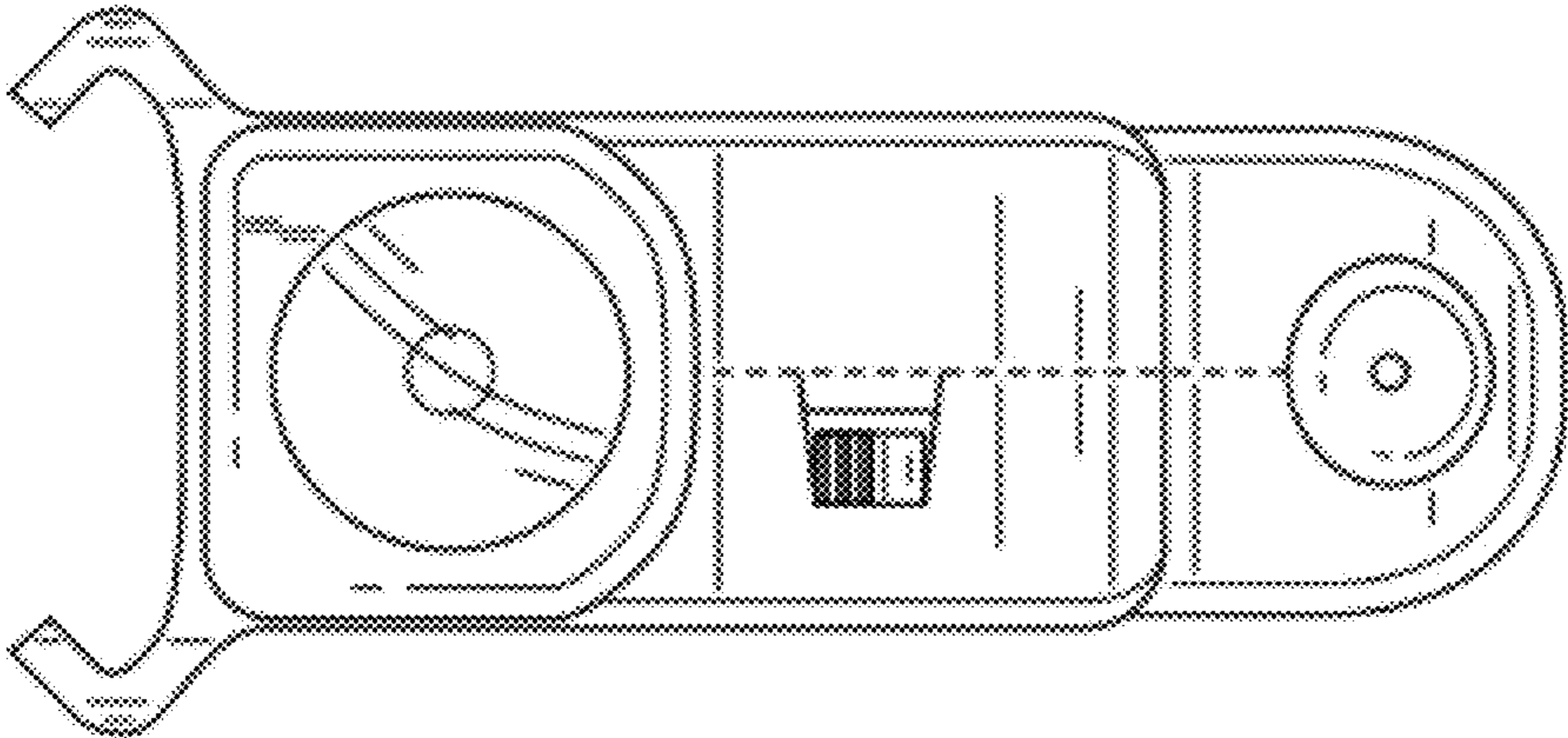


FIG. 2

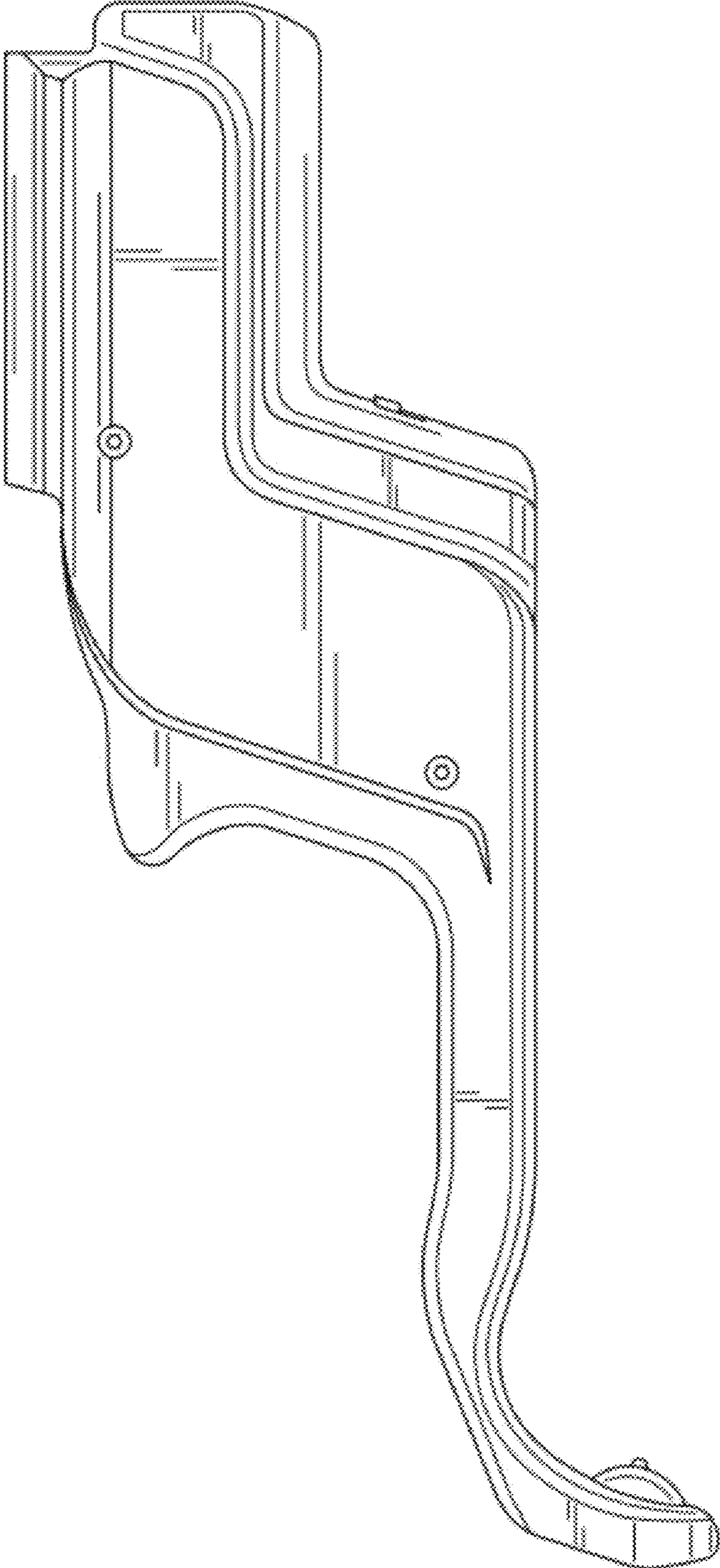


FIG. 4

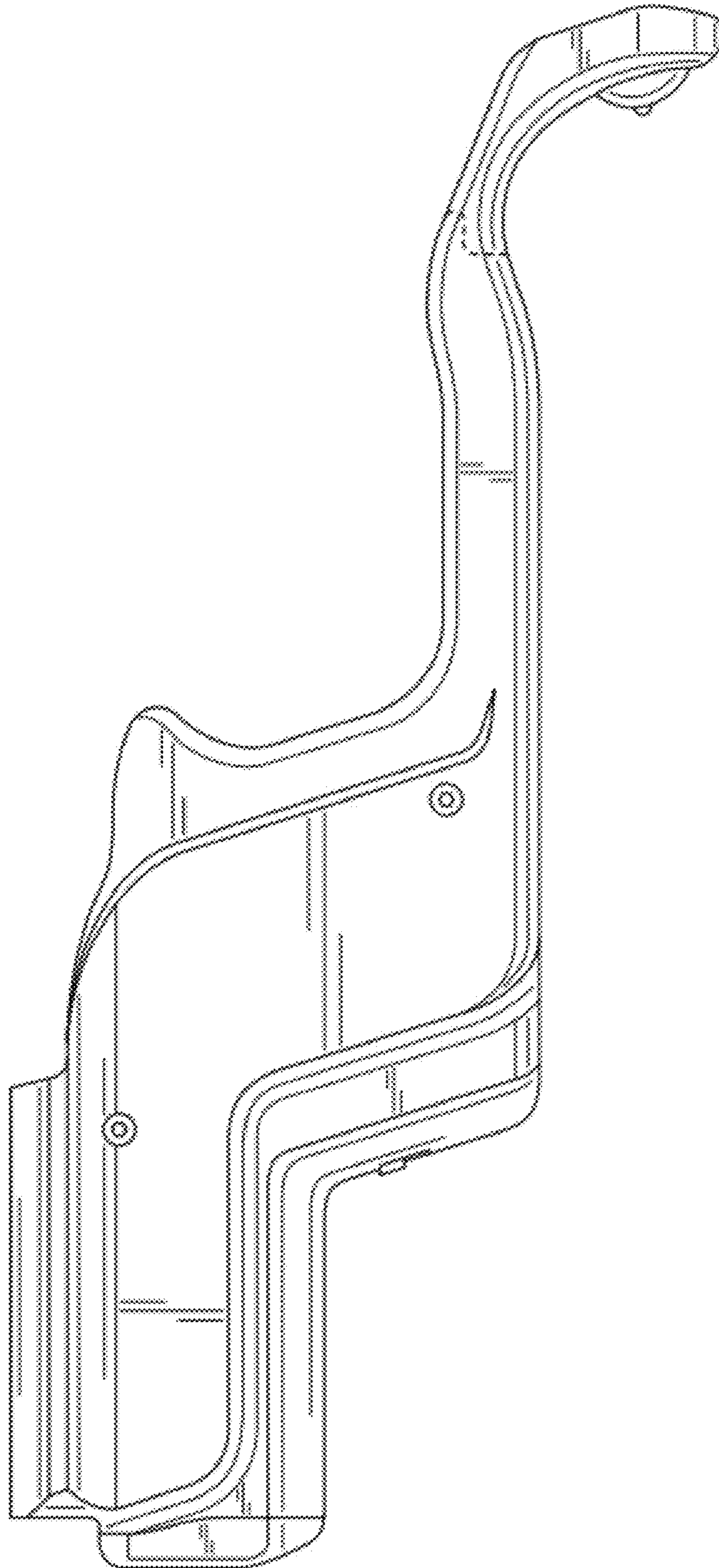


FIG. 5

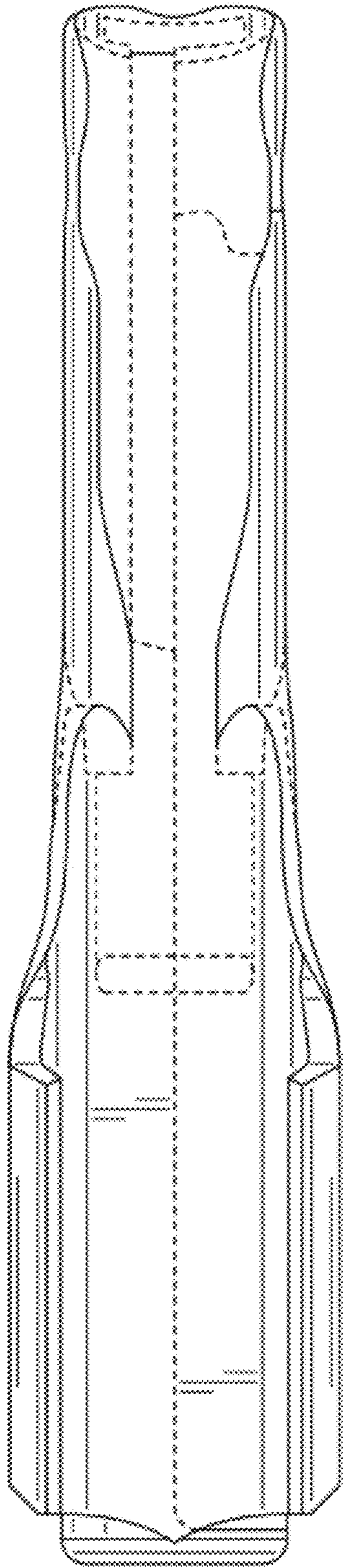


FIG. 6

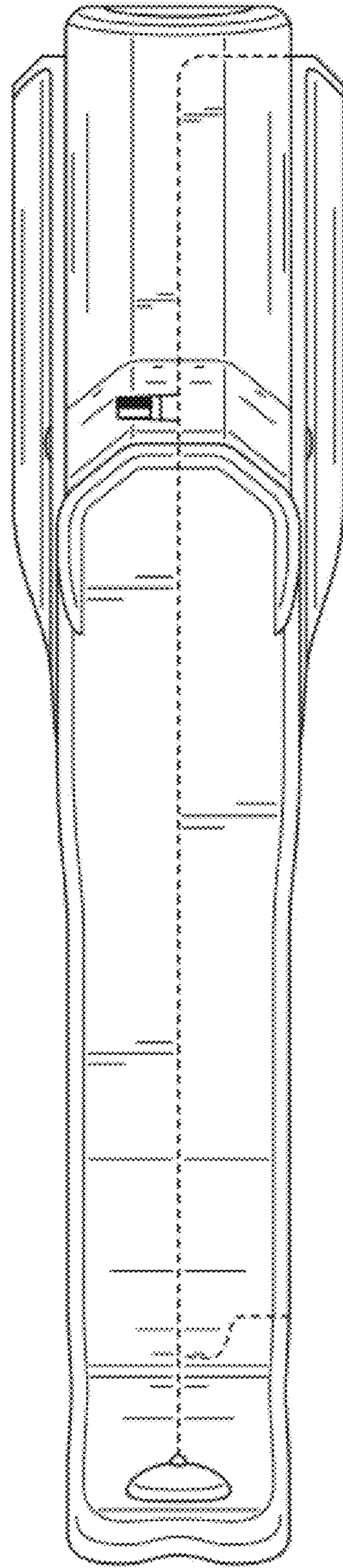


FIG. 7

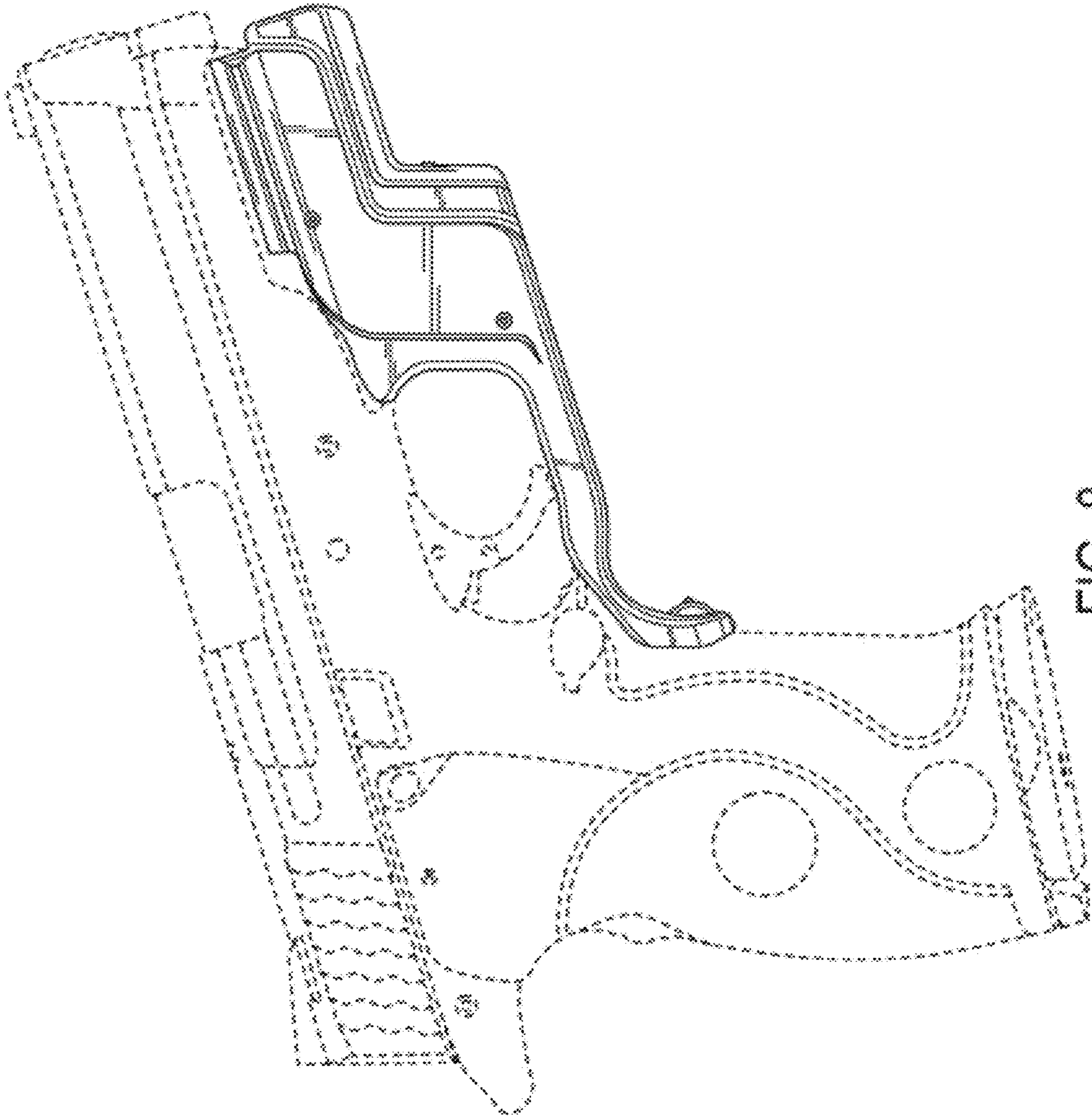


FIG. 8