



US00D669957S

(12) **United States Design Patent**
Hughes et al.

(10) **Patent No.:** **US D669,957 S**
(45) **Date of Patent:** **** Oct. 30, 2012**

(54) **LASER DEVICE**

(75) Inventors: **Daniel L. Hughes**, Wilsonville, OR
(US); **Frederick Karl**, Wilsonville, OR
(US); **Lewis Danielson**, Wilsonville, OR
(US)

(73) Assignee: **Crimson Trace, Inc.**, Wilsonville, OR
(US)

(**) Term: **14 Years**

(21) Appl. No.: **29/391,571**

(22) Filed: **May 10, 2011**

(51) **LOC (9) Cl.** **22-01**

(52) **U.S. Cl.** **D22/108; D22/109**

(58) **Field of Classification Search** D22/108-110,
D22/199; 89/111-133; 359/399, 409-411,
359/823, 744; 42/104, 105, 111-113, 116,
42/120, 124-126, 127-129, 141-148, 133-140;
33/227, 229; D16/130-136; D26/38-39
See application file for complete search history.

(56) **References Cited**

U.S. PATENT DOCUMENTS

5,435,091 A 7/1995 Toole et al.
5,706,600 A 1/1998 Toole et al.
6,146,141 A * 11/2000 Schumann 434/11
7,260,910 B2 8/2007 Danielson

7,472,830 B2 1/2009 Danielson
D603,478 S 11/2009 Hughes
D616,957 S * 6/2010 Rievley et al. D22/110
7,743,547 B2 6/2010 Houde-Walter
7,805,876 B1 10/2010 Danielson et al.
D636,049 S 4/2011 Hughes et al.
D636,837 S 4/2011 Hughes et al.
8,028,461 B2 10/2011 NuDyke
2011/0047850 A1 3/2011 Rievley et al.

* cited by examiner

Primary Examiner — Michael A Pratt

(74) *Attorney, Agent, or Firm* — Schwabe, Williamson &
Wyatt, P.C.

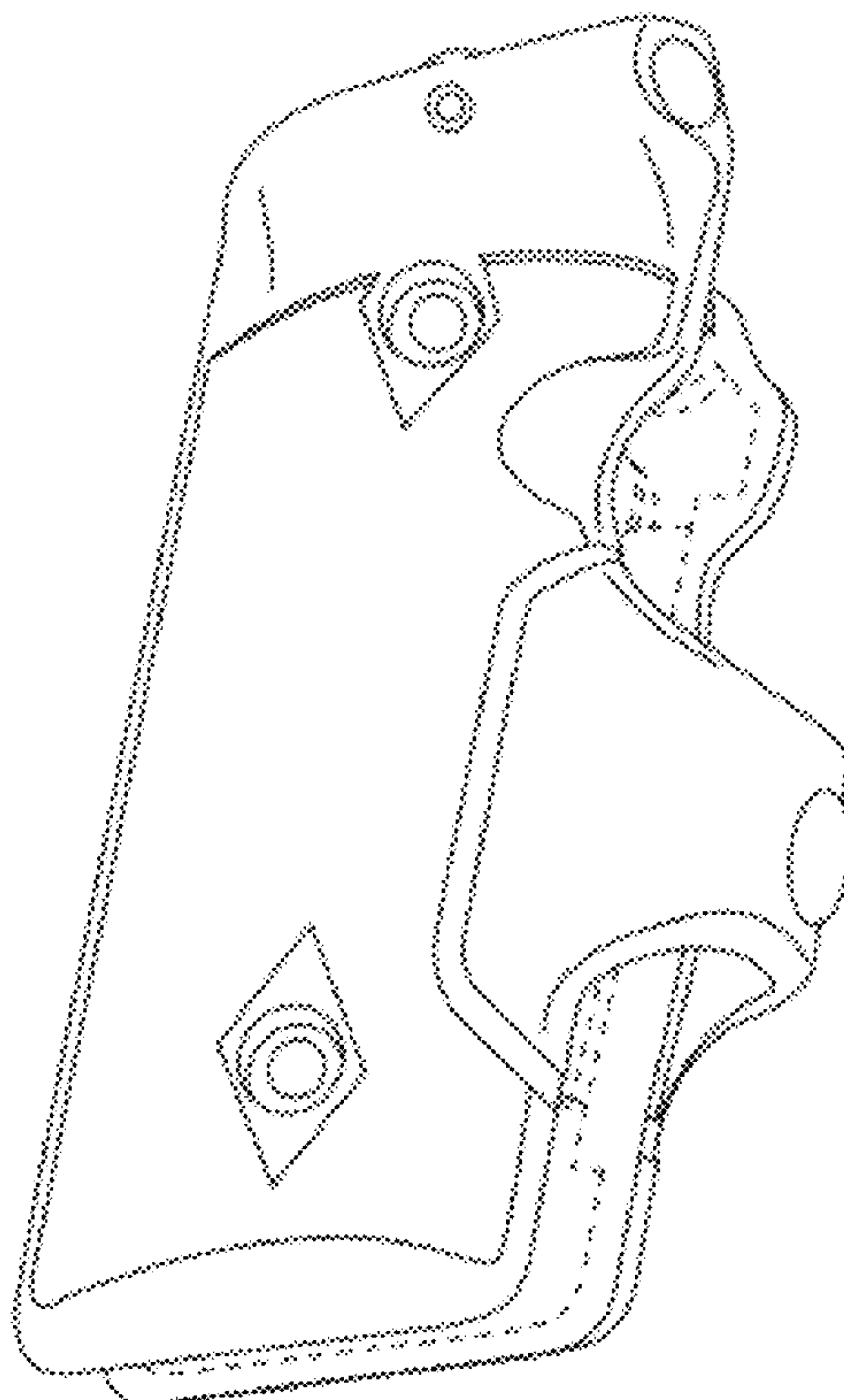
(57) **CLAIM**

We claim an ornamental design for a laser device, as shown
and described.

DESCRIPTION

FIG. 1 is a perspective view of a laser device, showing my new
design;
FIG. 2 is a front view thereof;
FIG. 3 is a rear view thereof;
FIG. 4 is a right side view thereof;
FIG. 5 is a left side view thereof;
FIG. 6 is a top view thereof;
FIG. 7 is a bottom view thereof; and,
FIG. 8 is a side perspective view thereof.
The dashed lines are included for illustrating interior and/or
environmental structures and form no part of the claimed
design.

1 Claim, 5 Drawing Sheets



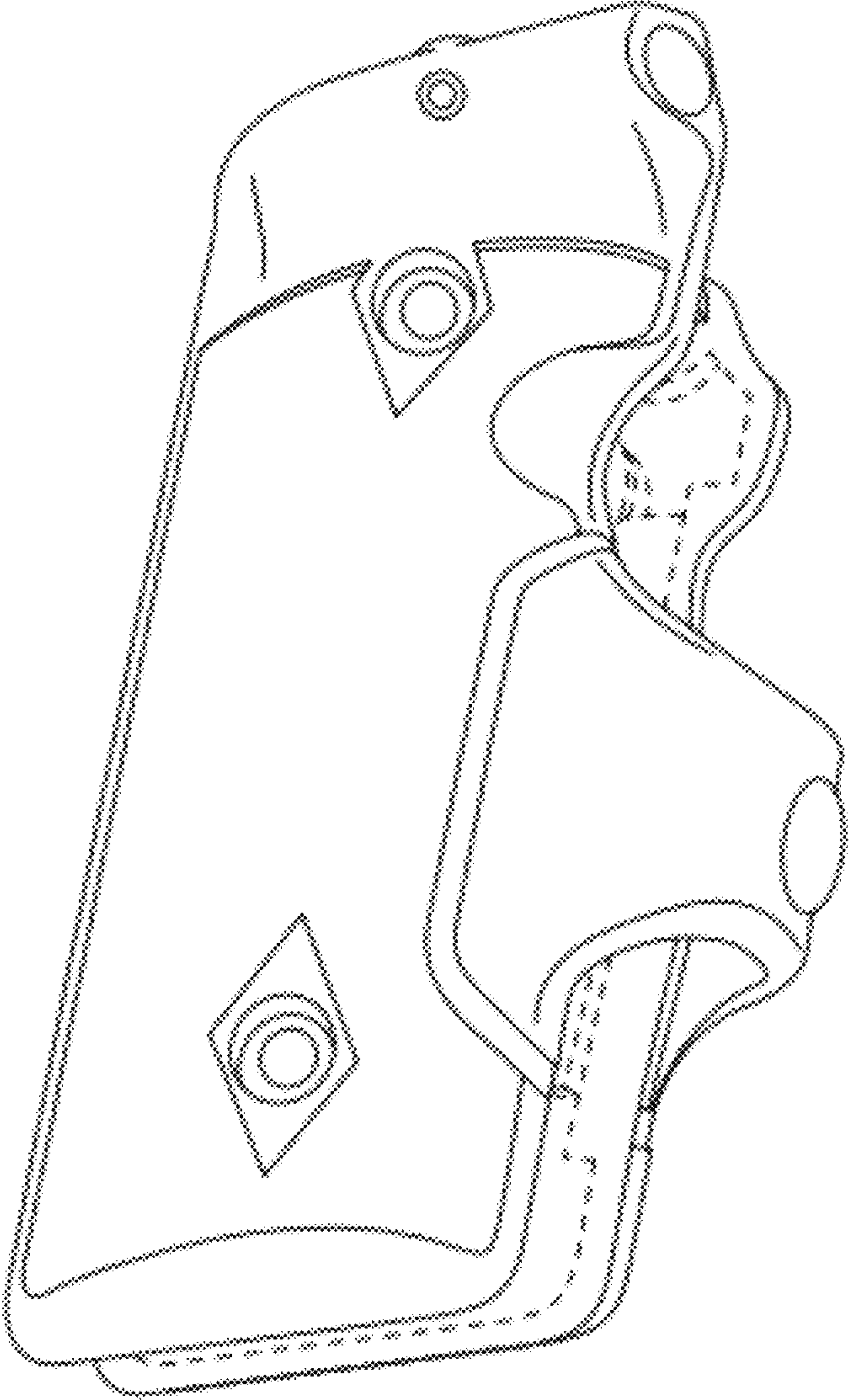


FIG. 1

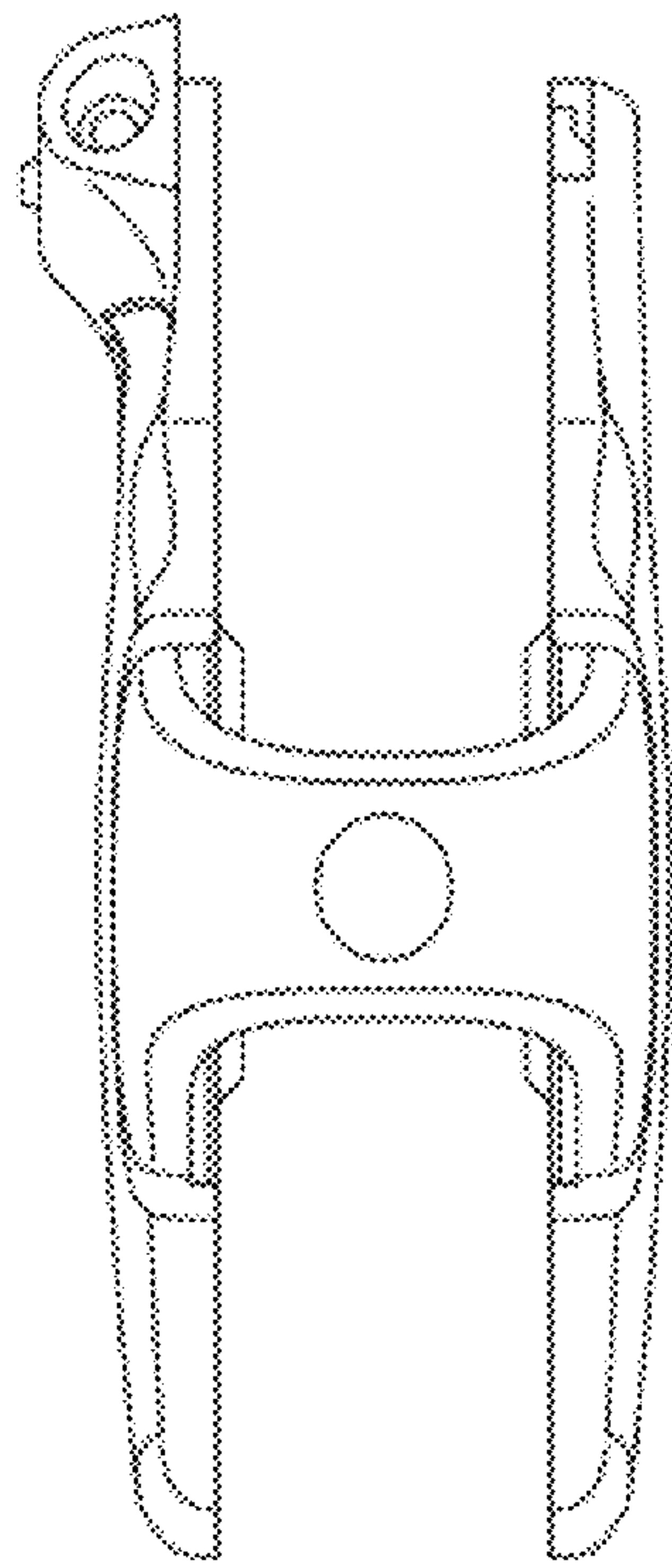


FIG. 2

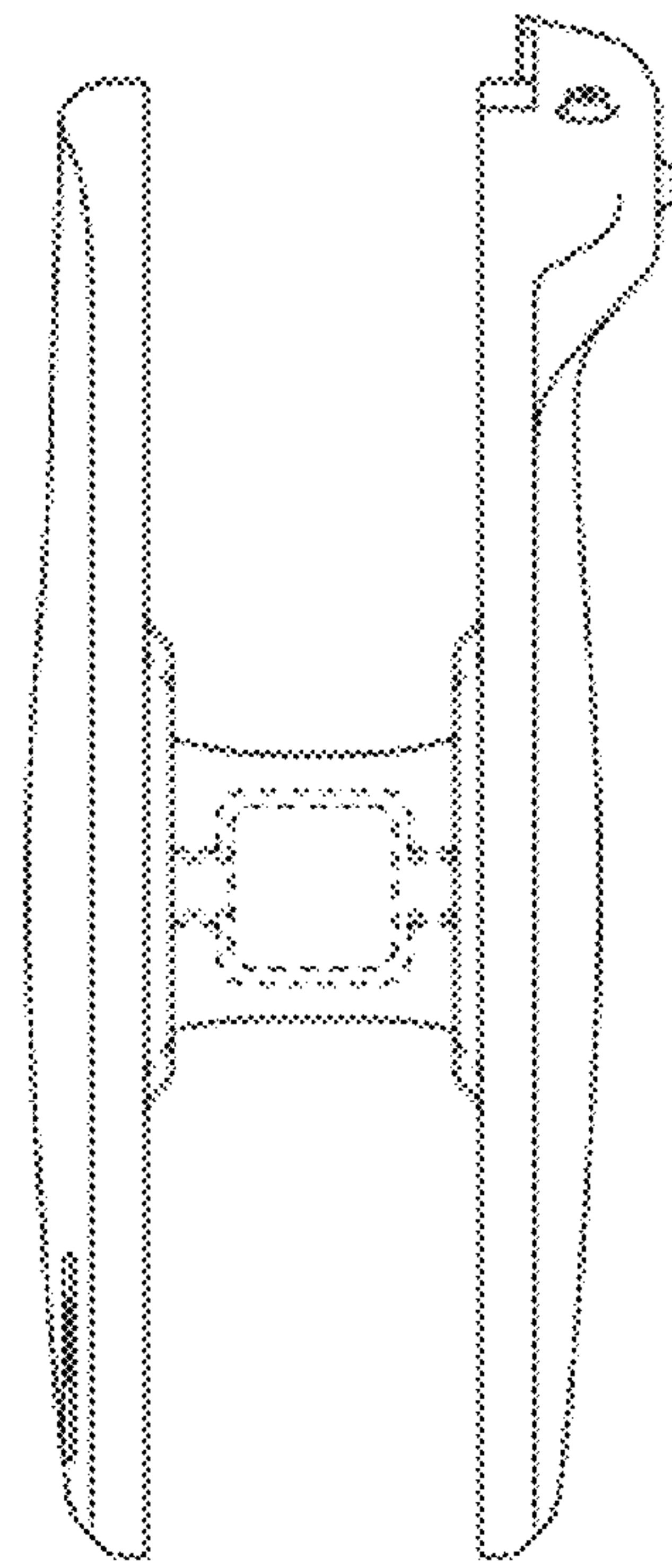


FIG. 3

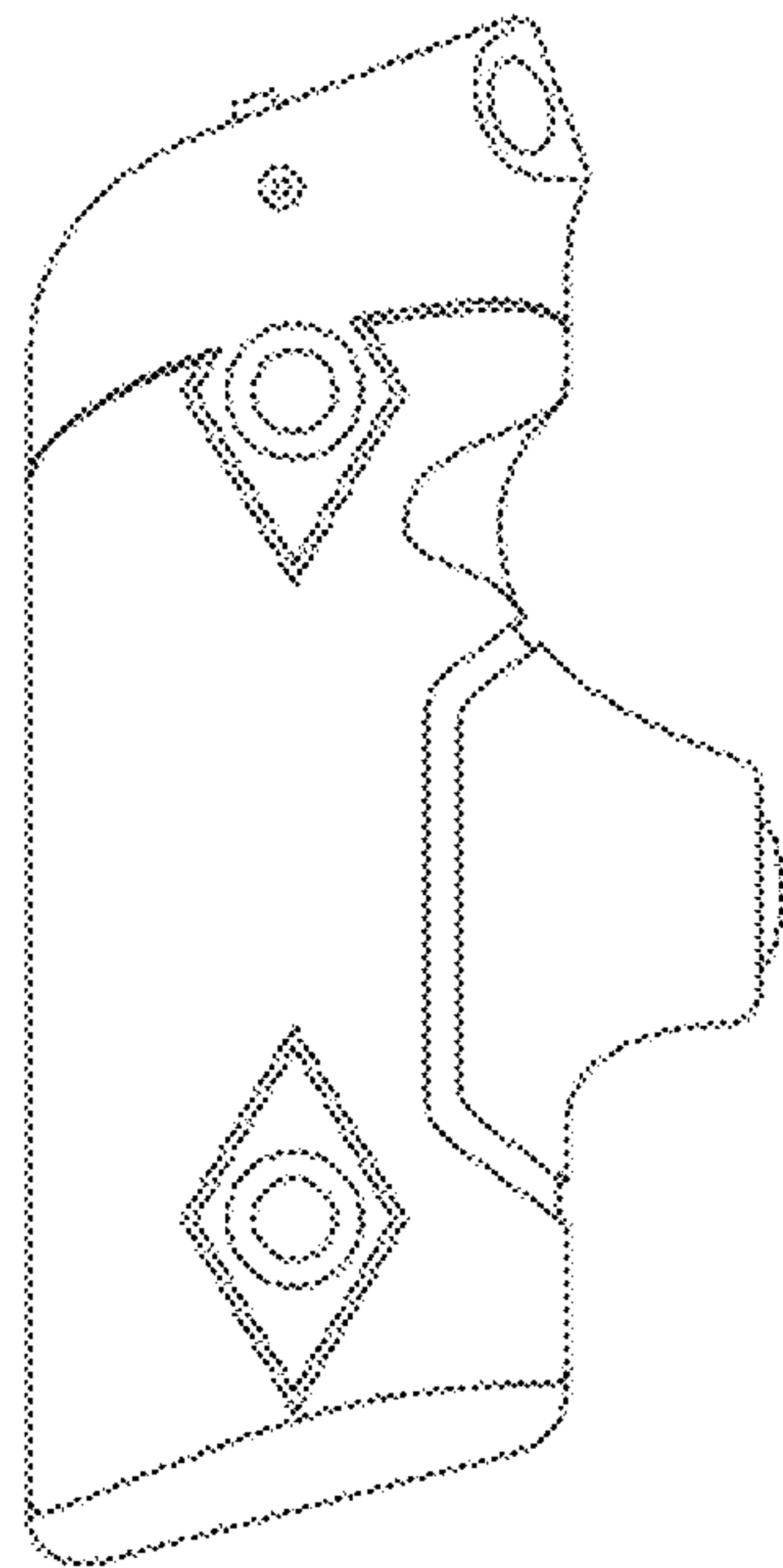


FIG. 4

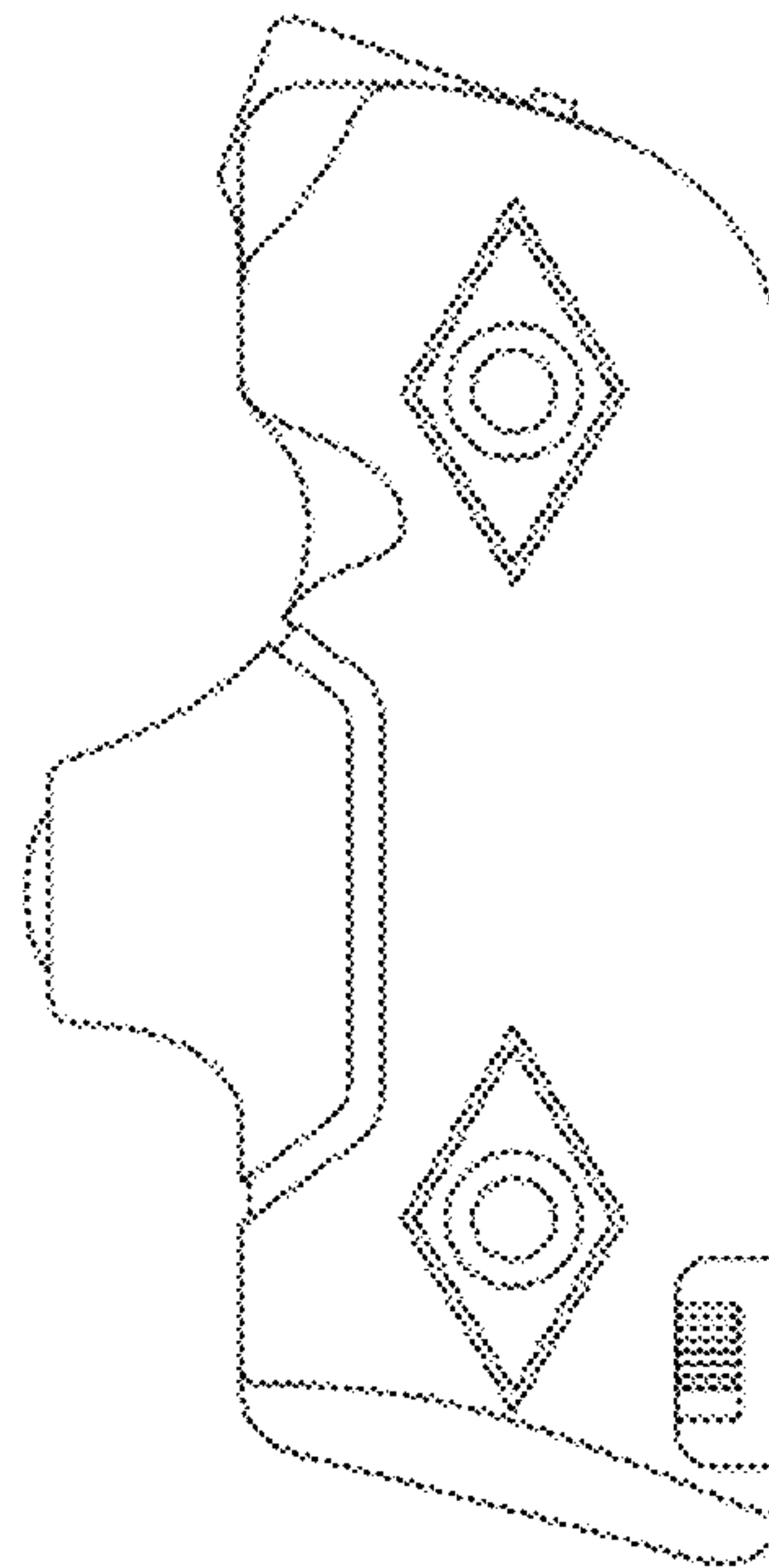


FIG. 5

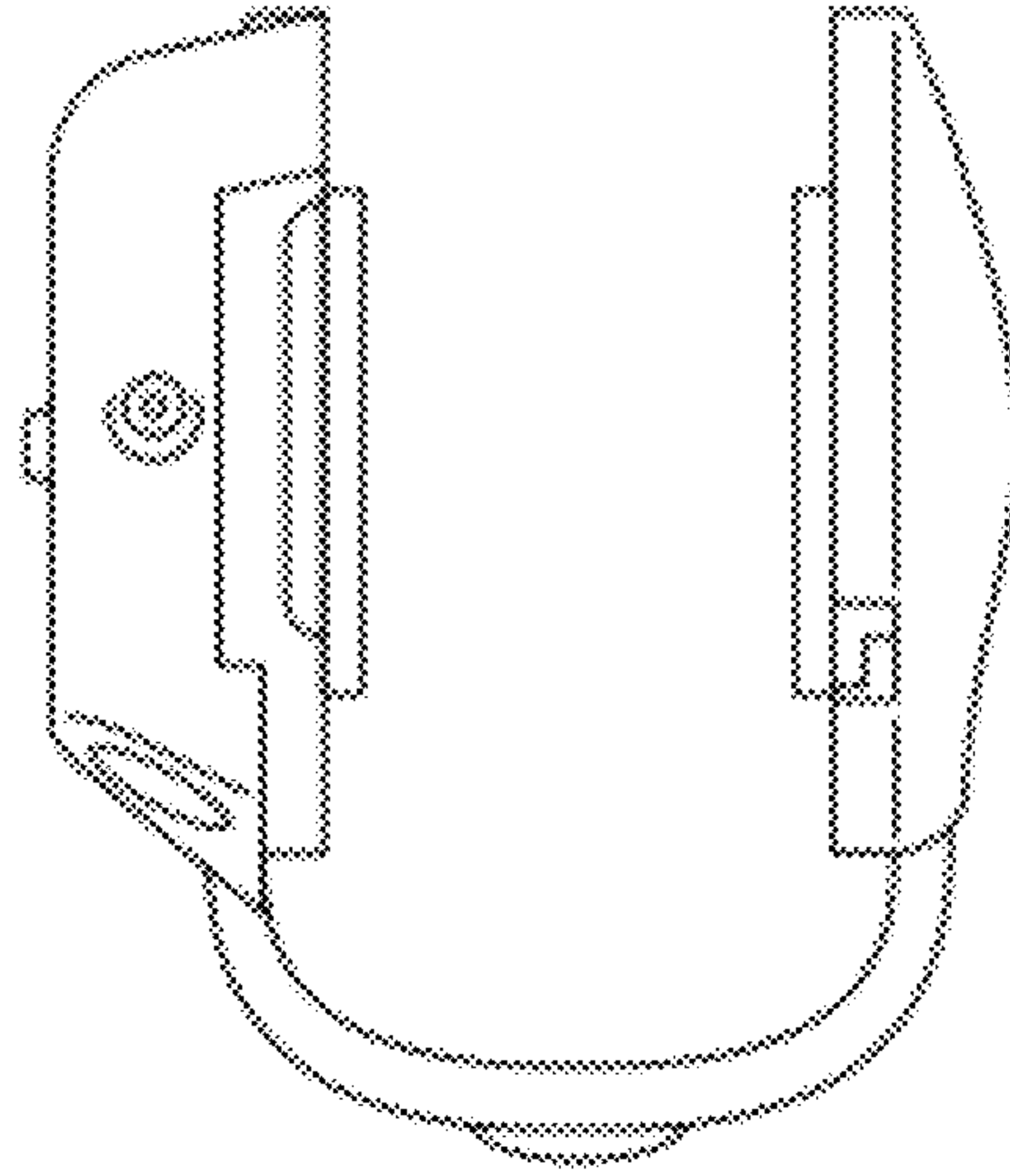


FIG. 6

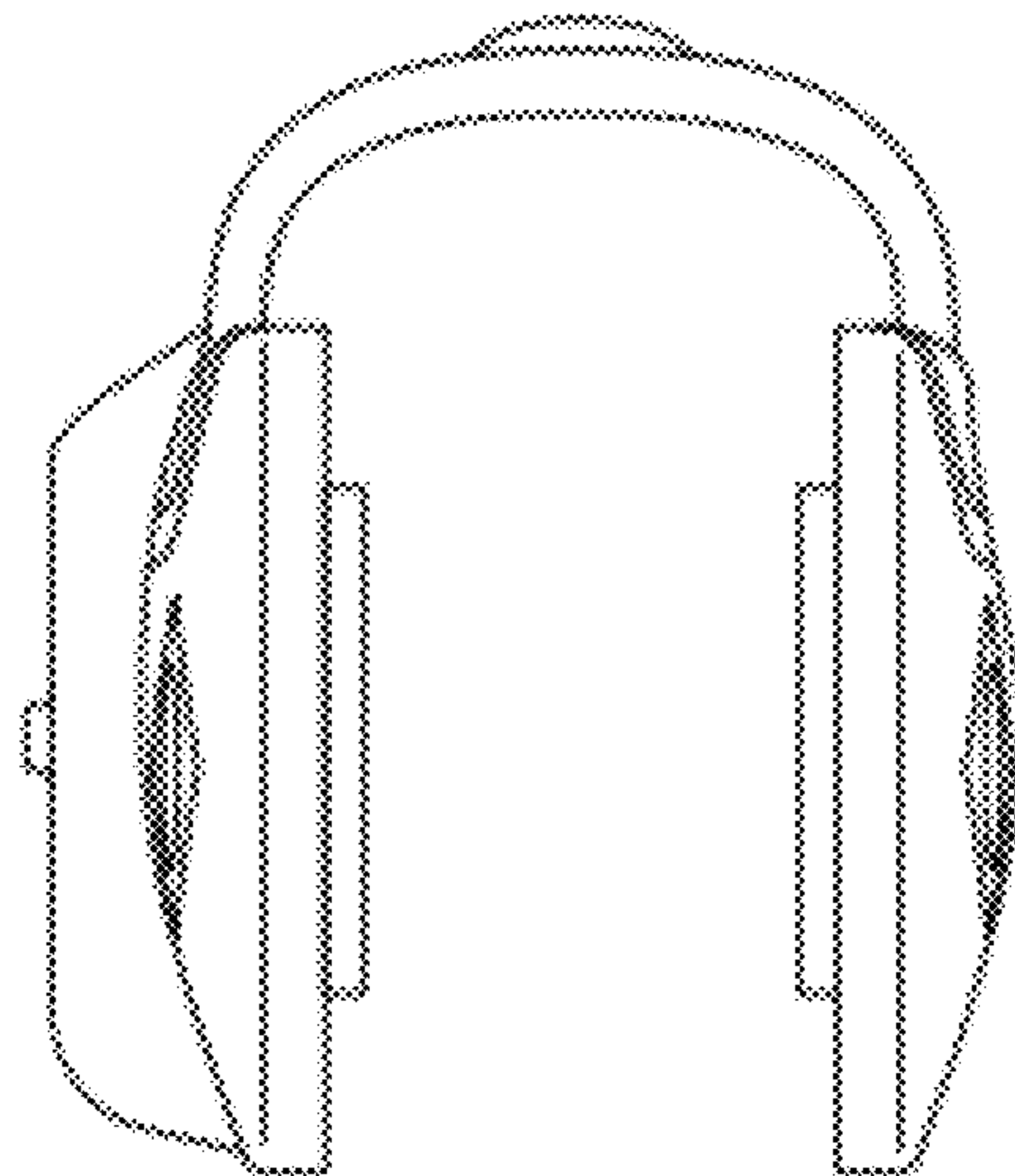


FIG. 7

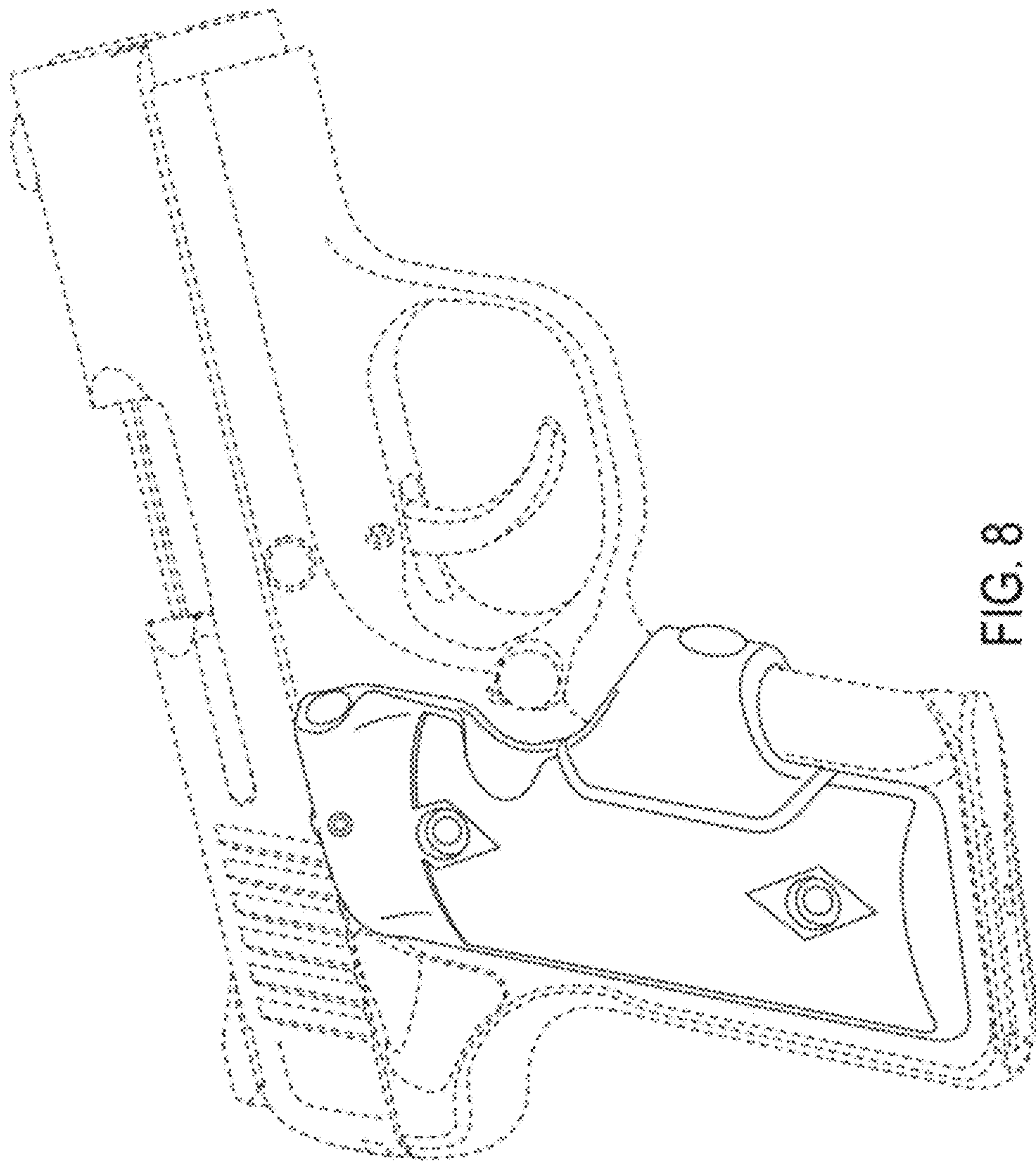


FIG. 8

UNITED STATES PATENT AND TRADEMARK OFFICE
Certificate

Patent No. D669,957 S

Patented: October 30, 2012

On petition requesting issuance of a certificate for correction of inventorship pursuant to 35 U.S.C. 256, it has been found that the above identified patent, through error and without any deceptive intent, improperly sets forth the inventorship.

Accordingly, it is hereby certified that the correct inventorship of this patent is: Drew Essig, Wilsonville, OR (US); Frederick Karl, Wilsonville, OR (US); and Lewis Danielson, Wilsonville, OR (US).

Signed and Sealed this Seventh Day of May 2013.

CELIA MURPHY
Supervisory Patent Examiner
Art Unit 2914
Technology Center 2900