



US00D669955S

(12) **United States Design Patent**
Minica

(10) **Patent No.:** **US D669,955 S**
(45) **Date of Patent:** **** Oct. 30, 2012**

- (54) **ARROW NOCK** 6,123,631 A 9/2000 Ginder
- (75) Inventor: **Stuart Minica**, La Vernia, TX (US) 6,364,499 B1 4/2002 Jones
- (73) Assignee: **DoubleTake Archery LLC**, La Vernia, TX (US) 6,390,642 B1 5/2002 Simonton
- (**) Term: **14 Years** 6,695,727 B1 2/2004 Kuhn
- (21) Appl. No.: **29/425,312** 6,736,742 B2 5/2004 Price et al.
- (22) Filed: **Jun. 21, 2012** 7,021,784 B2 4/2006 DiCarlo
- 7,189,170 B1 3/2007 Korsa et al.
- 7,211,011 B1 5/2007 Sutherland
- 7,374,504 B2 5/2008 Palomaki et al.
- D664,625 S * 11/2010 Huang et al. 473/570
- 2002/0039939 A1 4/2002 Hartman
- 2003/0166425 A1 9/2003 Sutherland et al.

* cited by examiner

Related U.S. Application Data

- (62) Division of application No. 29/383,143, filed on Jan. 12, 2011, now Pat. No. Des. 664,625.
 - (51) **LOC (9) Cl.** **22-01**
 - (52) **U.S. Cl.** **D22/107**
 - (58) **Field of Classification Search** D22/107,
D22/115-116, 199; 124/16-29, 86-92; D8/384,
D8/385, 393
- See application file for complete search history.

Primary Examiner — Michael A Pratt

(74) *Attorney, Agent, or Firm* — Covington & Burling LLP;
Andrea G. Reister; Gregory S. Discher

(57) **CLAIM**

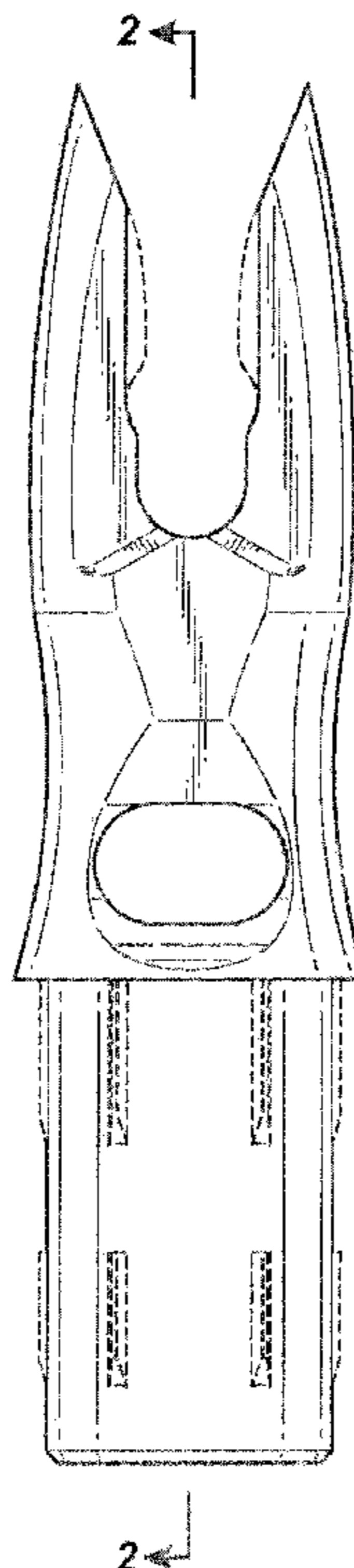
The ornamental design for an arrow nock, as shown and described.

DESCRIPTION

FIG. 1 is a front elevational view of one embodiment of an arrow nock according to the present invention; and, FIG. 2 is a cross sectional view thereof taken on line 2-2 of FIG. 1. The broken lines showing portions of the arrow nock in the drawings are for illustrative purposes only and form no part of the claimed design.

1 Claim, 1 Drawing Sheet

- (56) **References Cited**
- U.S. PATENT DOCUMENTS
- 2,484,589 A 10/1949 Richards
- 2,887,319 A 5/1959 Lay
- 4,003,576 A 1/1977 Carella
- 4,305,588 A 12/1981 Dodge
- D301,272 S 5/1989 Barrow et al.
- 4,856,792 A 8/1989 Hardison
- 5,154,432 A 10/1992 Saunders
- 5,306,020 A 4/1994 Bolf



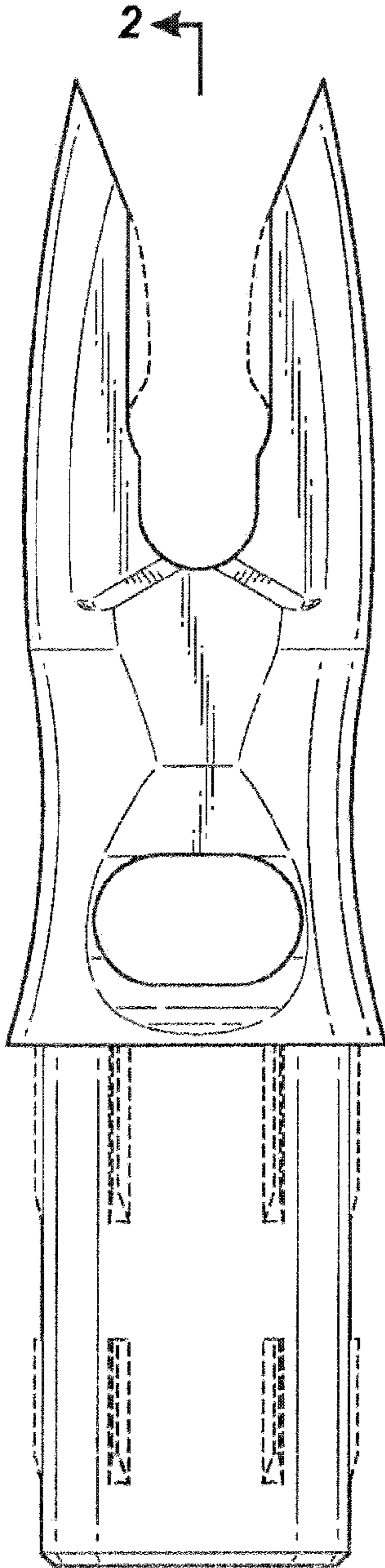


FIG. 1

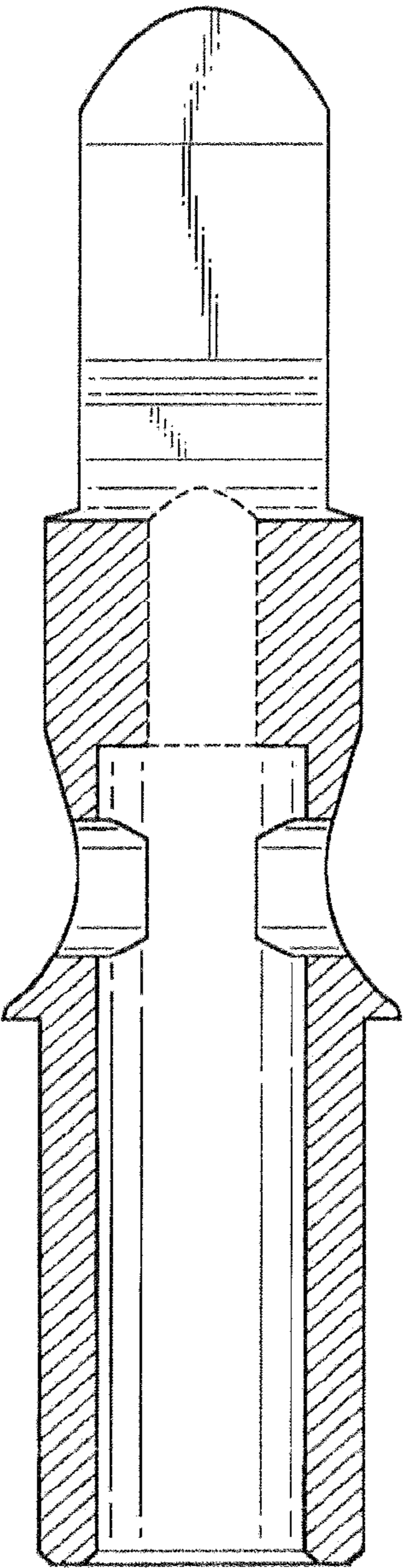


FIG. 2