

US00D669953S

(12) **United States Design Patent**
Gold

(10) **Patent No.:** **US D669,953 S**

(45) **Date of Patent:** **** Oct. 30, 2012**

(54) **GOLF CLUB HOLDER**

(76) Inventor: **Lonny G. Gold**, Highland Park, IL (US)

(**) Term: **14 Years**

(21) Appl. No.: **29/374,400**

(22) Filed: **Aug. 8, 2011**

(51) **LOC (9) Cl.** **21-02**

(52) **U.S. Cl.** **D21/796**

(58) **Field of Classification Search** D21/796,
D21/726, 789, 390; D6/552; 211/70.2, 85.7,
211/60.1; 473/282, 286; D11/95

See application file for complete search history.

(56) **References Cited**

U.S. PATENT DOCUMENTS

236,383	A *	1/1881	Waldeck	264/112
2,410,845	A *	11/1946	Snell et al.	194/212
2,995,011	A *	8/1961	Kimmel	60/255
4,991,839	A *	2/1991	Lumbattis, Jr.	473/282
5,004,443	A *	4/1991	Su	446/392
D319,414	S *	8/1991	Moore	D11/95
5,062,356	A *	11/1991	Frankowski	99/428
5,105,262	A *	4/1992	Grider	257/710
5,116,046	A *	5/1992	Pace	473/286
5,179,919	A *	1/1993	Foltz et al.	123/143 C
5,230,156	A *	7/1993	Patenaude	30/325
5,443,270	A *	8/1995	Loritz	273/290

D364,439	S *	11/1995	Ragusin	D21/796
D377,511	S *	1/1997	Glennon	D21/796
D414,537	S *	9/1999	Crate	D21/796
6,315,133	B1 *	11/2001	Franke	211/70.2
6,964,618	B2 *	11/2005	Klein	473/282
D529,395	S *	10/2006	Terrasi	D21/390
D529,977	S *	10/2006	Chappell	D21/796
D641,822	S *	7/2011	Corbin et al.	D21/796

* cited by examiner

Primary Examiner — Mitchell Siegel

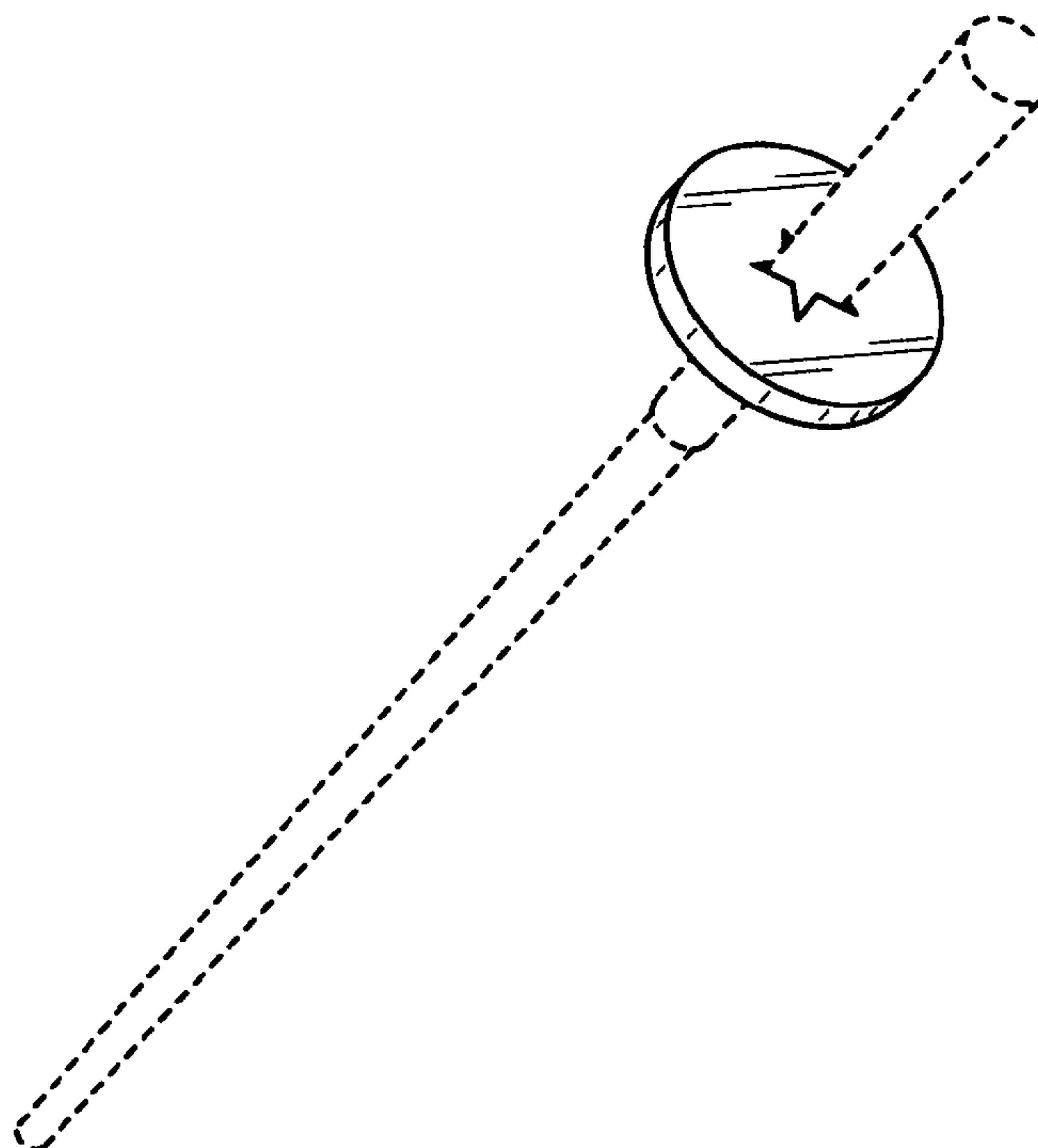
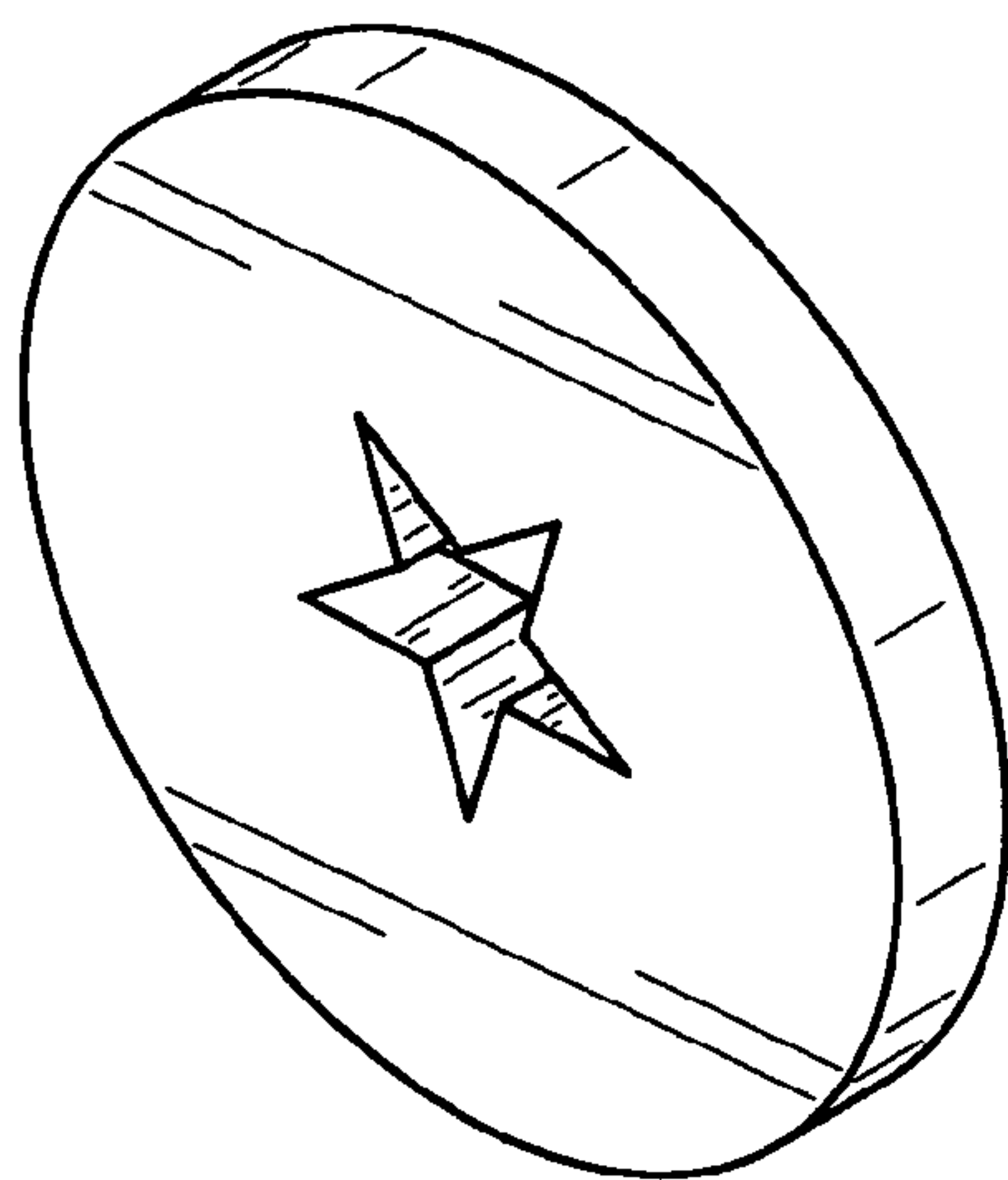
(57) **CLAIM**

The ornamental design for a golf club holder, as shown and described.

DESCRIPTION

FIG. 1 is a front perspective view of a golf club holder; FIG. 2 is a rear perspective view thereof; FIG. 3 is a front elevational view thereof; FIG. 4 is a rear elevational view thereof; FIG. 5 is a right side elevational view thereof; FIG. 6 is a left side elevational view thereof; FIG. 7 is a top plan view thereof; FIG. 8 is a bottom plan view thereof; and, FIG. 9 is a reduced perspective view thereof, the broken line showing of a shaft and handle is for illustrative purposes only and forms no part of the claimed design.

1 Claim, 4 Drawing Sheets



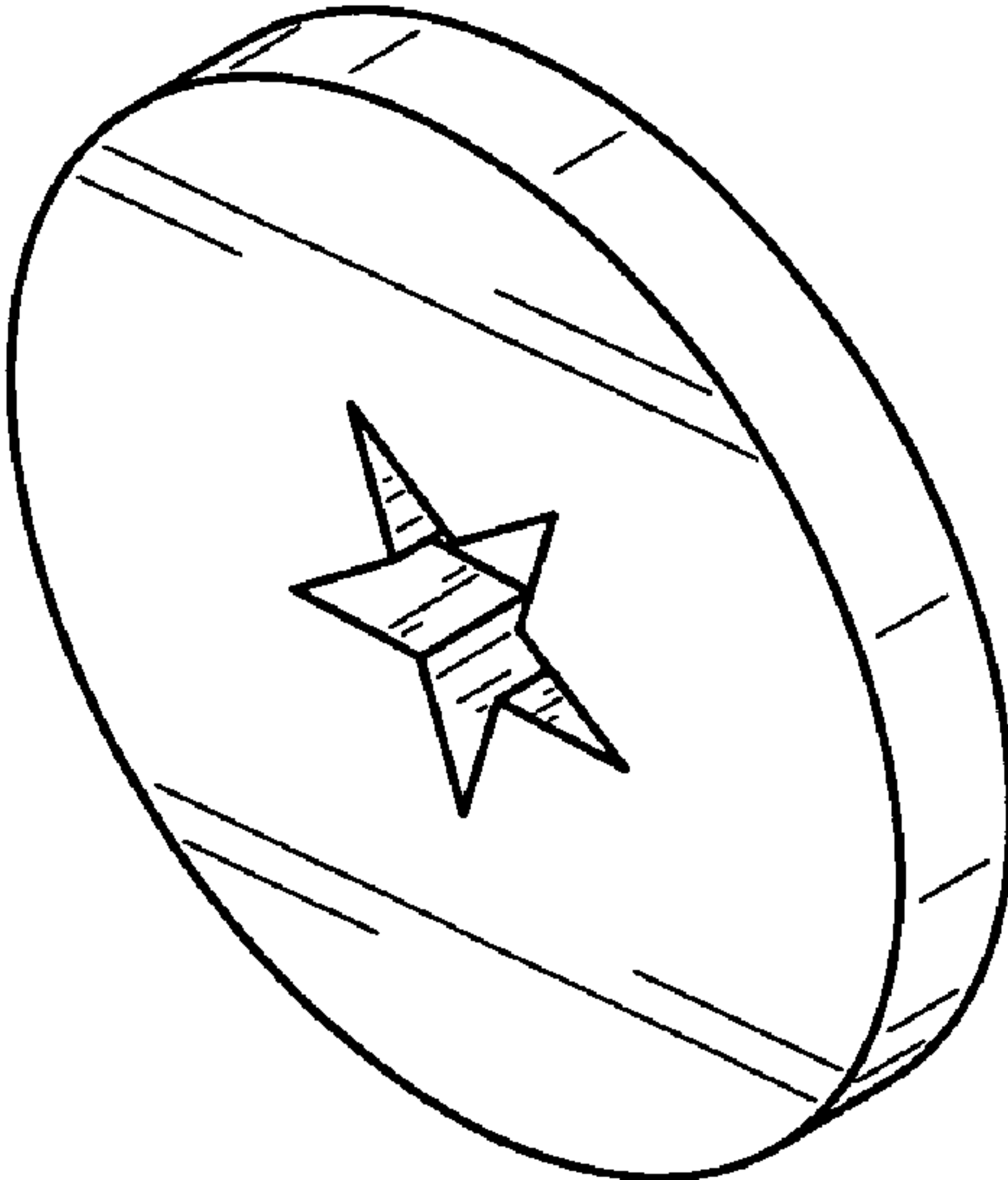


FIG. 1

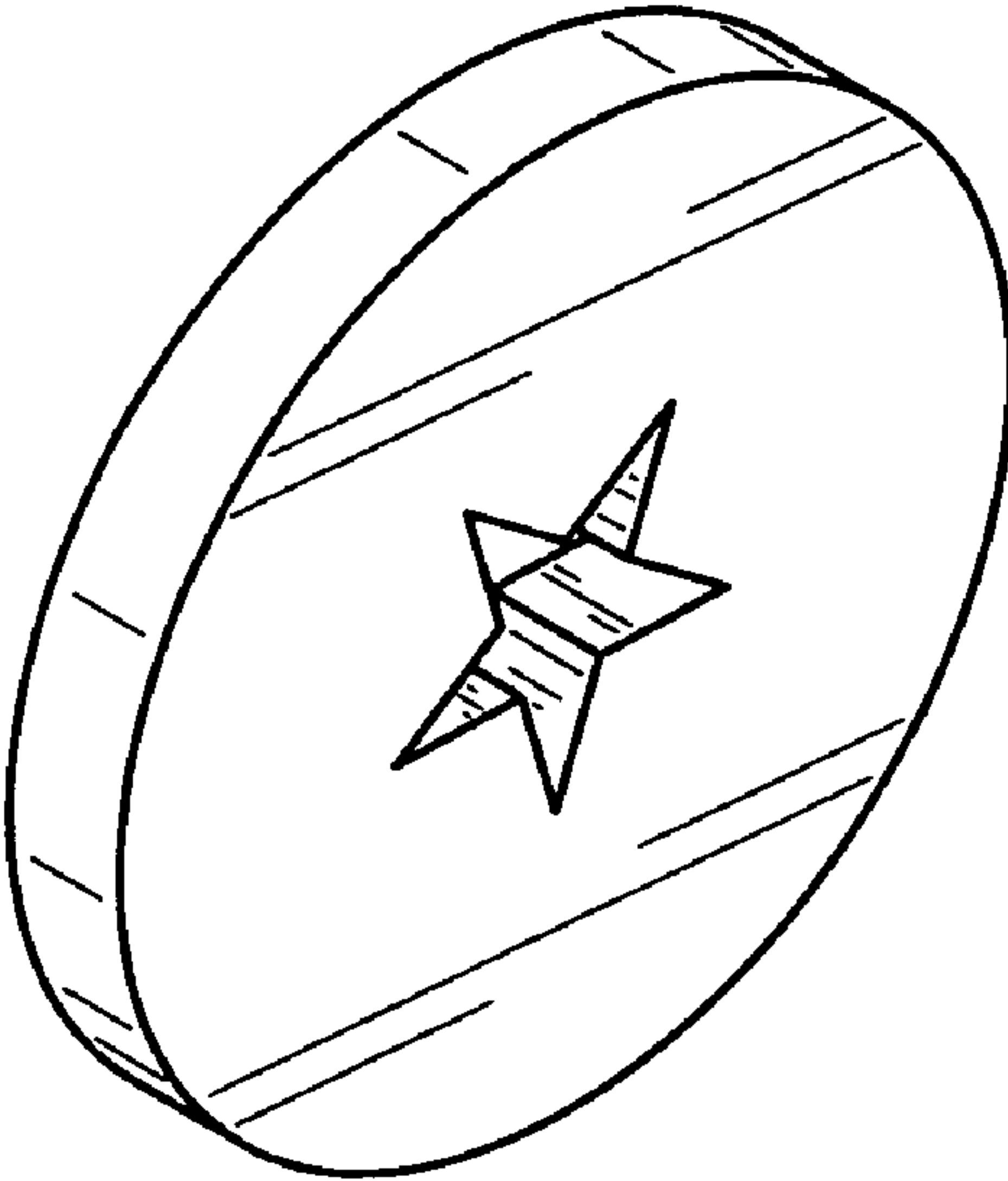


FIG. 2

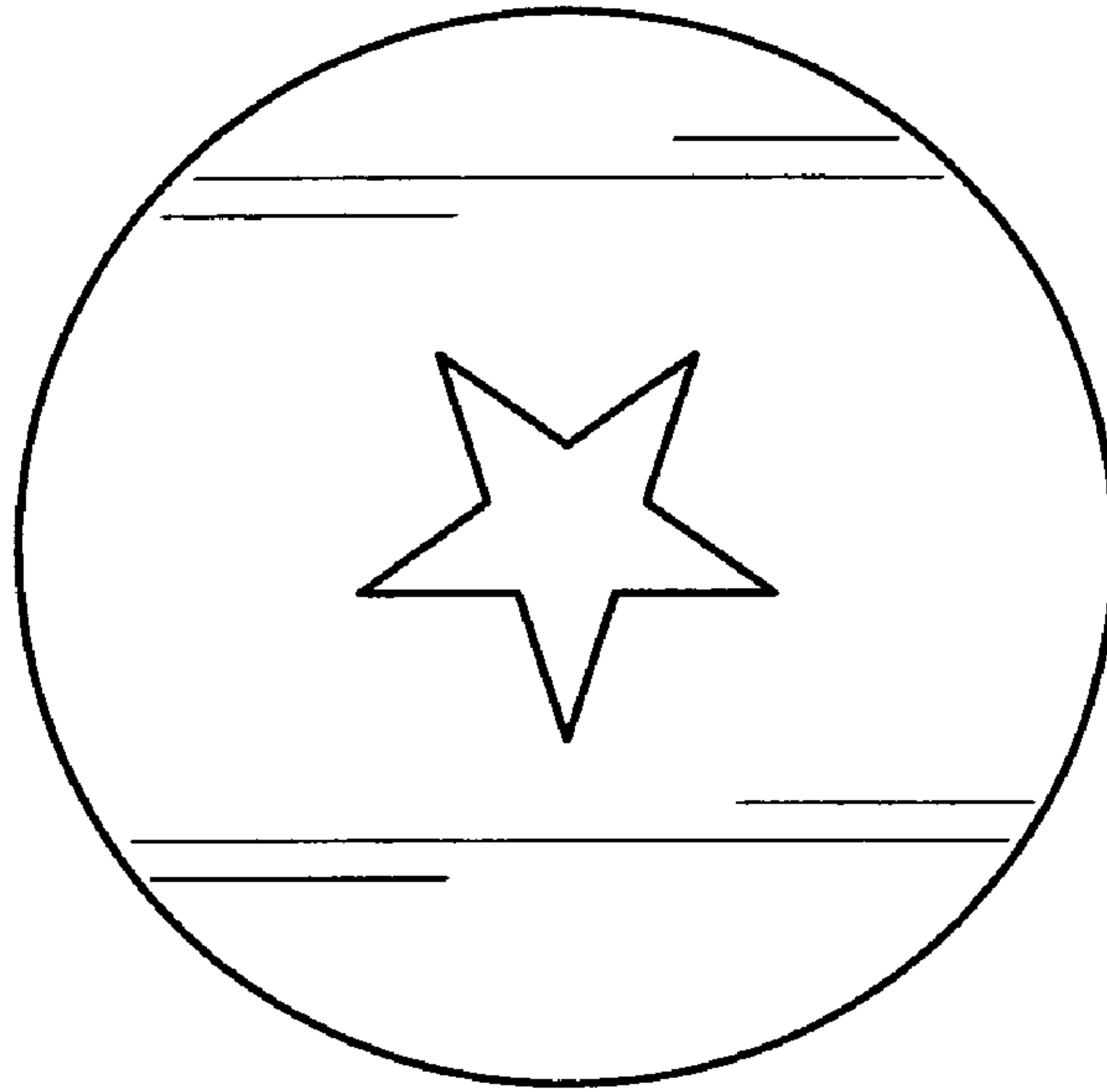


FIG. 3

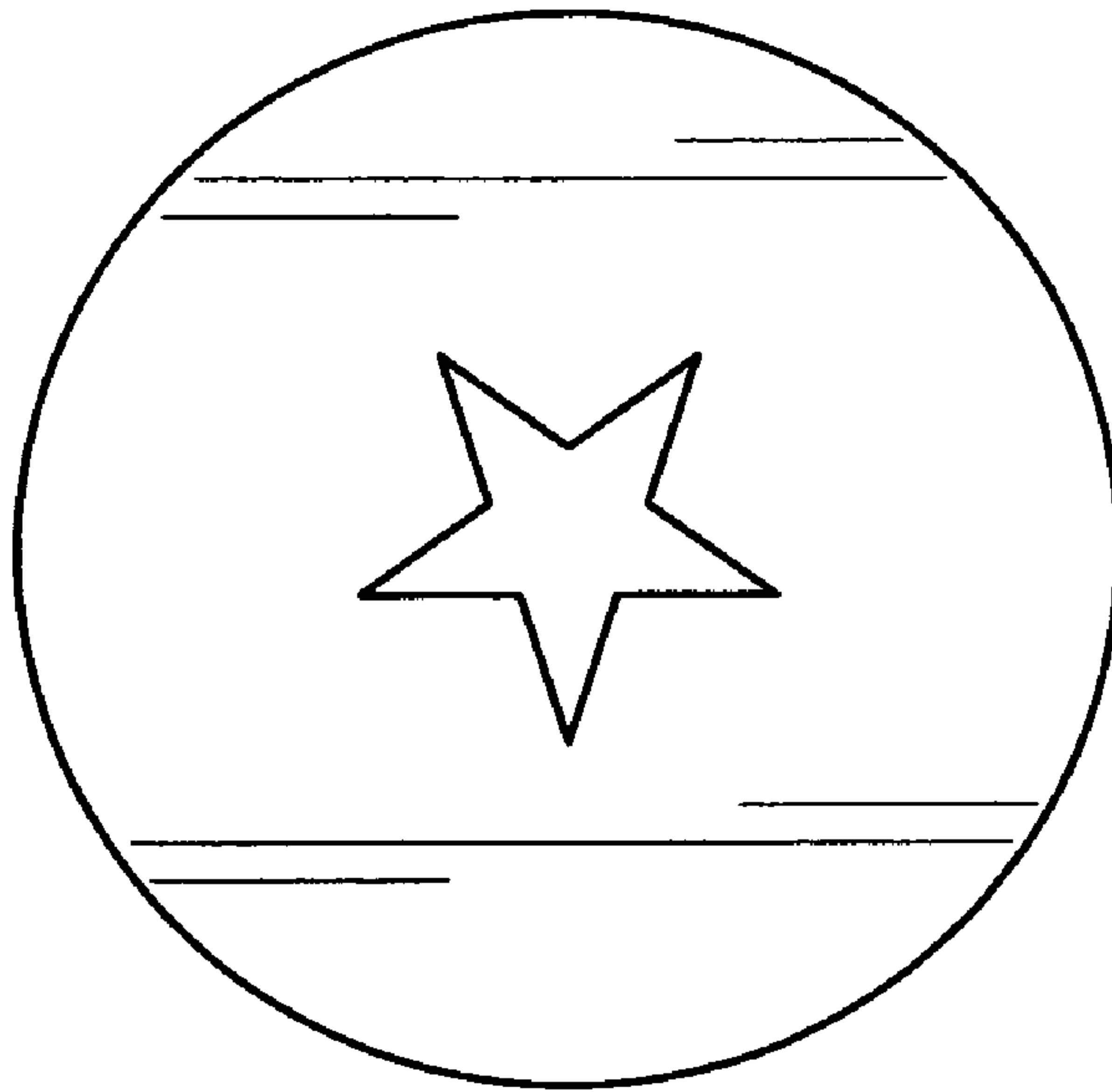


FIG. 4

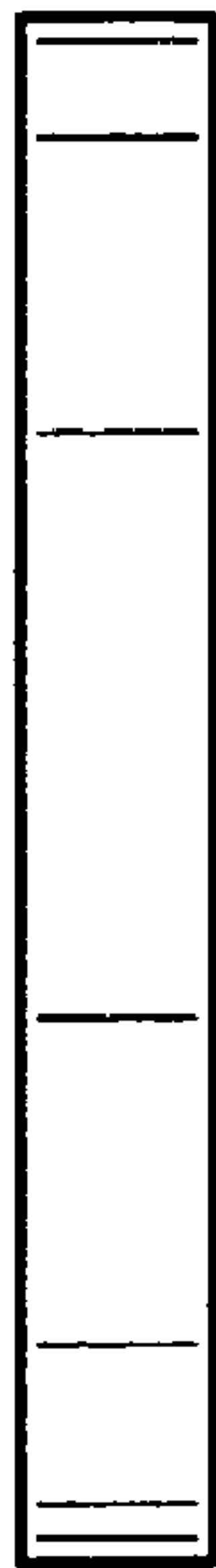


FIG. 5



FIG. 6



FIG. 7



FIG. 8

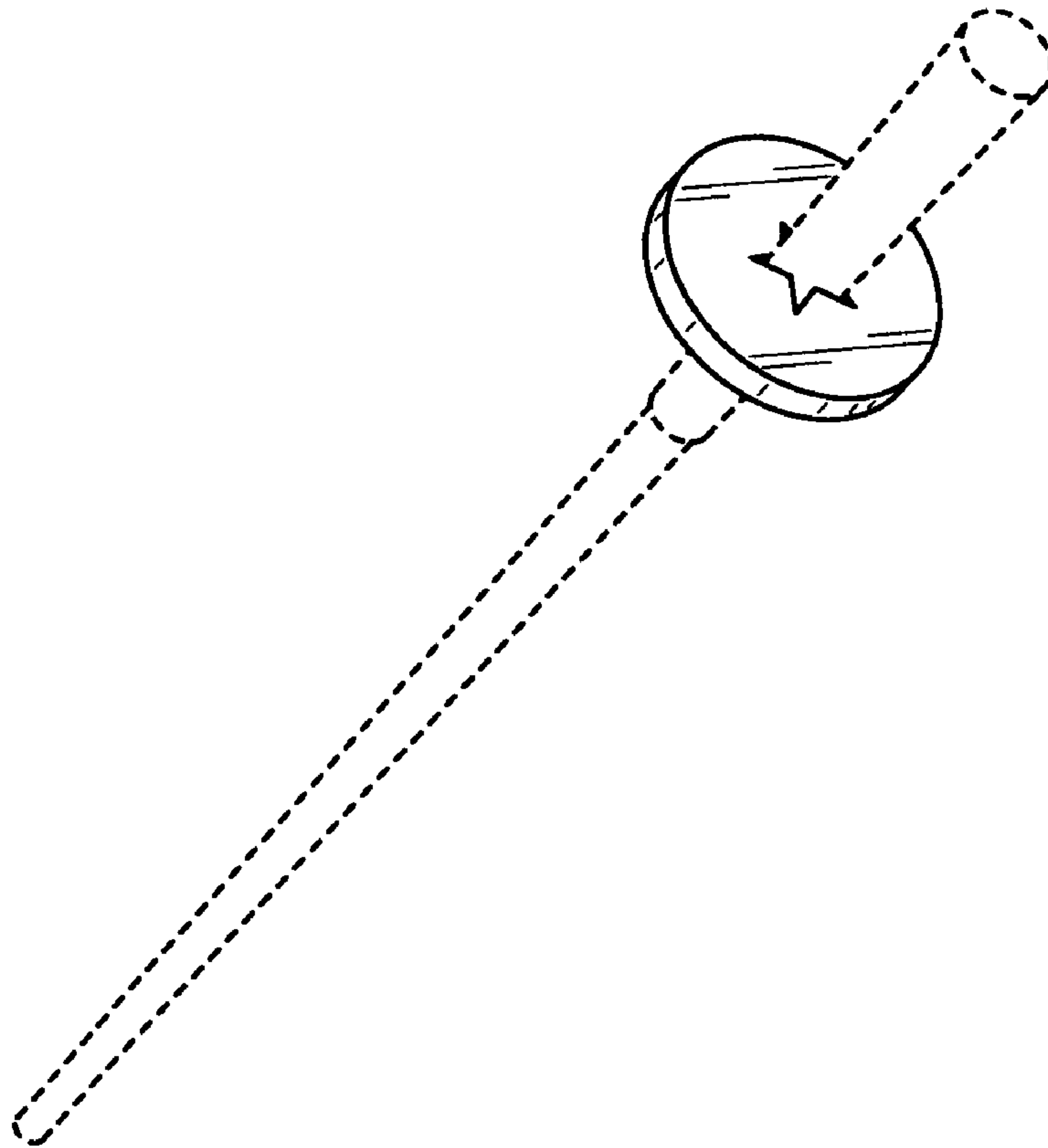


FIG. 9